



US00D588648S

(12) **United States Design Patent**  
**Kanbar**

(10) **Patent No.:** **US D588,648 S**  
(45) **Date of Patent:** **\*\* Mar. 17, 2009**

(54) **MANUAL ROLL DISPENSER WITH AXLE**

JP 2002274716 9/2002

(Continued)

(76) Inventor: **Maurice Kanbar**, 2100 Jackson St., San Francisco, CA (US) 94115

**OTHER PUBLICATIONS**

Print Inform GmgH & Co., a Germany company, 3 photographs of Hand Held Roll Note Dispenser, offered for sale in 1990, pp. 1-3.

(\*\*) Term: **14 Years**

(Continued)

(21) Appl. No.: **29/285,873**

(22) Filed: **Apr. 11, 2007**

*Primary Examiner*—Elizabeth A Albert

*Assistant Examiner*—Karen E Eldridge Powers

(74) *Attorney, Agent, or Firm*—Drinker Biddle & Reath LLP

(51) **LOC (9) Cl.** ..... **19-02**

(52) **U.S. Cl.** ..... **D19/89**

(58) **Field of Classification Search** ..... D6/515,  
D6/518; D19/65, 67, 68, 69, 70, 76, 89,  
D19/99, 100, 75, 90, 91, 92, 95; 118/43;  
211/10, 11; 225/6, 7, 19, 24, 25, 34, 65,  
225/77; 242/422.5

(57) **CLAIM**

The ornamental design for a manual roll dispenser with axle, as shown and described.

See application file for complete search history.

**DESCRIPTION**

FIG. 1 is an isometric view of a manual roll dispenser with axle according to my new design.

(56) **References Cited**

**U.S. PATENT DOCUMENTS**

813,128 A	2/1906	Williams	
1,240,279 A	9/1917	Wilson	
1,572,063 A	2/1926	Black	
D84,067 S	5/1931	Albritton	
D129,126 S *	8/1941	Krueger	D19/68
2,331,019 A	10/1943	Flood	
2,424,486 A *	7/1947	Miller	225/25
D151,072 S	9/1948	Saffert	
2,488,492 A *	11/1949	Dumbleton	242/421.8
2,495,389 A	1/1950	Sammann	101/288
D162,059 S	2/1951	Morris	
2,566,733 A	9/1951	Krueger	164/84.5
2,617,198 A	11/1952	Sharpe	33/131
2,663,510 A *	12/1953	Rodgers	225/65
2,737,149 A *	3/1956	Collins, Jr. et al.	118/43
D181,269 S	10/1957	Axccl	
3,065,889 A	11/1962	Grosser	225/8

FIG. 2 is a front view of the manual roll dispenser with axle of FIG. 1.

FIG. 3 is a rear view of the manual roll dispenser with axle of FIG. 1.

FIG. 4 is a top view of the manual roll dispenser with axle of FIG. 1.

FIG. 5 is a bottom view of the manual roll dispenser with axle of FIG. 1.

FIG. 6 is a left side view of the manual roll dispenser with axle of FIG. 1, the right side view being a mirror image.

FIG. 7 is an isometric view of the manual roll dispenser with axle of FIG. 1 illustrating in the dispenser with a full axle in phantom; and,

FIG. 8 is a top view of the manual roll dispenser with axle of FIG. 7 illustrating the full axle in phantom.

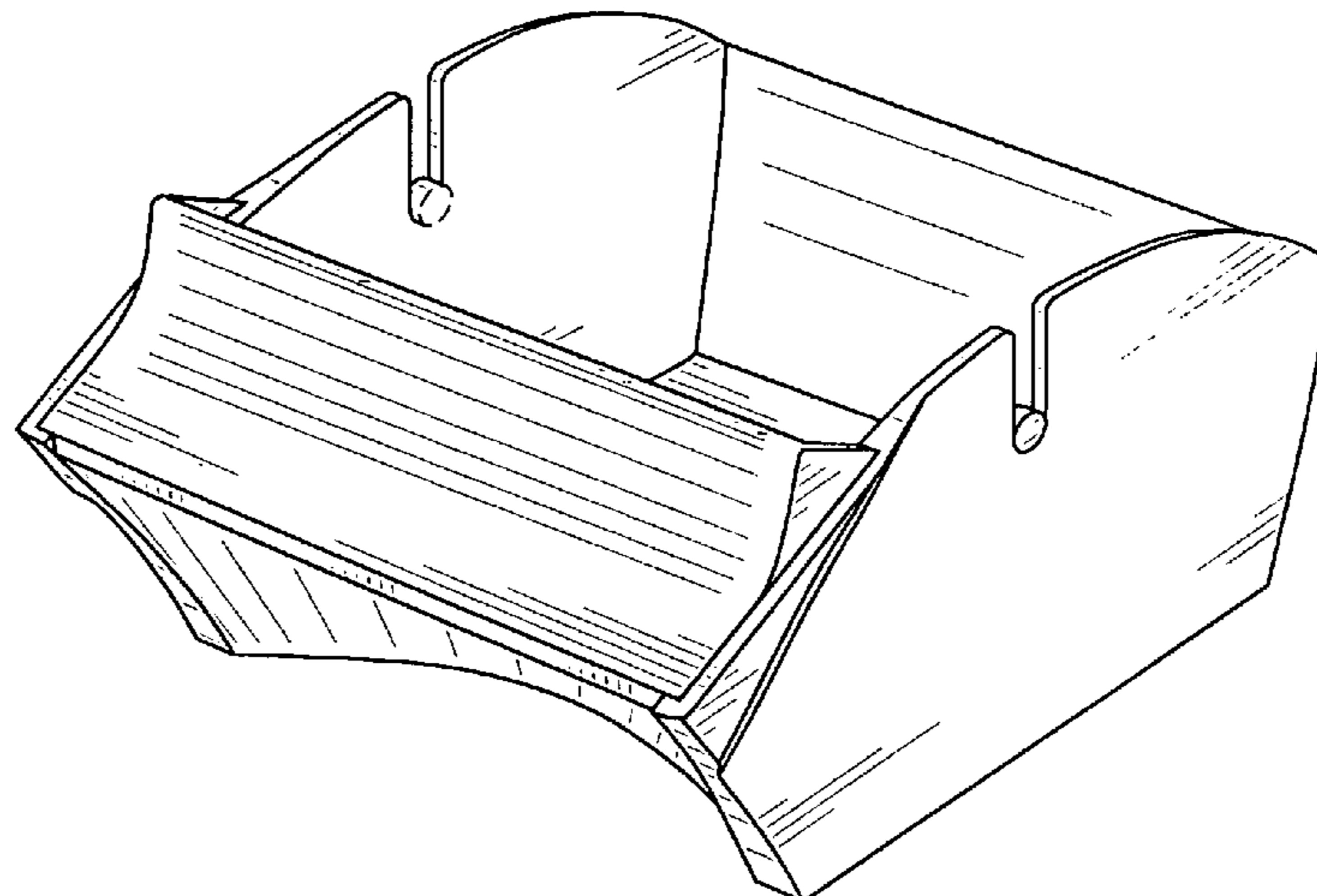
The portions of the drawings appearing in broken lines are for environment only and do not form a part of the claimed design.

(Continued)

**FOREIGN PATENT DOCUMENTS**

JP 2002238800 8/2002

**1 Claim, 6 Drawing Sheets**



# US D588,648 S

Page 2

## U.S. PATENT DOCUMENTS

3,507,428	A	4/1970	Leibreich .....	225/11	D365,369	S	*	12/1995	Koch .....	D19/89	
3,516,615	A	6/1970	Wickenberg		5,478,000	A		12/1995	Jensen .....	225/93	
3,626,491	A	12/1971	Grosser .....	225/11	5,540,369	A		7/1996	Boreali et al. ....	225/4	
3,730,409	A	5/1973	Ratti .....	225/14	5,549,232	A		8/1996	Scholfield		
D230,637	S	3/1974	Clement		D393,002	S	*	3/1998	Mandar .....	D19/78	
D249,352	S	9/1978	Kirchhoff		5,904,283	A		5/1999	Kanbar .....	225/10	
4,327,875	A	5/1982	Lightfoot		D414,208	S	*	9/1999	Eddy et al. ....	D19/76	
D273,644	S	5/1984	Colavito et al.		6,210,768	B1		4/2001	Blok et al. ....	428/41.8	
4,625,901	A	12/1986	Adelizi .....	225/1	6,412,655	B1		7/2002	Stuetzel et al.		
4,630,765	A	12/1986	Samuleson et al. ....	225/96	D477,915	S	*	8/2003	Slight .....	D3/313	
4,646,956	A	3/1987	Ruff et al. ....	225/77	D481,944	S	*	11/2003	Kotto .....	D9/431	
4,676,131	A	6/1987	Cassia		6,745,927	B2		6/2004	Formon et al.		
D299,658	S	*	1/1989	Vasilakes et al. ....	D19/69	D500,087	S	*	12/2004	Siegel .....	D19/69
D308,891	S	6/1990	Harris		6,892,620	B2		5/2005	Kapiloff		
4,989,801	A	2/1991	Thomas et al.		6,895,848	B1		5/2005	Svensson		
D325,394	S	4/1992	Ishii		D528,601	S	*	9/2006	Crawford et al. ....	D19/69	
D327,192	S	6/1992	Geuvjehizian		D544,918	S	*	6/2007	Kanbar .....	D19/89	
D329,464	S	9/1992	Hu		D571,134	S	*	6/2008	Collado .....	D6/518	
D351,859	S	*	10/1994	Elstein et al. ....	D19/69						
5,370,916	A	12/1994	Olsen .....	428/40							
5,417,783	A	5/1995	Boreali et al. ....	156/64							
5,452,832	A	9/1995	Niada								
D364,645	S	11/1995	Koch								

## OTHER PUBLICATIONS

Z-International Roll Notes Web Page showing products known to be publicly available prior to Sep. 2005, pp. 1-2.

\* cited by examiner

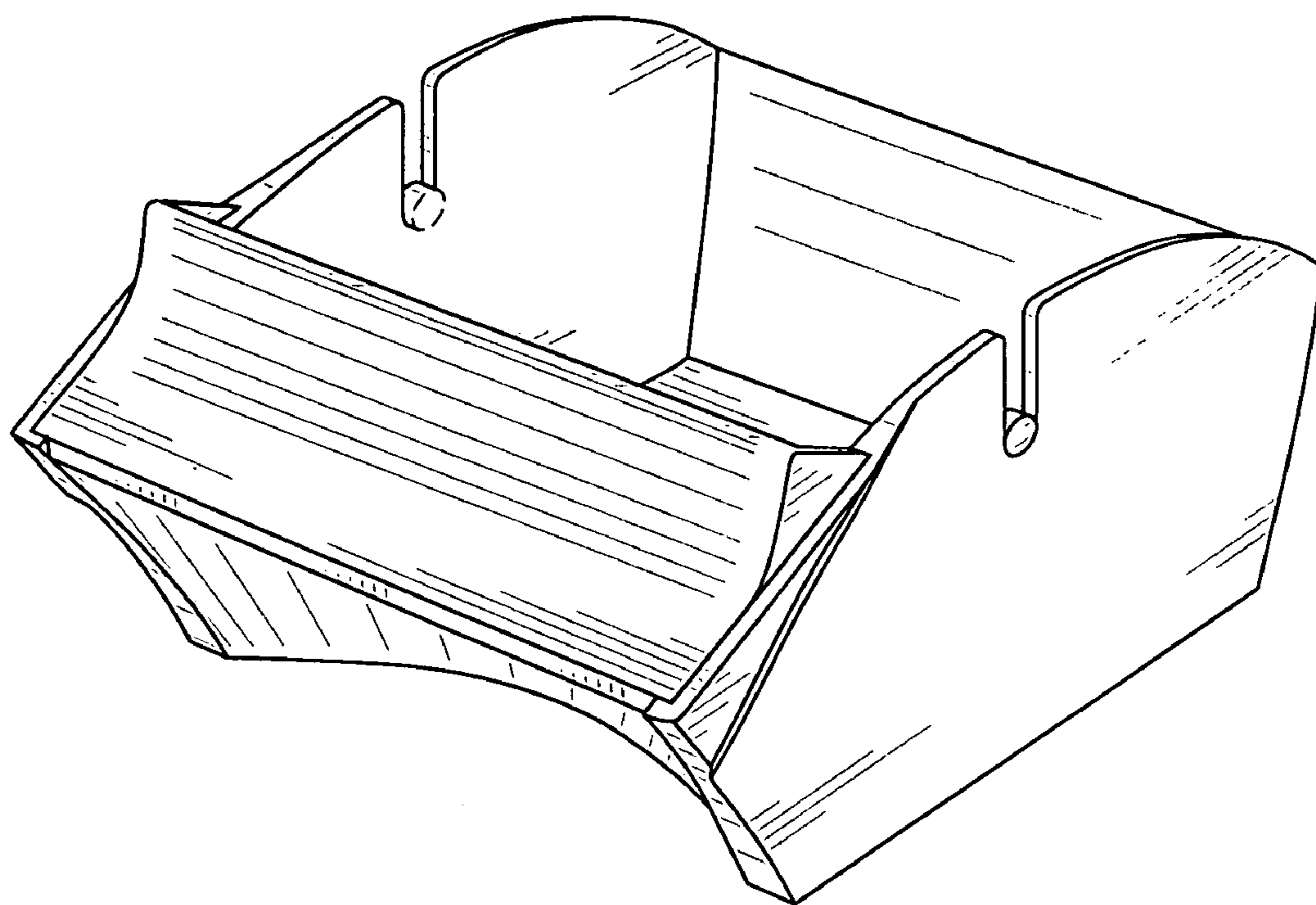


FIG. 1

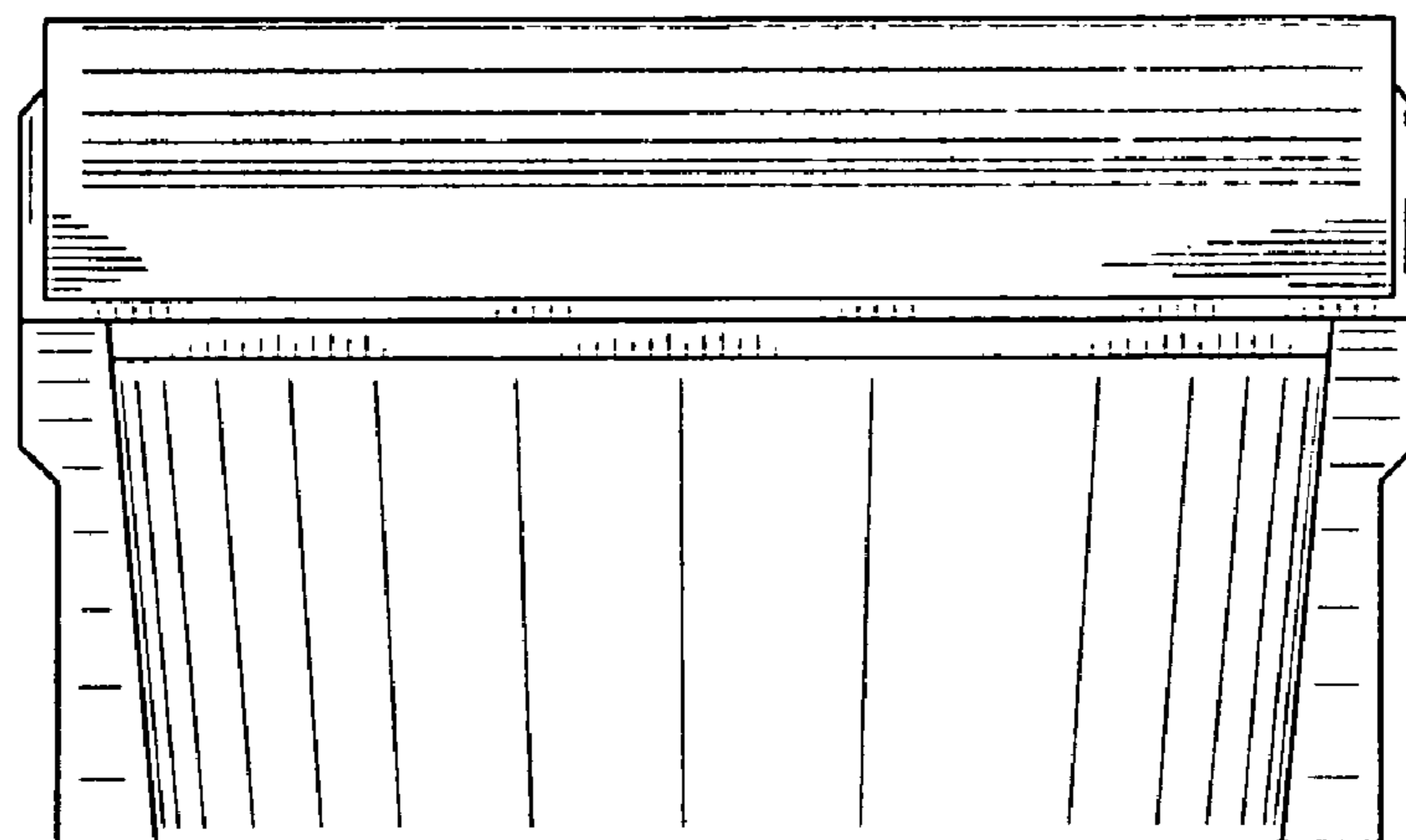


FIG. 2

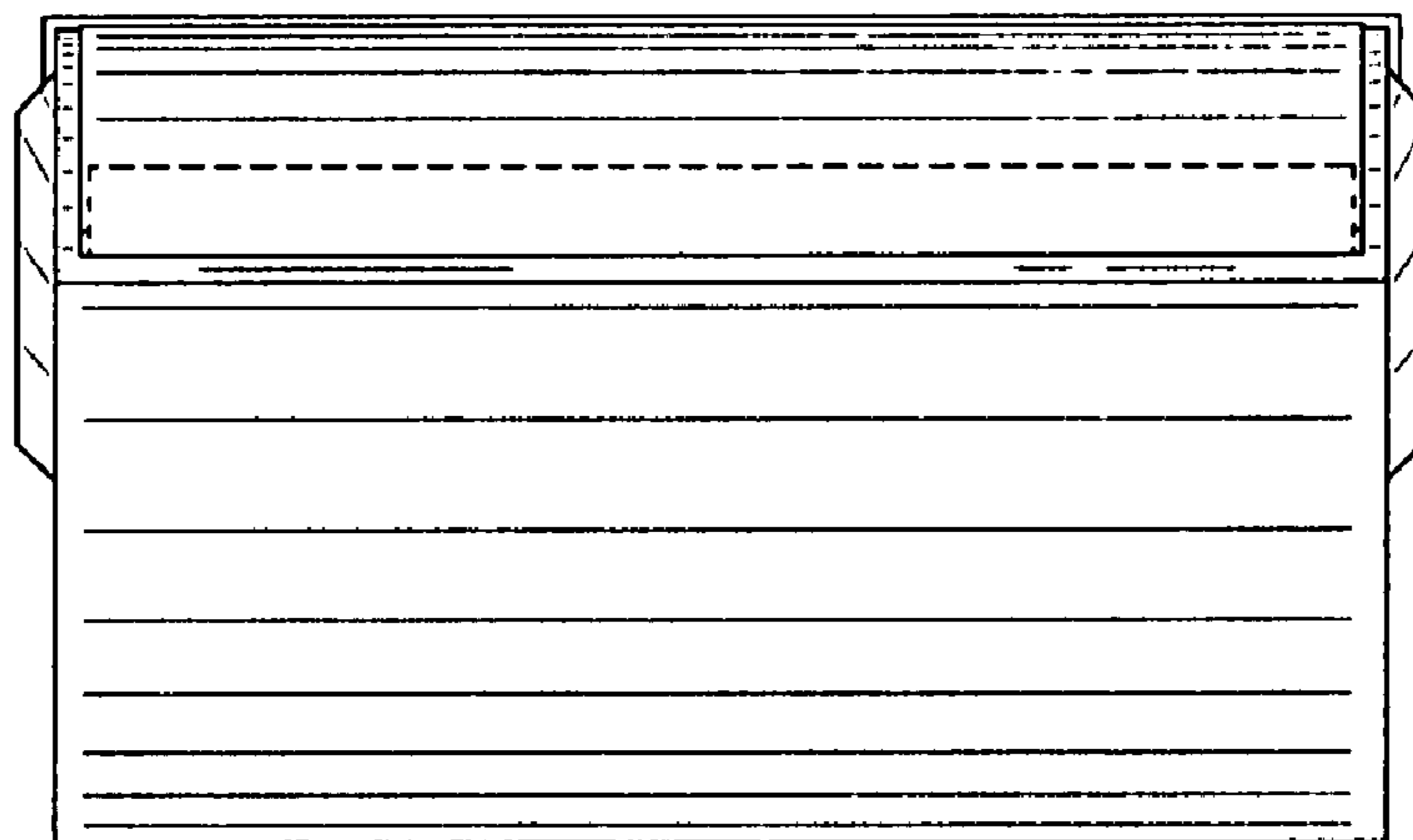


FIG. 3

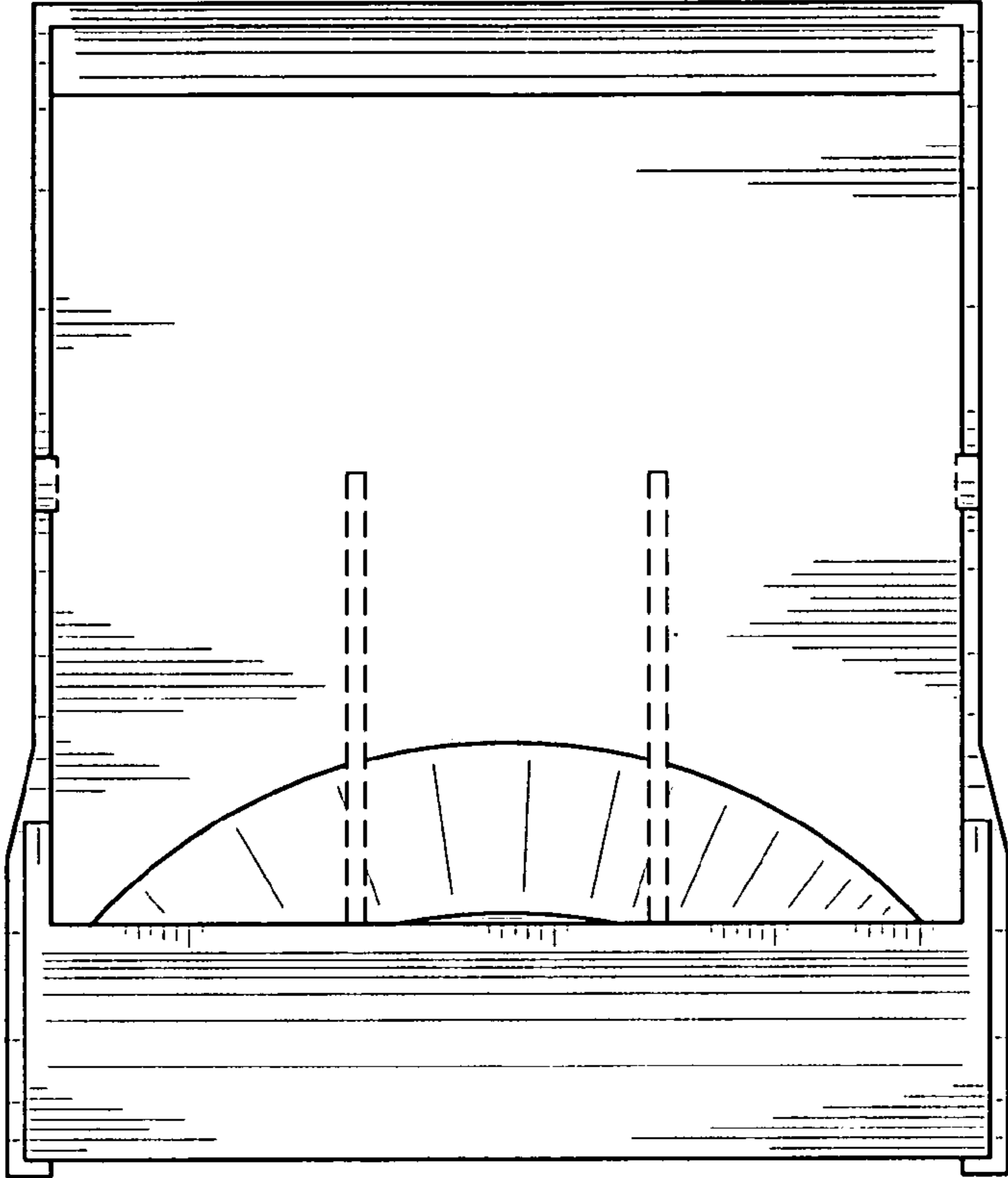


FIG. 4

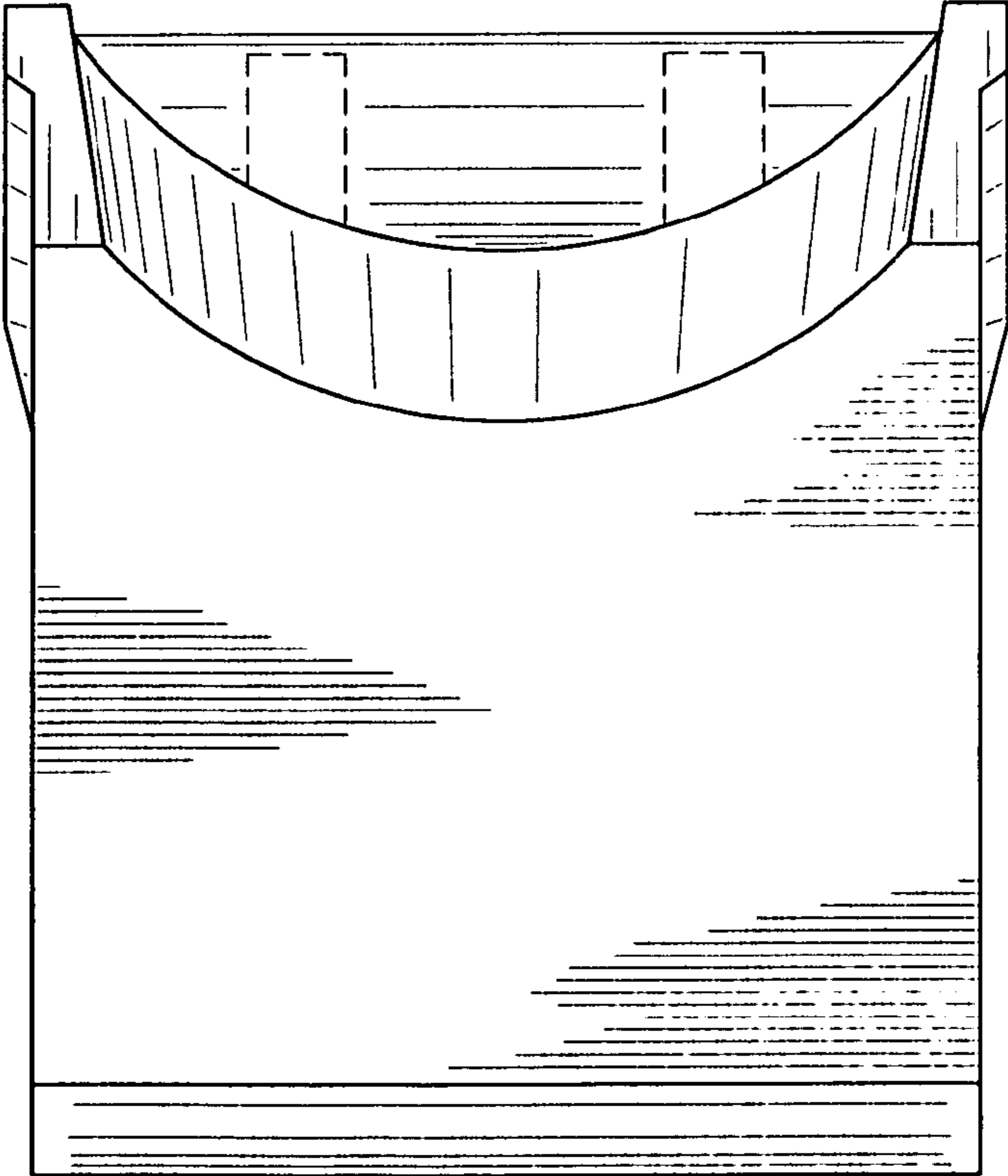


FIG. 5



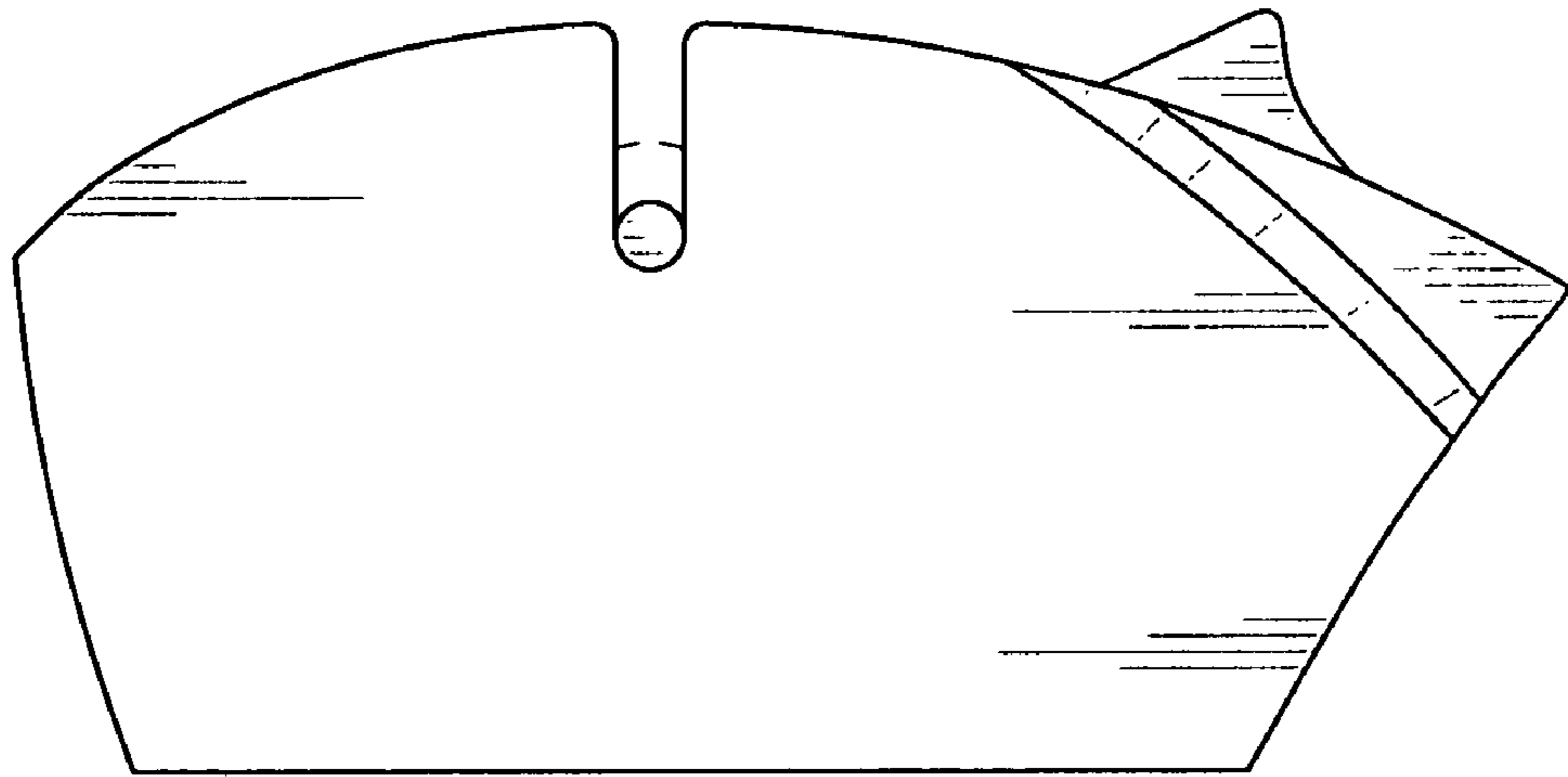


FIG. 6

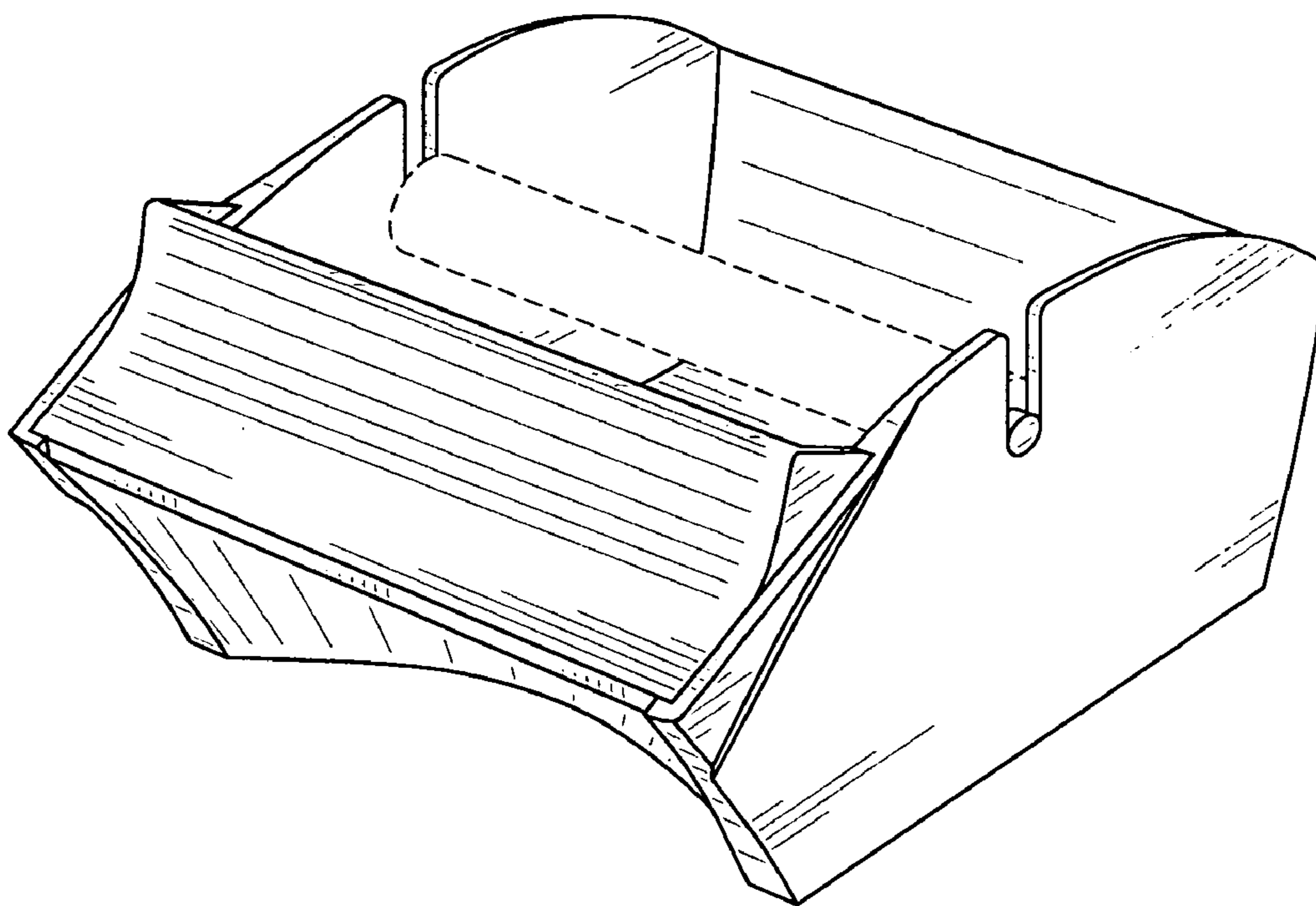


FIG. 7

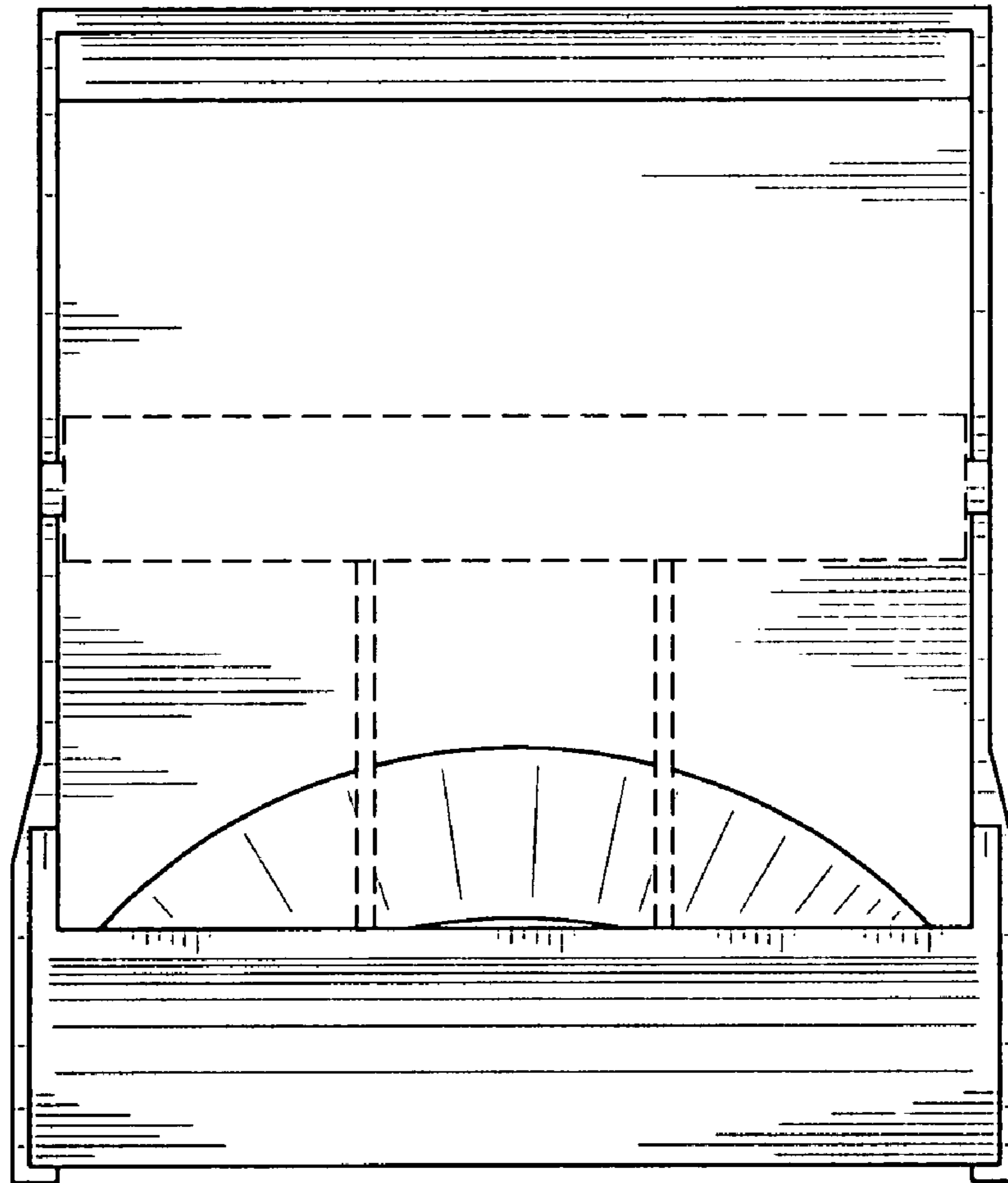


FIG. 8