



US00D588647S

(12) **United States Design Patent**  
**Luo et al.**

(10) **Patent No.:** **US D588,647 S**  
(45) **Date of Patent:** **\*\* Mar. 17, 2009**

(54) **HOLE PUNCH**

(75) Inventors: **Xiaoquan Luo**, Bronx, NY (US); **Peter Chen**, West Windsor, NJ (US); **Jungkun Lee**, Edison, NJ (US)

(73) Assignee: **Officemate International Corporation**, Edison, NJ (US)

(\*\*) Term: **14 Years**

(21) Appl. No.: **29/301,077**

(22) Filed: **Feb. 8, 2008**

(51) **LOC (9) Cl.** ..... **19-02**

(52) **U.S. Cl.** ..... **D19/72**

(58) **Field of Classification Search** ..... D8/98;  
D19/72; 83/167, 582, 588, 613, 618, 620,  
83/633, 684, 686, 821

See application file for complete search history.

(56) **References Cited**

**U.S. PATENT DOCUMENTS**

2,481,883	A *	9/1949	Semler	83/560
D169,080	S *	3/1953	Marano	D19/72
4,036,088	A *	7/1977	Ruskin	83/167
4,656,907	A *	4/1987	Hymmen	83/571
4,898,055	A *	2/1990	Neilsen	83/571
5,632,188	A *	5/1997	Karlis	83/167
5,778,750	A *	7/1998	Drzewiecki et al.	83/628
6,032,566	A *	3/2000	Evans et al.	83/618
D423,039	S *	4/2000	Cox	D18/34.2
6,109,155	A *	8/2000	Huang	83/628
6,786,395	B1 *	9/2004	Lin	234/98

D564,594 S \* 3/2008 Kent et al. .... D19/72  
2007/0266836 A1 \* 11/2007 Marks ..... 83/684

**OTHER PUBLICATIONS**

ACCO 74026, Swingline, Apricot catalogue, 2 pages, 2001.\*  
Leverhand Hole Punch, by ACCO, 3 pages, available since Jun. 6, 2007, amazon.com.\*  
Swingline 12 Sheet Light Touch Desktop 2-3 Hole Punch, # 74026, 3 pages, available since Aug. 13, 2008, amazon.com.\*

\* cited by examiner

*Primary Examiner*—Elizabeth A Albert

(74) *Attorney, Agent, or Firm*—Lerner, David, Littenberg, Krumholz & Mentlik, LLP

(57) **CLAIM**

The ornamental design for a hole punch, as shown and described.

**DESCRIPTION**

FIG. 1 is a front perspective view of the hole punch;

FIG. 2 is a front elevational view thereof;

FIG. 3 is a rear elevational view thereof;

FIG. 4 is a right side view thereof;

FIG. 5 is a left side view thereof;

FIG. 6 is a top plan view thereof; and,

FIG. 7 is a rear perspective view thereof.

The broken line showing of portions of the hole punch in FIGS. 1–7 are included for the purpose of illustrating environment and form no part of the claimed design.

**1 Claim, 7 Drawing Sheets**

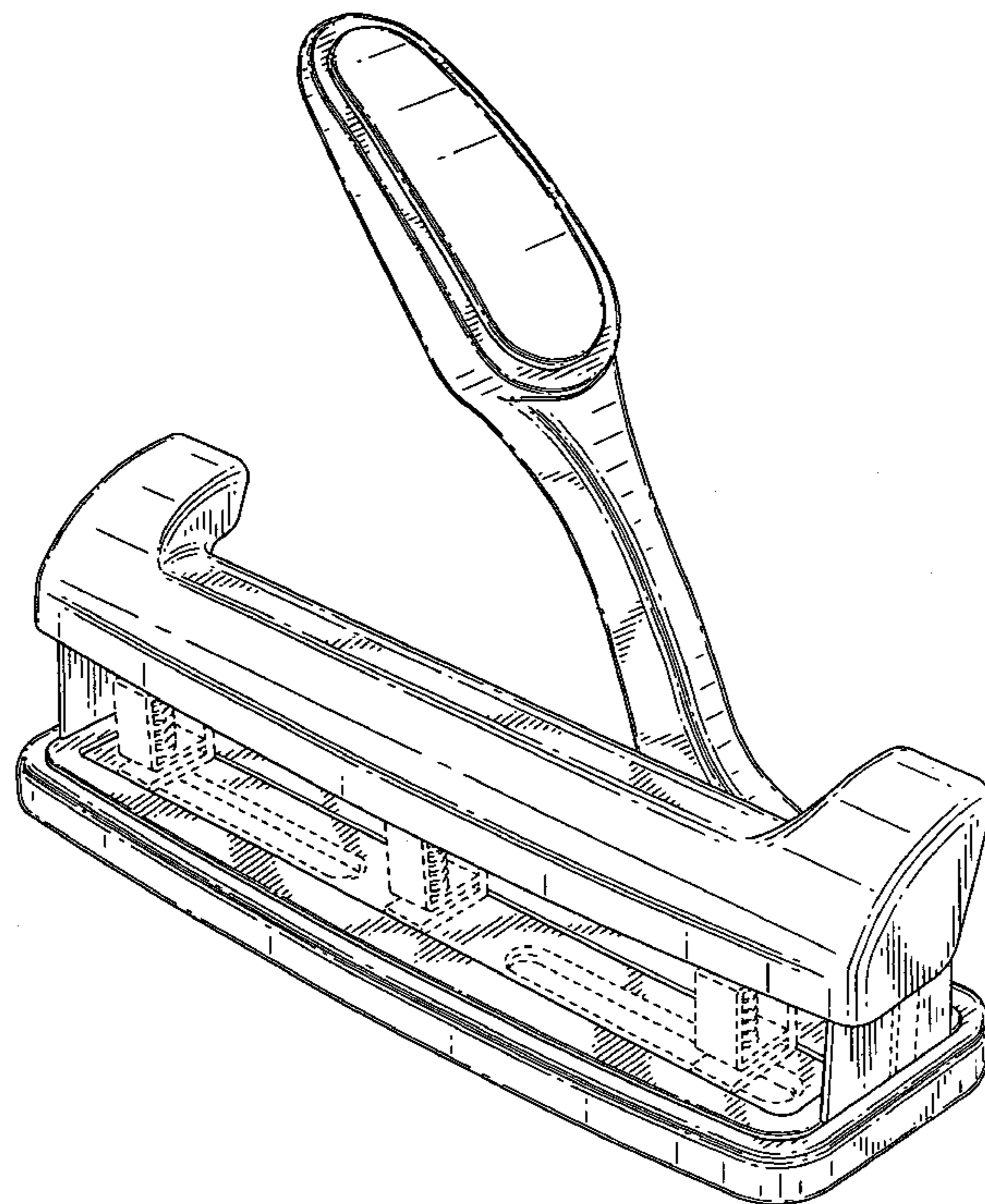


FIG. 1

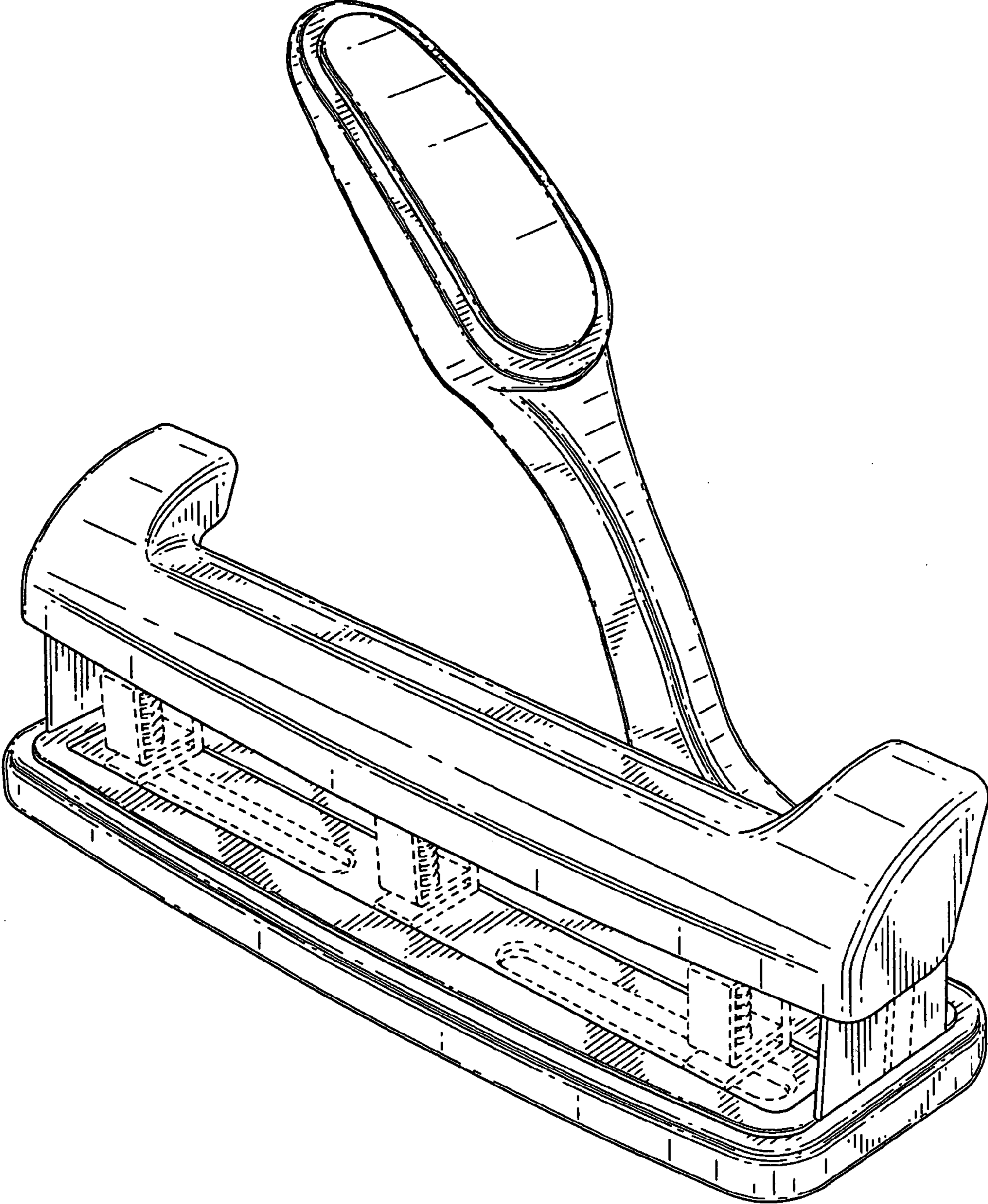
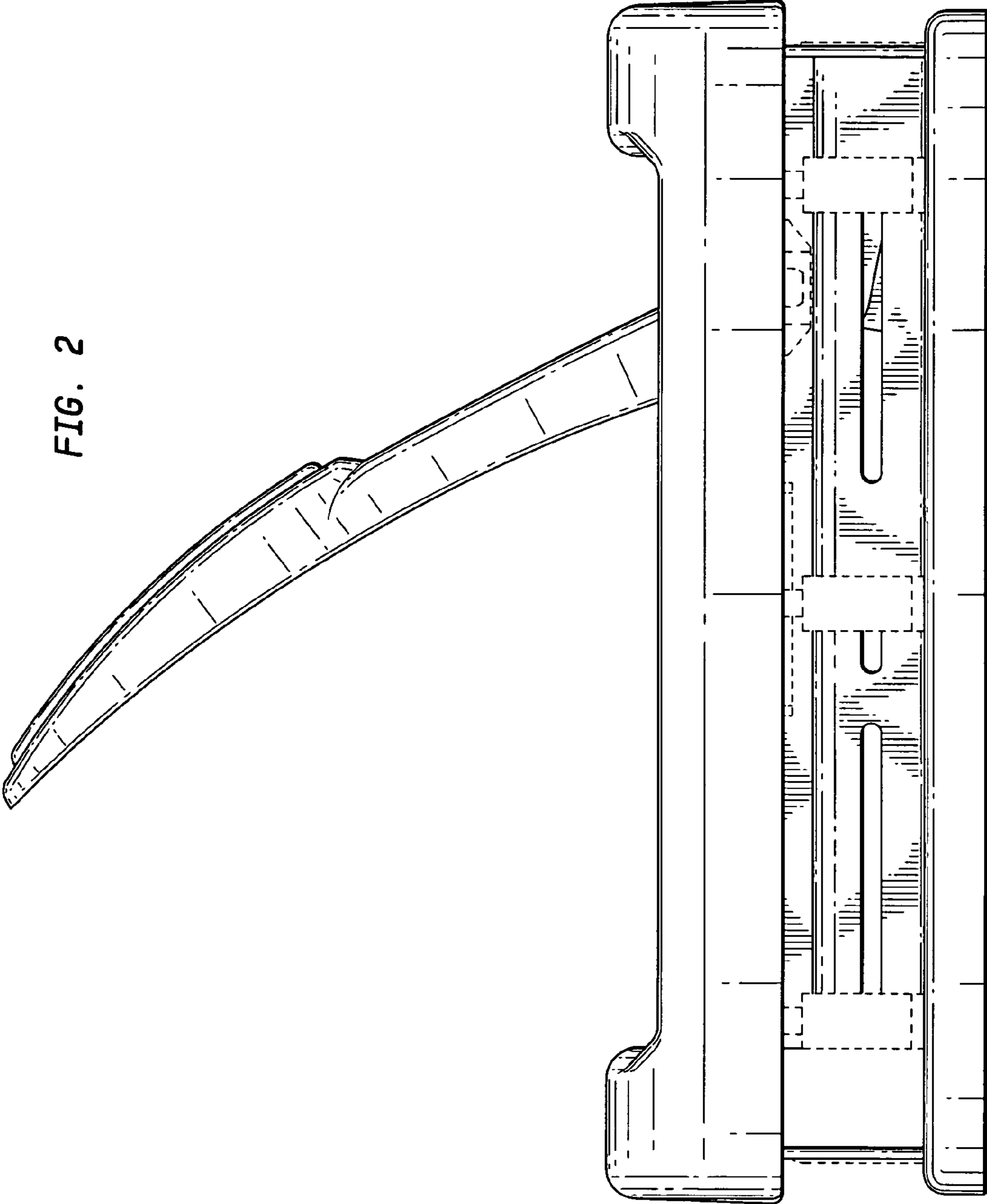


FIG. 2





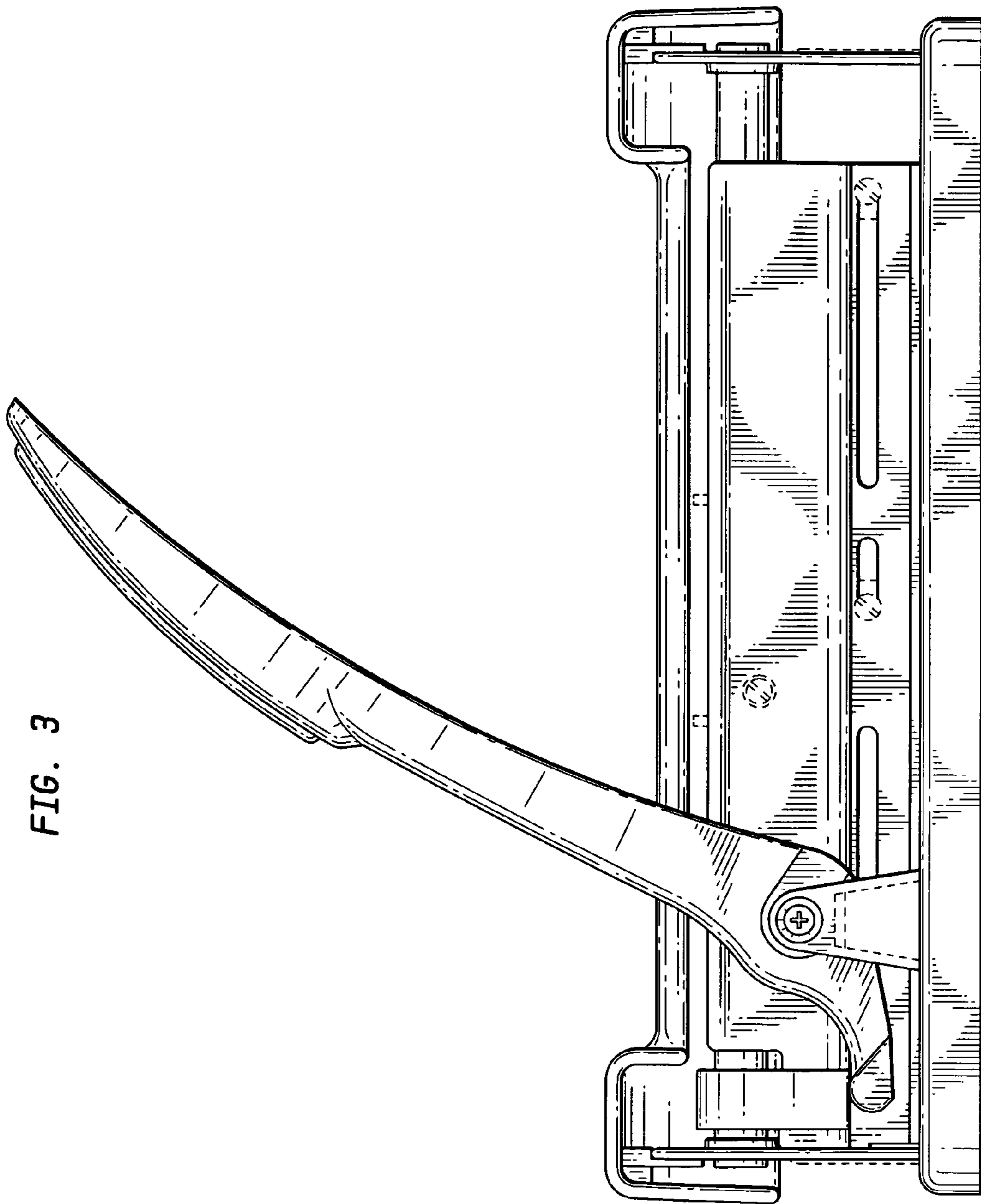
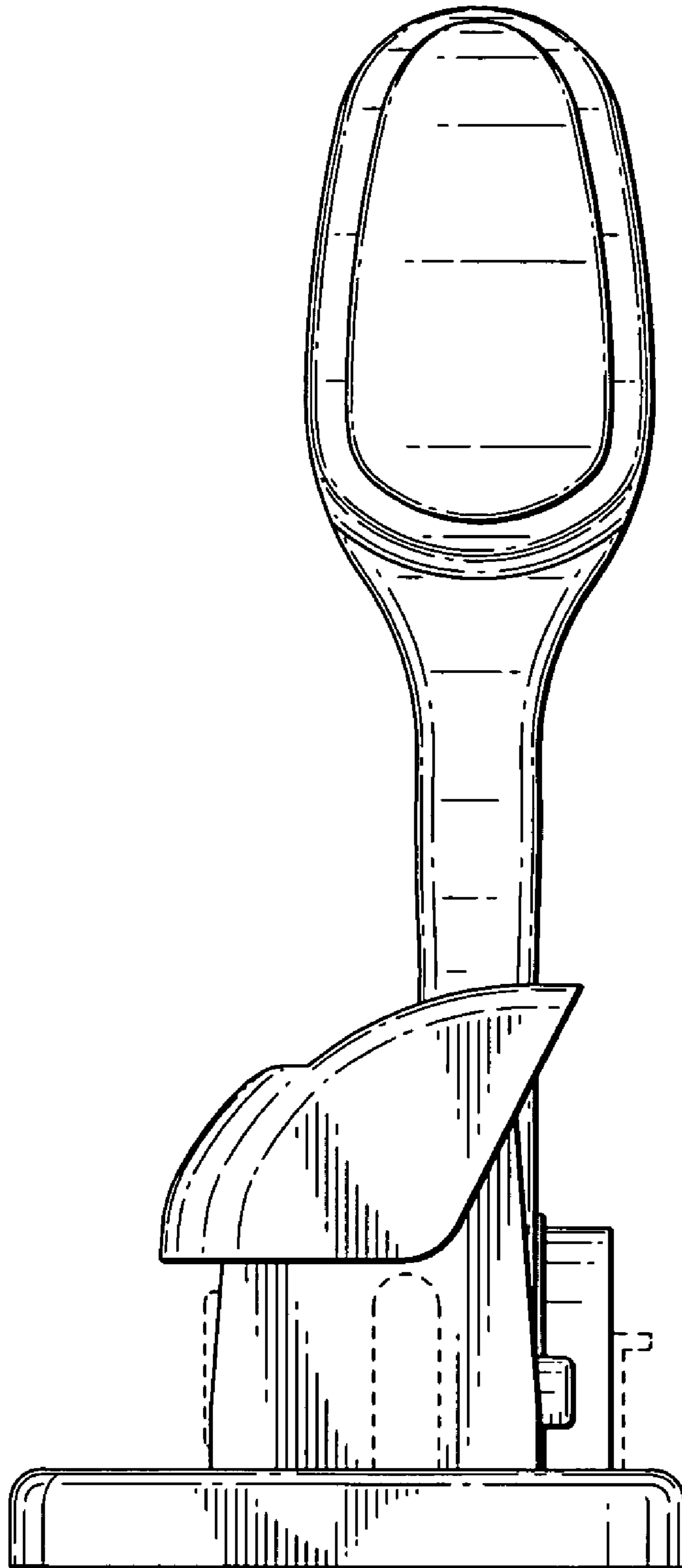


FIG. 3

**FIG. 4**



**FIG. 5**

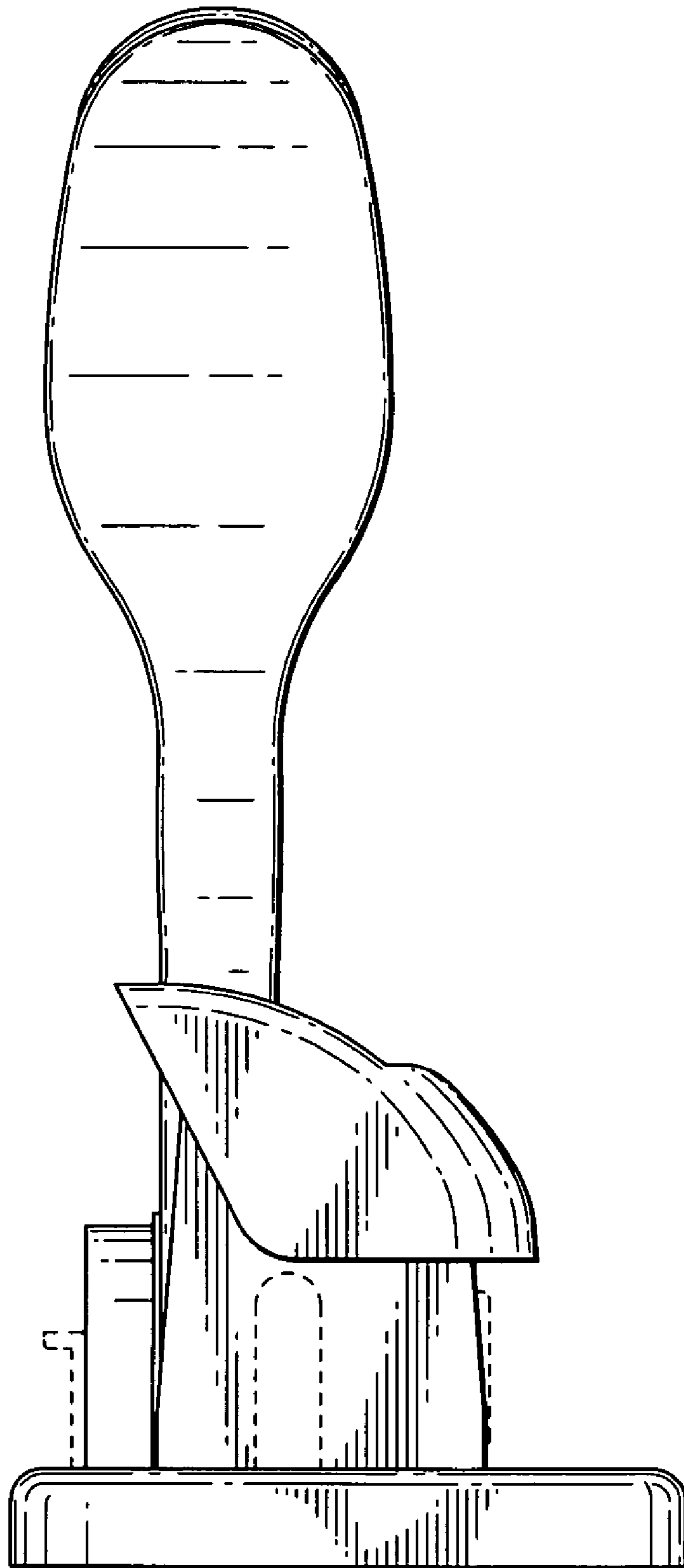
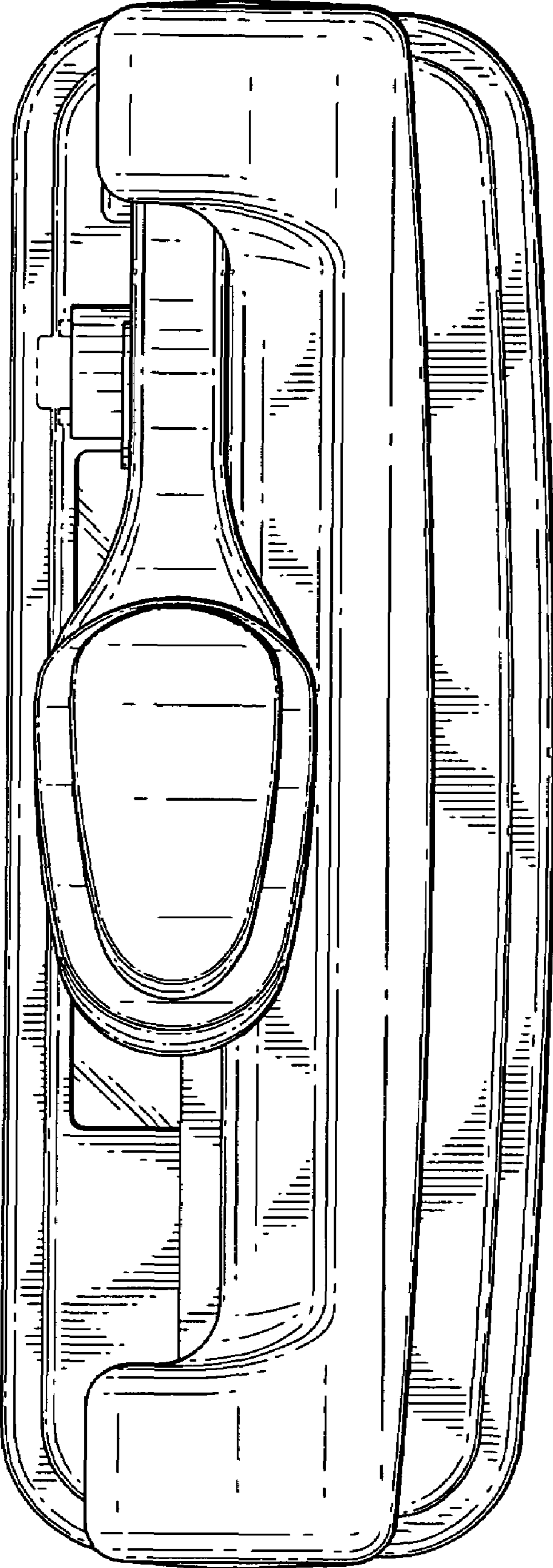


FIG. 6



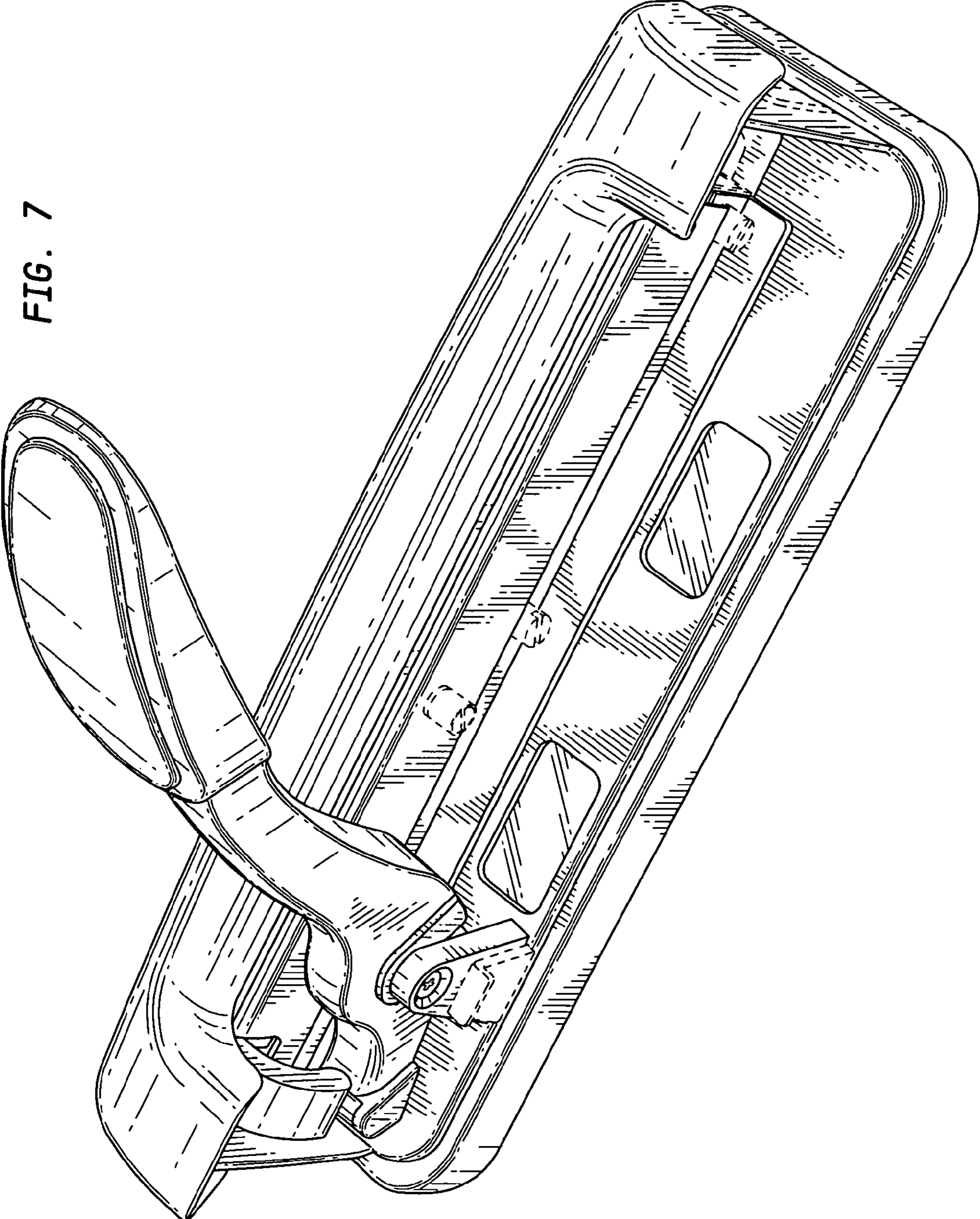


FIG. 7