



US00D588646S

(12) **United States Design Patent**
Vulpitta

(10) **Patent No.:** **US D588,646 S**
(45) **Date of Patent:** **** Mar. 17, 2009**

(54) **TAPE DISPENSER**
(75) Inventor: **Brian A. Vulpitta**, Avon Lake, OH (US)
(73) Assignee: **Henkel Corporation**, Rocky Hill, CT (US)
(**) Term: **14 Years**
(21) Appl. No.: **29/325,824**
(22) Filed: **Oct. 7, 2008**

(51) **LOC (9) Cl.** **19-02**
(52) **U.S. Cl.** **D19/69**
(58) **Field of Classification Search** D19/70,
D19/69, 36, 68; 242/588.6, 588.2; 225/77,
225/6, 56, 39, 26, 25, 19, 11, 34; 206/411;
156/577, 527, 523
See application file for complete search history.

(56) **References Cited**

U.S. PATENT DOCUMENTS

| | | | | |
|-----------|------|---------|------------------|---------|
| D259,643 | S | 6/1981 | Pearson | |
| 4,961,525 | A | 10/1990 | Corbo et al. | |
| 5,071,051 | A | 12/1991 | Corbo et al. | |
| D361,086 | S * | 8/1995 | Thompson et al. | D19/69 |
| D362,684 | S * | 9/1995 | Samuelson et al. | D19/69 |
| 5,468,332 | A * | 11/1995 | Dretzka et al. | 156/527 |
| 5,820,005 | A | 10/1998 | Perkitny et al. | |
| 5,851,347 | A | 12/1998 | Rodriguez | |
| D423,054 | S * | 4/2000 | Harris | D19/69 |
| D442,227 | S * | 5/2001 | Carlson et al. | D19/69 |
| D448,413 | S * | 9/2001 | Carlson et al. | D19/69 |
| 6,669,070 | B2 * | 12/2003 | Huang | 225/56 |
| 6,719,180 | B2 | 4/2004 | Shah | |
| 6,874,554 | B2 | 4/2005 | Chandaria | |
| D507,020 | S * | 7/2005 | Mueller et al. | D19/69 |

| | | | | |
|-----------|-----|---------|----------------------|--------|
| 6,913,060 | B2 | 7/2005 | Chandaria | |
| 6,923,358 | B2 | 8/2005 | Chandaria | |
| 7,021,356 | B2 | 4/2006 | Kelders et al. | |
| 7,093,640 | B2 | 8/2006 | Chandaria | |
| D529,093 | S * | 9/2006 | Gullicks et al. | D19/69 |
| D533,594 | S * | 12/2006 | Gullicks et al. | D19/69 |
| D533,905 | S * | 12/2006 | Gullicks et al. | D19/69 |
| D534,589 | S * | 1/2007 | Gullicks et al. | D19/69 |
| D553,685 | S | 10/2007 | Thorsteinsson et al. | |
| D568,400 | S * | 5/2008 | Packard et al. | D19/69 |
| 7,370,782 | B2 | 5/2008 | Thompson et al. | |

* cited by examiner

Primary Examiner—Cathron C Brooks
Assistant Examiner—Austin Murphy
(74) *Attorney, Agent, or Firm*—Fay Sharpe LLP

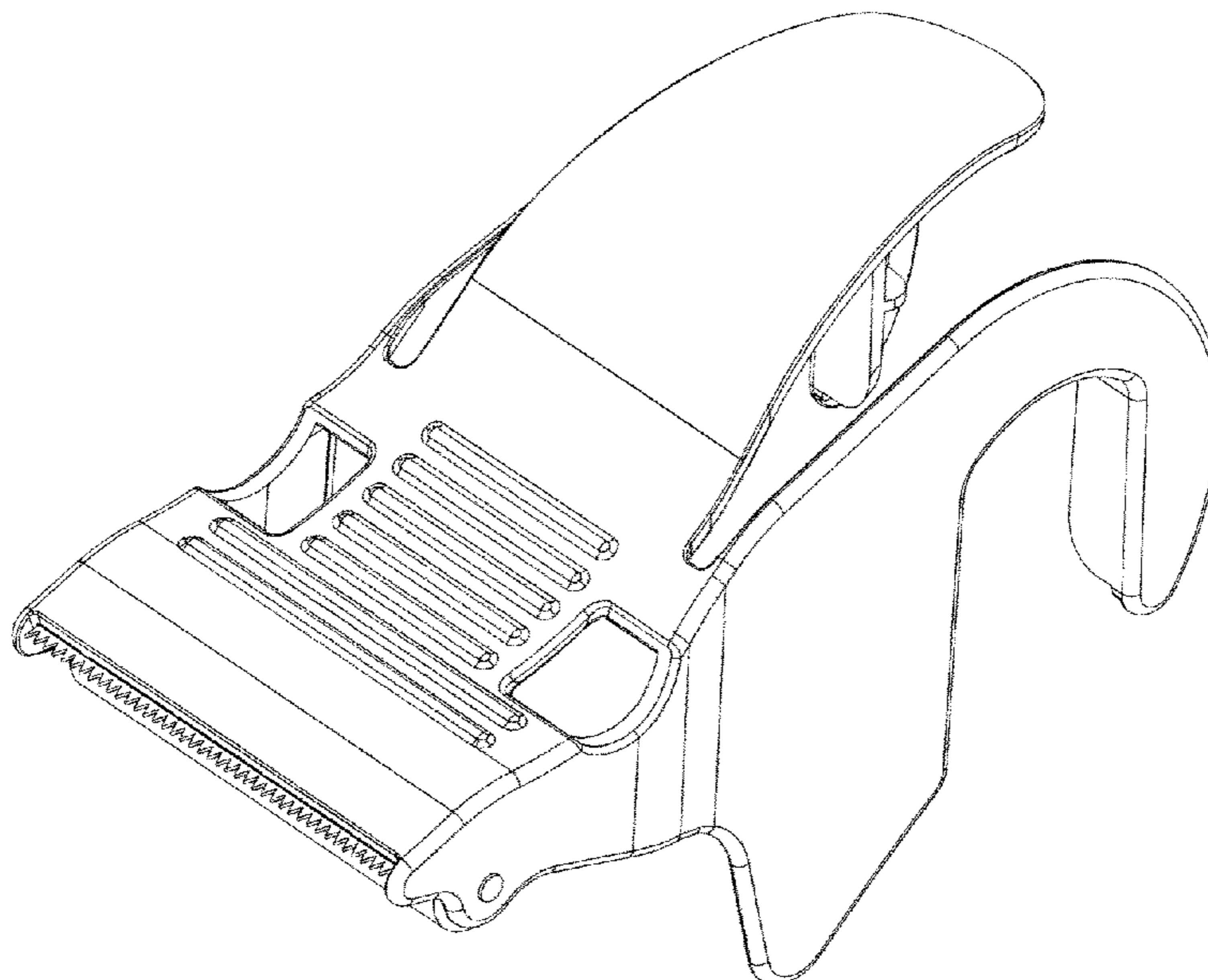
(57) **CLAIM**

The ornamental design for a tape dispenser, as shown and described.

DESCRIPTION

FIG. 1 is a top, front left perspective view of the tape dispenser according to the new design;
FIG. 2 is a top rear left perspective view thereof;
FIG. 3 is a bottom rear left perspective view thereof;
FIG. 4 is a bottom front left perspective view thereof;
FIG. 5 is a top plan view thereof;
FIG. 6 is a bottom plan view thereof;
FIG. 7 is a left elevation view thereof, the right elevation being a mirror image of the left elevation;
FIG. 8 is a front elevation view thereof; and,
FIG. 9 is a rear elevation view thereof.

1 Claim, 9 Drawing Sheets



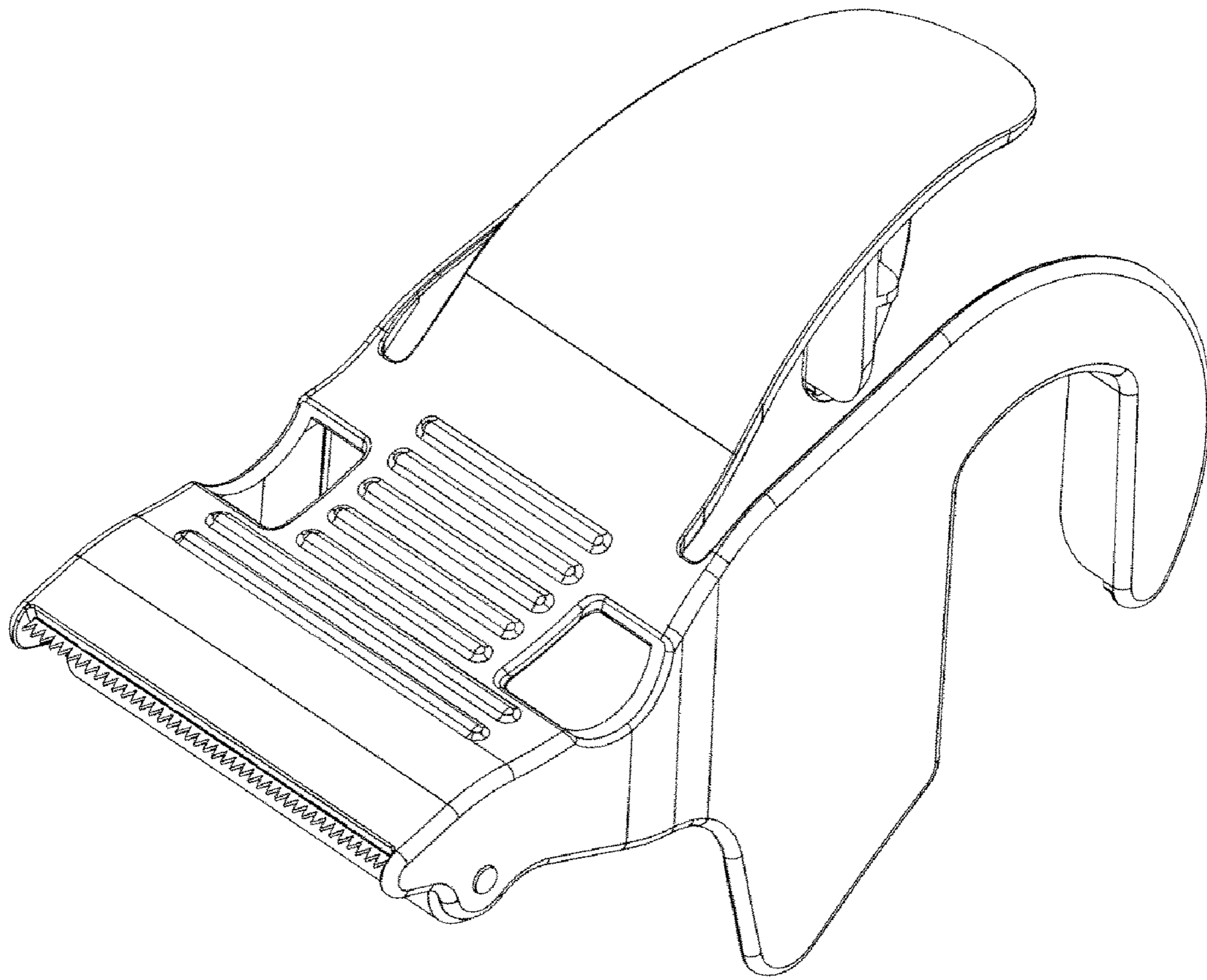


fig. 1

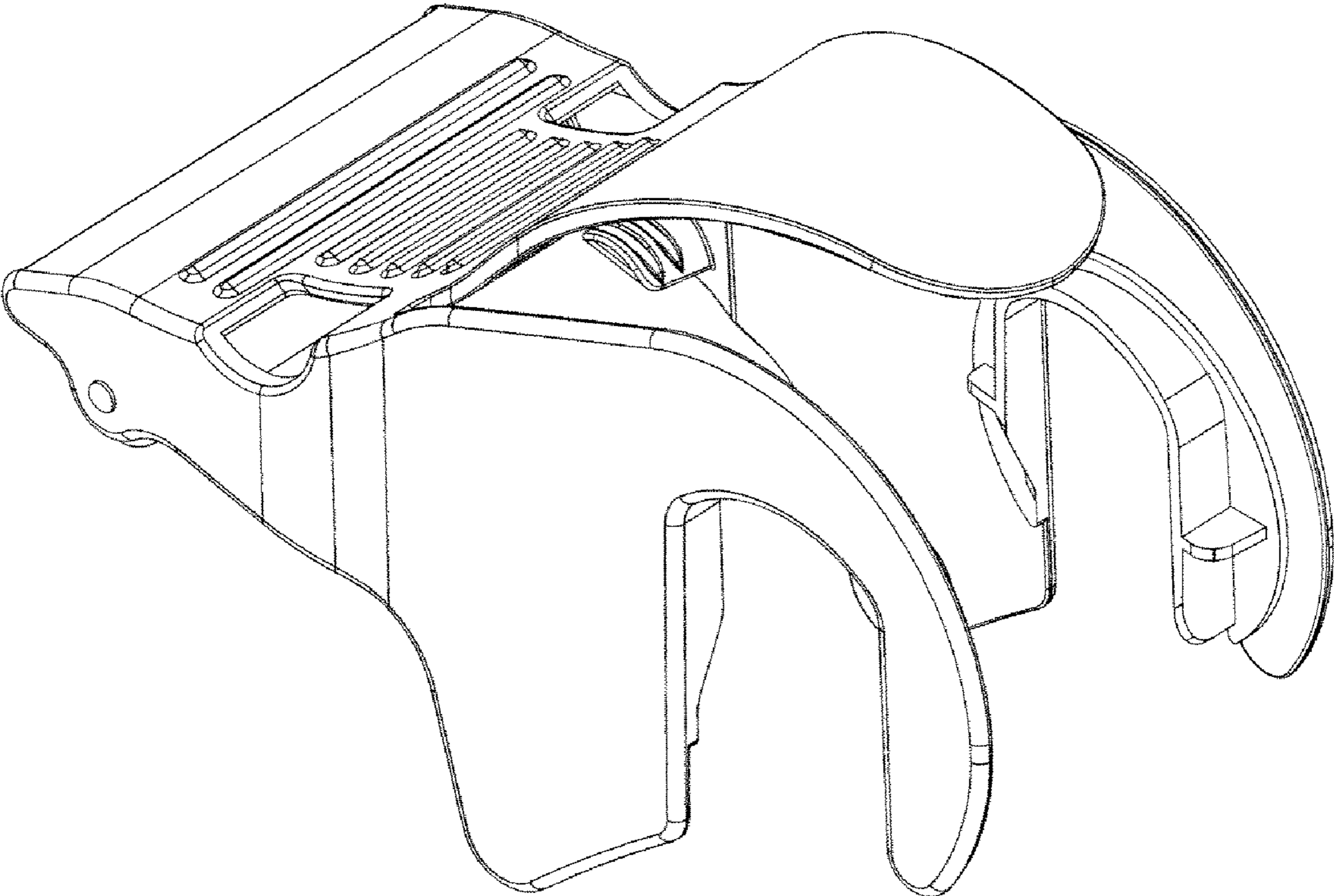


fig. 2

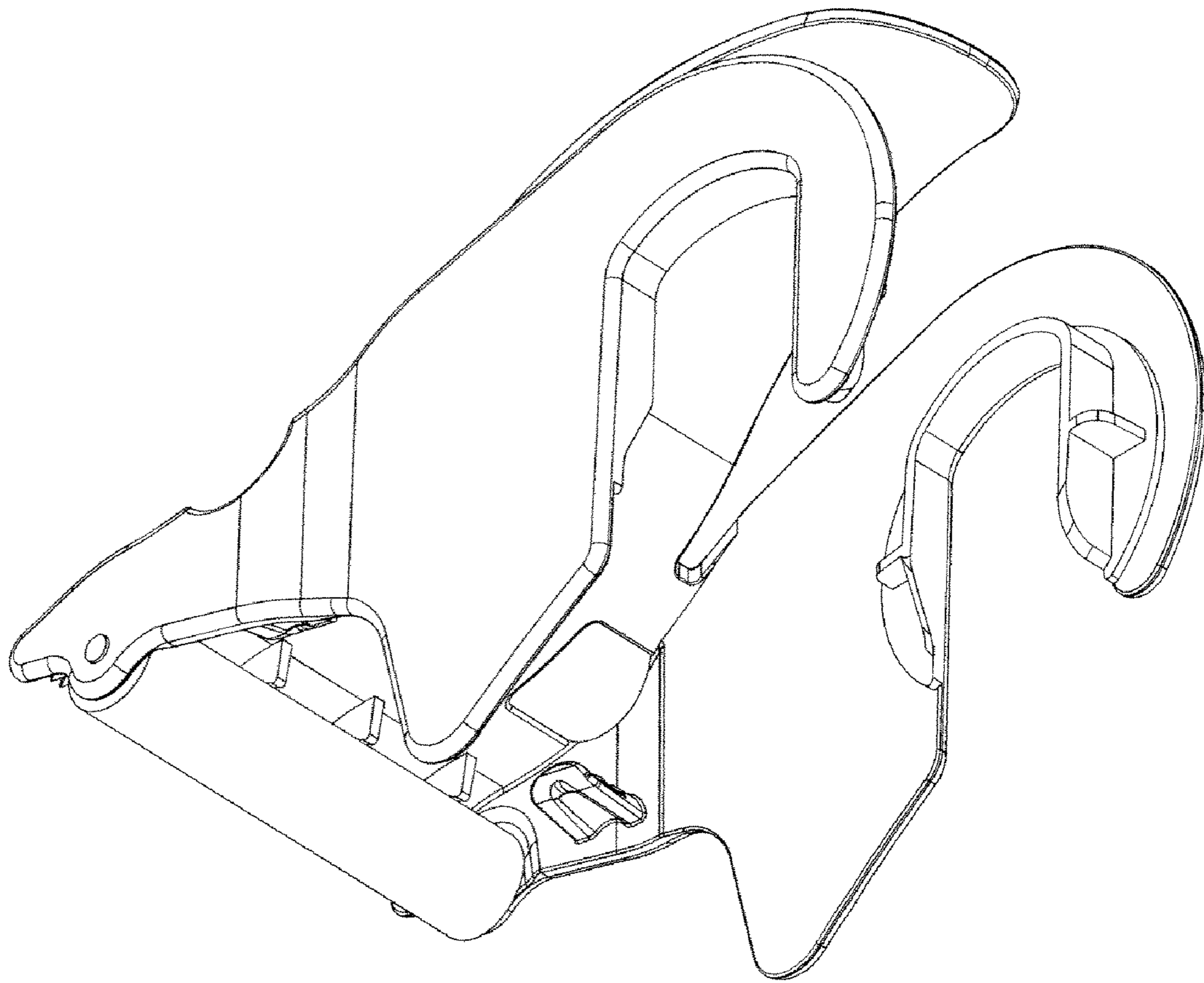


fig. 3

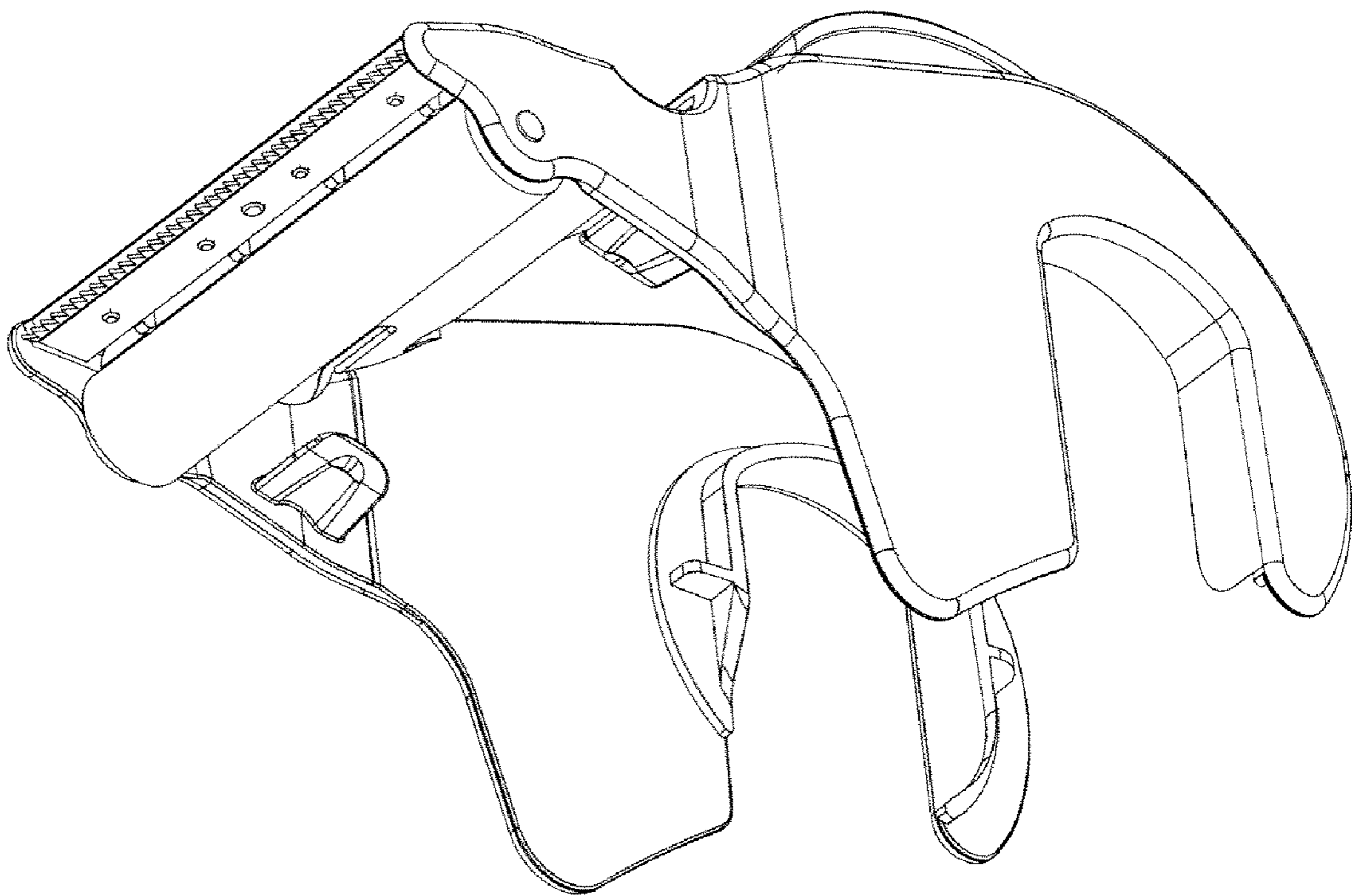


fig. 4

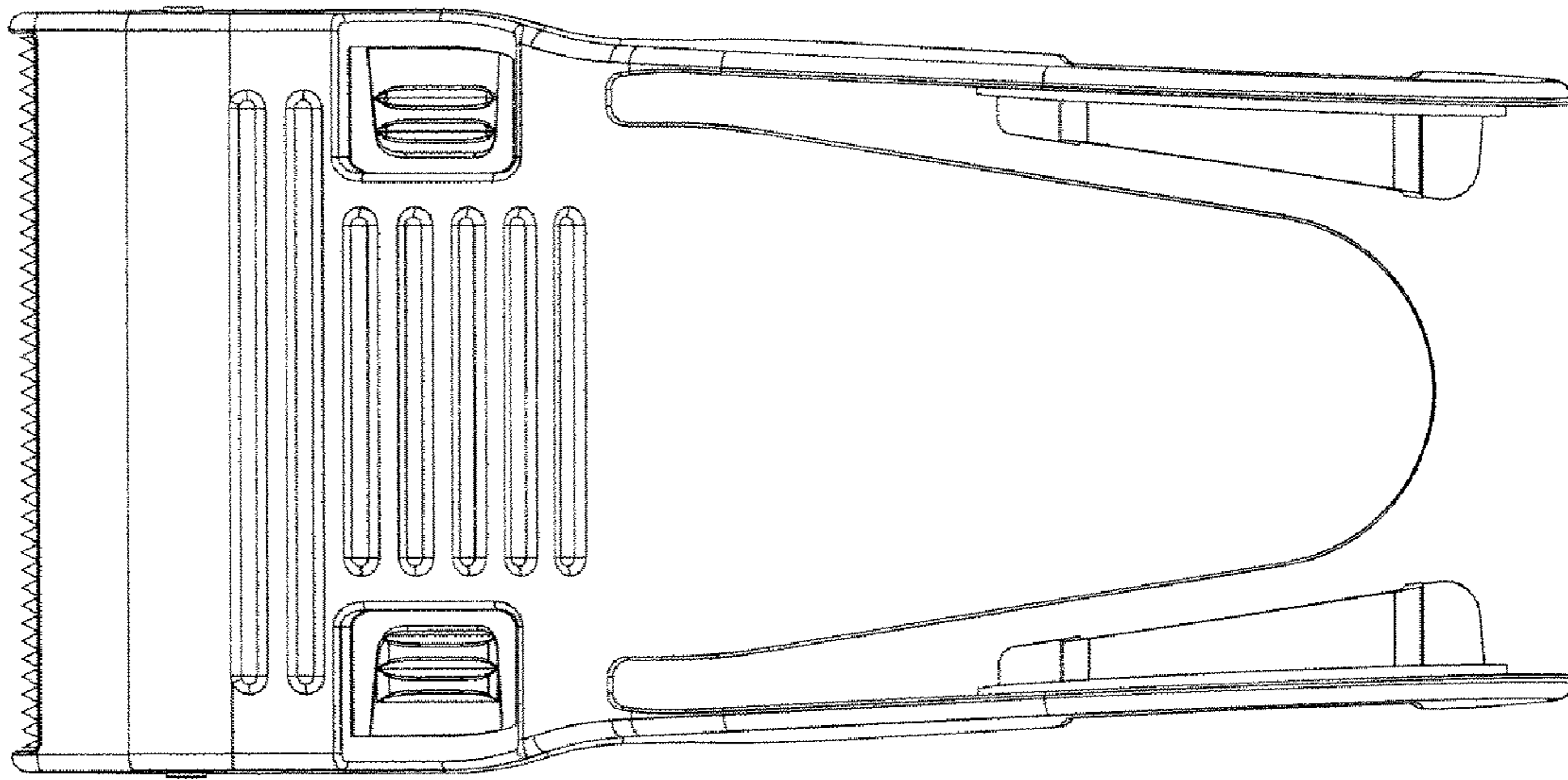


fig. 5

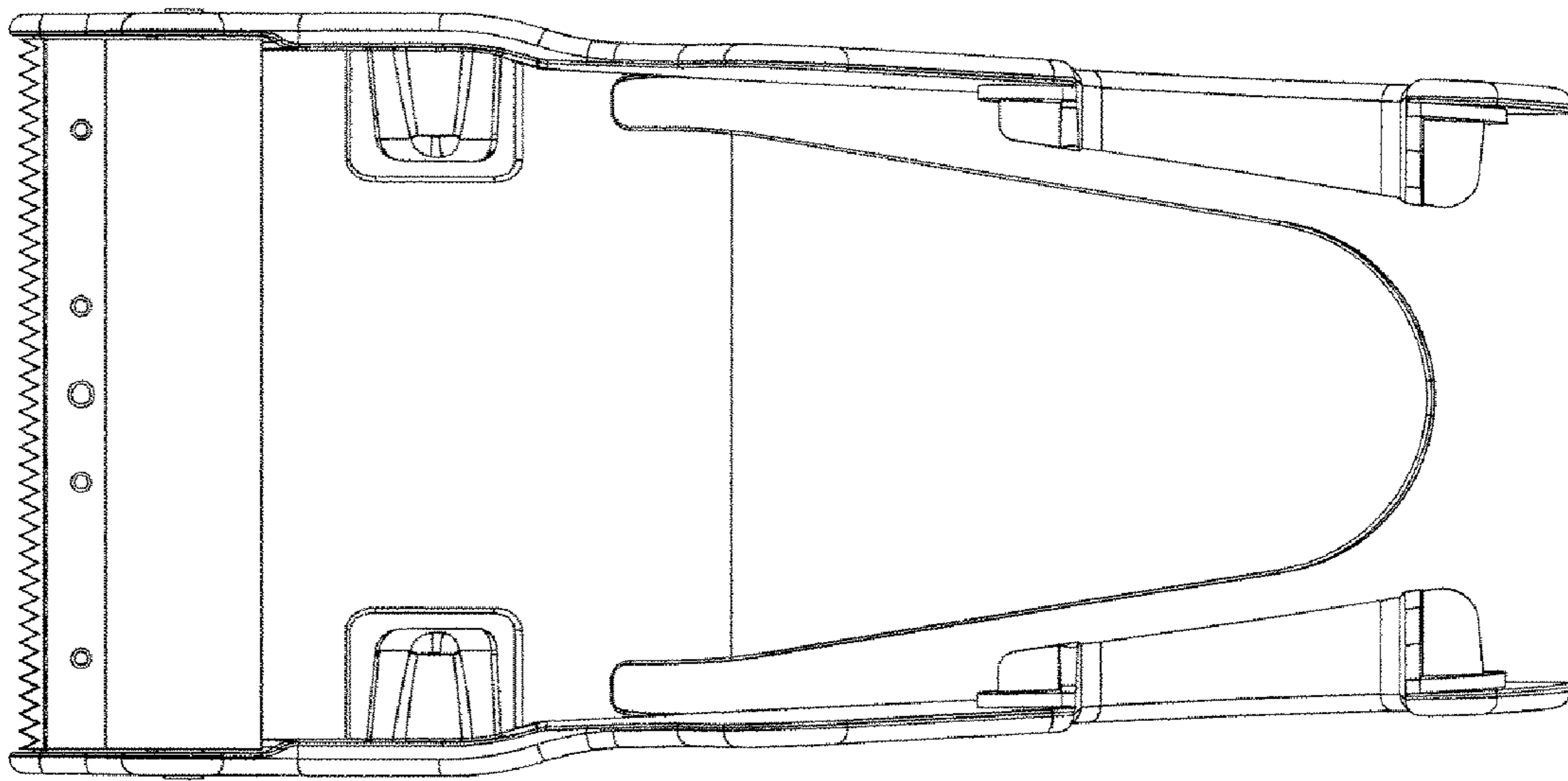


fig. 6

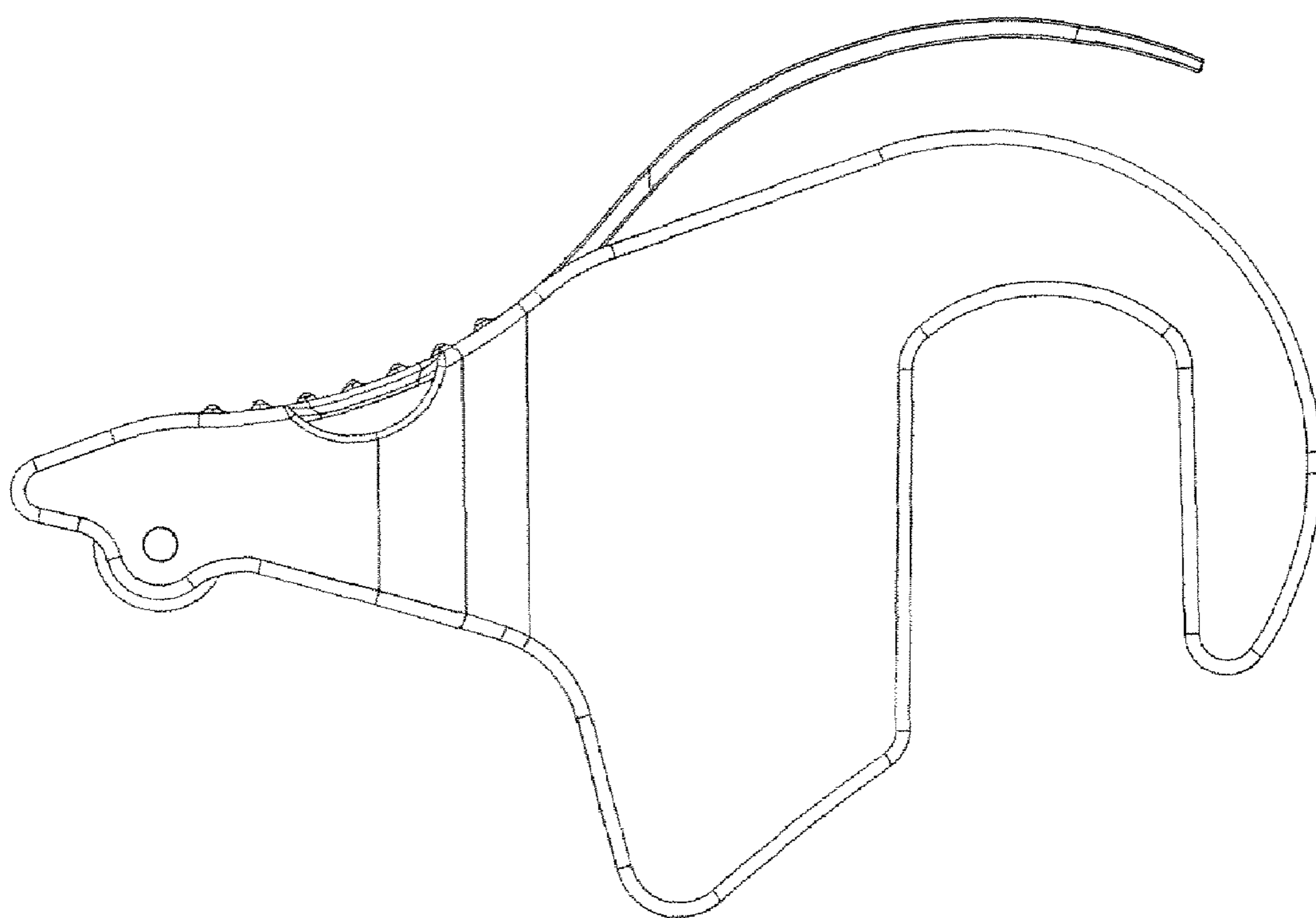


fig. 7

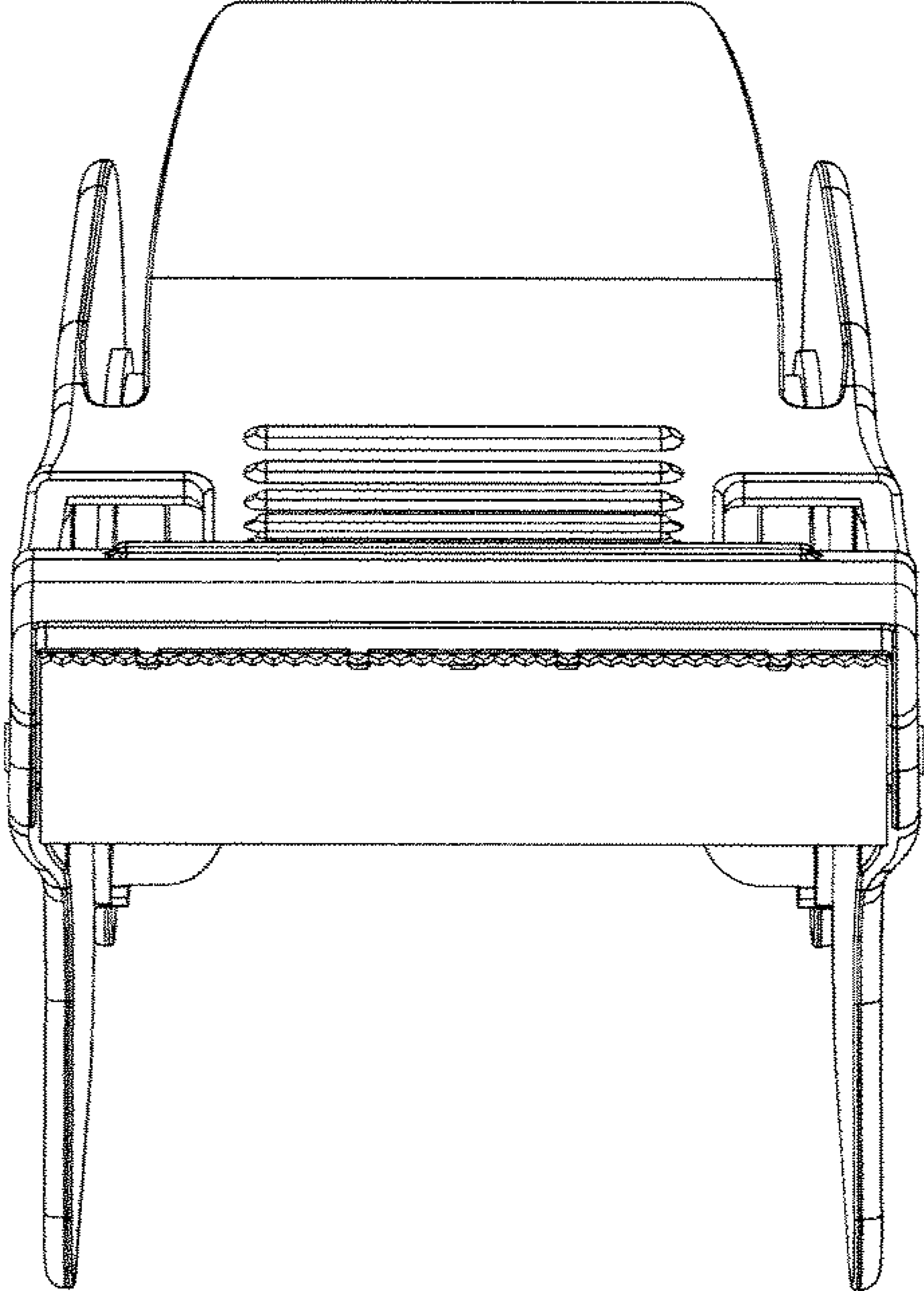


fig. 8

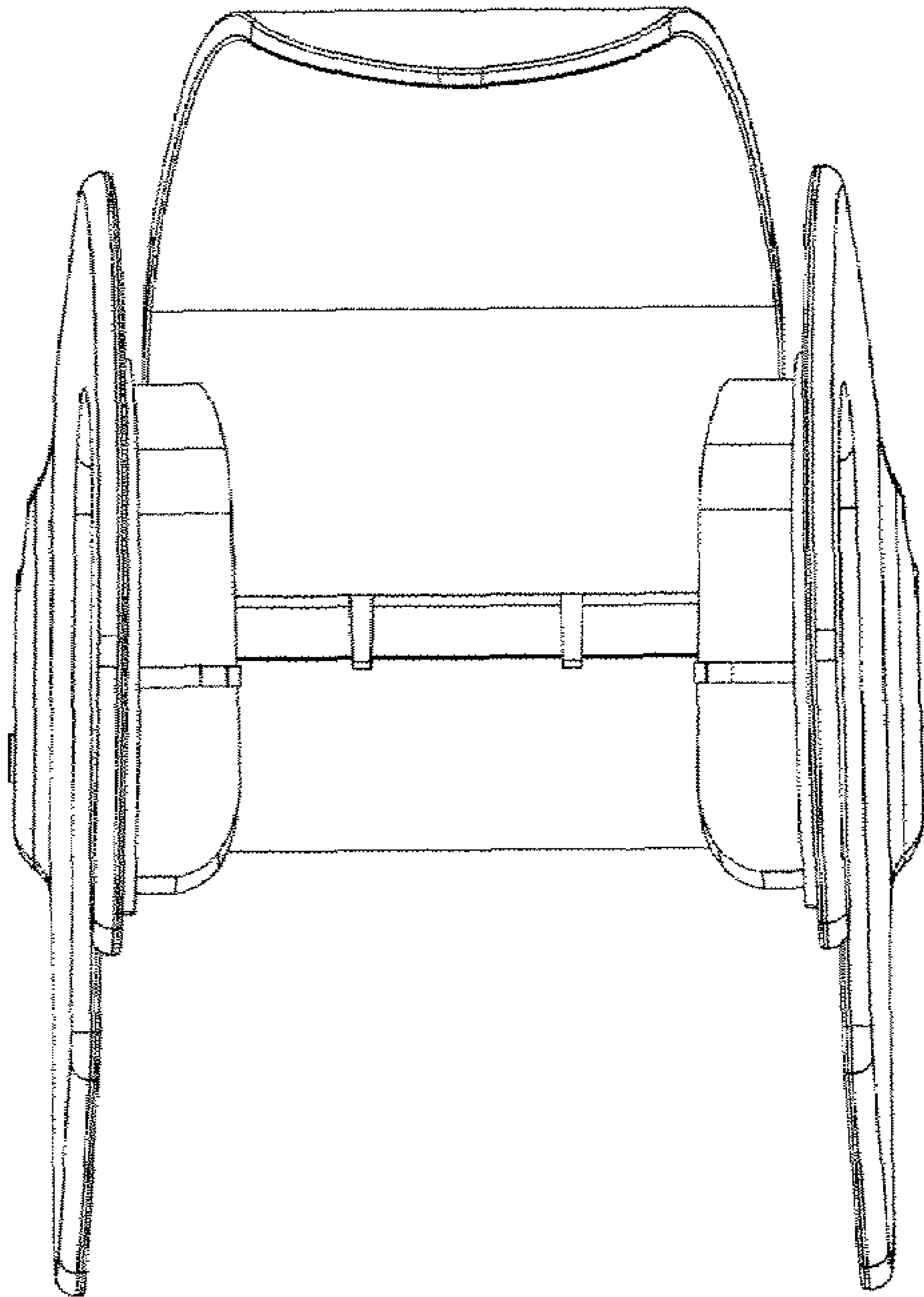


fig. 9