



US00D588634S

(12) **United States Design Patent**
Wittmeyer, Jr. et al.

(10) **Patent No.:** **US D588,634 S**
(45) **Date of Patent:** **** Mar. 17, 2009**

(54) **FILE FOLDER WITH SECURED FRONT COVER**

6,808,104 B2 * 10/2004 Cobble 229/67.1
D522,575 S * 6/2006 Smith D19/33
D522,576 S * 6/2006 Smith D19/33

(75) Inventors: **Larry Wittmeyer, Jr.**, Lake Lotawana, MO (US); **John Borri**, Collinsville, IL (US); **Donna Ferguson**, Elsberry, MO (US)

* cited by examiner

Primary Examiner—Elizabeth A. Albert

Assistant Examiner—Kelley A Donnelly

(73) Assignee: **Cardinal Brands, Inc.**, Lawrence, KS (US)

(74) *Attorney, Agent, or Firm*—Stinson Morrison Hecker LLP

(**) Term: **14 Years**

(57) **CLAIM**

(21) Appl. No.: **29/277,236**

The ornamental design for a file folder with secured front cover, as shown and described.

(22) Filed: **Feb. 19, 2007**

DESCRIPTION

(51) **LOC (9) Cl.** **19-04**

FIG. 1 is a front perspective view of the expanded file folder with secured front cover in the closed position;

(52) **U.S. Cl.** **D19/26**

FIG. 2 is a front perspective view of the expanded file folder with secured front cover in the open position;

(58) **Field of Classification Search** D19/26–33, D19/86; 206/232, 450, 472; 281/15.1, 39, 281/44–45, 19.1, 21.1, 22, 29, 31, 38; 283/63.1, 283/64; 402/4, 31, 73

FIG. 3 is a front plan view of the expanded file folder with secured front cover of FIG. 1;

See application file for complete search history.

FIG. 4 is a back plan view of the expanded file folder with secured front cover of FIG. 1;

(56) **References Cited**

U.S. PATENT DOCUMENTS

1,529,264 A	3/1925	Mayers	
4,109,850 A	8/1978	Meenan et al.	
D252,334 S *	7/1979	Small	D19/90
D282,758 S *	2/1986	Hirsch	D19/91
D312,476 S *	11/1990	Westendorff	D19/27
5,048,697 A *	9/1991	Payne	211/45
D322,284 S *	12/1991	Whaley et al.	D19/86
D322,285 S *	12/1991	Whaley et al.	D19/86
D337,784 S *	7/1993	Wyant	D19/26
5,626,368 A	5/1997	St. Romain	
5,807,176 A *	9/1998	Forsse et al.	463/37
D411,231 S *	6/1999	Bigelow	D19/32
5,996,881 A	12/1999	Smith	
6,138,900 A	10/2000	Zeiler	
6,453,589 B1	9/2002	Schwartz	

FIG. 5 is a left side elevational view of the expanded file folder with secured front cover of FIG. 1;

FIG. 6 is a right side elevational view of the expanded file folder with secured front cover of FIG. 1;

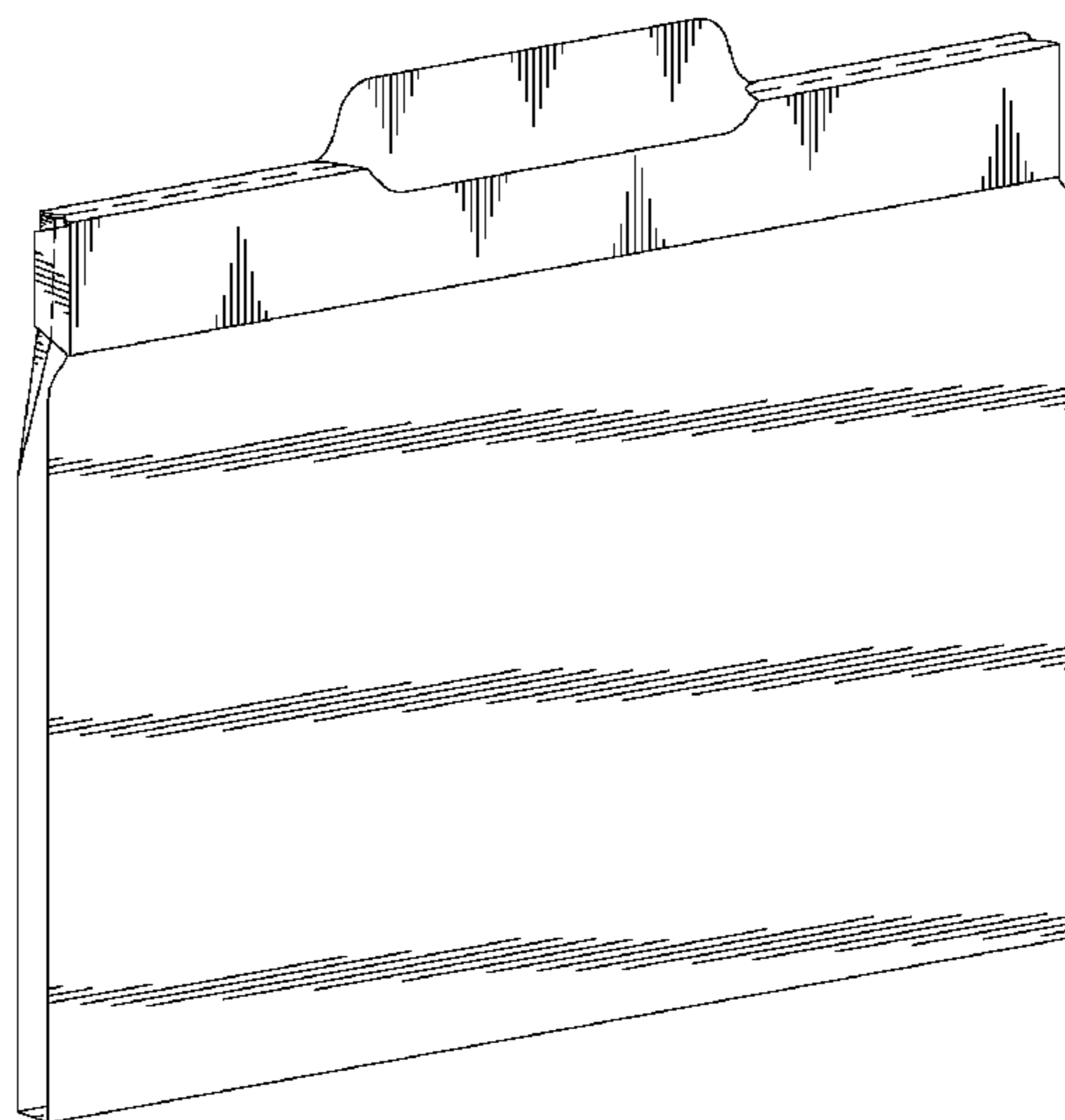
FIG. 7 is a top plan view of the expanded file folder with secured front cover of FIG. 1;

FIG. 8 is a bottom plan view of the expanded file folder with secured front cover of FIG. 1;

FIG. 9 is a front plan view of the file folder with secured front cover of FIG. 1 in unexpanded form.

The broken lines shown in FIGS. 1, 2, 5, 6, 7, and 9 represent fold lines and are part of the claimed design.

1 Claim, 4 Drawing Sheets



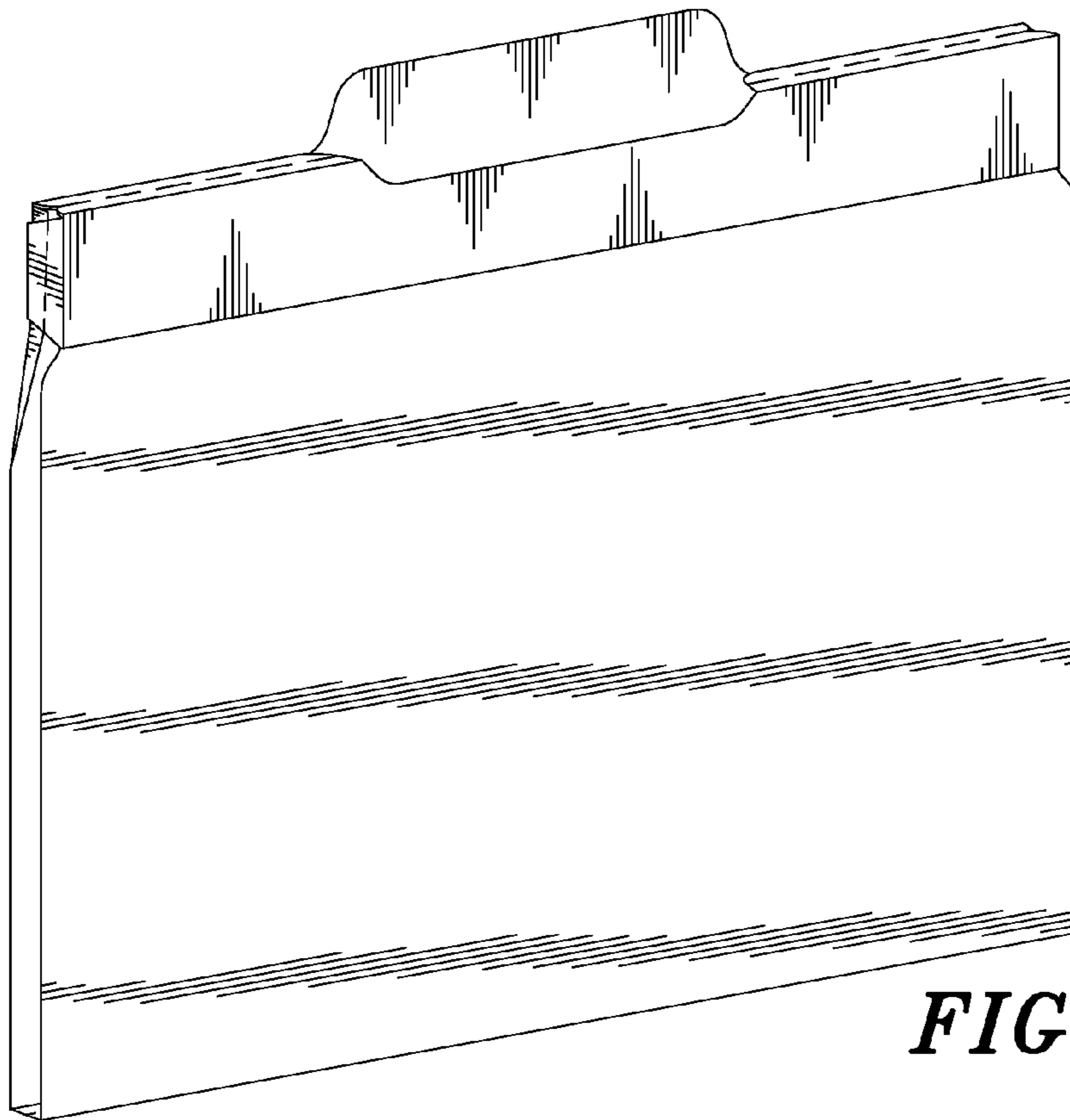


FIG. 1

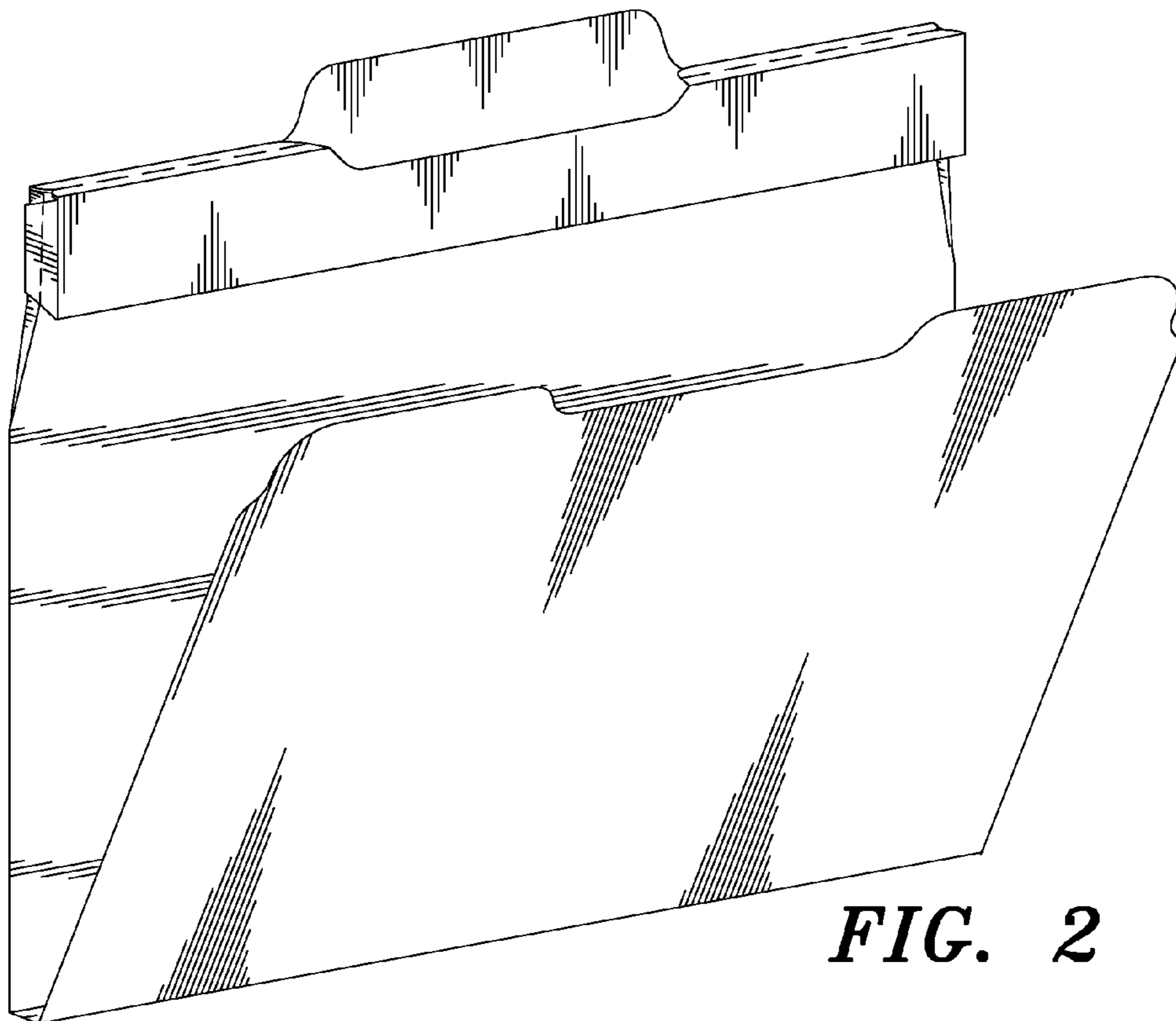


FIG. 2

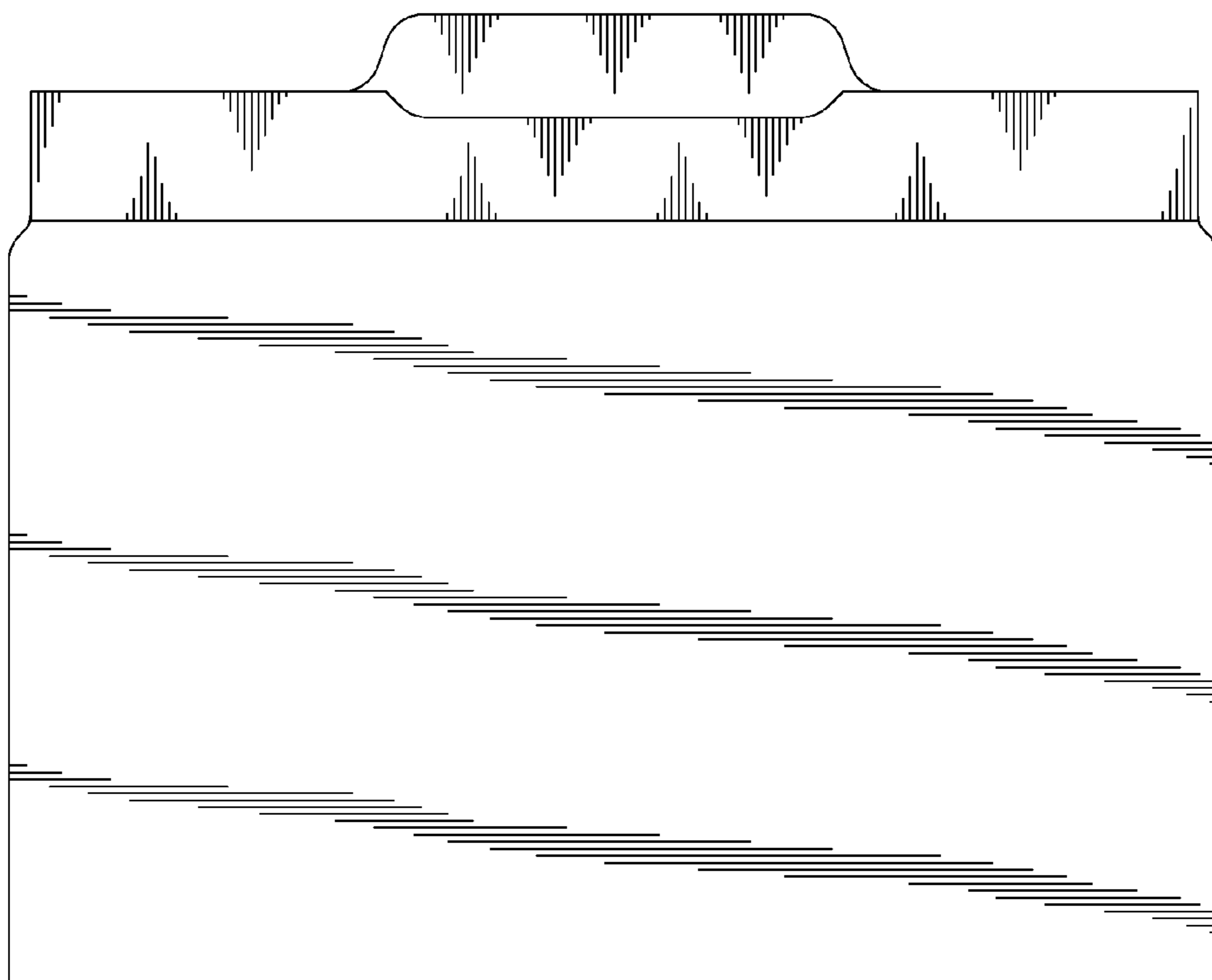


FIG. 3

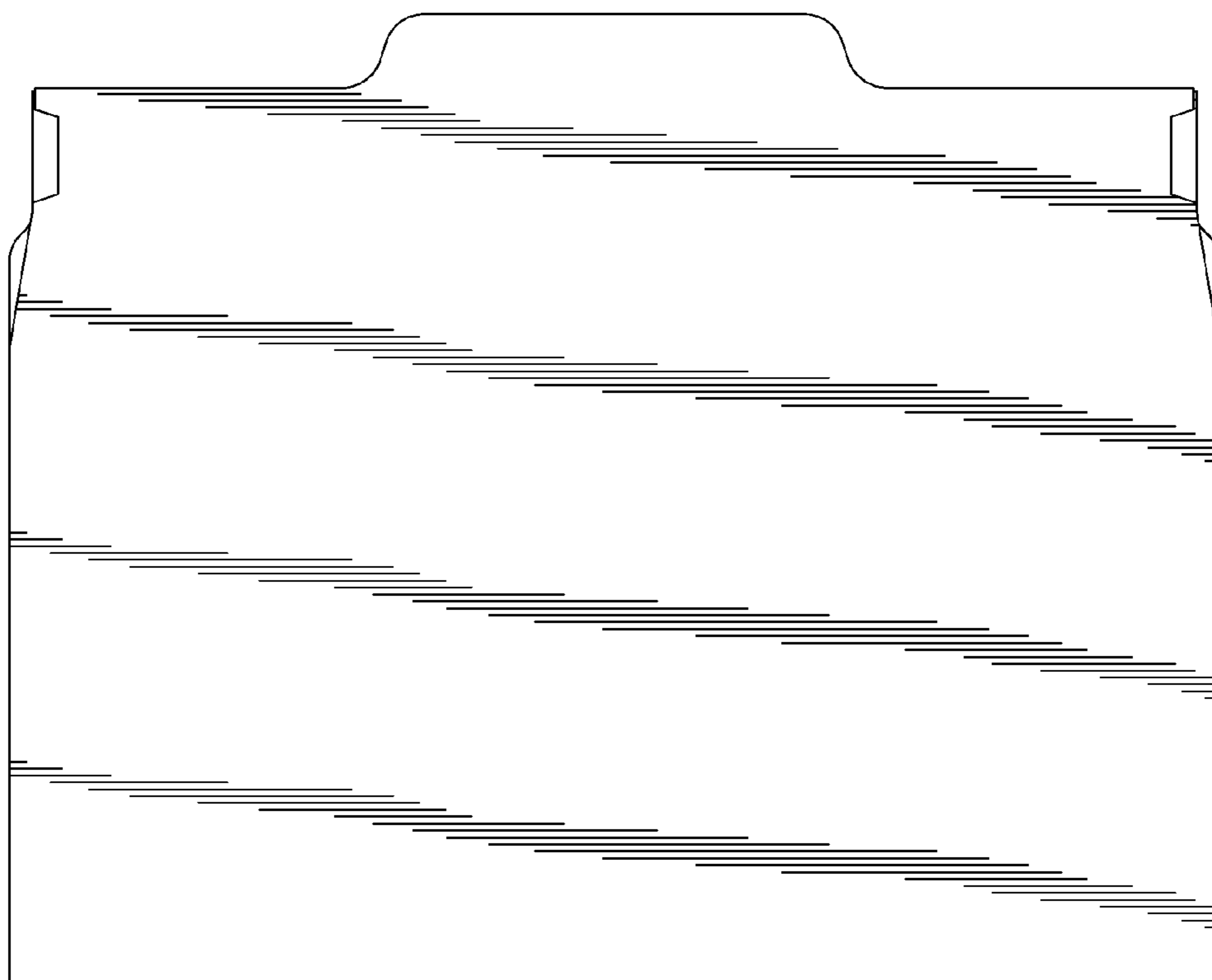


FIG. 4

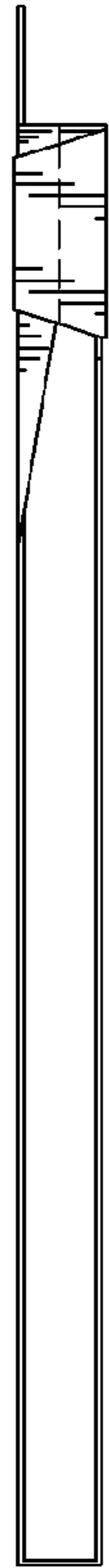


FIG. 5

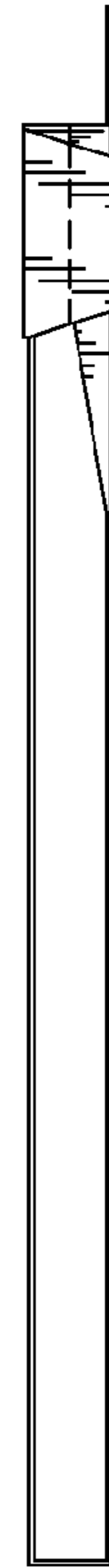


FIG. 6

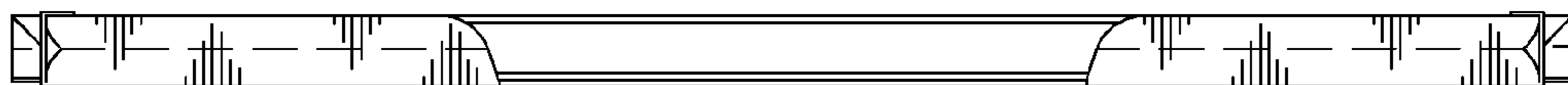


FIG. 7

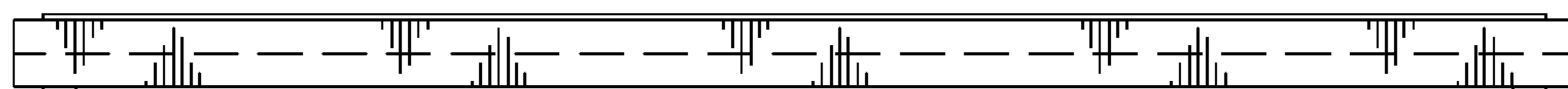


FIG. 8

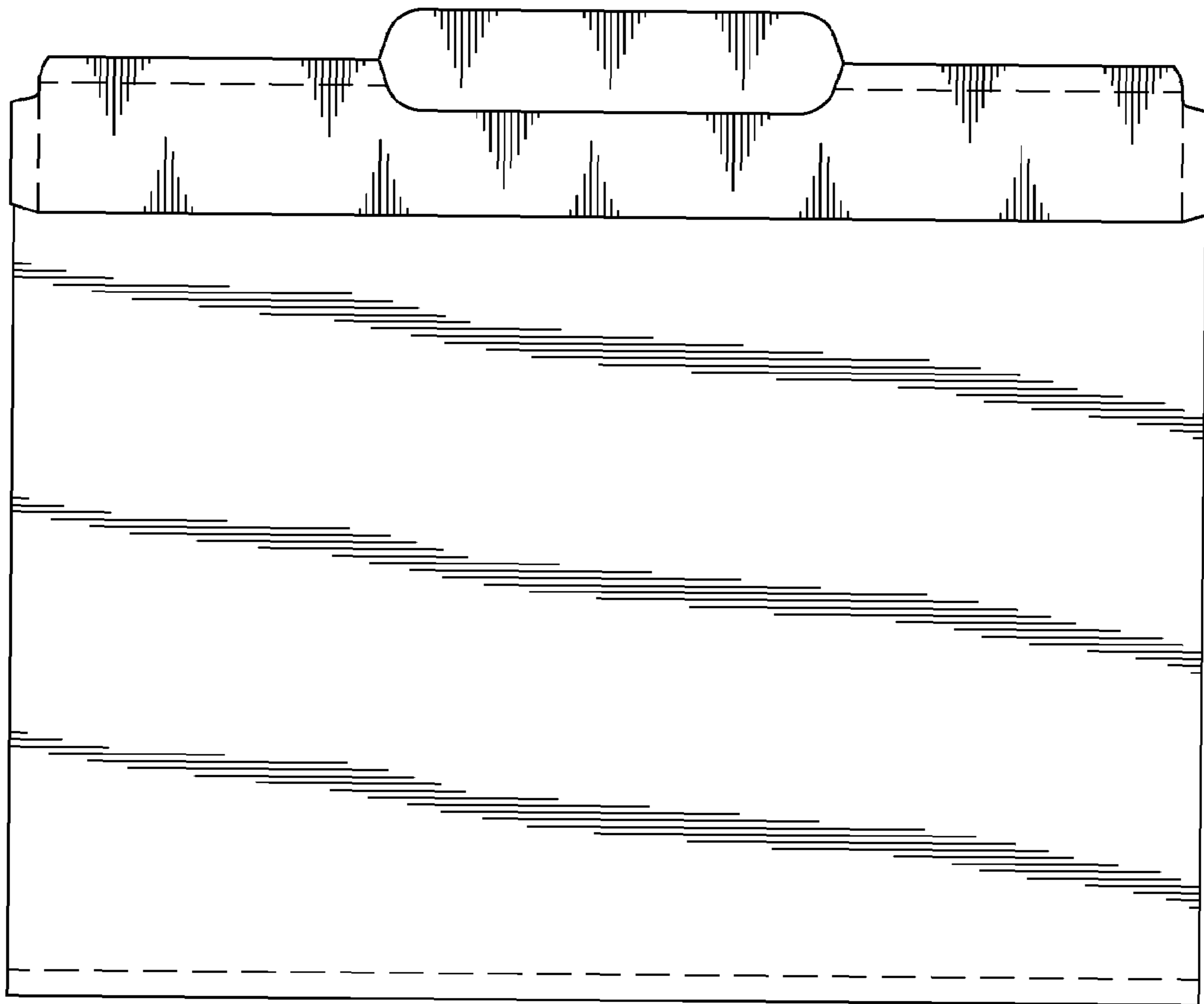


FIG. 9