



US00D588631S

(12) **United States Design Patent**
Nakamura et al.

(10) **Patent No.:** **US D588,631 S**
(45) **Date of Patent:** **** Mar. 17, 2009**

(54) **PRINTER UNIT FOR DUPLEX PRINTING**

(75) Inventors: **Kazuhisa Nakamura**, Suwa (JP);
Hideki Kato, Suwa (JP)

(73) Assignee: **Seiko Epson Corporation** (JP)

(**) Term: **14 Years**

(21) Appl. No.: **29/272,125**

(22) Filed: **Feb. 1, 2007**

(30) **Foreign Application Priority Data**

Sep. 25, 2006 (JP) 2006-025561
Sep. 25, 2006 (JP) 2006-025562

(51) **LOC (9) Cl.** **16-03**

(52) **U.S. Cl.** **D18/40**

(58) **Field of Classification Search** D14/471;
D18/12, 36-40, 43, 44, 46-49, 56; 222/DIG. 1;
347/197, 222; 399/24-28, 107-112, 119,
399/121, 122, 222-224

See application file for complete search history.

(56) **References Cited**

U.S. PATENT DOCUMENTS

D313,615 S * 1/1991 Tokuda D18/36
D313,616 S * 1/1991 Tokuda D18/36
D313,813 S * 1/1991 Tokuda D18/36
D321,712 S * 11/1991 Tsutsui D18/49
D518,851 S * 4/2006 Awano et al. D18/40

D520,051 S * 5/2006 Harumoto D18/40
D539,336 S * 3/2007 Goh et al. D18/46
2001/0008588 A1 * 7/2001 Numazu et al. 399/107

* cited by examiner

Primary Examiner—Caron Veynar

Assistant Examiner—Garth Rademaker

(74) *Attorney, Agent, or Firm*—Harness, Dickey & Pierce,
P.L.C.

(57) **CLAIM**

The ornamental design for a printer unit for duplex printing,
as shown and described.

DESCRIPTION

FIG. 1 is a rear view of a printer unit for duplex printing
showing our new design;

FIG. 2 is a front view thereof;

FIG. 3 is a right side view thereof;

FIG. 4 is a left side view thereof;

FIG. 5 is a top view thereof;

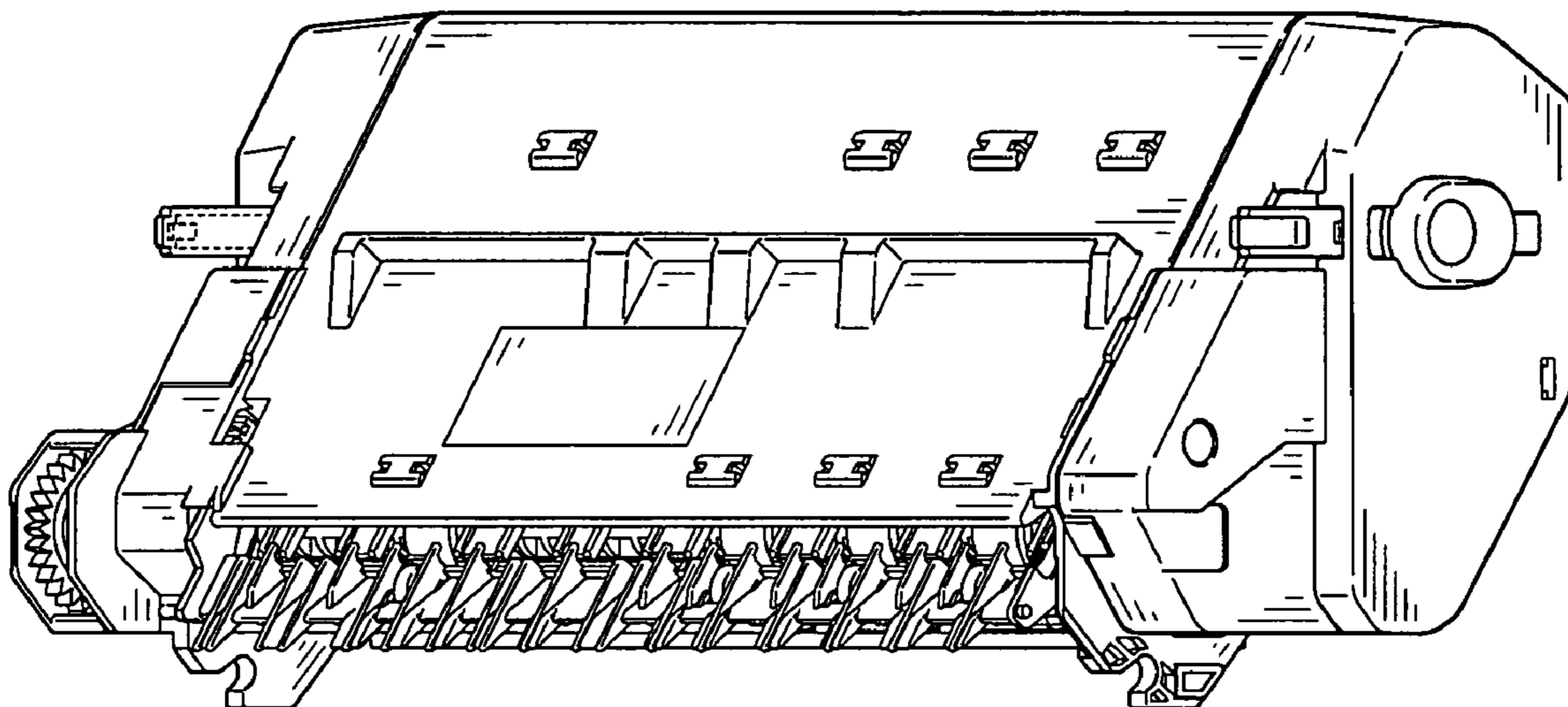
FIG. 6 is a bottom view thereof;

FIG. 7 is a rear perspective view thereof; and,

FIG. 8 is a perspective view showing the printer unit for
duplex printing in operable position in a printer.

The broken lines depict environmental subject matter only
and form no part of the claimed design.

1 Claim, 5 Drawing Sheets



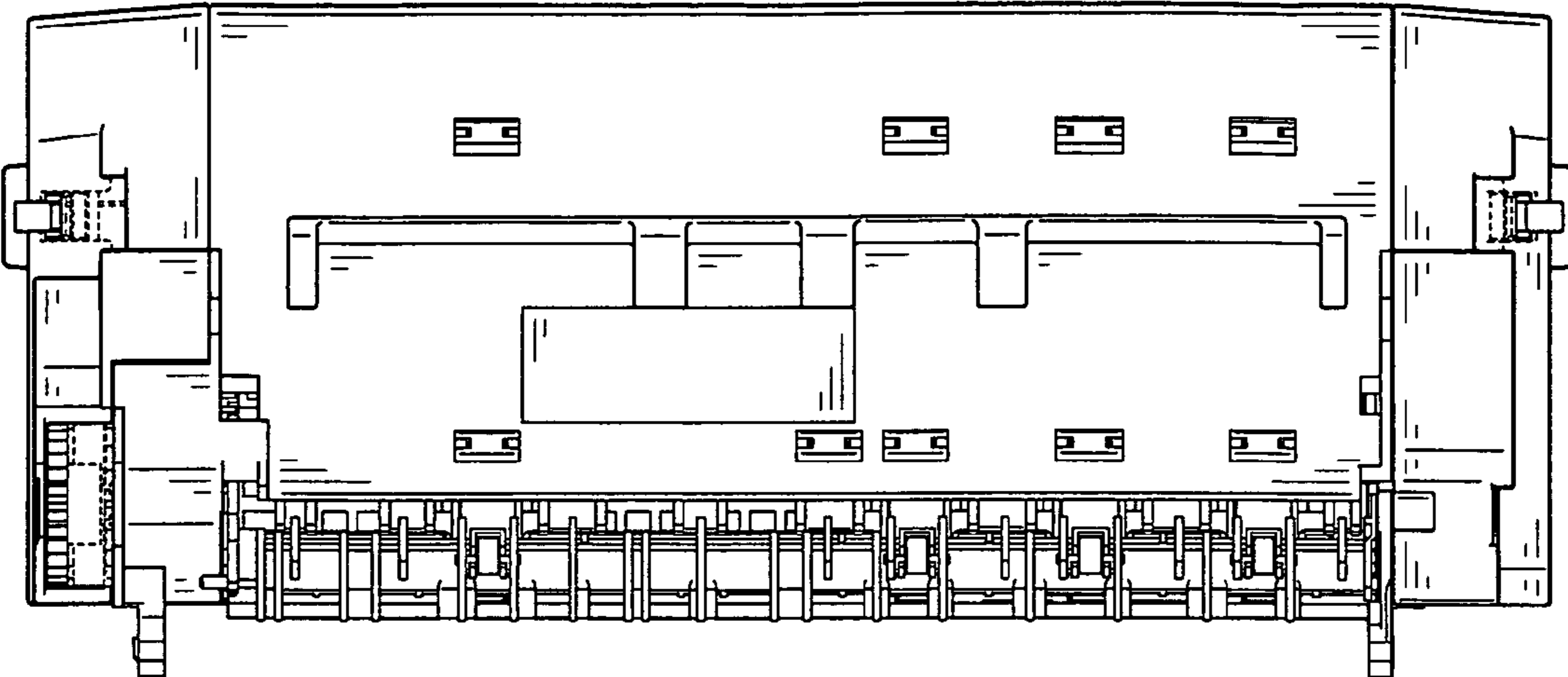


FIG. 1

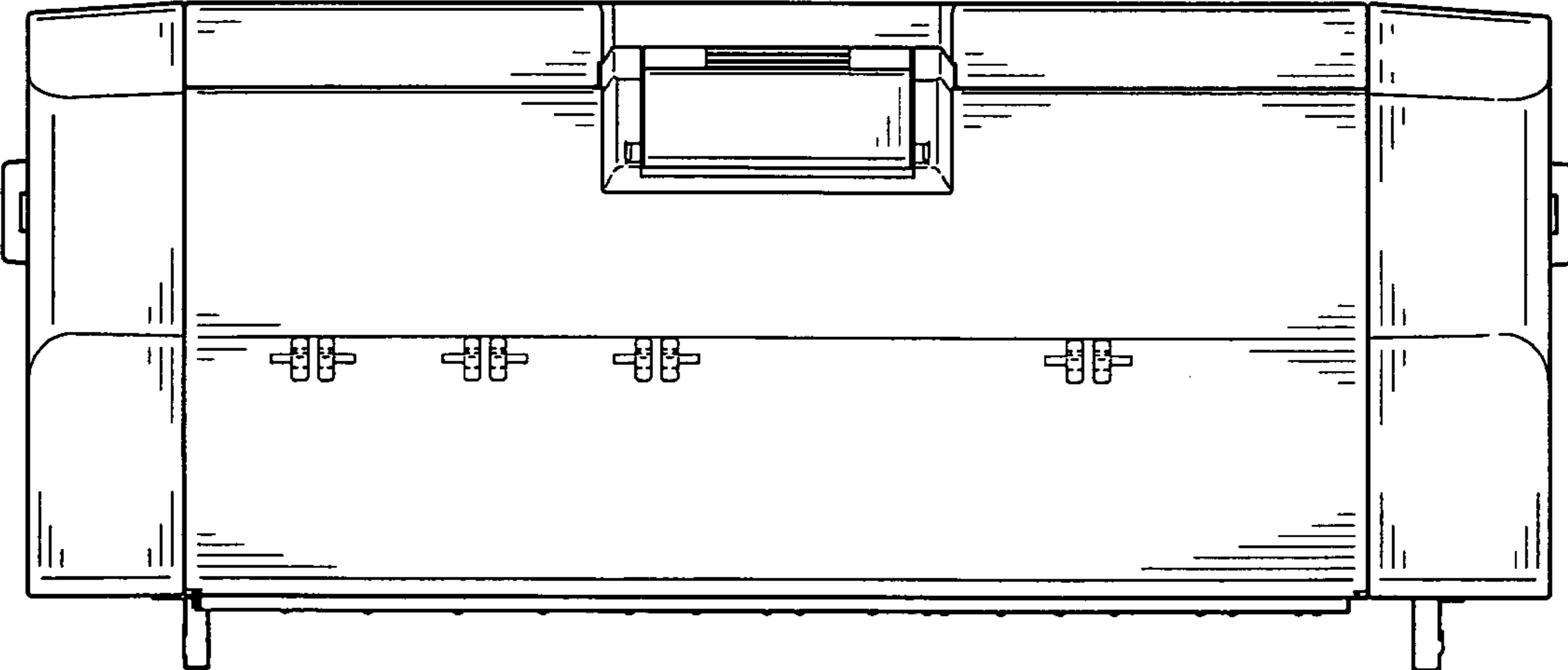


FIG. 2

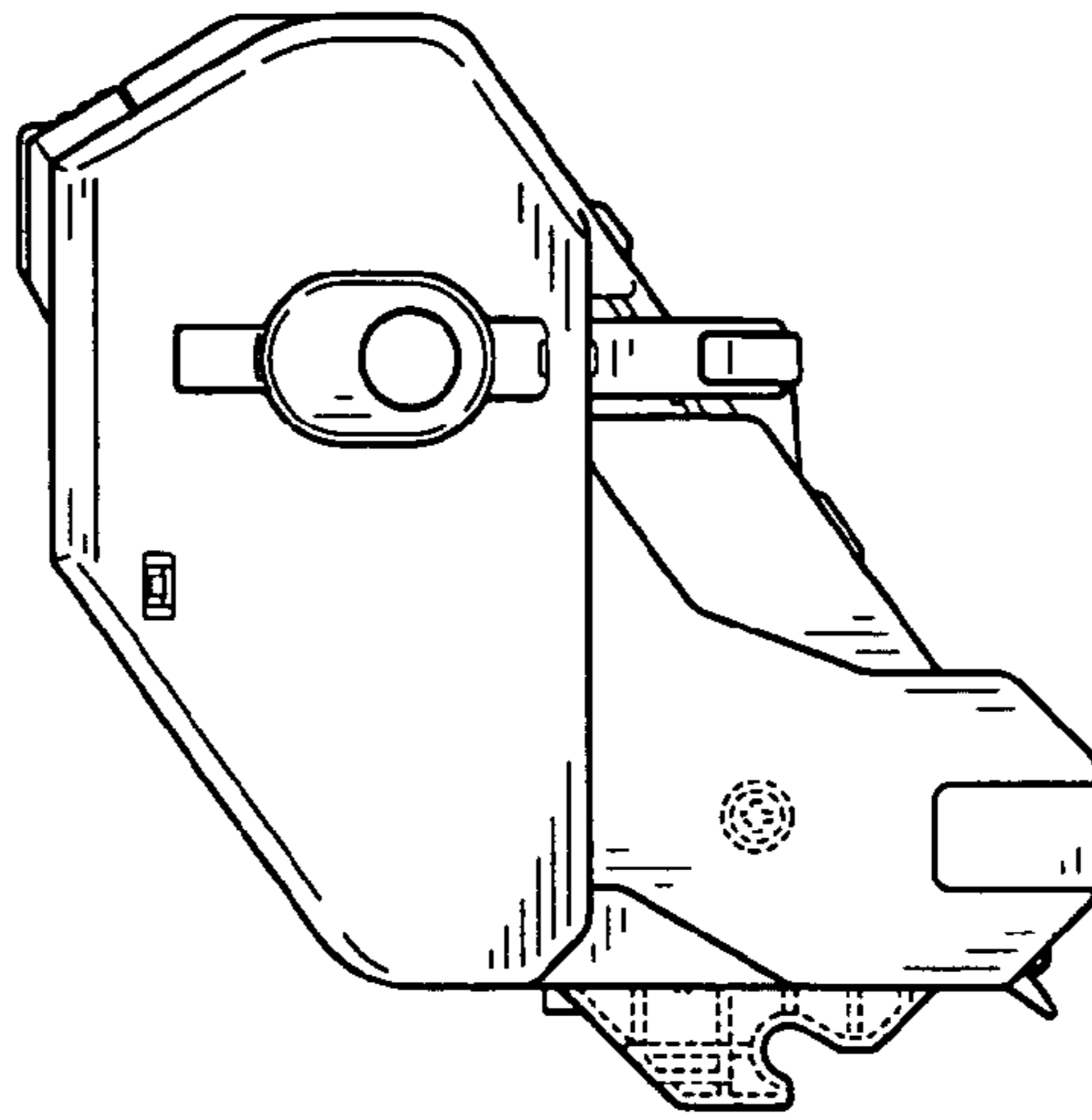


FIG. 3

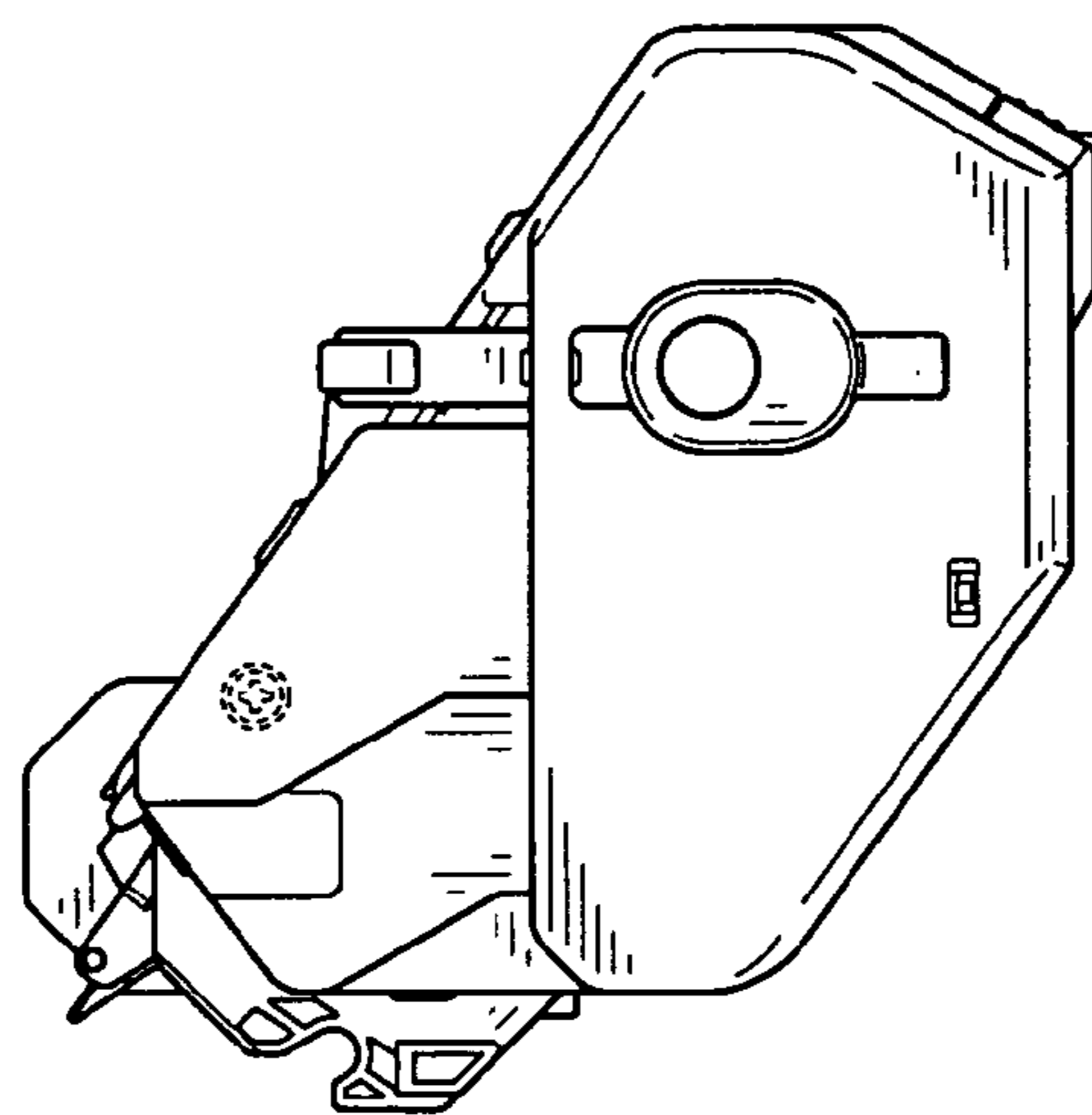


FIG. 4

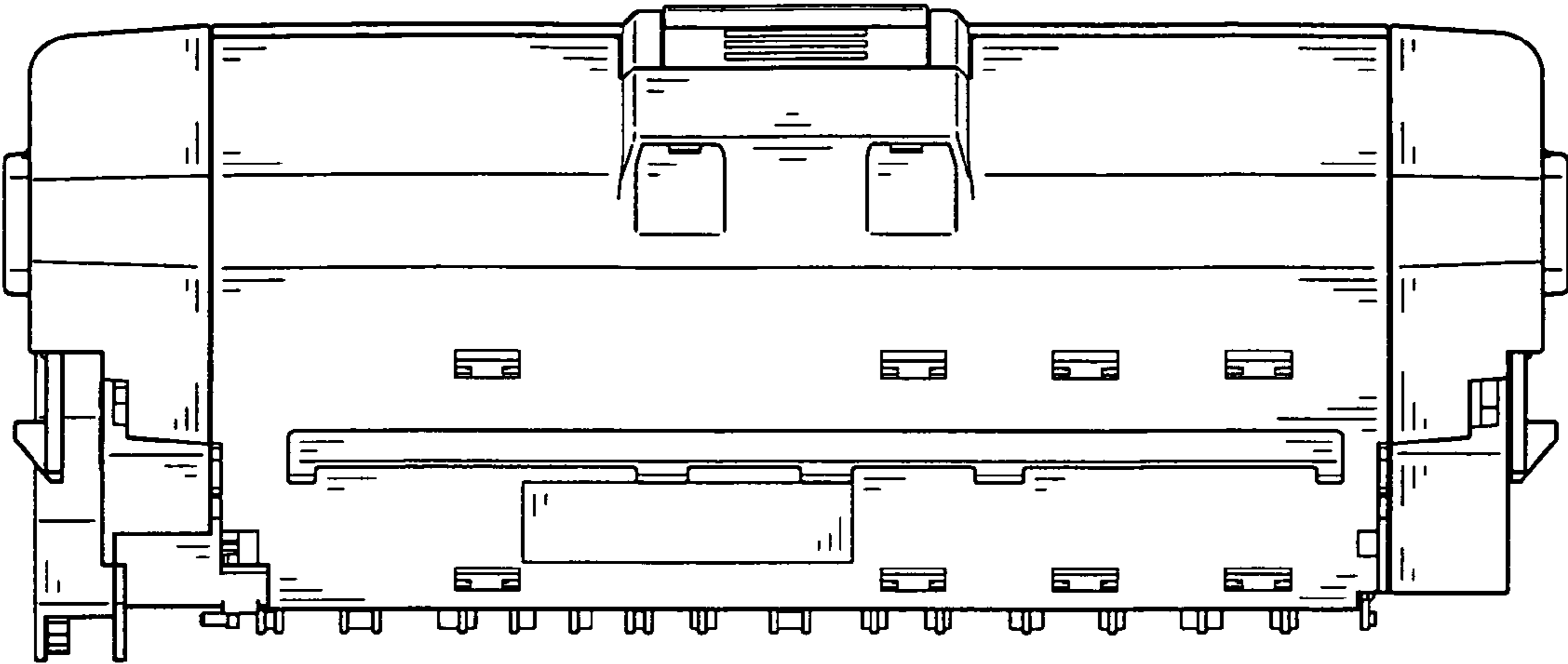


FIG. 5

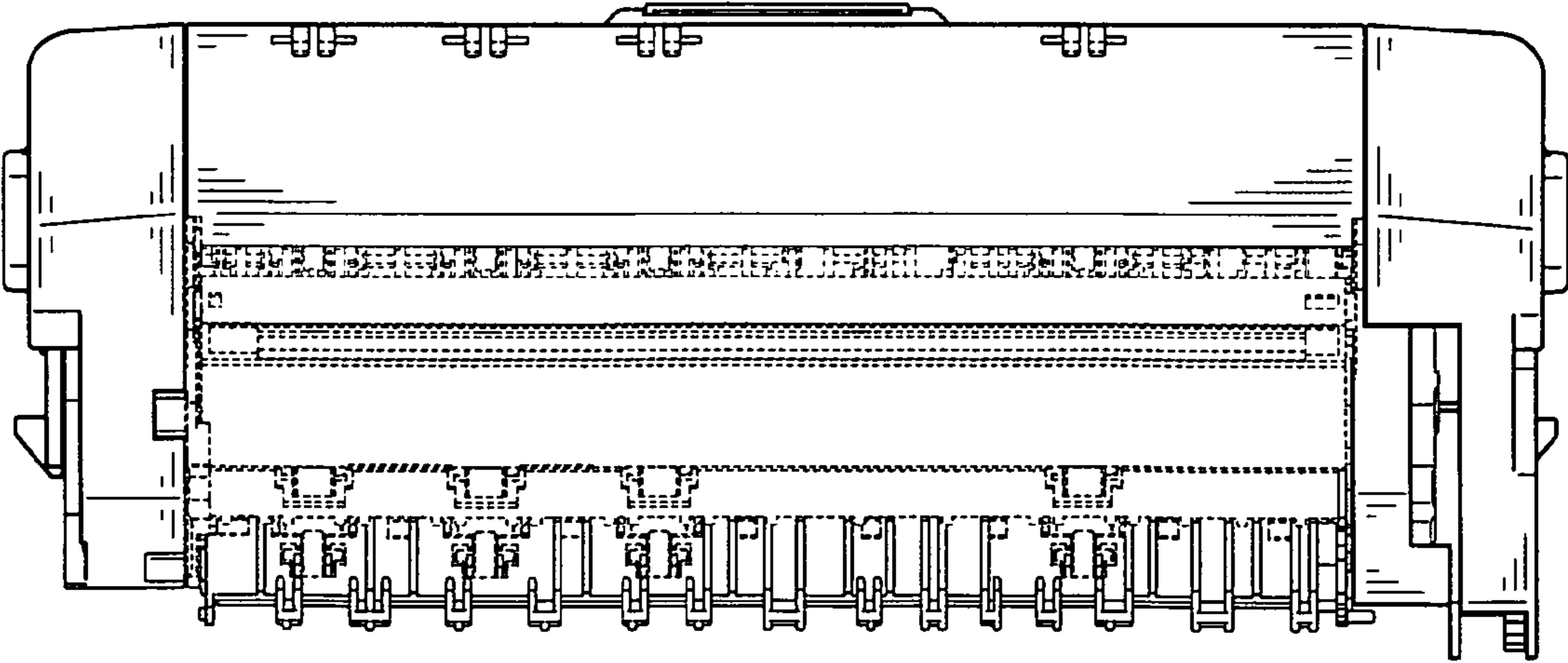


FIG. 6

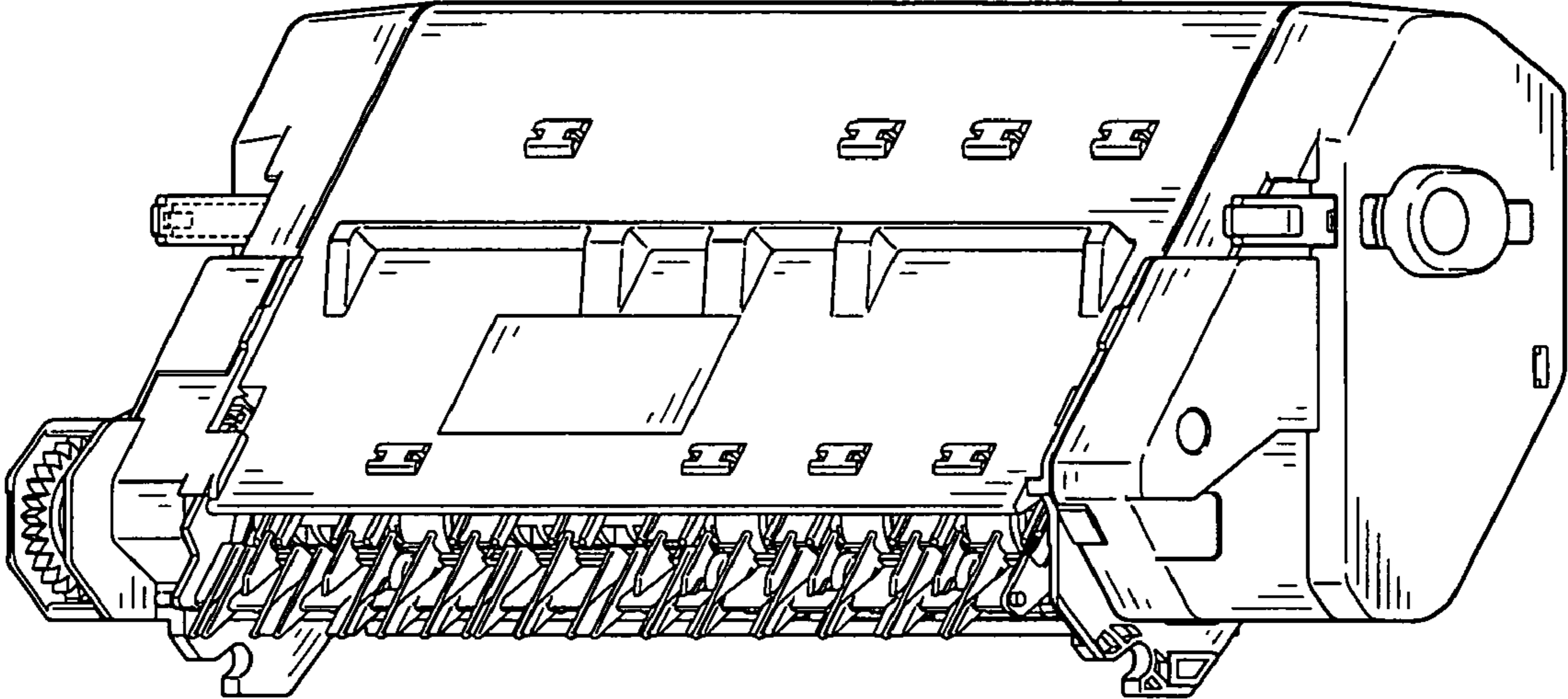


FIG. 7

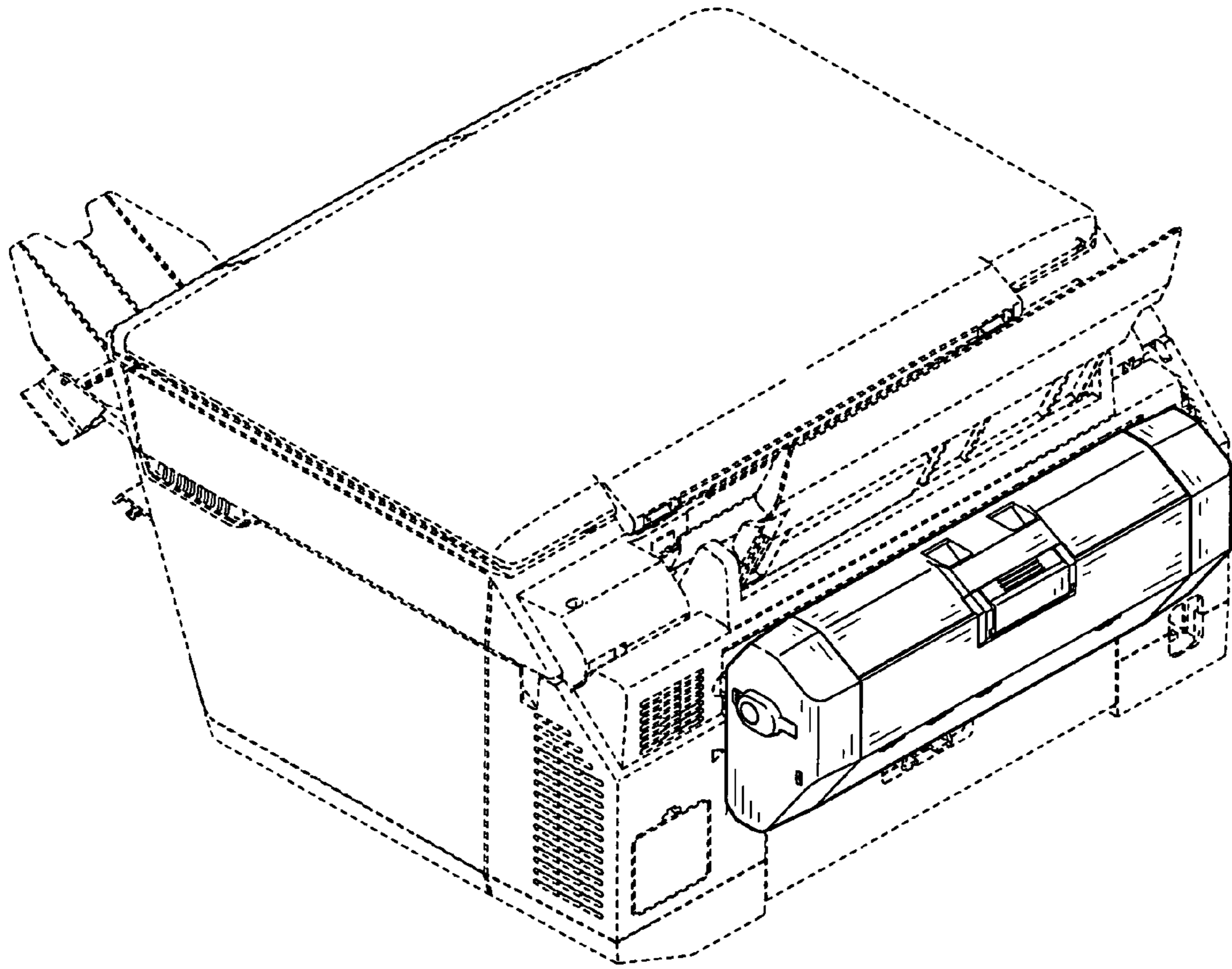


FIG. 8