



US00D588630S

(12) **United States Design Patent**
Erzen et al.

(10) **Patent No.:** **US D588,630 S**
(45) **Date of Patent:** **** Mar. 17, 2009**

(54) **PAYMENT DEVICE**

(75) Inventors: **Klemen Erzen**, Preddvor (SI); **Janez Staric**, Domzale (SI)

(73) Assignee: **ULTRA Proizvodnja elektronskih naprav d.o.o.** (SI)

(**) Term: **14 Years**

(21) Appl. No.: **29/297,450**

(22) Filed: **Nov. 12, 2007**

(51) **LOC (9) Cl.** **18-01**

(52) **U.S. Cl.** **D18/4.6**

(58) **Field of Classification Search** D14/336,
D14/371, 373-376, 385-387, 399; D18/3.1-3.3,
D18/4.1-4.6, 6-8, 11, 12, 12.1-12.3, 19;
D21/324, 329, 332, 333; D99/28, 34-36,
D99/43; 235/1 E, 2, 7 R, 12, 22, 33, 51,
235/52; 705/12, 15-18, 43

See application file for complete search history.

(56) **References Cited**

U.S. PATENT DOCUMENTS

- D386,781 S * 11/1997 Sasaki D18/4.6
- D388,075 S * 12/1997 Bayer et al. D14/420
- D423,471 S * 4/2000 Minemoto et al. D14/387
- D449,602 S * 10/2001 Yu et al. D14/336
- D451,603 S * 12/2001 Bastyr et al. D14/371

- D461,184 S * 8/2002 Chen D14/336
- D486,827 S * 2/2004 Detallante D14/420
- D505,421 S * 5/2005 Byers et al. D14/346
- D540,321 S * 4/2007 Hasegawa et al. D14/375
- D544,903 S * 6/2007 Henry et al. D18/4.6
- D550,276 S * 9/2007 Starič D18/4.4

* cited by examiner

Primary Examiner—Joel Sincavage

Assistant Examiner—Garth Rademaker

(74) *Attorney, Agent, or Firm*—Dickinson Wright PLLC

(57) **CLAIM**

The ornamental design for a payment device, as shown.

DESCRIPTION

FIG. 1 is a front view of a payment device showing the present invention;

FIG. 2 is a rear elevation view thereof;

FIG. 3 is a top plan view thereof;

FIG. 4 is a bottom plan view thereof;

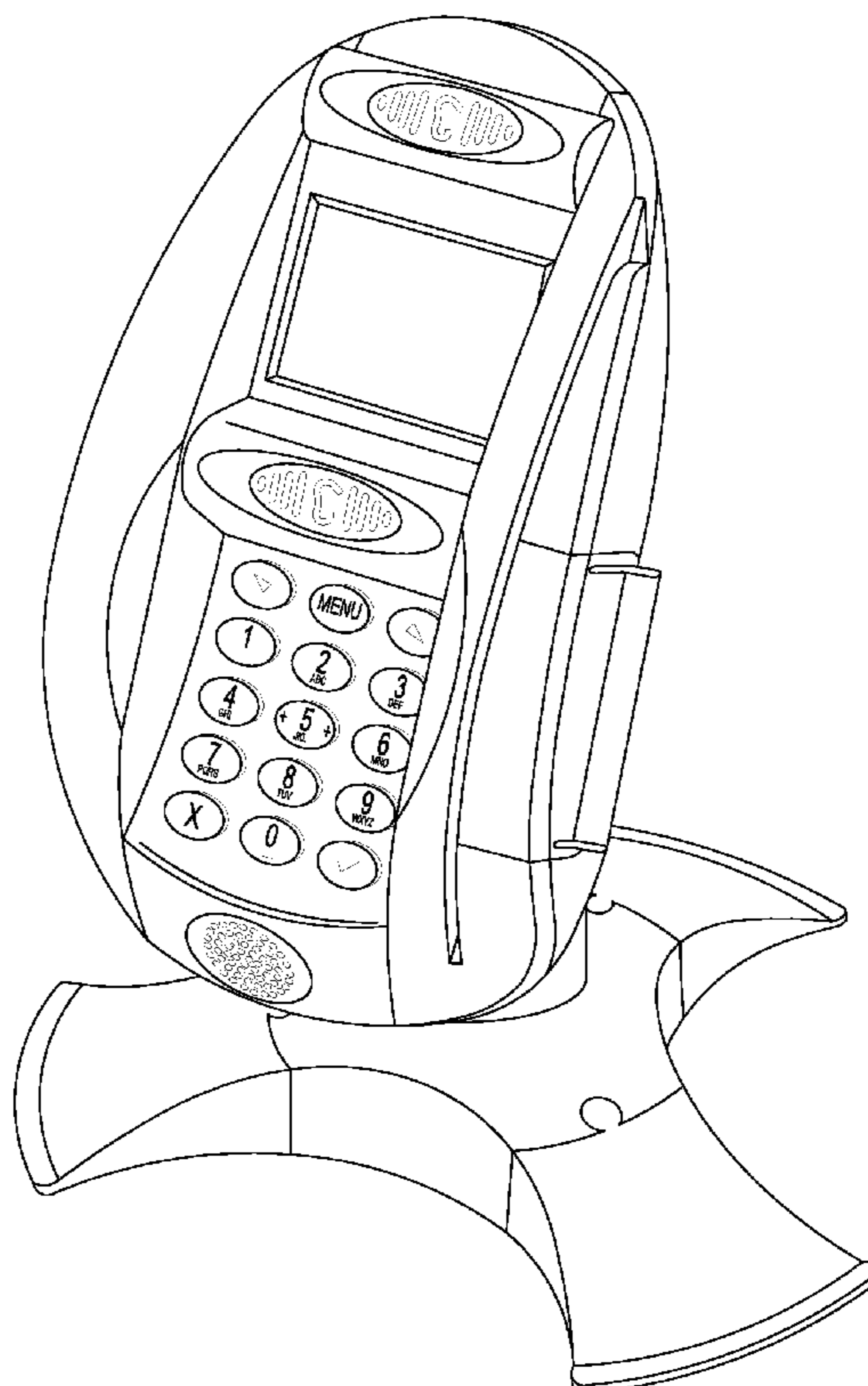
FIG. 5 is a right side elevation view thereof;

FIG. 6 is a left side elevation view thereof; and,

FIG. 7 is a perspective view thereof.

The broken lines depict environmental subject matter only and form no part of the claimed design.

1 Claim, 7 Drawing Sheets



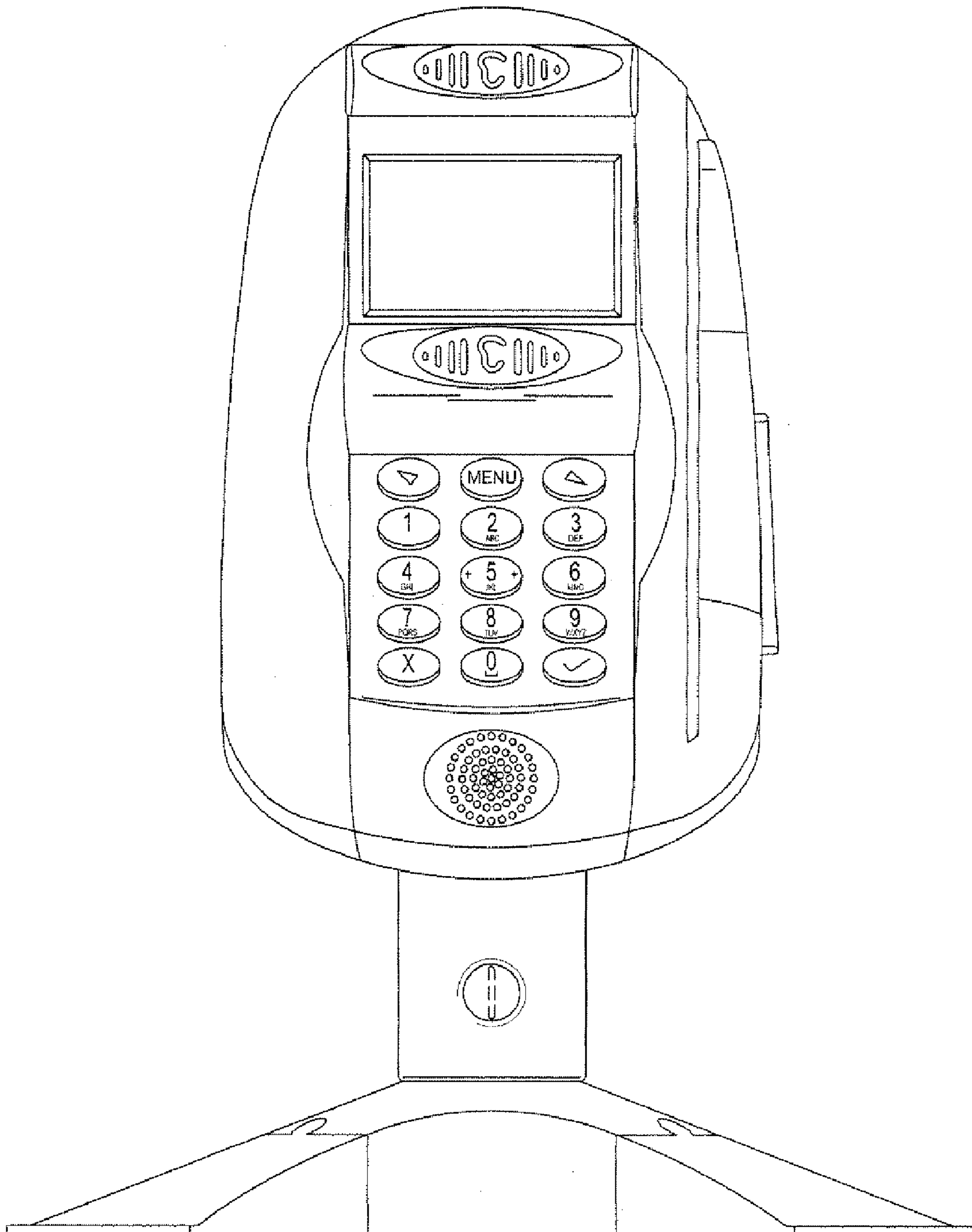


Fig-1

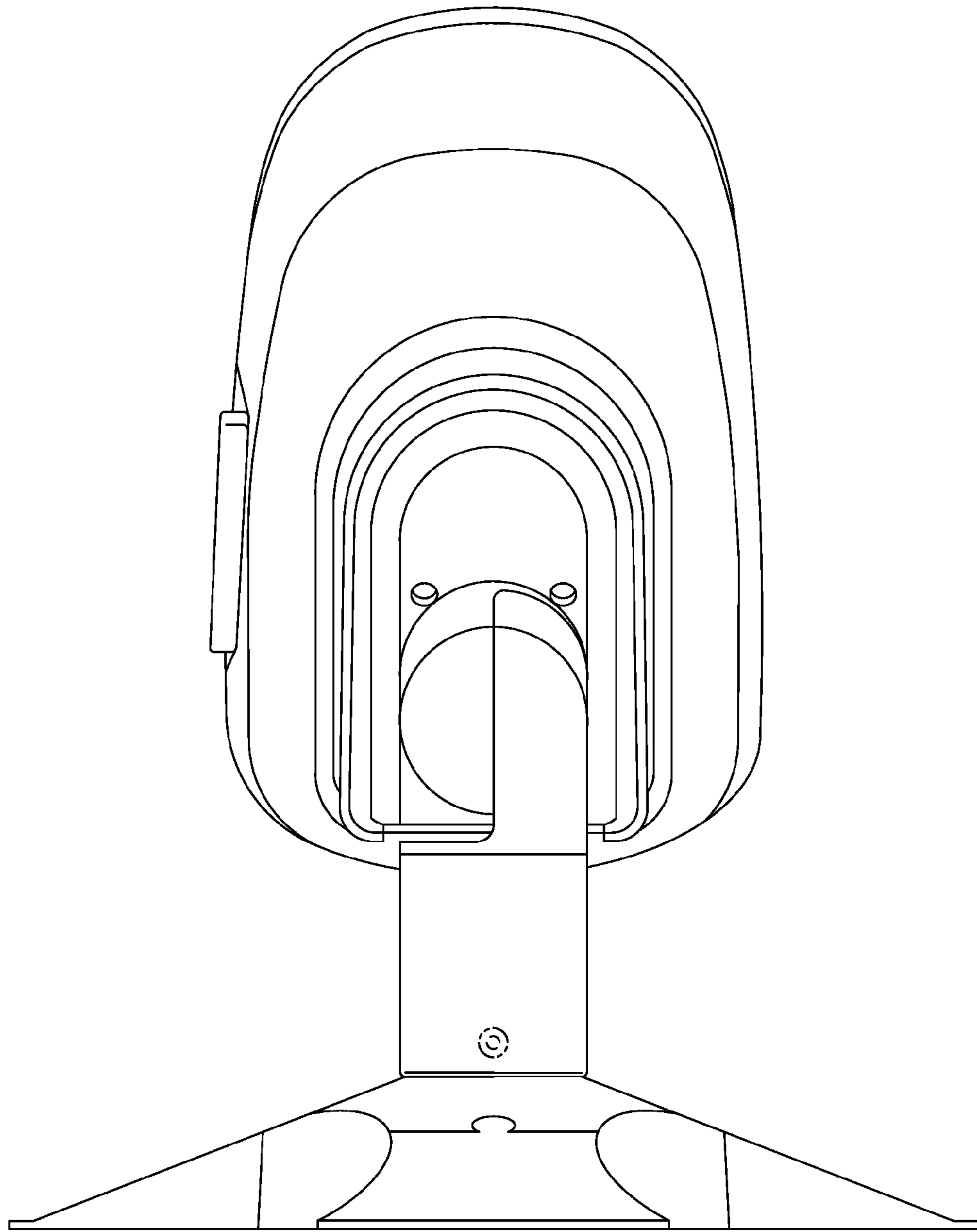


Fig-2

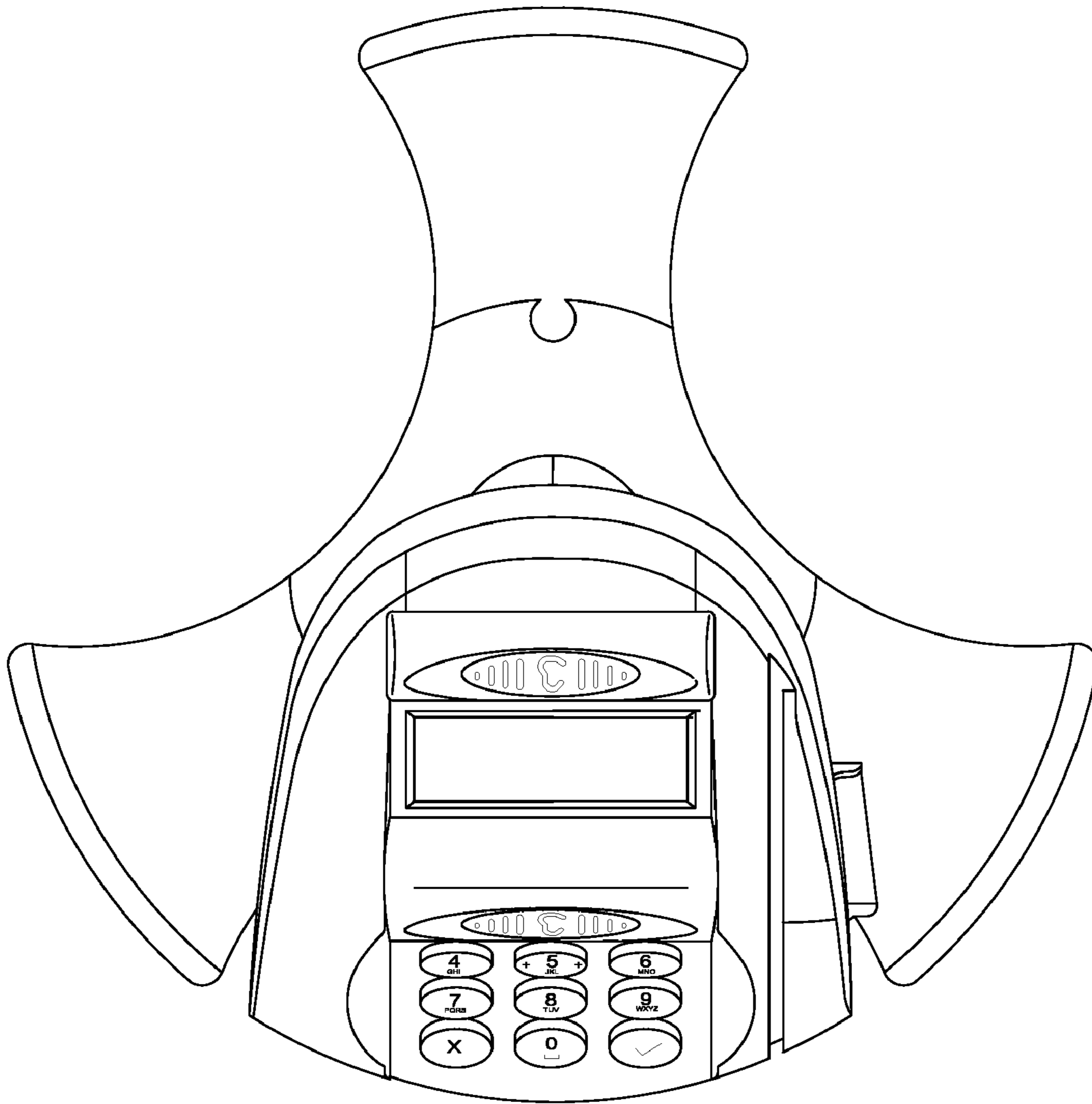


Fig-3

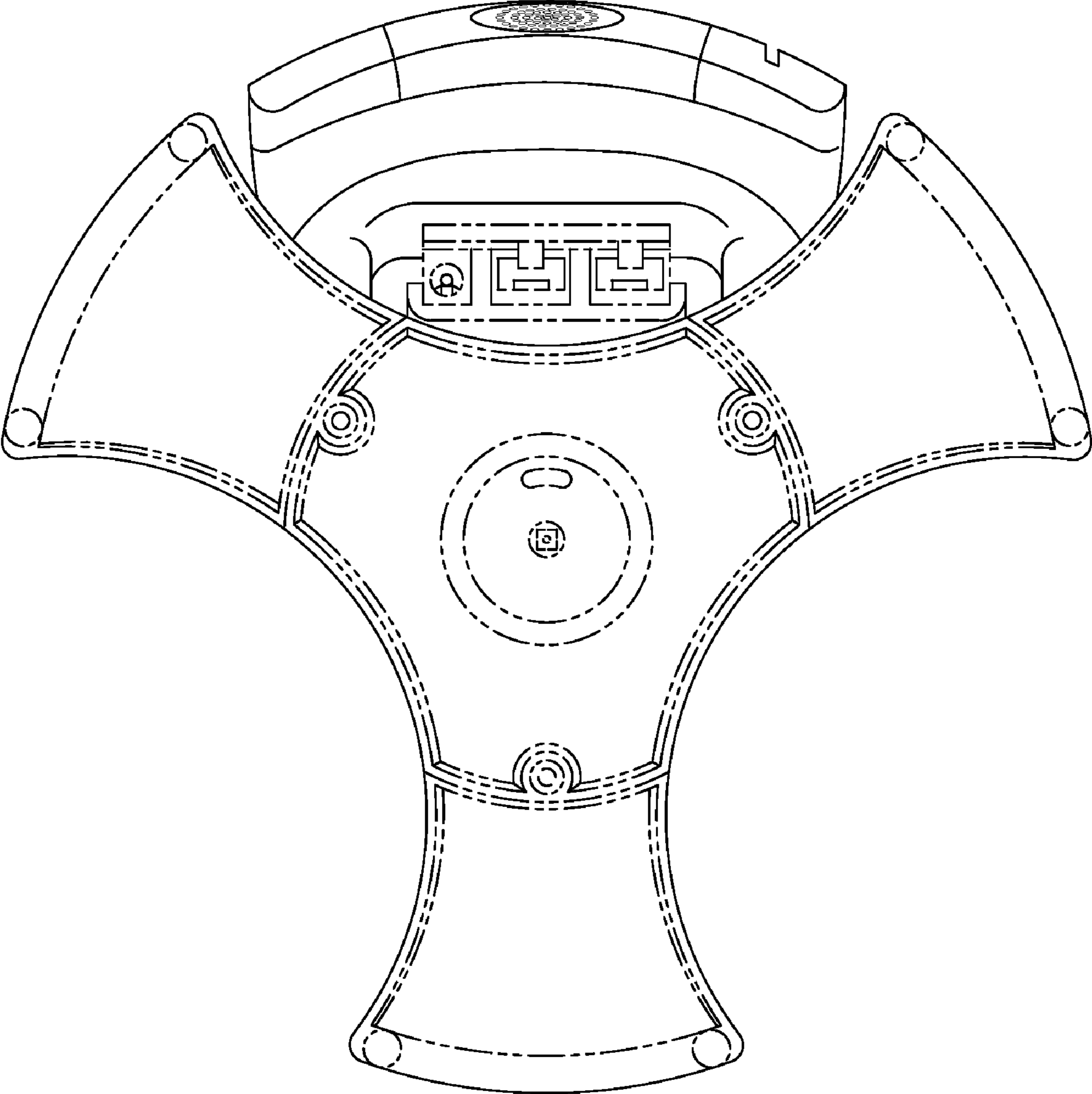


Fig-4

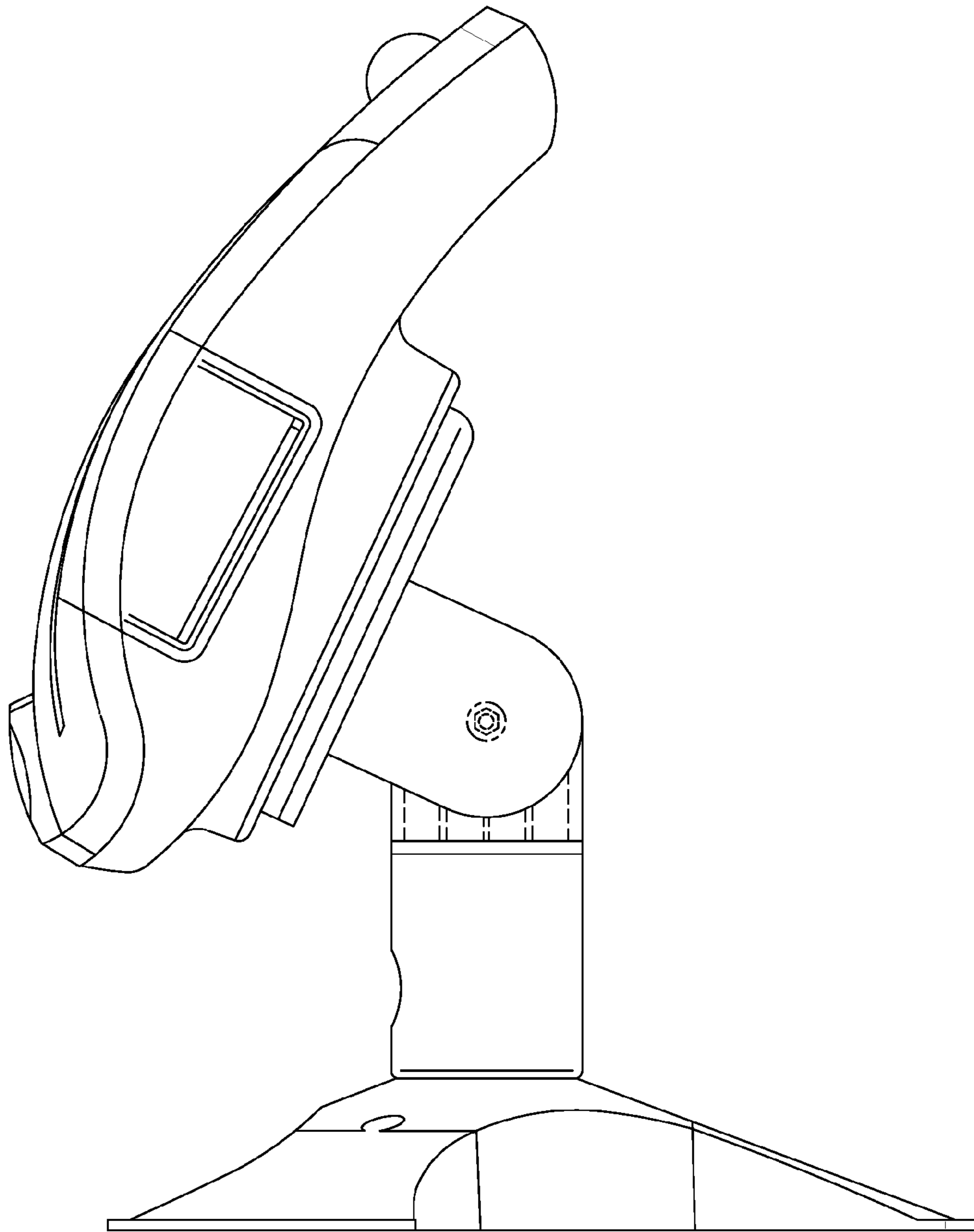


Fig-5

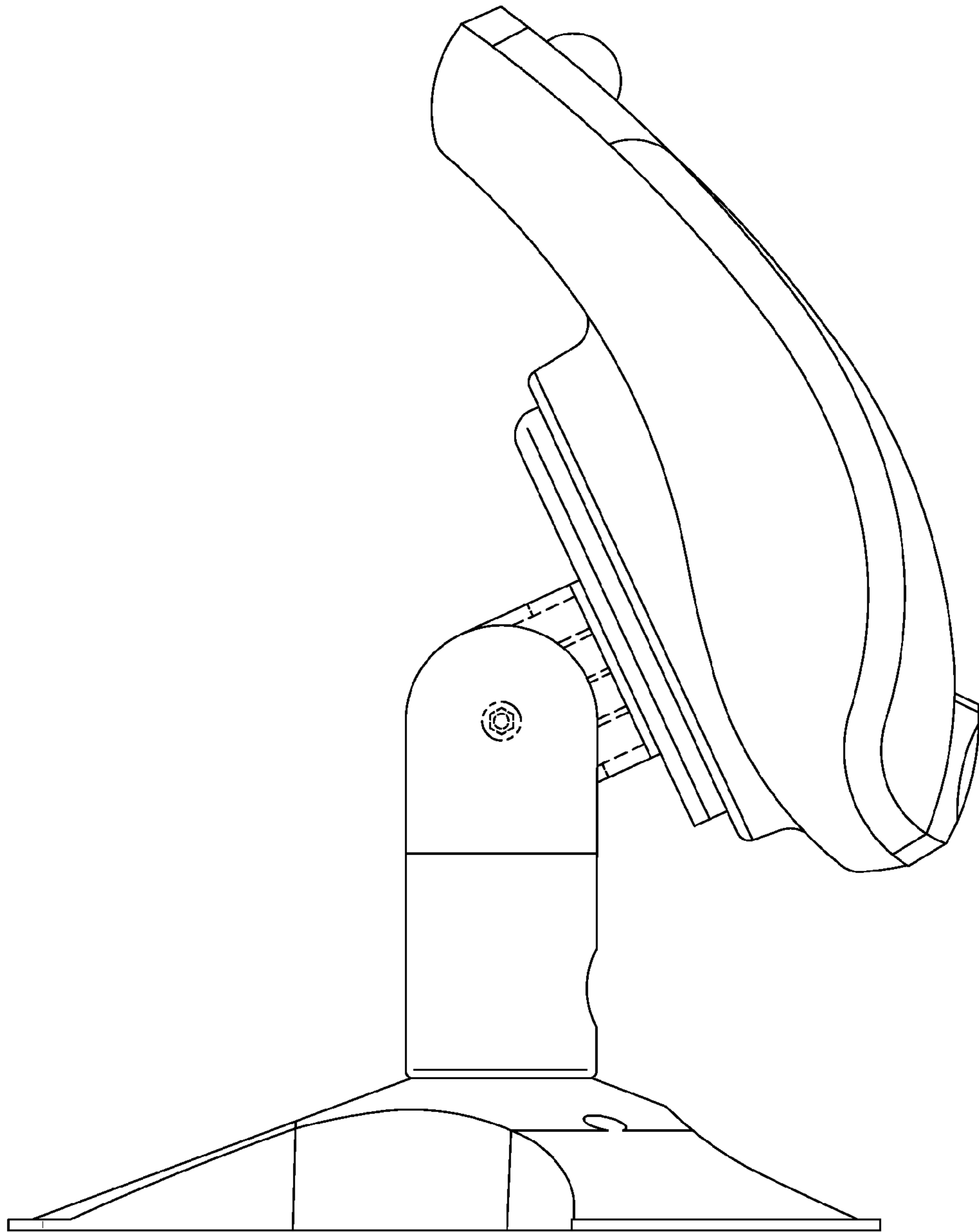


Fig-6

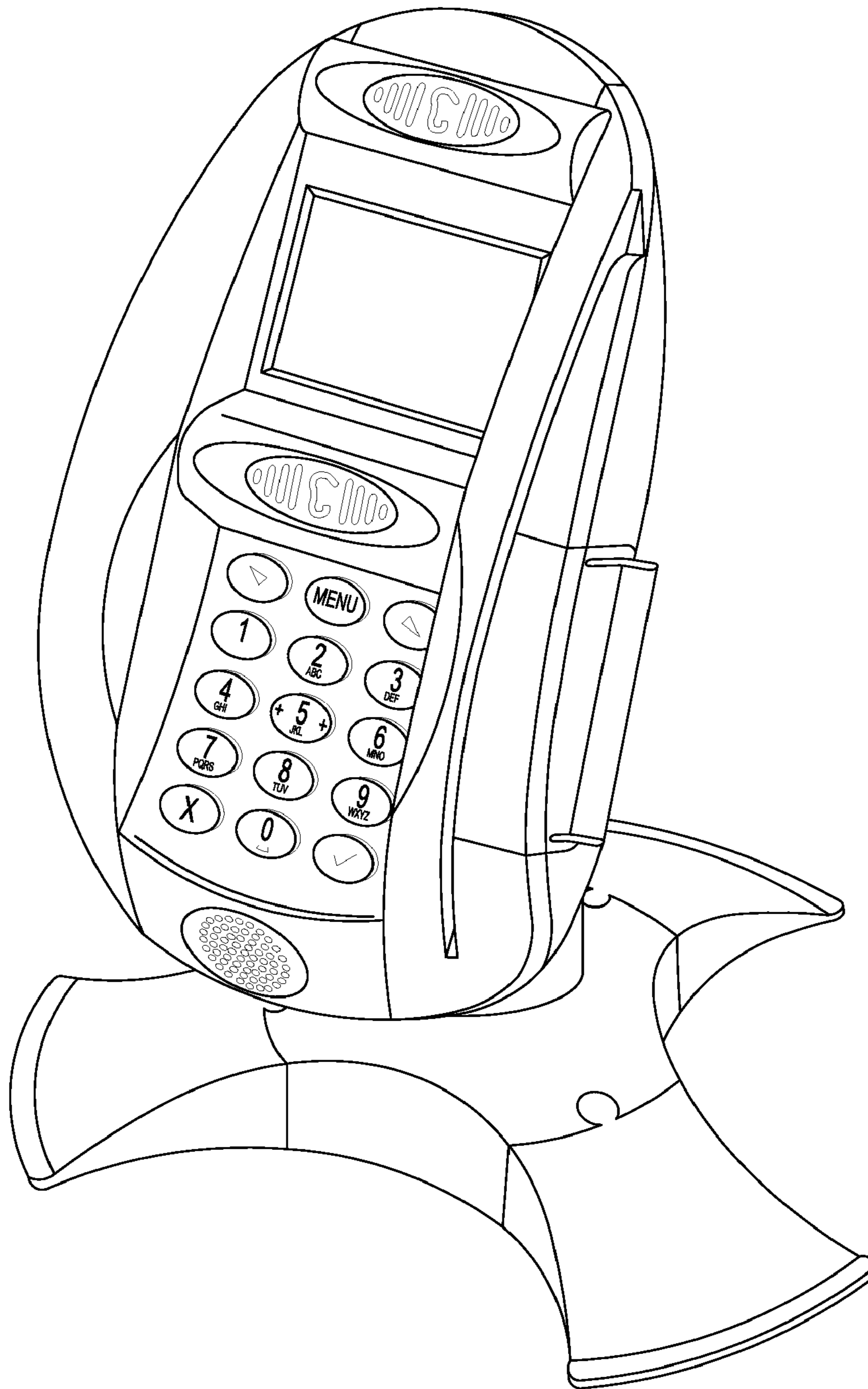


Fig-7