



US00D588623S

(12) **United States Design Patent**  
**Janik**

(10) **Patent No.:** **US D588,623 S**  
(45) **Date of Patent:** **\*\* Mar. 17, 2009**

(54) **MAGNIFYING GLASSES**

(76) Inventor: **Steffen Janik**, Fahnernstr. 2, Au (CH)  
9434

(\*\*) Term: **14 Years**

(21) Appl. No.: **29/291,660**

(22) Filed: **Sep. 7, 2007**

(30) **Foreign Application Priority Data**

Jul. 3, 2007 (EP) ..... 000684816

(51) **LOC (9) Cl.** ..... **16-06**

(52) **U.S. Cl.** ..... **D16/309**

(58) **Field of Classification Search** ..... D16/101,  
D16/300-342; D29/109-110; D24/110.2;  
351/41, 44, 51-52, 62, 158, 92, 103-123,  
351/140, 153; 2/426-432, 447-449, 441,  
2/434-437; D21/483, 659-661  
See application file for complete search history.

(56) **References Cited**

**U.S. PATENT DOCUMENTS**

2,389,428 A \* 11/1945 Glasser ..... 351/158

D196,000 S \* 8/1963 McNeill ..... D16/315  
D296,337 S \* 6/1988 Caplan ..... D16/133  
D333,828 S \* 3/1993 Baldassarre ..... D16/133  
5,541,767 A \* 7/1996 Murphy et al. .... 351/158  
5,652,636 A \* 7/1997 Feinbloom ..... 351/58  
D446,798 S \* 8/2001 Feinbloom et al. .... D16/132  
6,799,847 B2 \* 10/2004 Caplan ..... 351/128  
D564,011 S \* 3/2008 Beate et al. .... D16/309

\* cited by examiner

*Primary Examiner*—Raphael Barkai

(74) *Attorney, Agent, or Firm*—Olson & Cepuritis, Ltd.

(57) **CLAIM**

The ornamental design for magnifying glasses, as shown and described.

**DESCRIPTION**

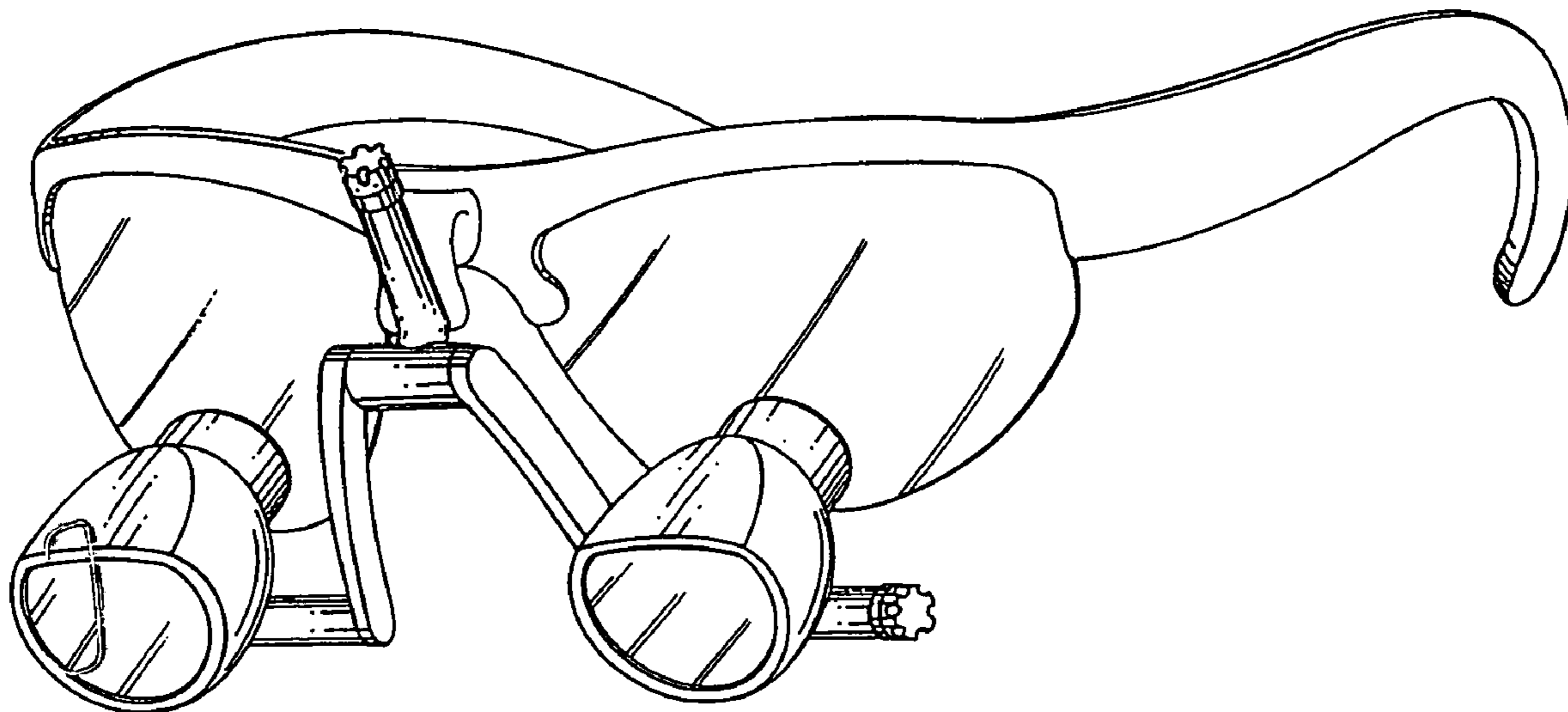
FIG. 1 is a front perspective view of magnifying glasses;

FIG. 2 is a top view of the magnifying glasses of FIG. 1;

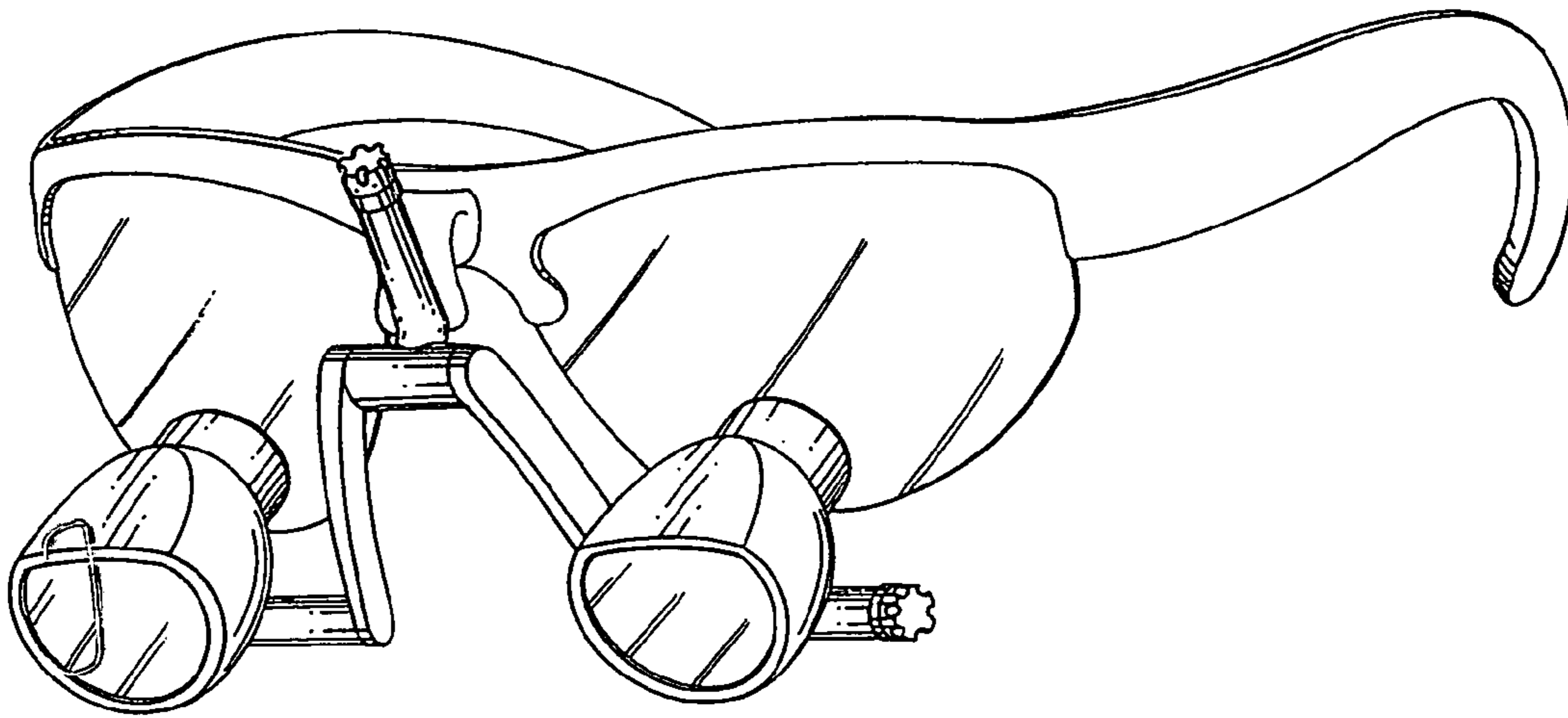
FIG. 3 is a front elevational view of the magnifying glasses of FIG. 1; and,

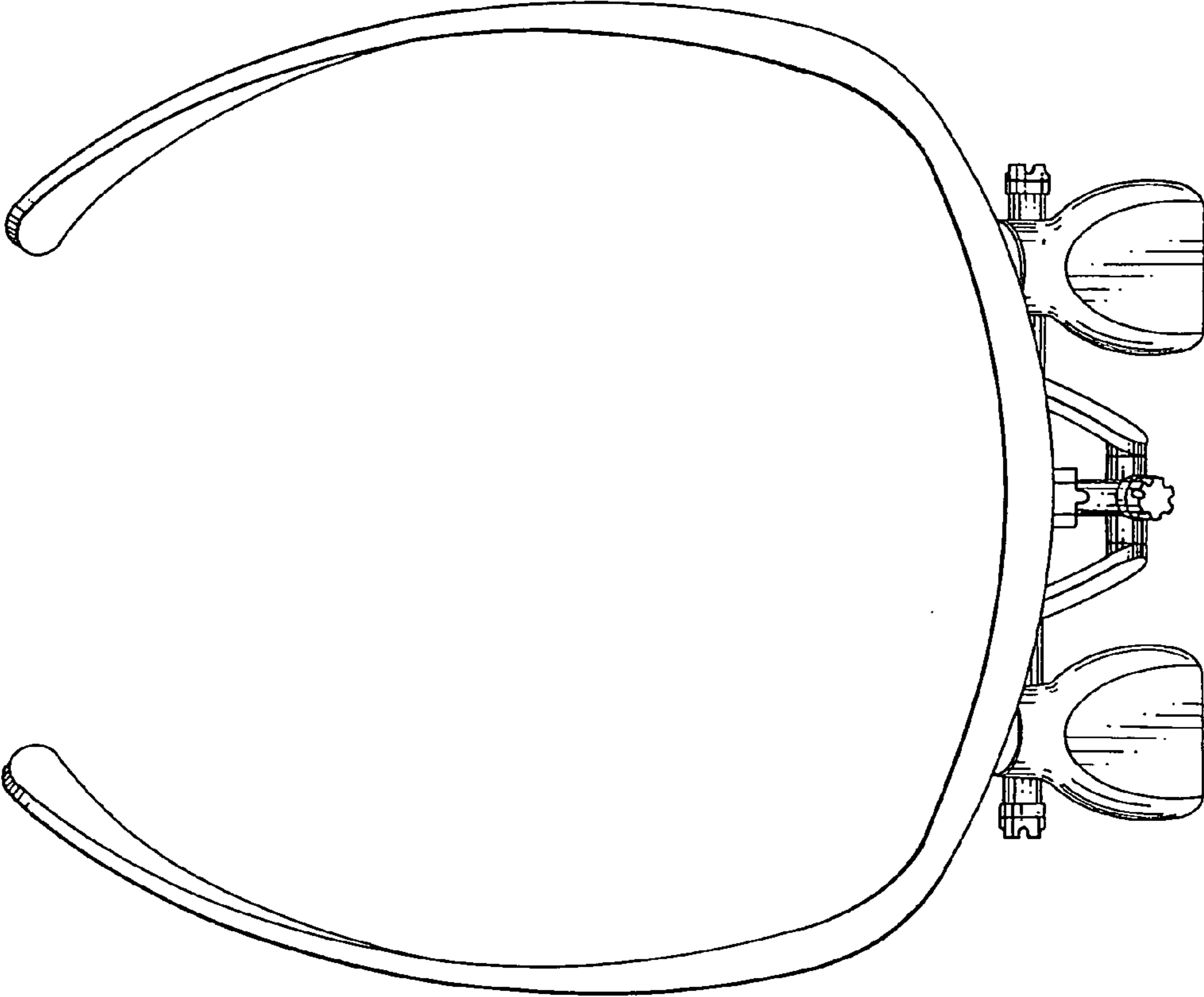
FIG. 4 is a side elevational view of the magnifying glasses of FIG. 1.

**1 Claim, 4 Drawing Sheets**

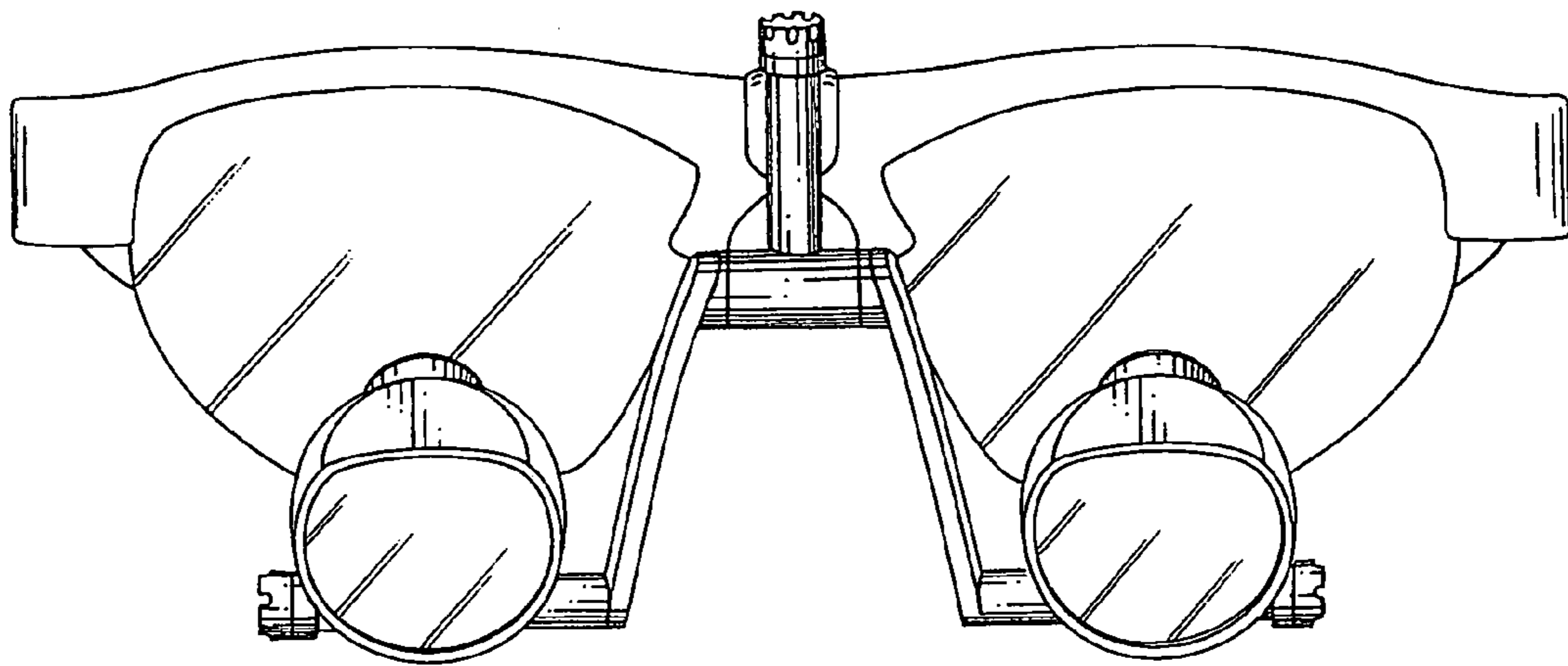


*Fig. 1*

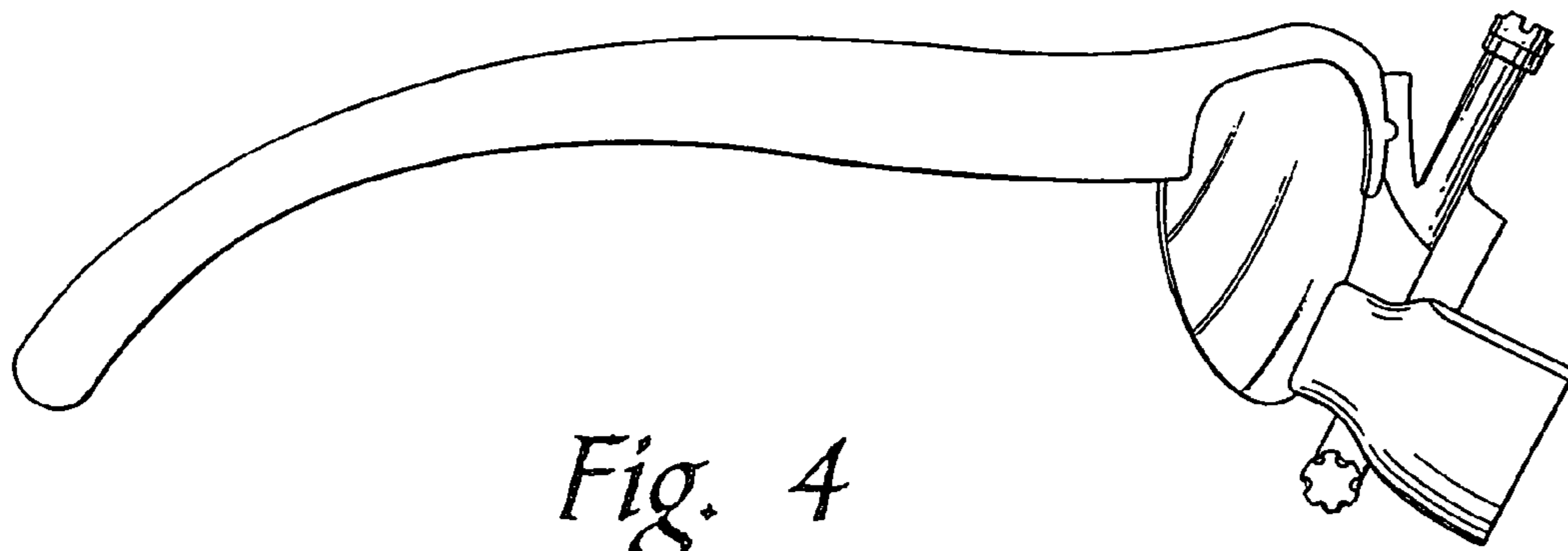




*Fig. 2*



*Fig. 3*



*Fig. 4*