



US00D588621S

(12) **United States Design Patent**
Baty

(10) **Patent No.:** **US D588,621 S**
(45) **Date of Patent:** **** Mar. 17, 2009**

(54) **CAMERA JIB**

6,752,541 B1 * 6/2004 Dykyj 396/428
D539,827 S * 4/2007 Ebeid D16/242

(75) Inventor: **Jonathan Clinton Montoya Baty**,
Greenville, SC (US)

* cited by examiner

(73) Assignee: **BC Media, Inc.**, Greenville, SC (US)

Primary Examiner—Adir Aronovich

(74) *Attorney, Agent, or Firm*—J. Bennett Mullinax, LLC

(**) Term: **14 Years**

(57) **CLAIM**

(21) Appl. No.: **29/301,619**

The ornamental design of a camera jib, as shown and described.

(22) Filed: **Mar. 10, 2008**

(51) **LOC (9) Cl.** **16-05**

(52) **U.S. Cl.** **D16/242**

(58) **Field of Classification Search** D16/242,
D16/244, 245; D34/36; 248/176.1, 187.1,
248/123.2, 123.11; 352/243; 396/419, 428
See application file for complete search history.

DESCRIPTION

FIG. 1 is a right side perspective view of a camera jib showing my new design;

FIG. 2 is a front elevation view of the camera jib;

FIG. 3 is a back elevation view of the camera jib;

FIG. 4 is a left side elevation view of the camera jib;

FIG. 5 is a right side elevation view of the camera jib;

FIG. 6 is a top plan view of the camera jib; and,

FIG. 7 is a bottom plan view of the camera jib.

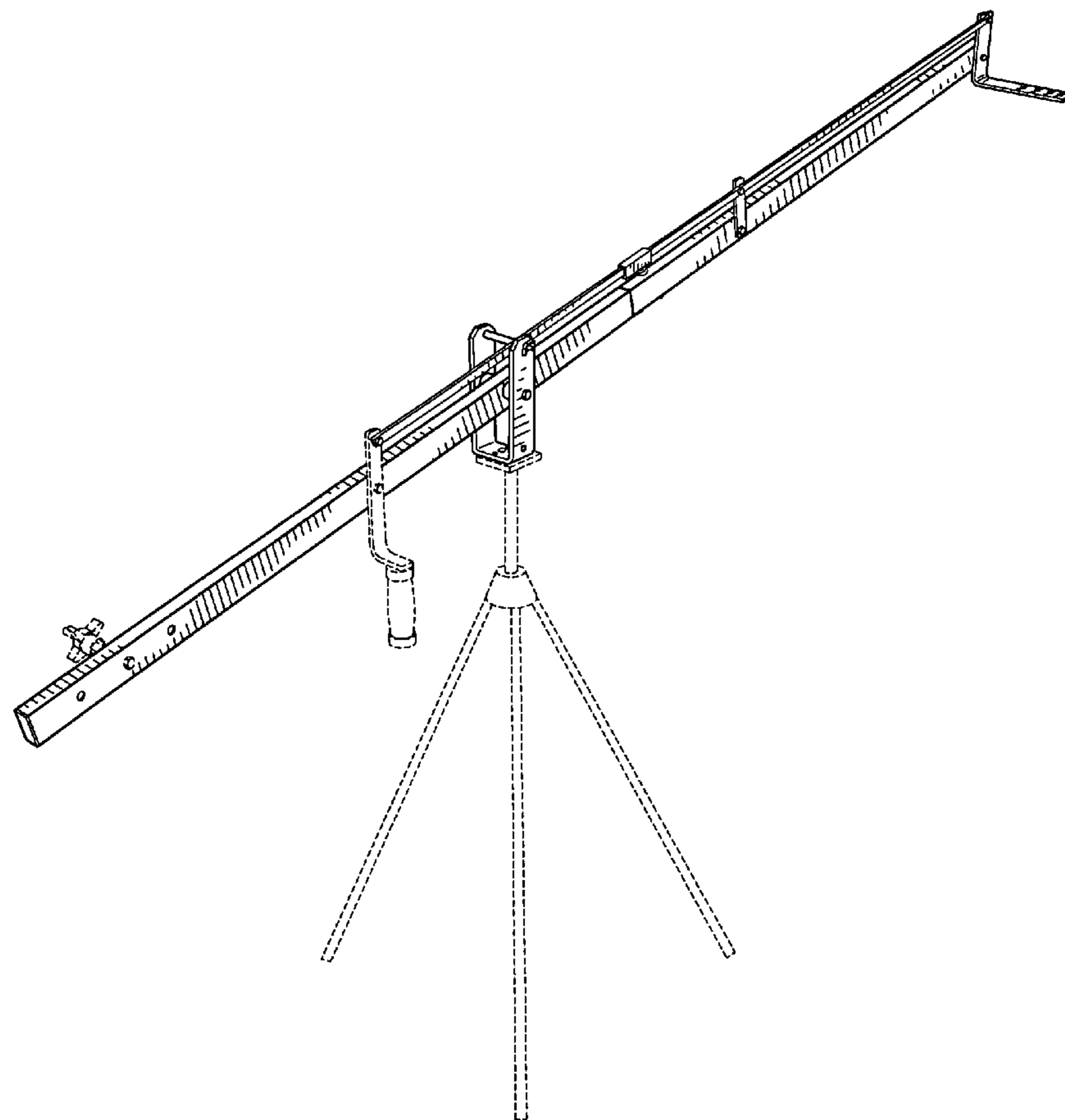
The broken lines in FIGS. 1–7 setting forth additional portions of the camera jib are for illustrative purposes only and form no part of the claimed design.

(56) **References Cited**

U.S. PATENT DOCUMENTS

| | | | | | |
|-----------|-----|--------|---------------------|-------|-----------|
| 1,942,925 | A * | 1/1934 | Jenkins | | 248/123.2 |
| 2,156,862 | A * | 5/1939 | Maugard | | 248/123.2 |
| D238,903 | S * | 2/1976 | Colvig | | D16/242 |
| 4,671,478 | A * | 6/1987 | Schoenig et al. | | 248/123.2 |
| 4,849,778 | A * | 7/1989 | Samuelson | | 396/428 |
| 4,952,953 | A * | 8/1990 | Ridderstolpe et al. | | 352/243 |

1 Claim, 5 Drawing Sheets



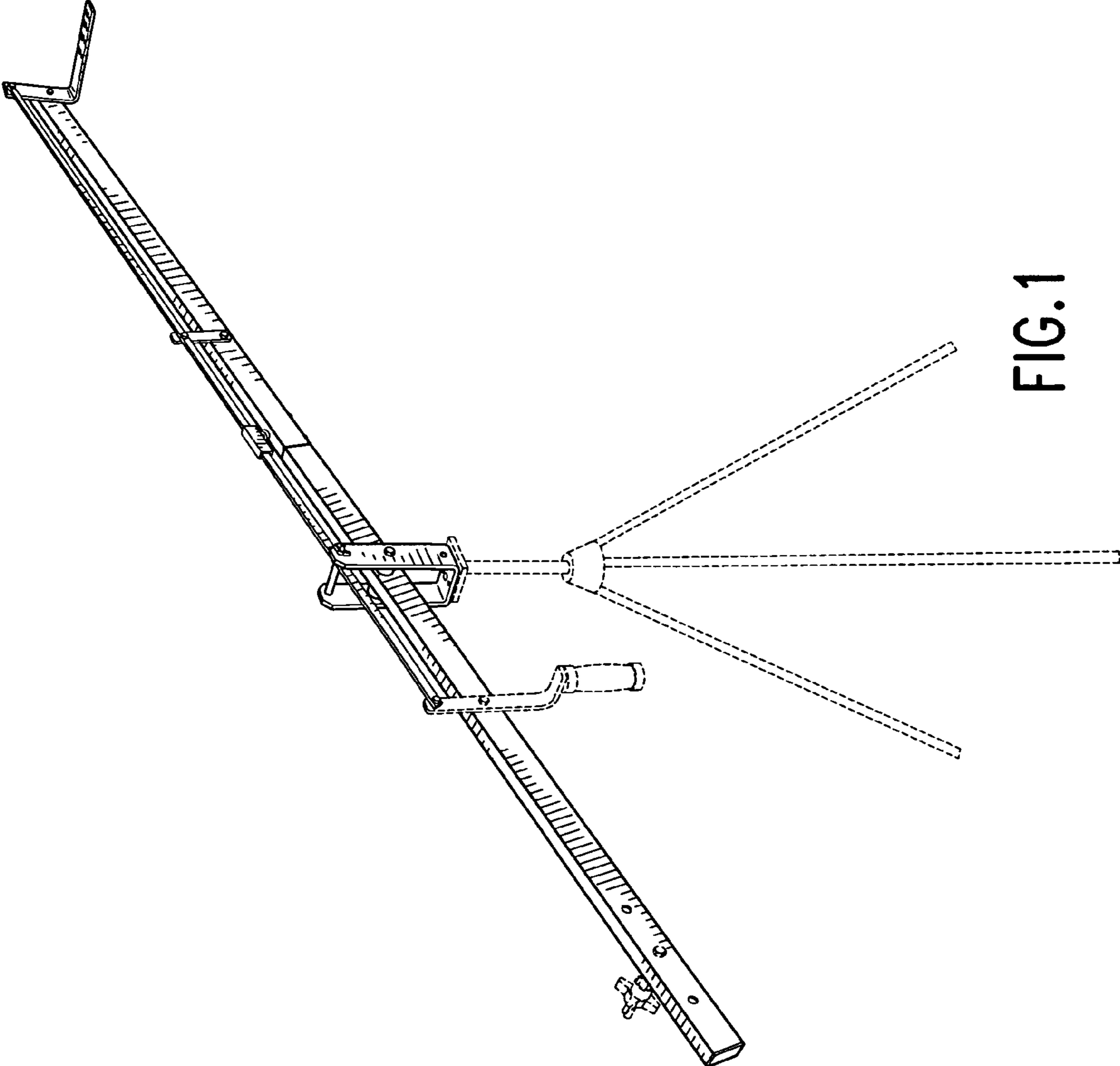


FIG. 1

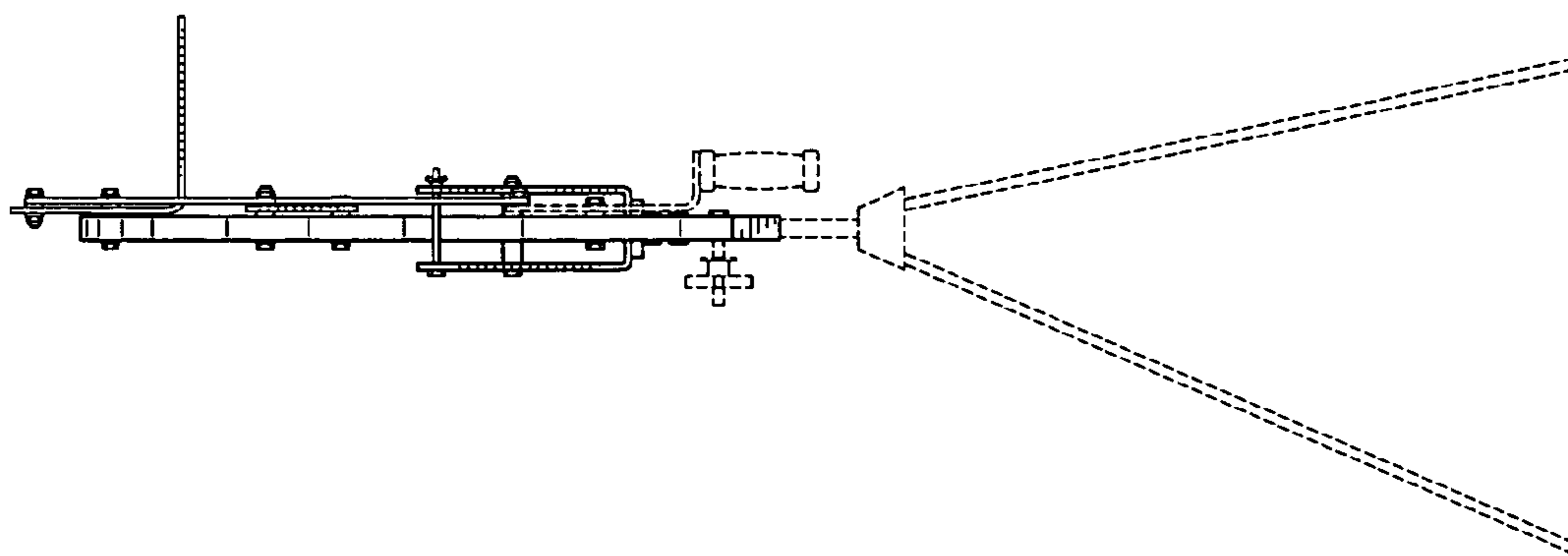


FIG. 3

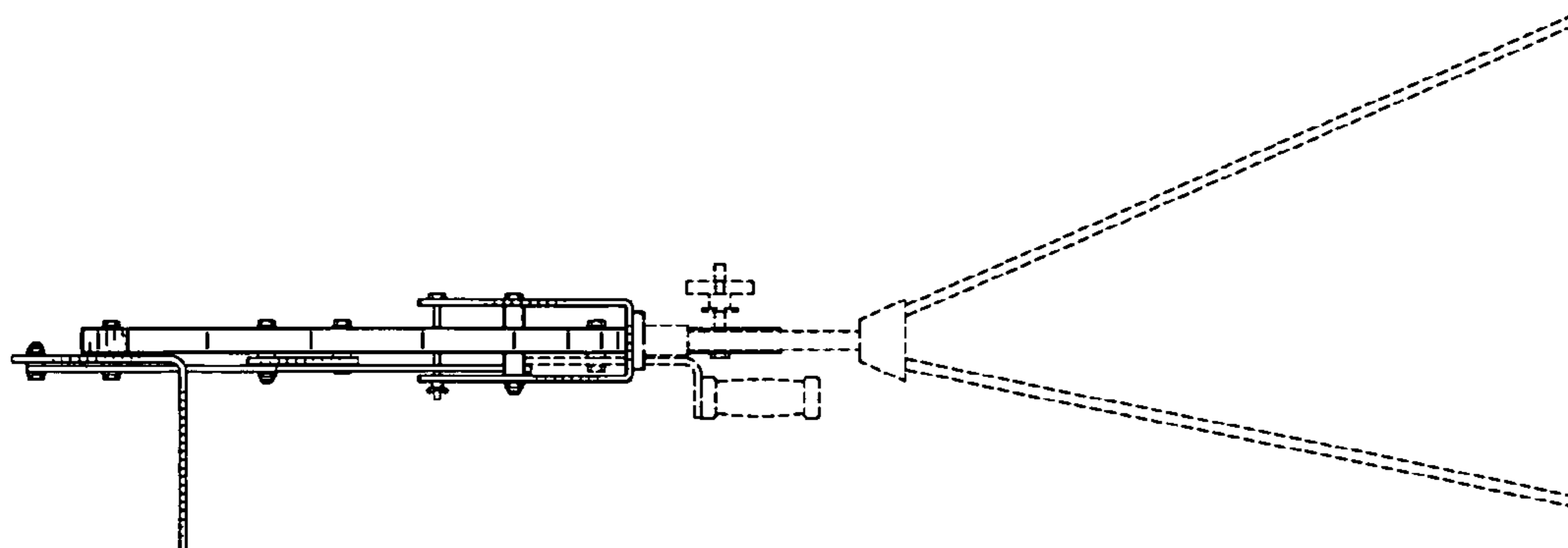


FIG. 2

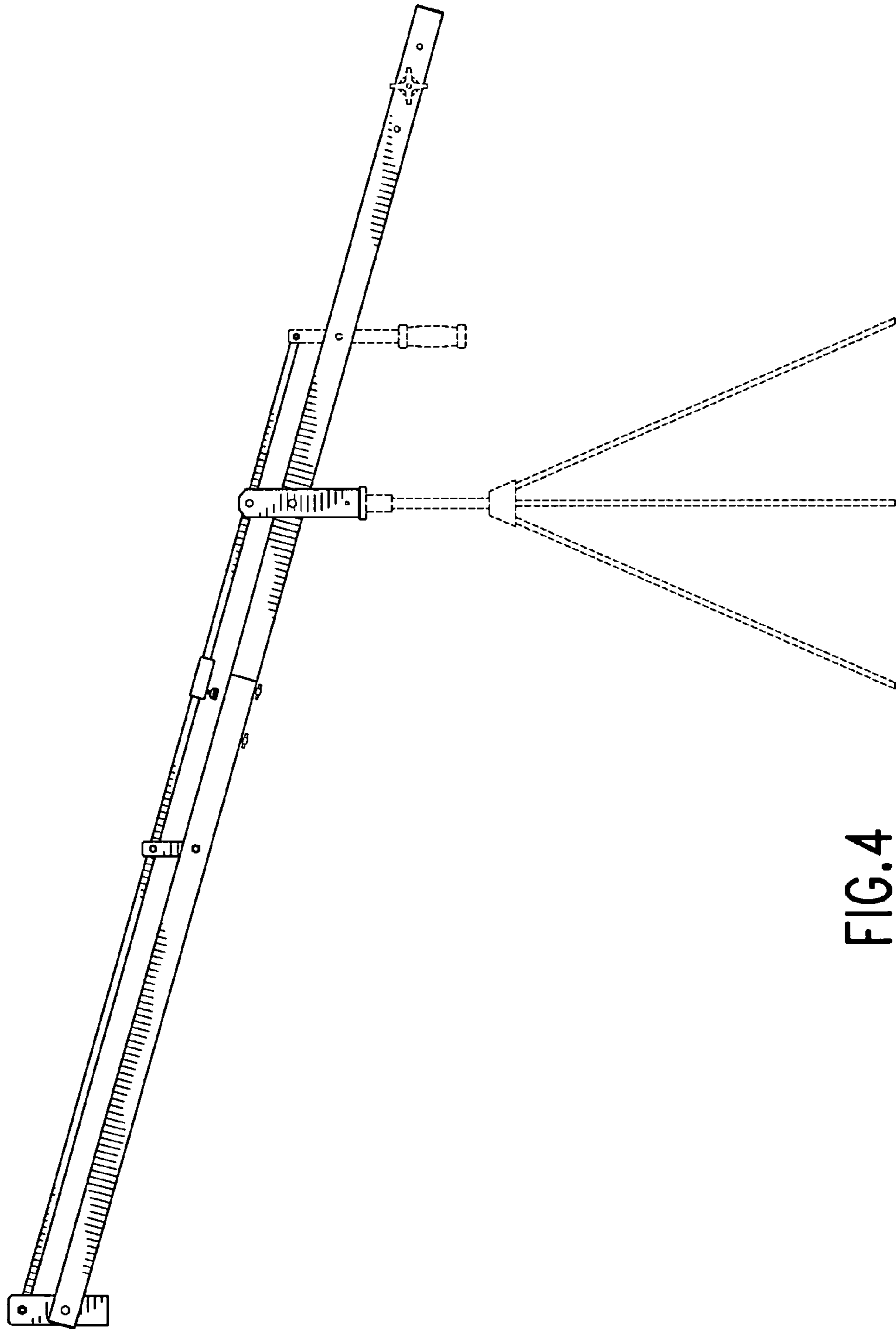


FIG.4

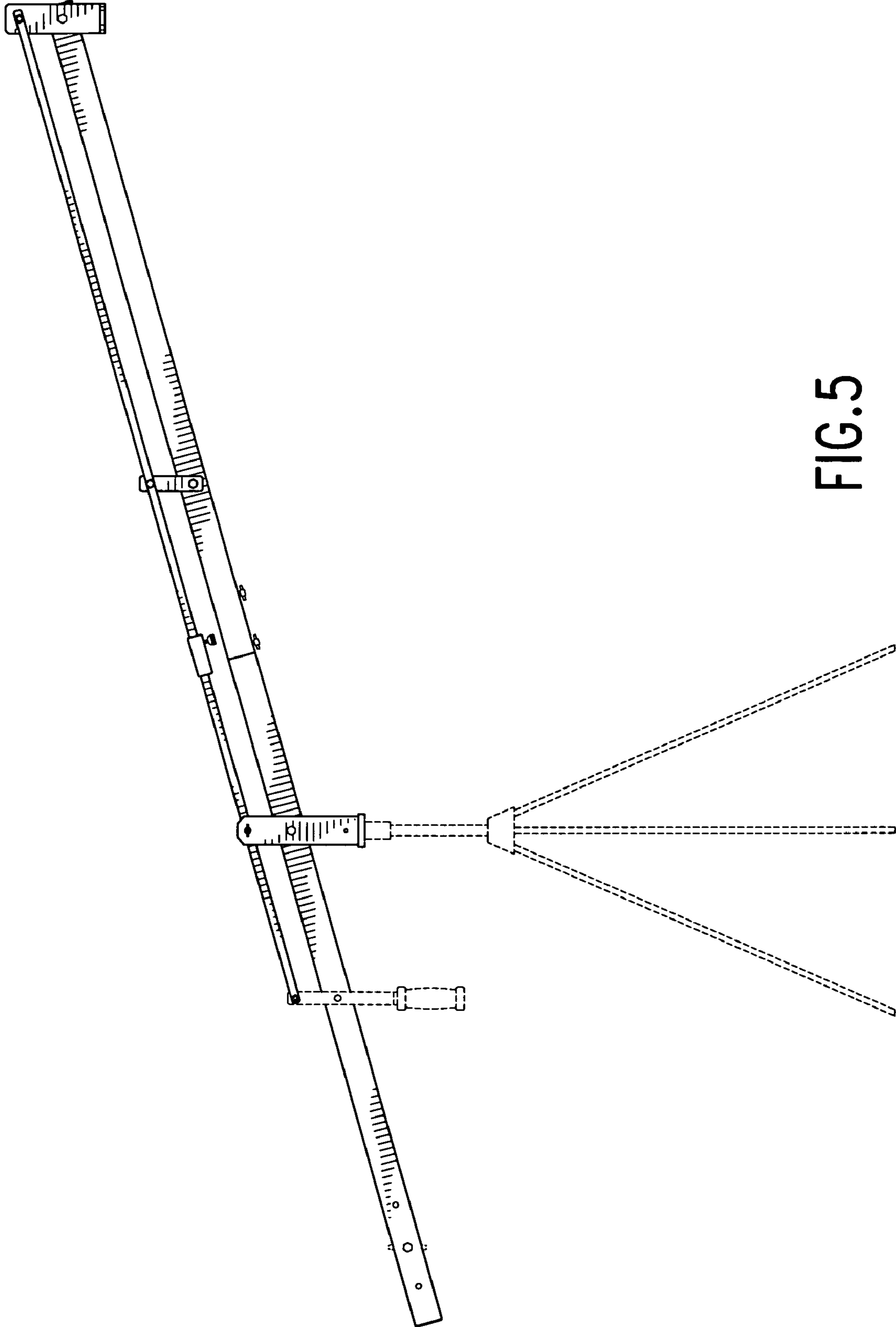


FIG. 5

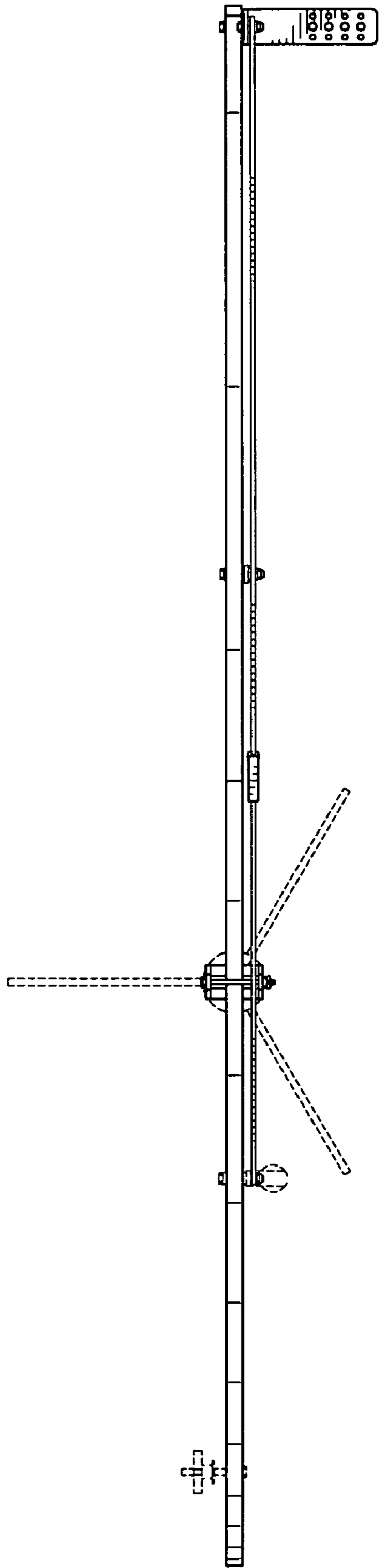


FIG. 6

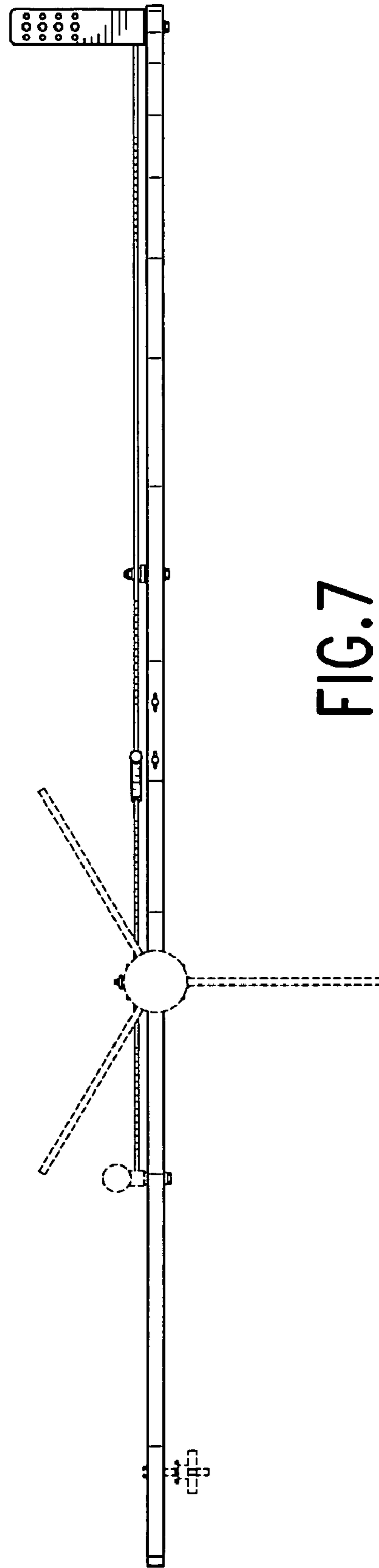


FIG. 7