



US00D588620S

(12) **United States Design Patent**
Kawabe et al.

(10) **Patent No.:** **US D588,620 S**
(45) **Date of Patent:** **** Mar. 17, 2009**

(54) **PROJECTOR**

(75) Inventors: **Genta Kawabe**, Matsumoto (JP); **Isao Sakamaki**, Matsumoto (JP); **Kunihisa Nakamura**, Matsumoto (JP); **Keisuke Sakagami**, Matsumoto (JP); **Toru Kurihara**, Matsumoto (JP)

(73) Assignee: **Seiko Epson Corporation**, Tokyo (JP)

(**) Term: **14 Years**

(21) Appl. No.: **29/304,701**

(22) Filed: **Mar. 6, 2008**

(30) **Foreign Application Priority Data**

Dec. 26, 2007 (JP) 2007-035571

(51) **LOC (9) Cl.** **16-02**

(52) **U.S. Cl.** **D16/230; D16/225**

(58) **Field of Classification Search** D16/205,
D16/208, 221, 225, 230-231, 234; D21/514;
353/115, 119, 122

See application file for complete search history.

(56) **References Cited**

U.S. PATENT DOCUMENTS

D327,905 S * 7/1992 Kamijima et al. D18/36
D391,592 S * 3/1998 Sakamoto et al. D16/231

D442,983 S * 5/2001 Goto et al. D16/230
D492,339 S * 6/2004 Niitsu D16/230
D545,862 S * 7/2007 Kawasaki et al. D16/230
7,258,468 B2 * 8/2007 Peng et al. 362/362
D557,318 S * 12/2007 Nishimura et al. D16/230

* cited by examiner

Primary Examiner—Ian Simmons

Assistant Examiner—Wan Laymon

(74) *Attorney, Agent, or Firm*—Oliff & Berridge, PLC

(57) **CLAIM**

The ornamental design for a projector, as shown and described.

DESCRIPTION

FIG. 1 is a front perspective view of a projector;

FIG. 2 is a rear perspective view thereof;

FIG. 3 is a front view thereof;

FIG. 4 is a rear view thereof;

FIG. 5 is a left-side view thereof;

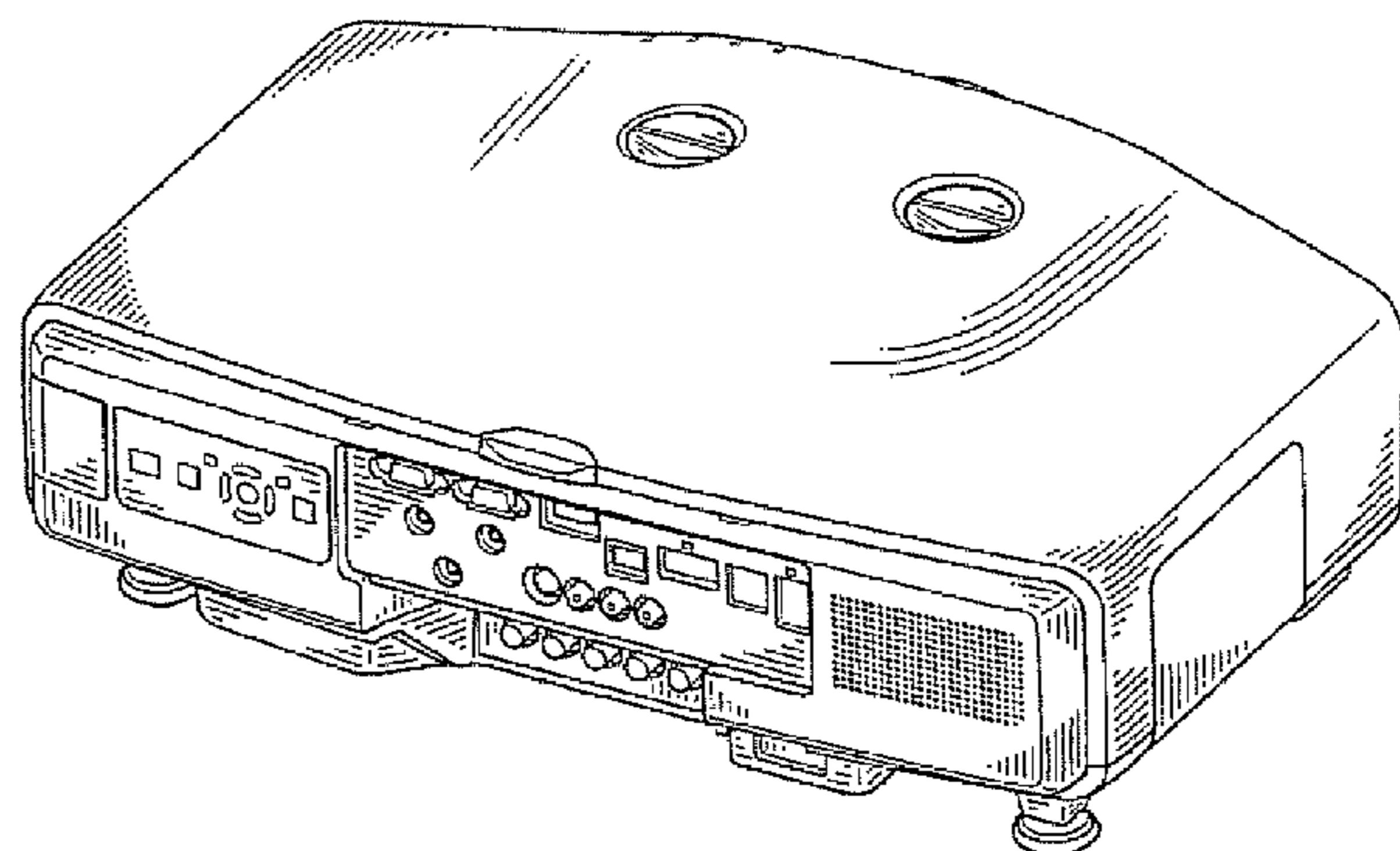
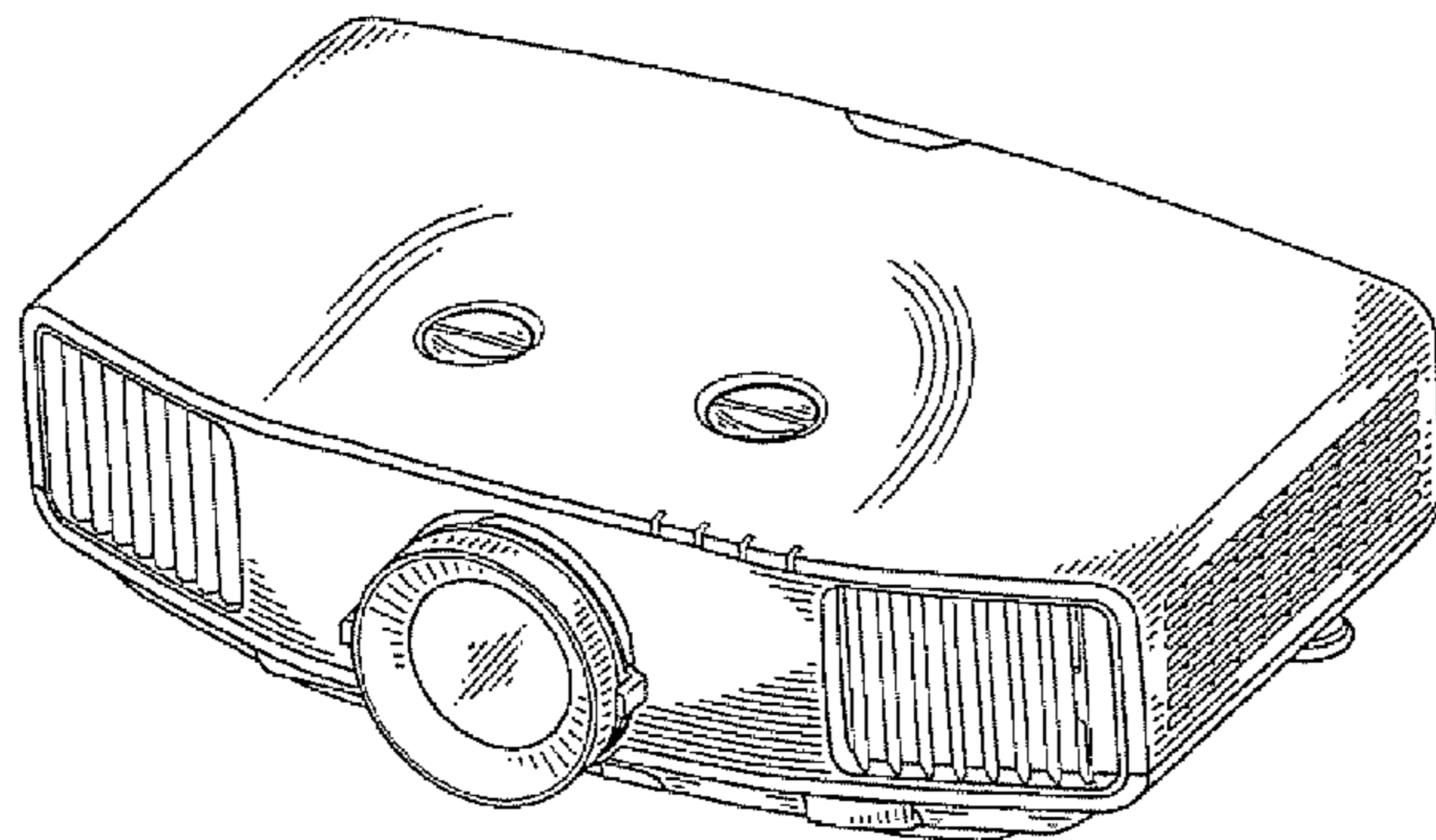
FIG. 6 is a right-side view thereof;

FIG. 7 is a top view thereof;

FIG. 8 is a bottom view thereof; and,

FIG. 9 is a bottom perspective view thereof.

1 Claim, 4 Drawing Sheets



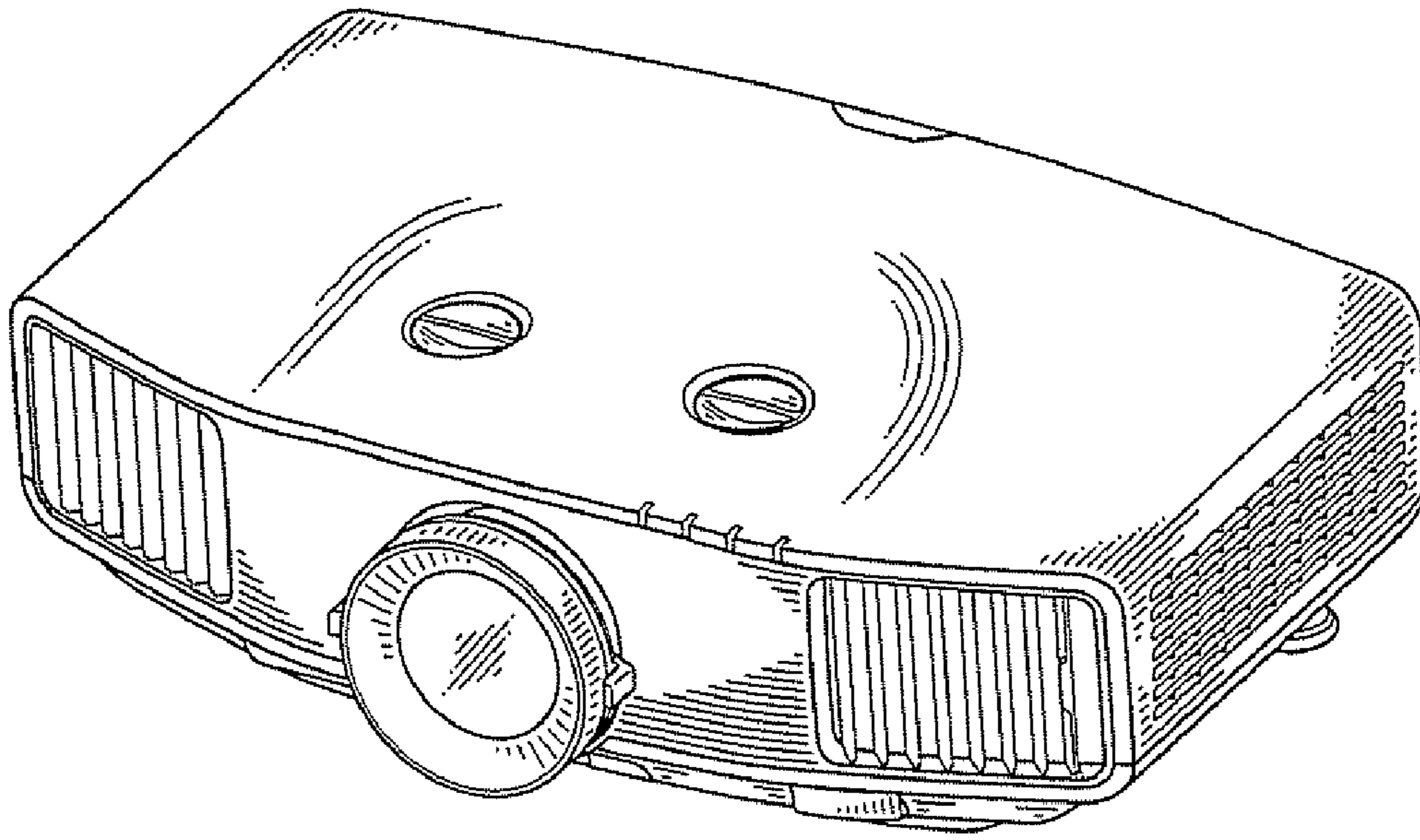


FIG. 1

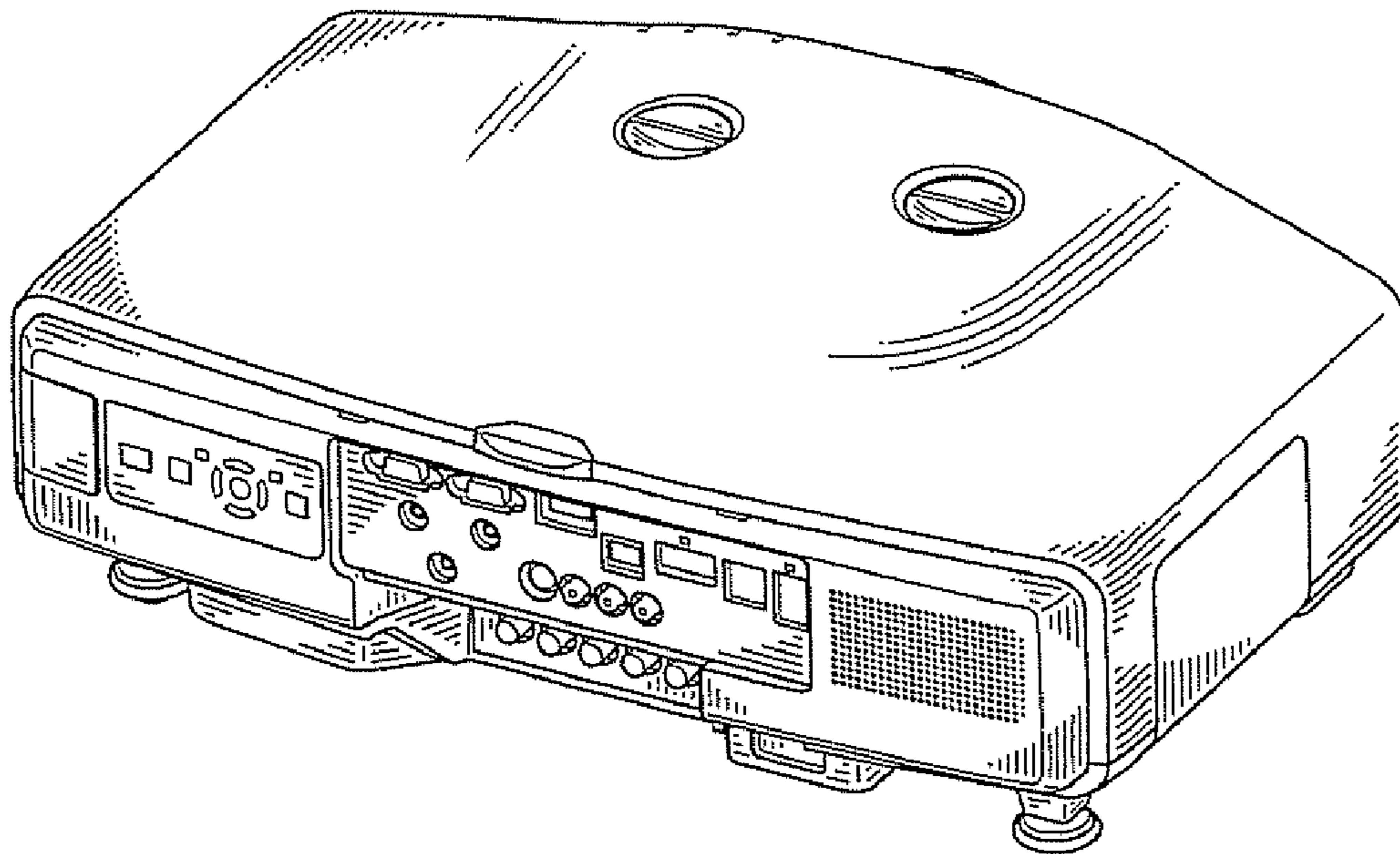


FIG. 2

FIG. 3

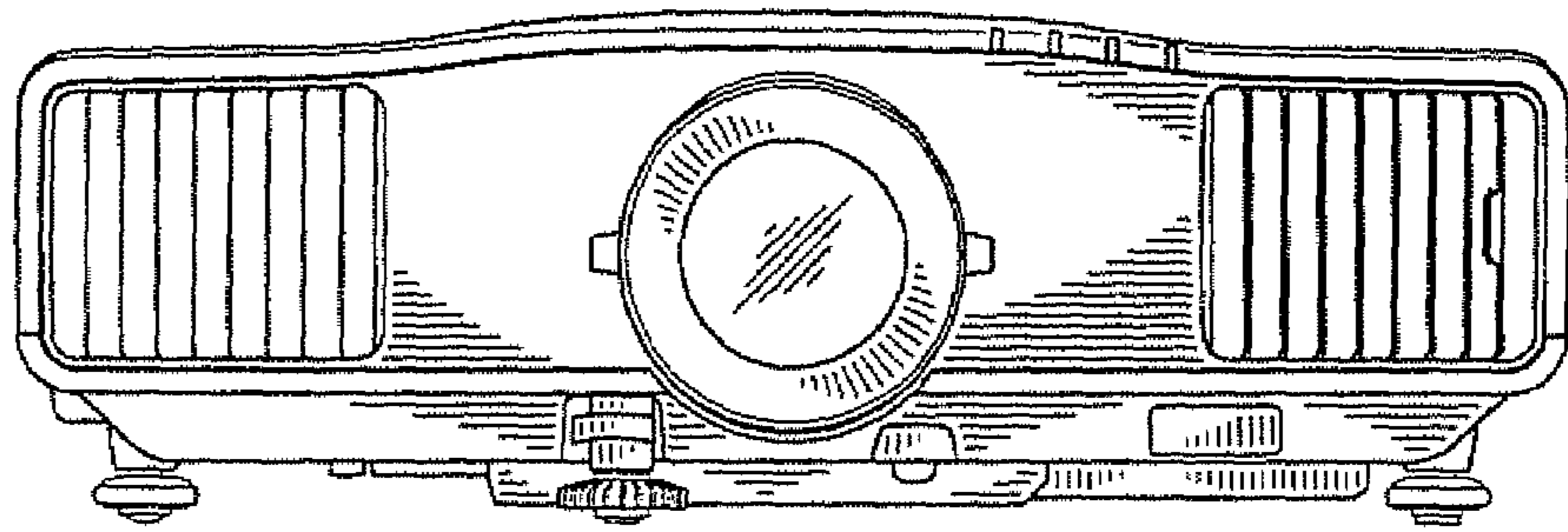


FIG. 4

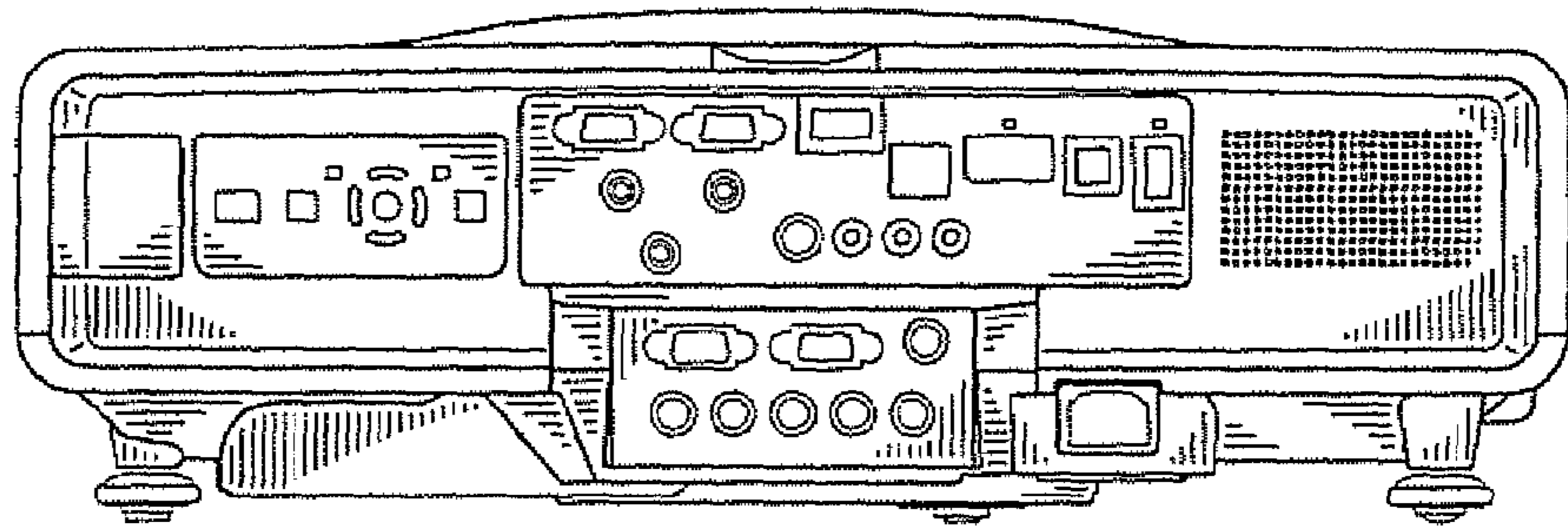


FIG. 5

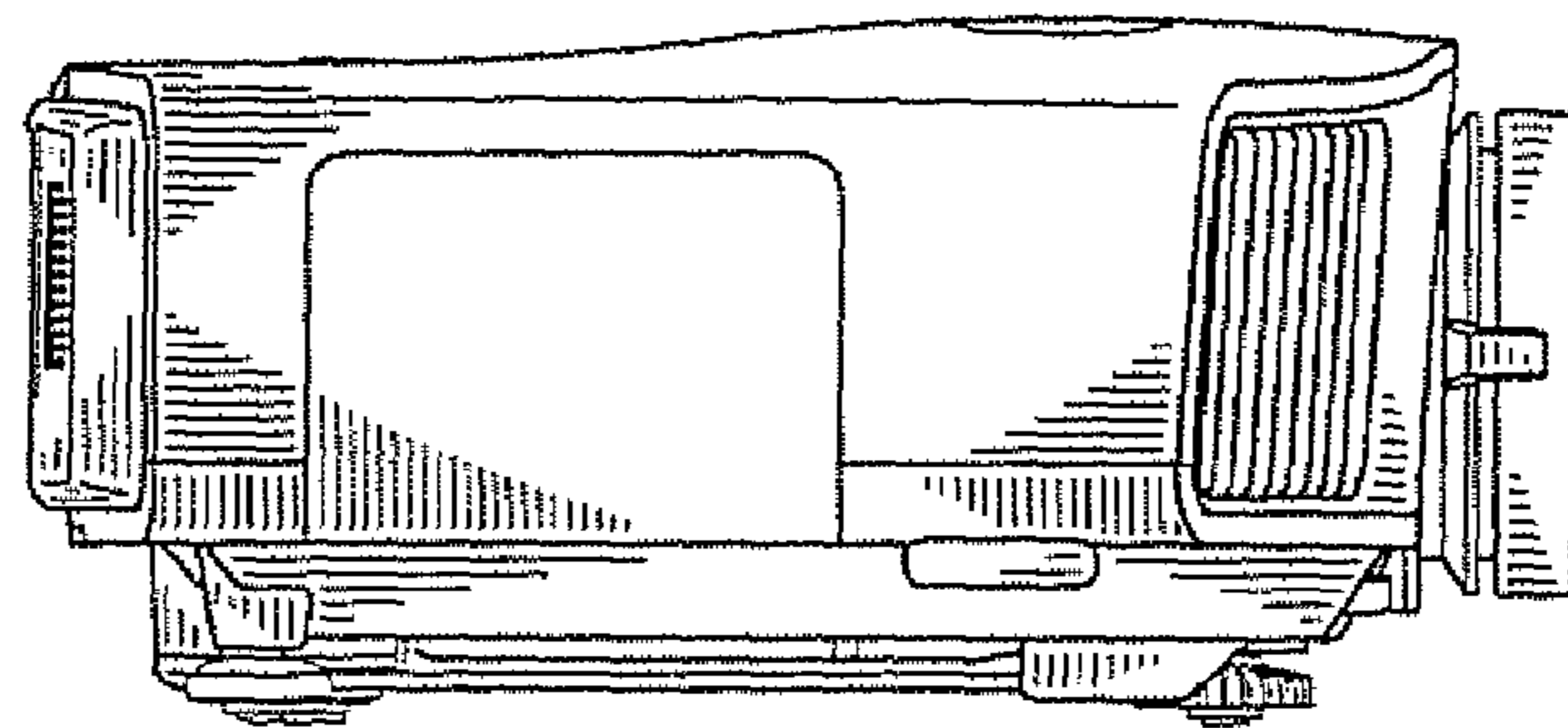
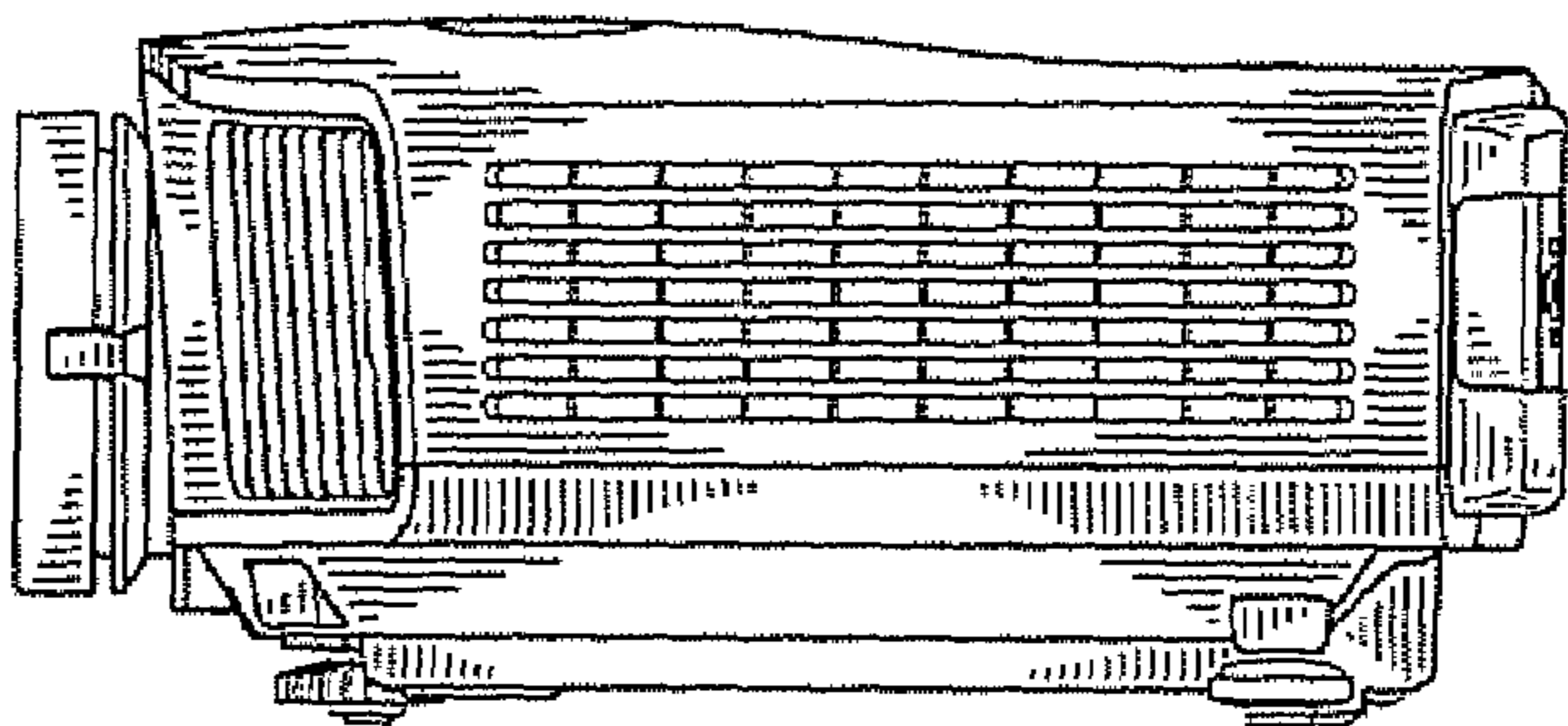


FIG. 6



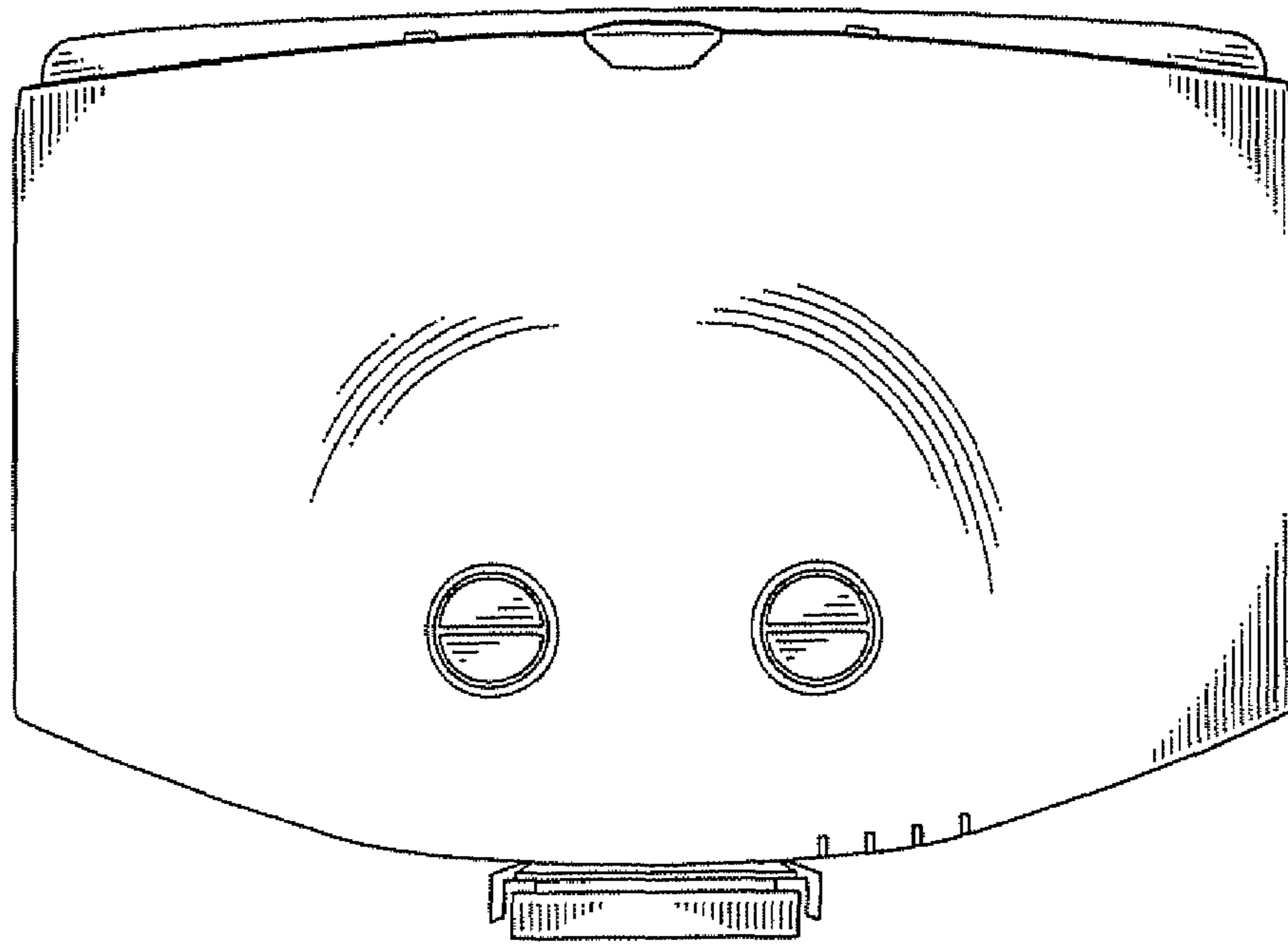


FIG. 7

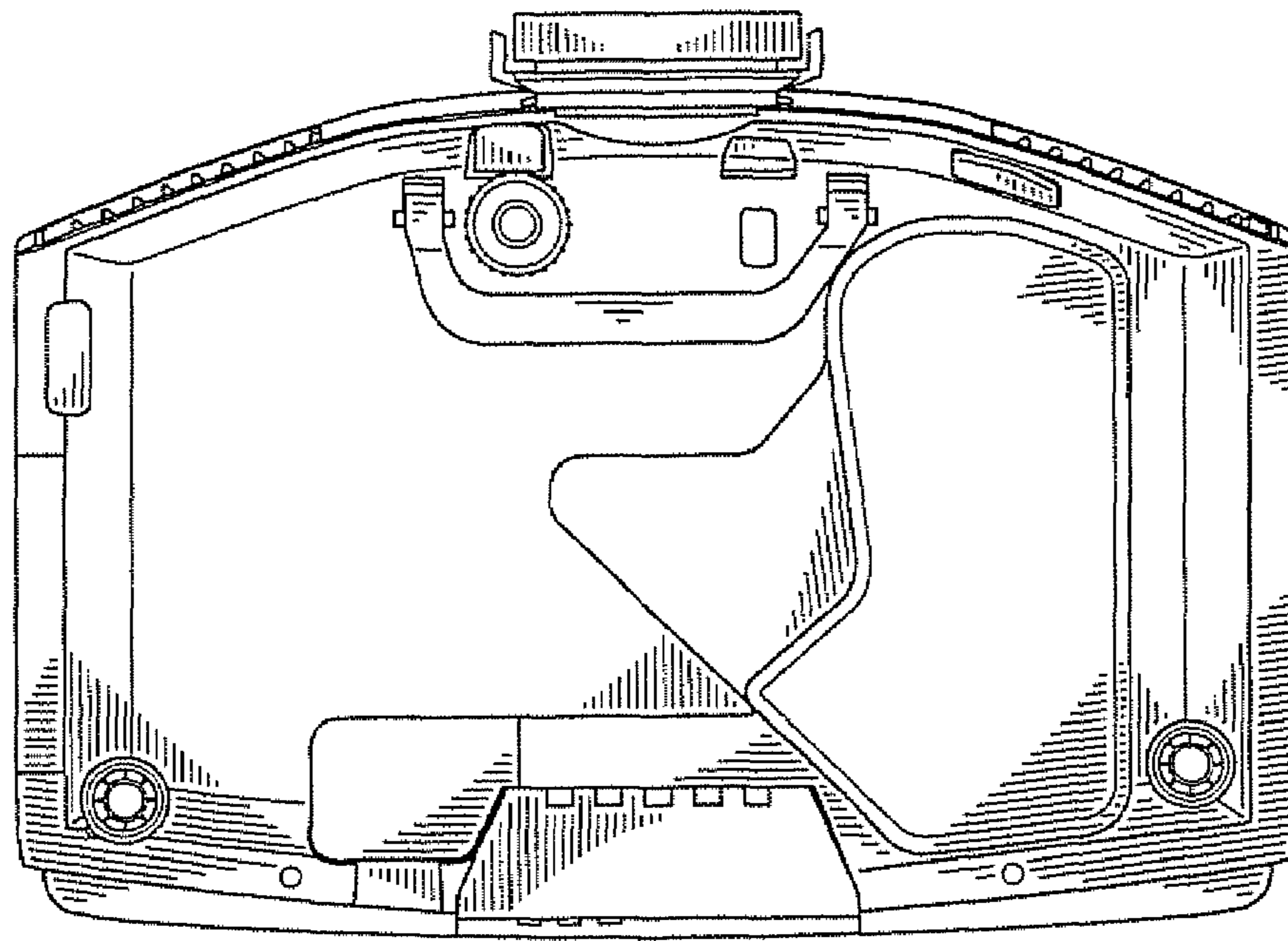


FIG. 8

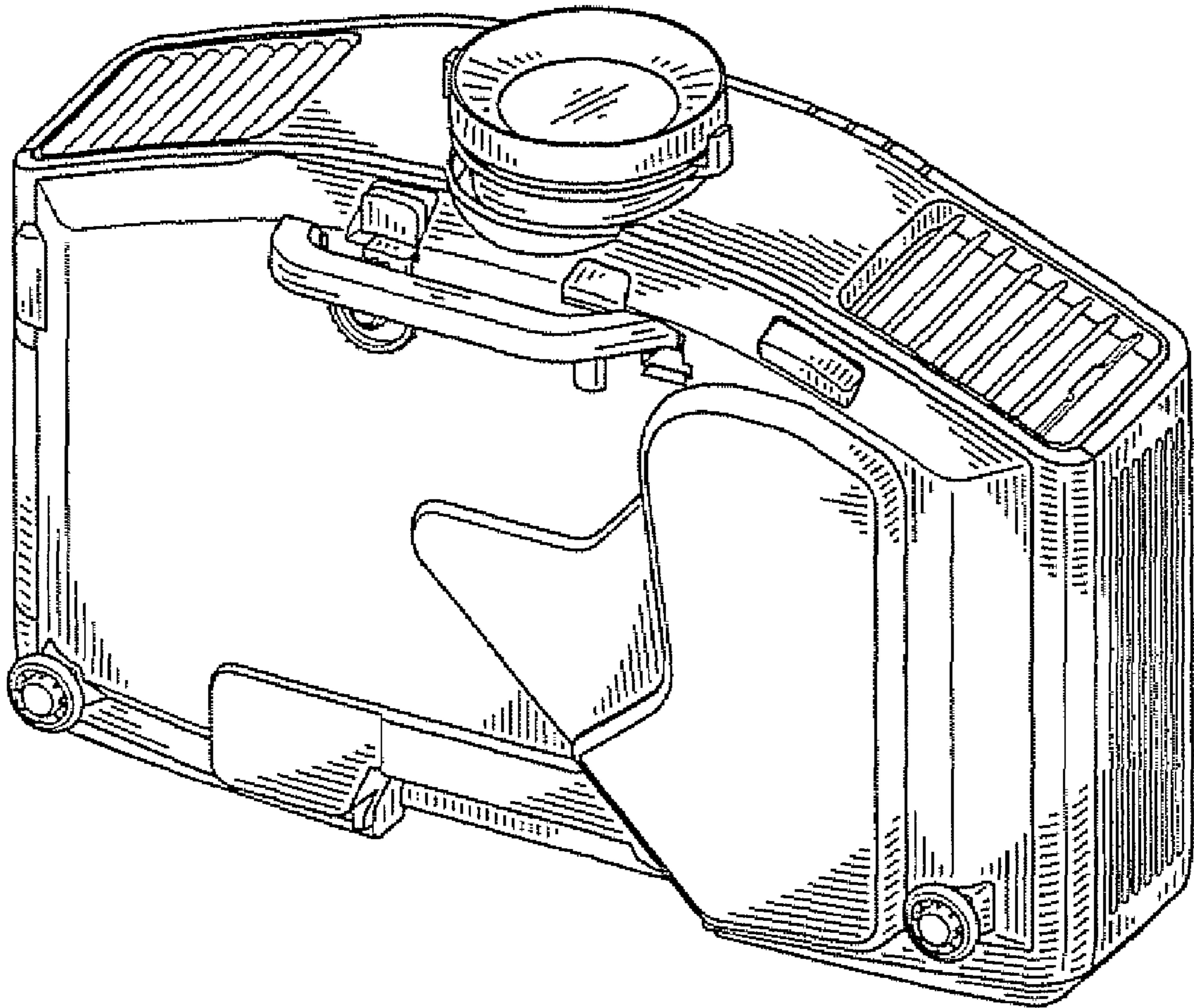


FIG. 9