



US00D588616S

(12) **United States Design Patent**  
**Tanaka et al.**

(10) **Patent No.:** **US D588,616 S**  
(45) **Date of Patent:** **\*\* Mar. 17, 2009**

(54) **INDEXABLE INSERT OF CUTTING EDGE FOR METAL CUTTING TOOLS**

(75) Inventors: **Ai Tanaka**, Hyogo (JP); **Atsuhiko Maeta**, Hyogo (JP)

(73) Assignee: **Sumitomo Electric Hardmetal Corp.**, Hyogo (JP)

(\*\*) Term: **14 Years**

(21) Appl. No.: **29/324,899**

(22) Filed: **Sep. 23, 2008**

(30) **Foreign Application Priority Data**

Mar. 31, 2008 (JP) ..... 2008-008107

(51) **LOC (9) Cl.** ..... **15-09**

(52) **U.S. Cl.** ..... **D15/139**

(58) **Field of Classification Search** ..... D15/138, D15/139, 140; 407/35, 42, 112-119

See application file for complete search history.

(56) **References Cited**

**U.S. PATENT DOCUMENTS**

3,490,117	A *	1/1970	Hertel	.....	407/104
D342,269	S *	12/1993	Arai et al.	.....	D15/139
D347,642	S *	6/1994	Lindberg	.....	D15/139
7,097,393	B2 *	8/2006	Satran et al.	.....	407/113
D579,470	S *	10/2008	Maeta et al.	.....	D15/139
2004/0022590	A1 *	2/2004	Satran et al.	.....	407/40
2006/0147279	A1 *	7/2006	Satran et al.	.....	407/40
2006/0257214	A1 *	11/2006	Johnson et al.	.....	407/40
2007/0104546	A1 *	5/2007	Maeta et al.	.....	407/113

\* cited by examiner

*Primary Examiner*—Sandra Snapp  
*Assistant Examiner*—Patricia Palasik  
(74) *Attorney, Agent, or Firm*—McDermott Will & Emery LLP

(57) **CLAIM**

The ornamental design for an indexable insert of cutting edge for metal cutting tools, as shown and described.

**DESCRIPTION**

FIG. 1 is a perspective view of the front, right and top of an indexable insert of cutting edge for metal cutting tools showing our new design;

FIG. 2 is a front view thereof, a rear view being a mirror image thereof;

FIG. 3 is a top plan view thereof;

FIG. 4 is a bottom view thereof;

FIG. 5 is a left side view thereof, a right side view being a mirror image thereof;

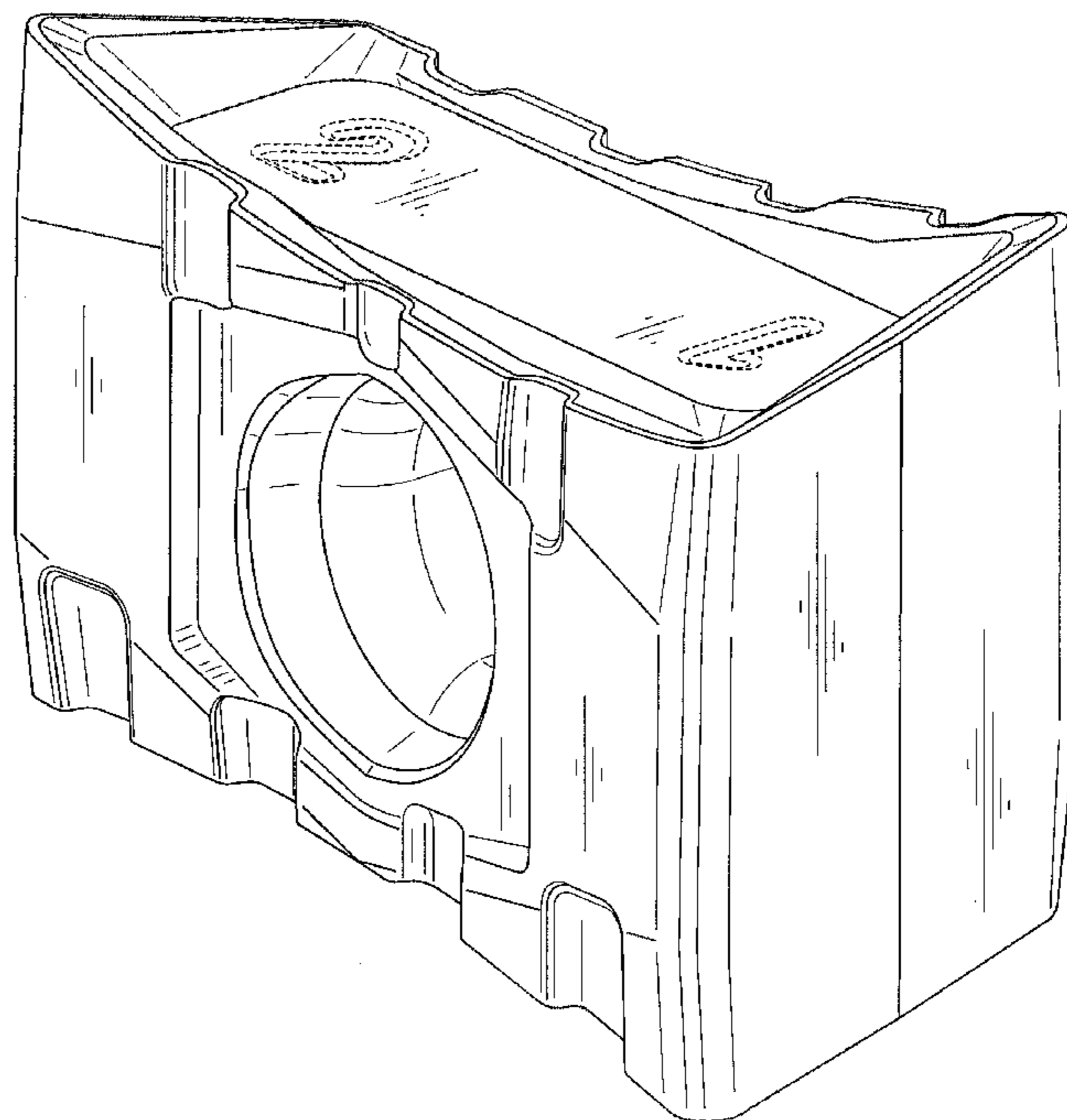
FIG. 6 is a perspective view of the indexable insert of cutting edge for metal cutting tools showing it in use.

FIG. 7 is a left side view of the indexable insert of cutting edge for metal cutting tools showing it in use; and,

FIG. 8 is a front view of the indexable insert of cutting edge for metal cutting tools showing it in use.

The elements shown in broken lines are for illustrative purposes only and form no part of the claimed design.

**1 Claim, 7 Drawing Sheets**



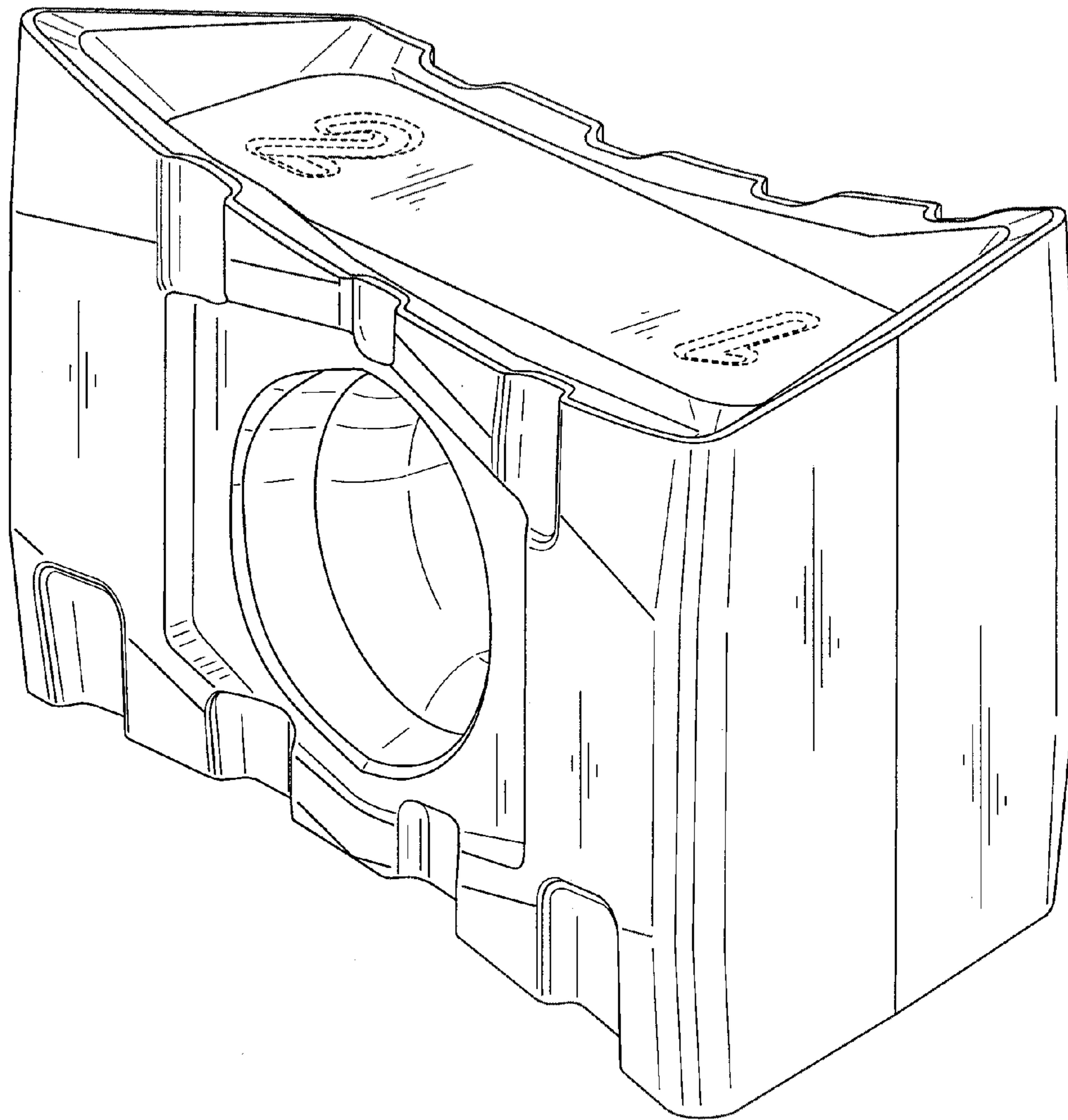


FIG. 1

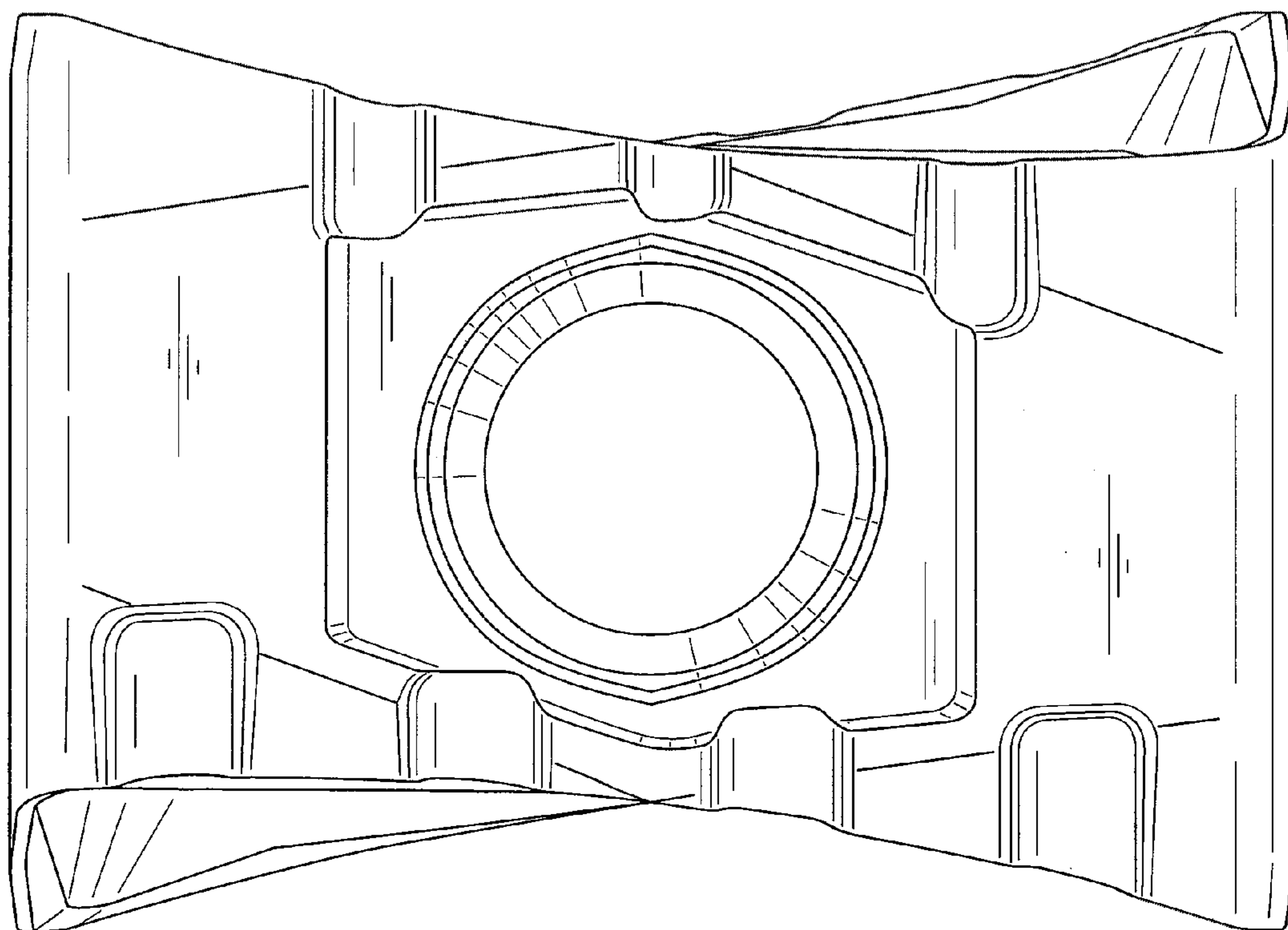


FIG. 2

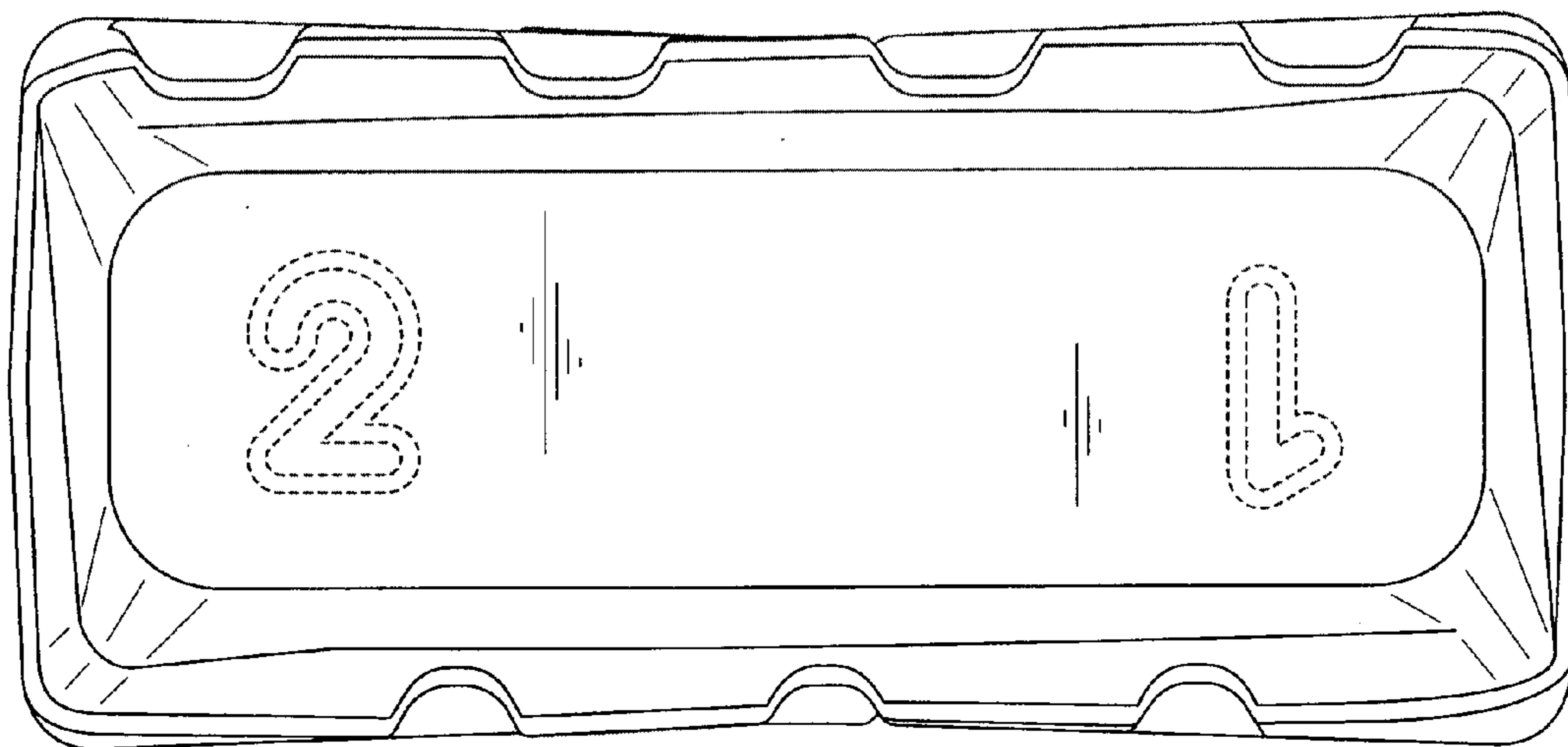


FIG. 3

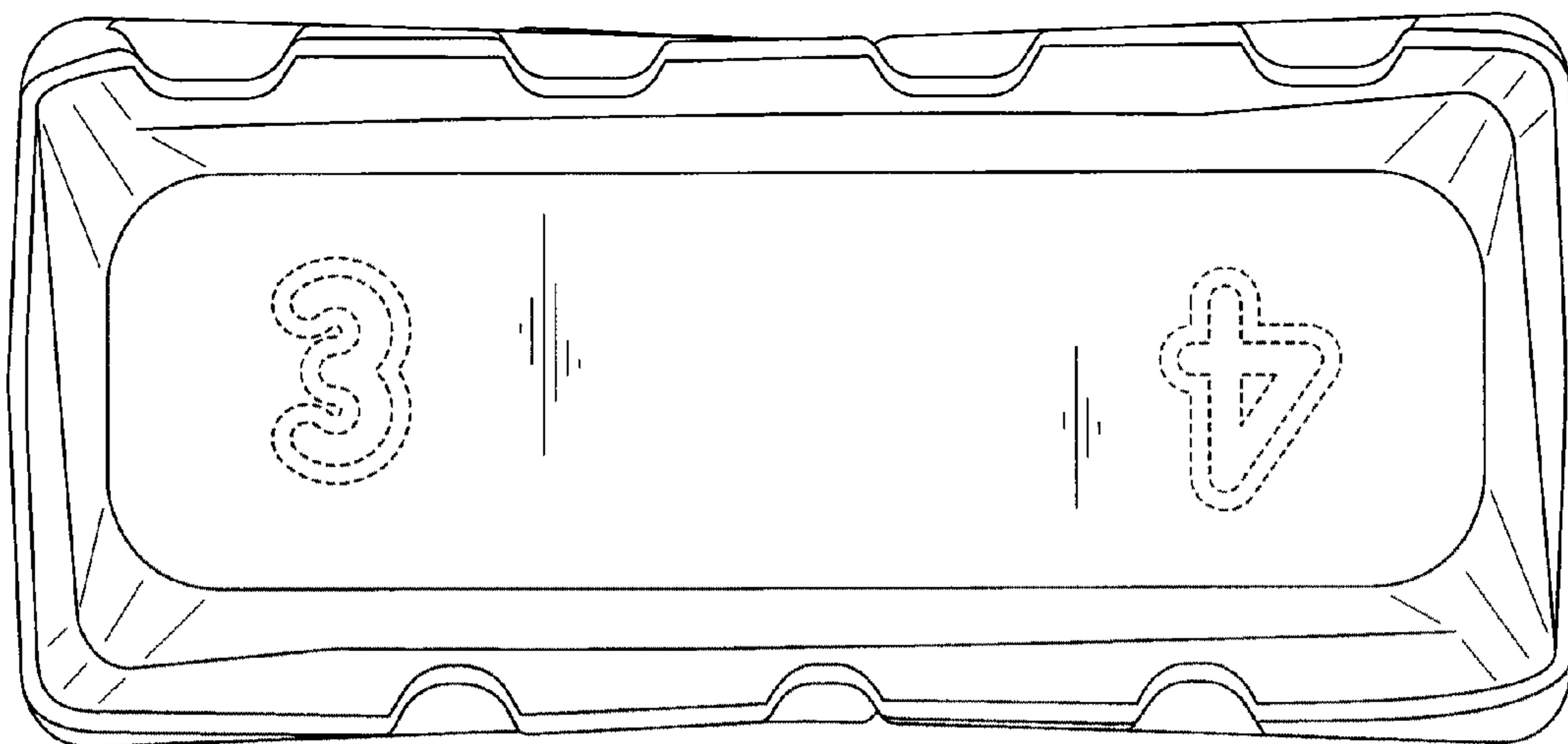
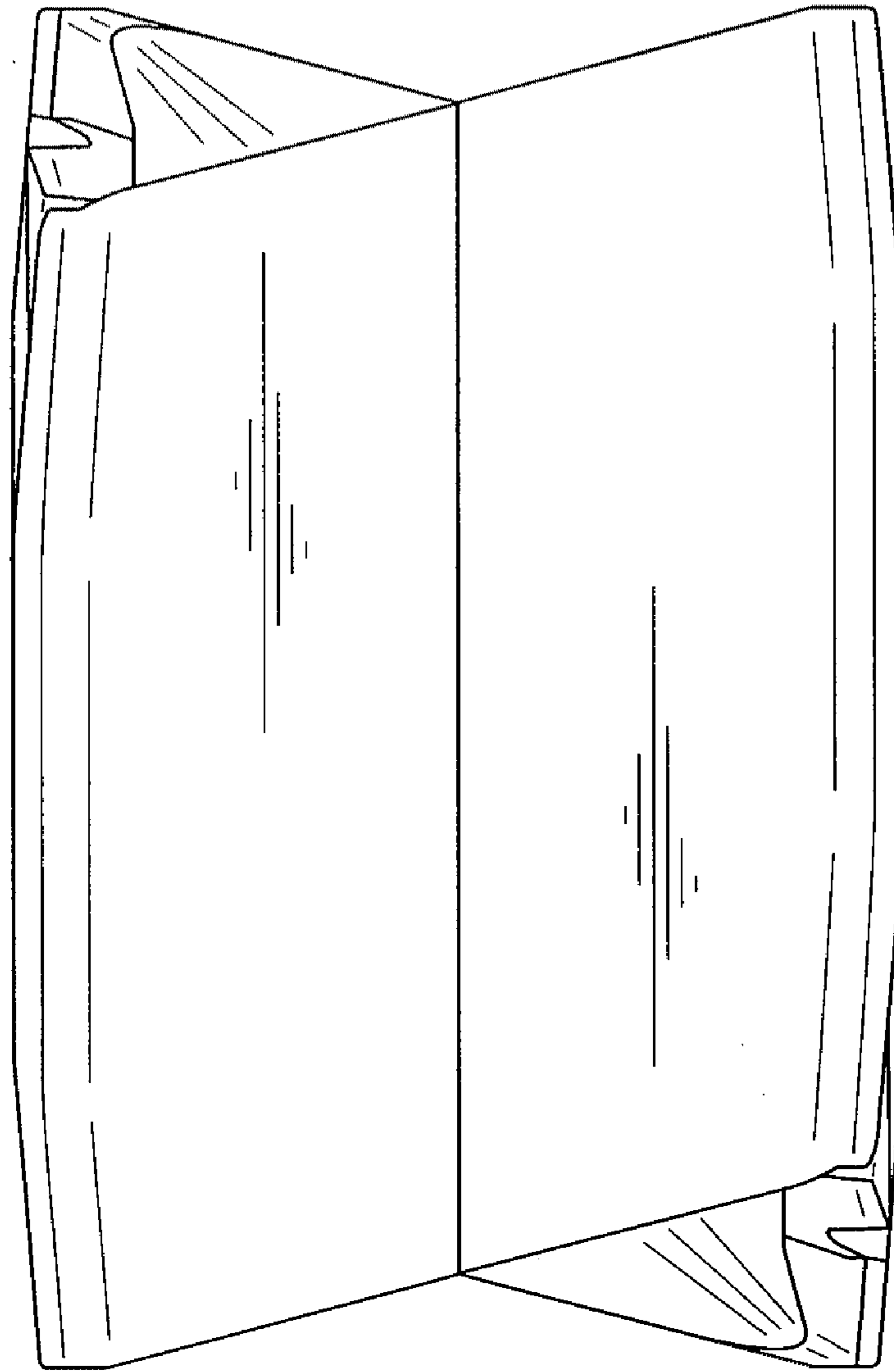
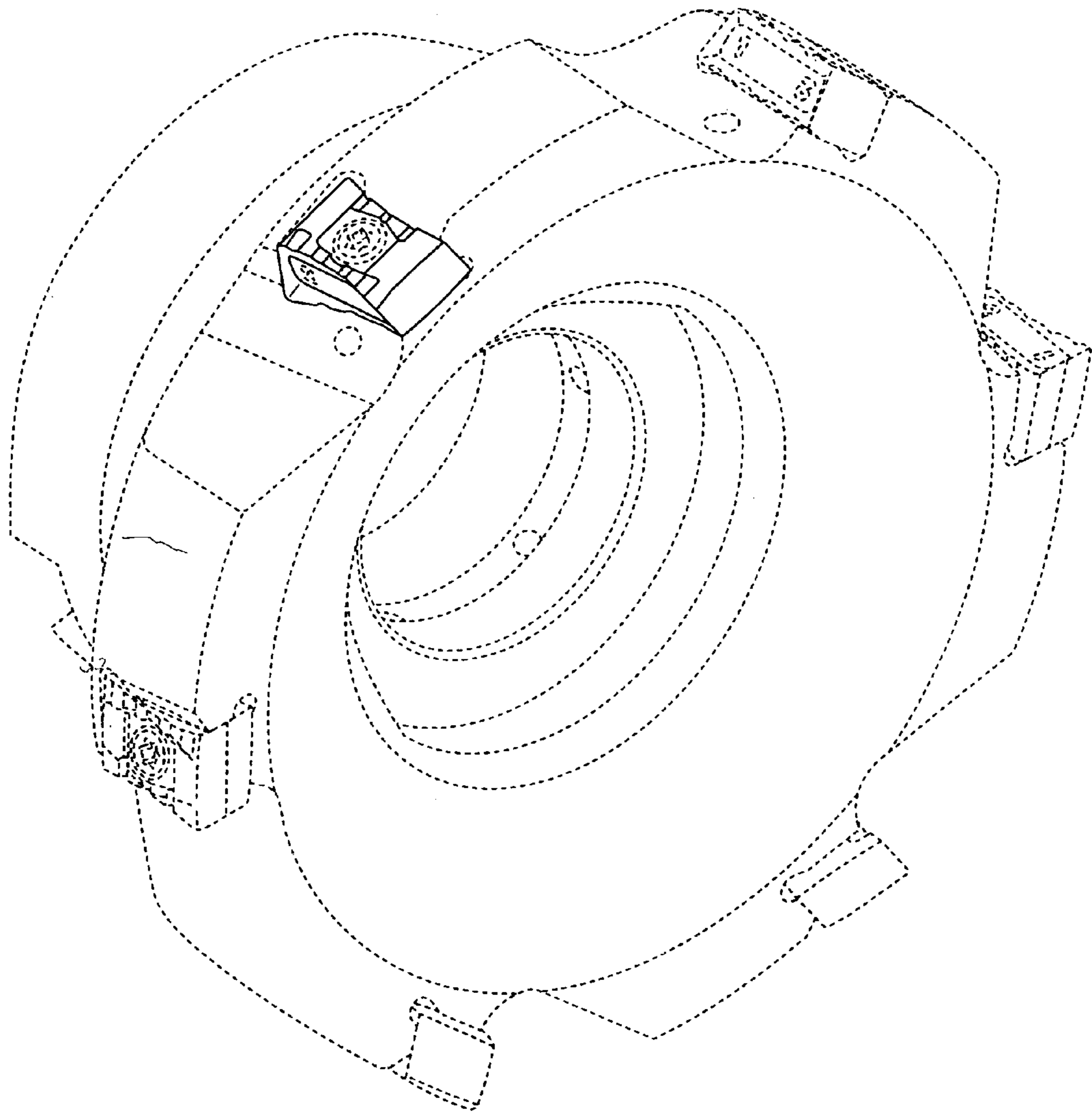


FIG. 4



*FIG. 5*



**FIG. 6**

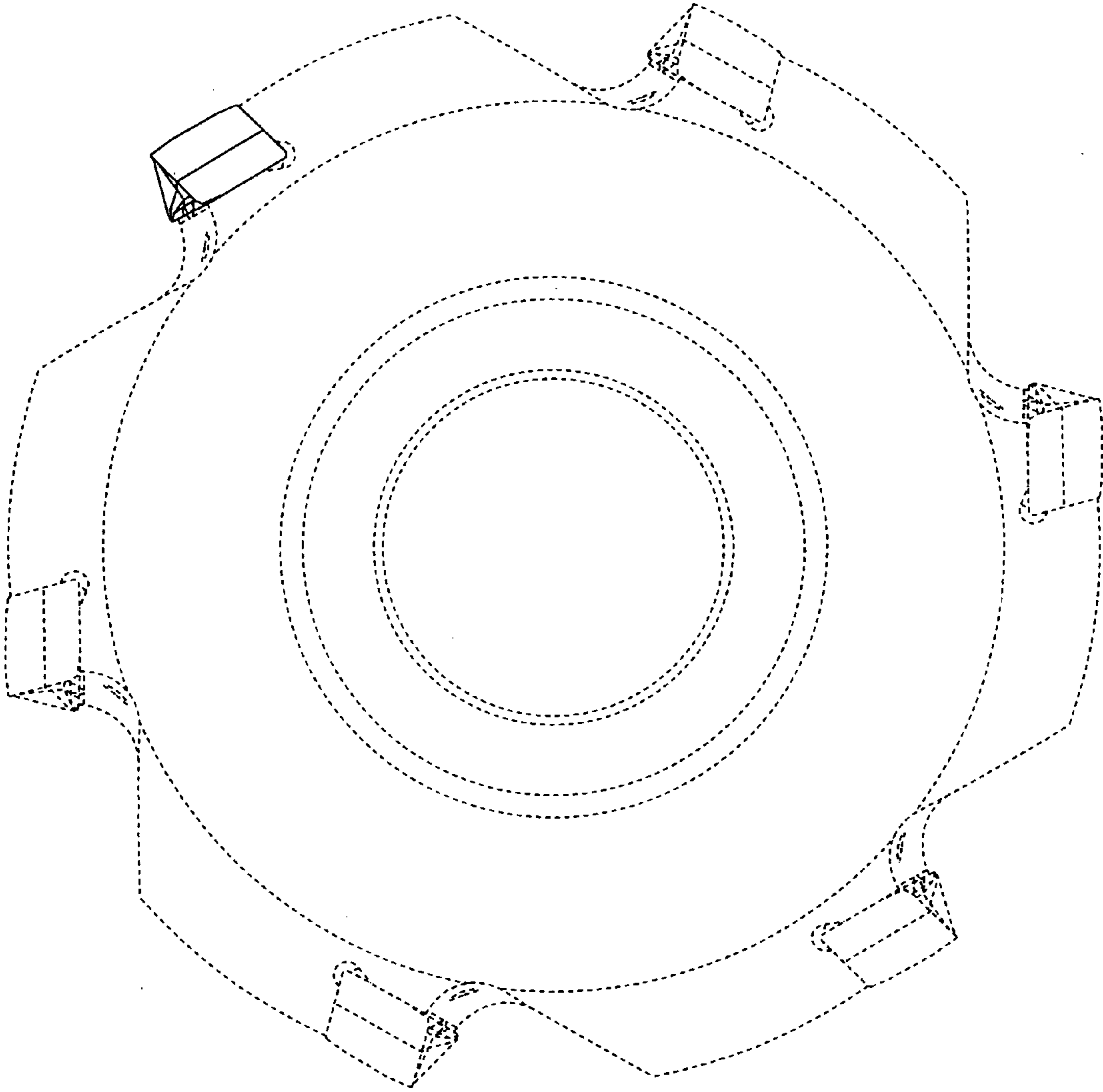
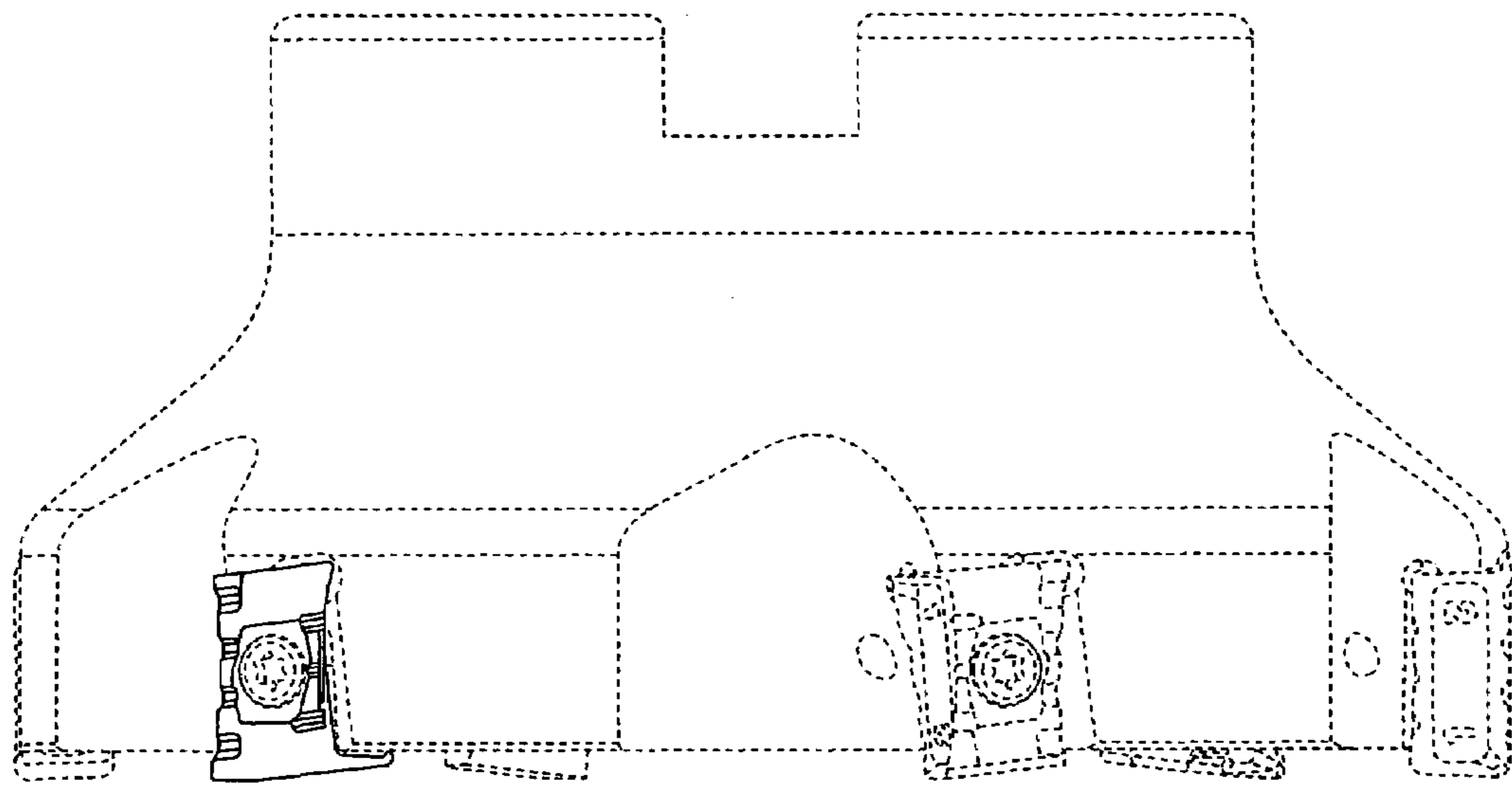


FIG. 7



**FIG. 8**