



US00D588614S

(12) **United States Design Patent**  
**Peterson**

(10) **Patent No.:** **US D588,614 S**  
(45) **Date of Patent:** **\*\* Mar. 17, 2009**

(54) **FEEDER FRAME**

(76) Inventor: **William G. Peterson**, E10451 Cty. C,  
Clintonville, WI (US) 54929

(\*\*) Term: **14 Years**

(21) Appl. No.: **29/297,978**

(22) Filed: **Nov. 26, 2007**

(51) **LOC (9) Cl.** ..... **15-03**

(52) **U.S. Cl.** ..... **D15/27**

(58) **Field of Classification Search** ..... D15/27;  
D12/101; 280/400, 656, 38, 789; 414/24.5,  
414/25, 111, 551, 552; 410/49, 42, 47; 296/6,  
296/3

See application file for complete search history.

(56) **References Cited**

**U.S. PATENT DOCUMENTS**

58,108	A *	9/1866	Landis	.....	296/3
3,047,969	A *	8/1962	Purdy	.....	172/80
D201,980	S *	8/1965	Kane	.....	D15/33
3,922,036	A *	11/1975	Kalsbeck et al.	.....	298/18
4,092,050	A *	5/1978	Sobeck	.....	298/18
4,138,159	A *	2/1979	Hall	.....	298/18
D258,730	S *	3/1981	Jenkins	.....	D12/101
4,253,786	A *	3/1981	Harkness	.....	414/24.5
4,334,817	A *	6/1982	Vansickle et al.	.....	414/24.5

4,784,546	A *	11/1988	Johnson	.....	410/49
5,048,885	A *	9/1991	Bomar	.....	296/6
5,092,273	A *	3/1992	Meyer	.....	119/52.4
5,137,412	A *	8/1992	McAdams et al.	.....	414/470
5,165,836	A *	11/1992	Shonka	.....	414/111
5,257,885	A *	11/1993	Reil	.....	414/24.5
6,213,053	B1 *	4/2001	Lammers	.....	119/51.01
2004/0062626	A1 *	4/2004	Delaurier	.....	414/24.5

\* cited by examiner

*Primary Examiner*—Stella M. Reid  
*Assistant Examiner*—Mark A Goodwin

(57) **CLAIM**

The ornamental design for a feeder frame, as shown and described.

**DESCRIPTION**

FIG. 1 is a perspective view of a feeder frame, showing my new design;

FIG. 2 is a front elevational view of the invention;

FIG. 3 is a rear elevational view of the invention;

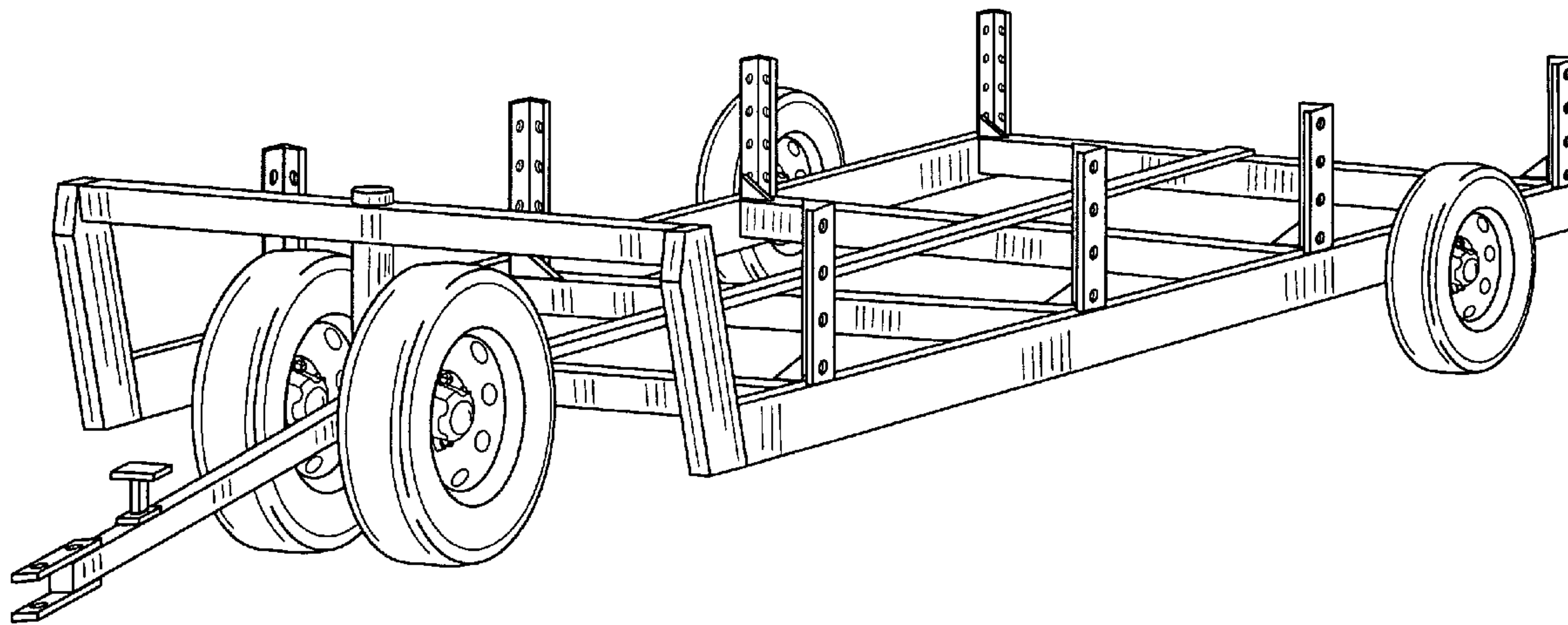
FIG. 4 is a right-side elevational view of the invention;

FIG. 5 is a left-side elevational view of the invention;

FIG. 6 is a top plan view of the invention; and,

FIG. 7 is a bottom plan view of the invention.

**1 Claim, 3 Drawing Sheets**



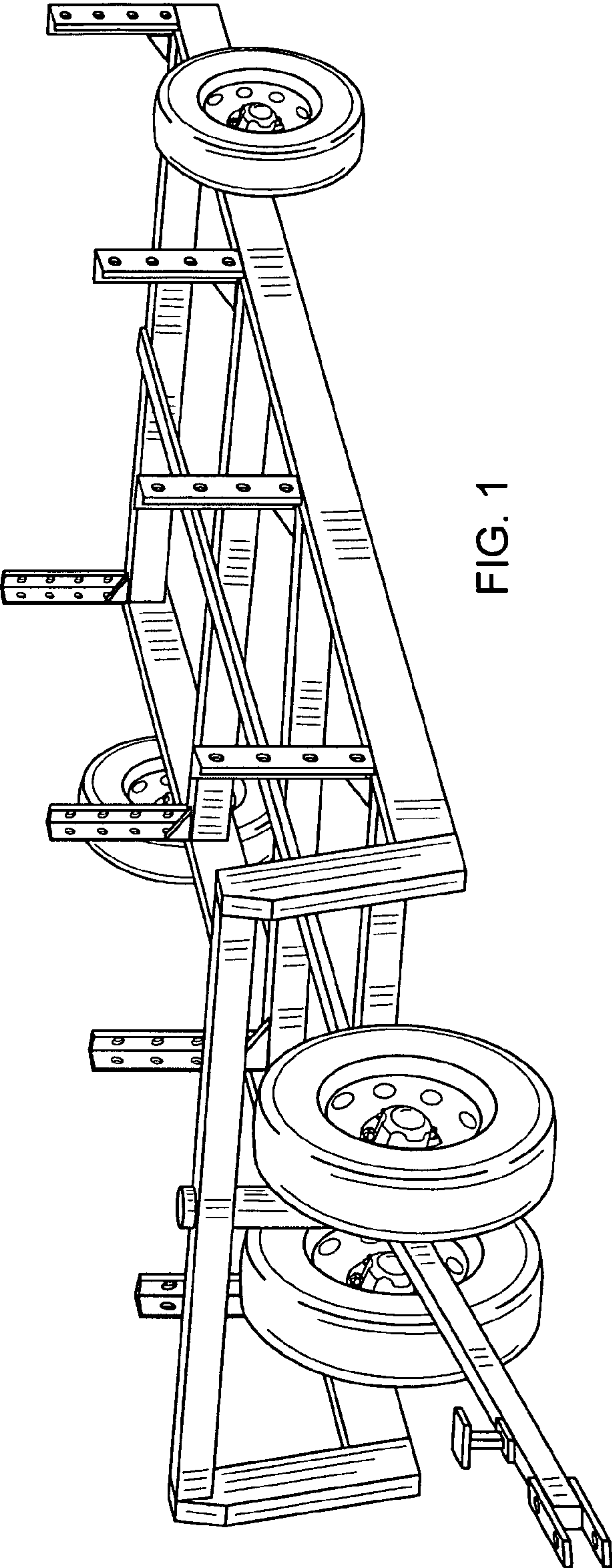


FIG. 1

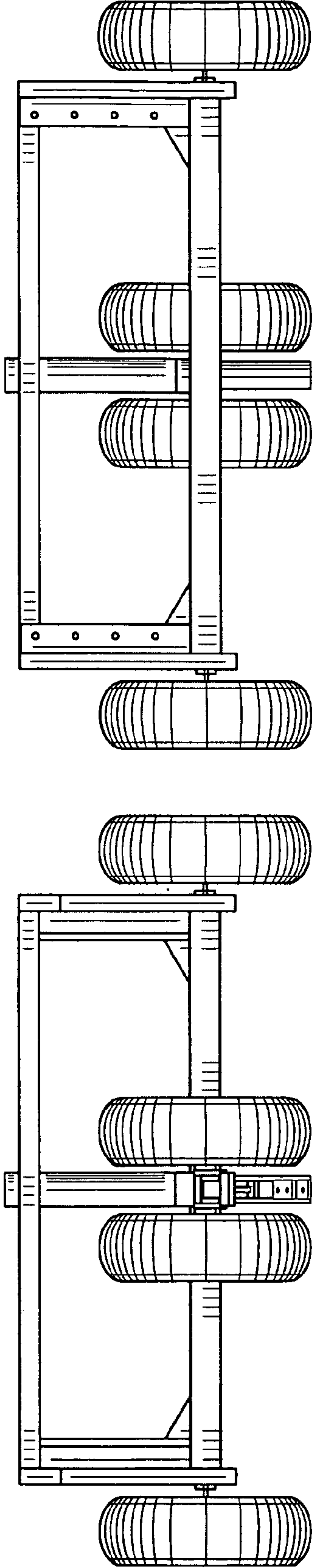


FIG. 2

FIG. 3

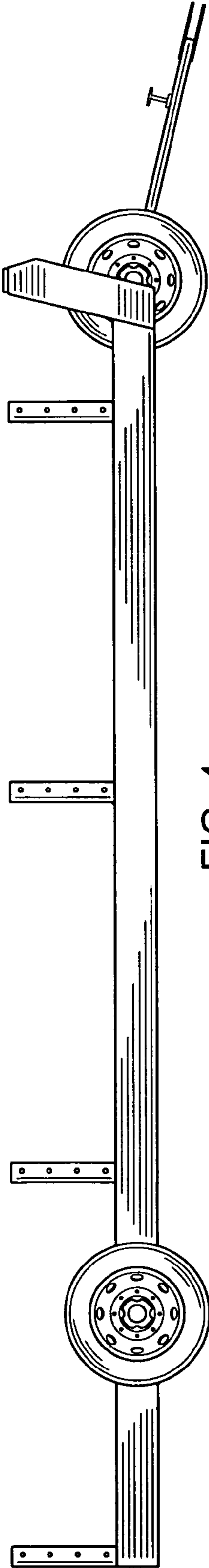


FIG. 4

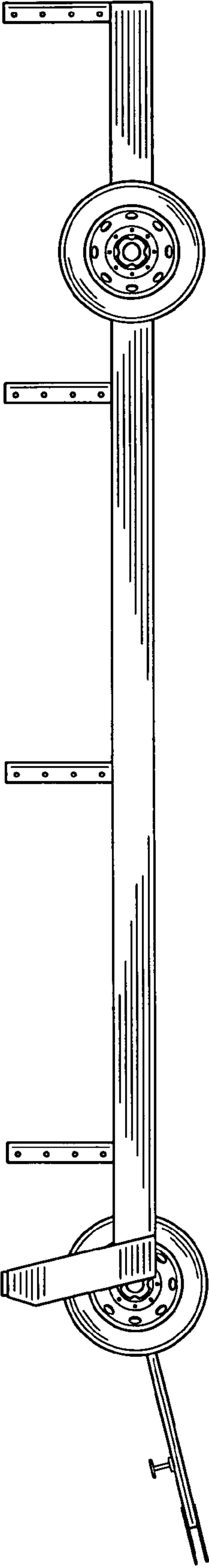


FIG. 5

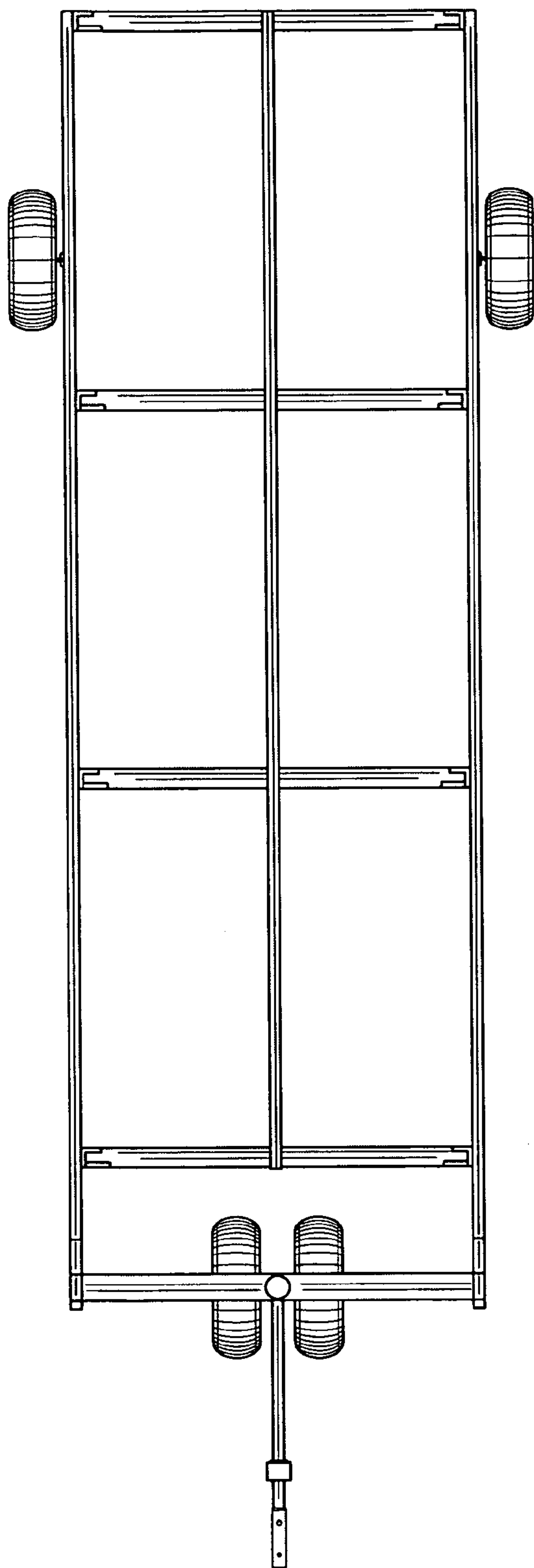


FIG. 6

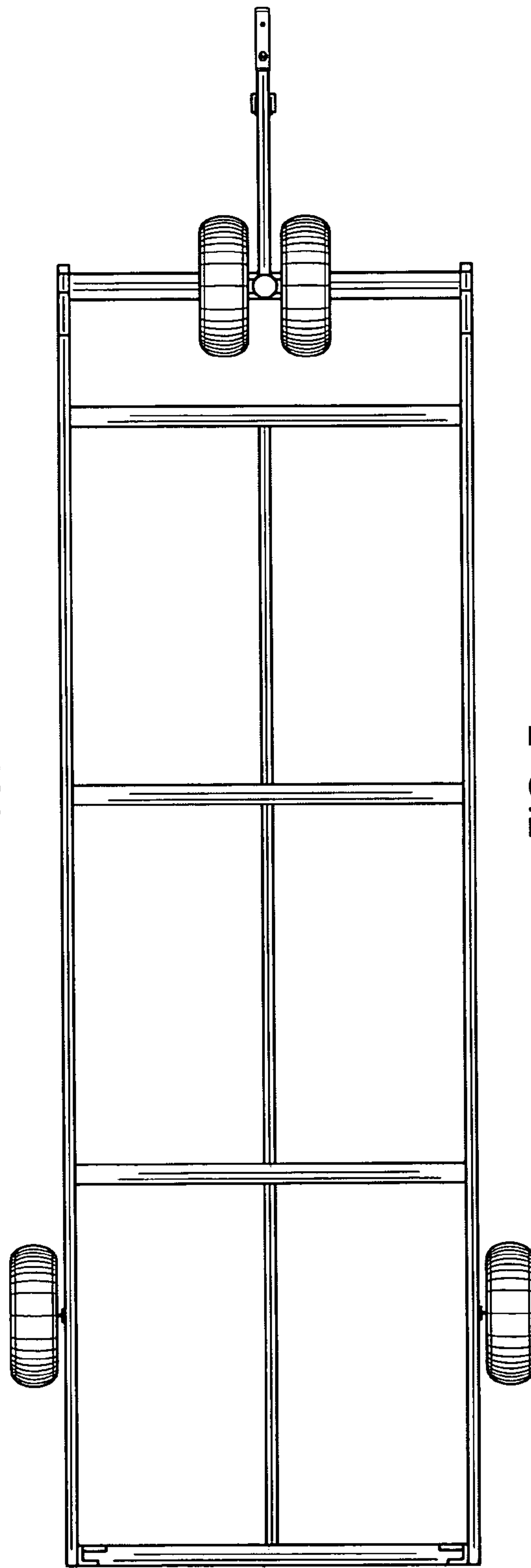


FIG. 7