



US00D588613S

(12) **United States Design Patent**  
**Schroeder et al.**

(10) **Patent No.:** **US D588,613 S**  
(45) **Date of Patent:** **\*\* Mar. 17, 2009**

(54) **ARM REST FOR LAWN MOWER**  
(75) Inventors: **Paul A. Schroeder**, Manitowoc, WI  
(US); **Mark F. Hanson**, Kaukauna, WI  
(US)

(73) Assignee: **Ariens Company**, Brillion, WI (US)

(\*\*) Term: **14 Years**

(21) Appl. No.: **29/304,289**

(22) Filed: **Feb. 28, 2008**

(51) **LOC (9) Cl.** ..... **15-03**

(52) **U.S. Cl.** ..... **D15/17; D15/28**

(58) **Field of Classification Search** ..... D15/22-26,  
D15/17, 28, 30, 15, 18; D6/356; D21/828,  
D21/829; D34/35; 180/268, 271, 275, 272;  
297/487, 488; 280/748, 753, 751  
See application file for complete search history.

(56) **References Cited**

**U.S. PATENT DOCUMENTS**

D277,916	S	*	3/1985	Aronowitz et al.	.....	D6/501
4,695,096	A	*	9/1987	Kincaid	.....	297/411.31
D398,311	S	*	9/1998	Smith	.....	D15/15
D409,208	S	*	5/1999	Eavenson et al.	.....	D15/15
D441,769	S	*	5/2001	Surridge	.....	D15/17
D458,278	S	*	6/2002	Clevenger	.....	D15/28
D463,458	S	*	9/2002	Arthur et al.	.....	D15/28
6,688,089	B2	*	2/2004	Velke et al.	.....	56/14.7
D495,718	S	*	9/2004	Higashikawa	.....	D15/15
D500,218	S	*	12/2004	Koepke et al.	.....	D6/501

D526,952	S	*	8/2006	Stahel et al.	.....	D12/411
D541,824	S	*	5/2007	Yanagida et al.	.....	D15/28
D555,047	S	*	11/2007	Colbert et al.	.....	D12/119
2002/0162314	A1	*	11/2002	Velke et al.	.....	56/14.7
2003/0221402	A1	*	12/2003	Velke et al.	.....	56/17.5
2007/0095040	A1	*	5/2007	Berkeley	.....	56/10.8

\* cited by examiner

*Primary Examiner*—Stella M Reid

*Assistant Examiner*—Mark A Goodwin

(74) *Attorney, Agent, or Firm*—Michael Best & Friedrich LLP

(57) **CLAIM**

We claim the ornamental design for an arm rest for lawn mower, as shown and described.

**DESCRIPTION**

FIG. 1 is a perspective view of an arm rest according to the present invention.

FIG. 2 is an enlarged right side view thereof.

FIG. 3 is an enlarged left side view thereof.

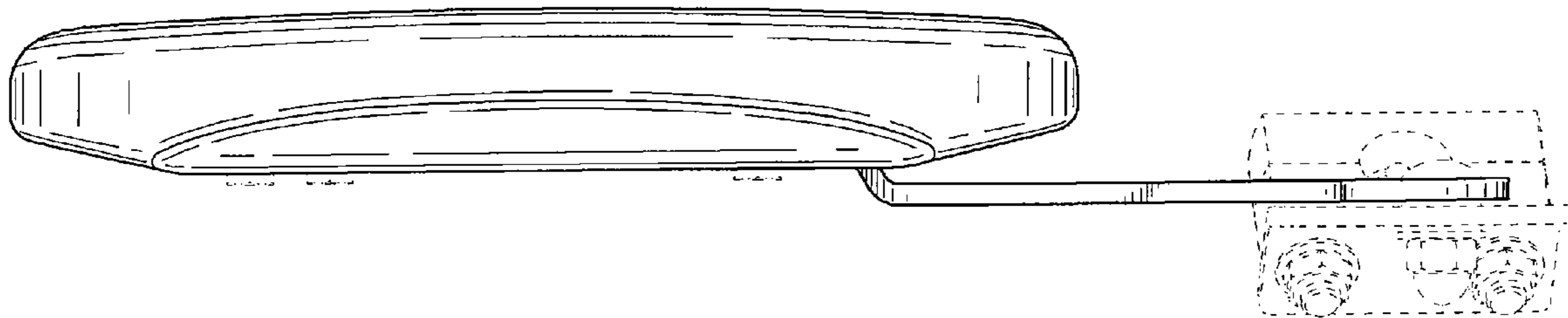
FIG. 4 is an enlarged front view thereof.

FIG. 5 is an enlarged top view thereof; and,

FIG. 6 is an enlarged bottom view thereof.

The broken line showing of the lawn mower and a second arm rest for lawn mower is included for the purpose of illustrating environmental structure and forms no part of the claimed design.

**1 Claim, 6 Drawing Sheets**



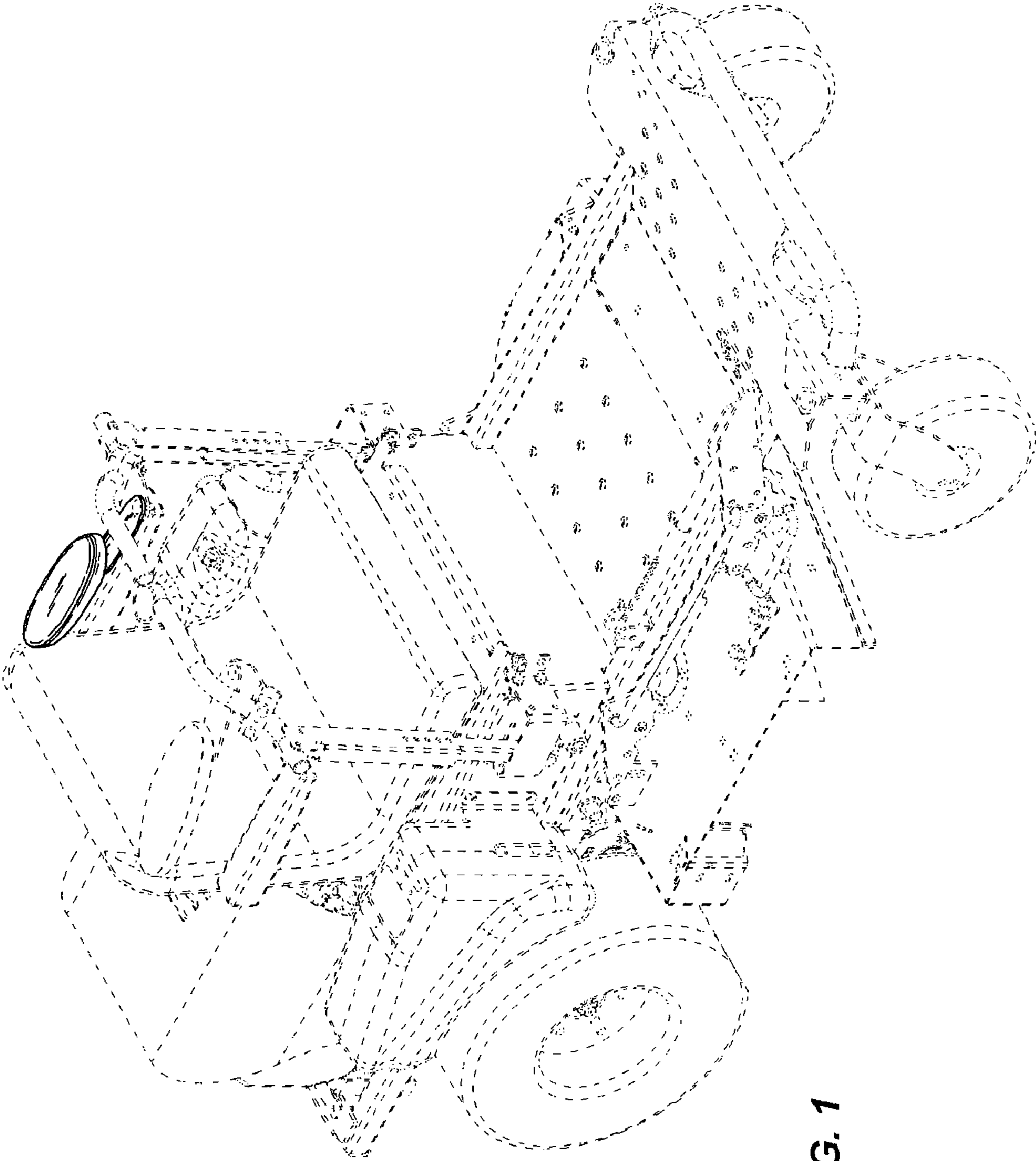


FIG. 1

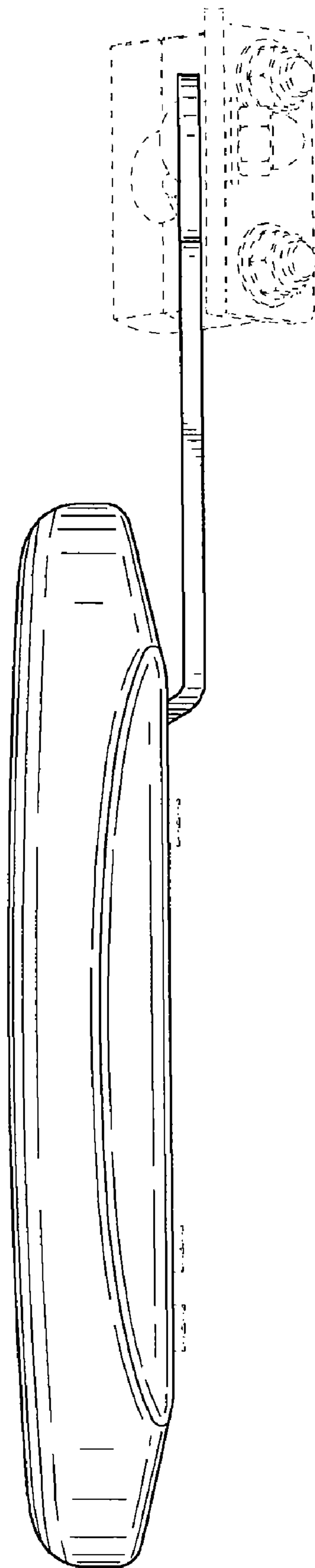
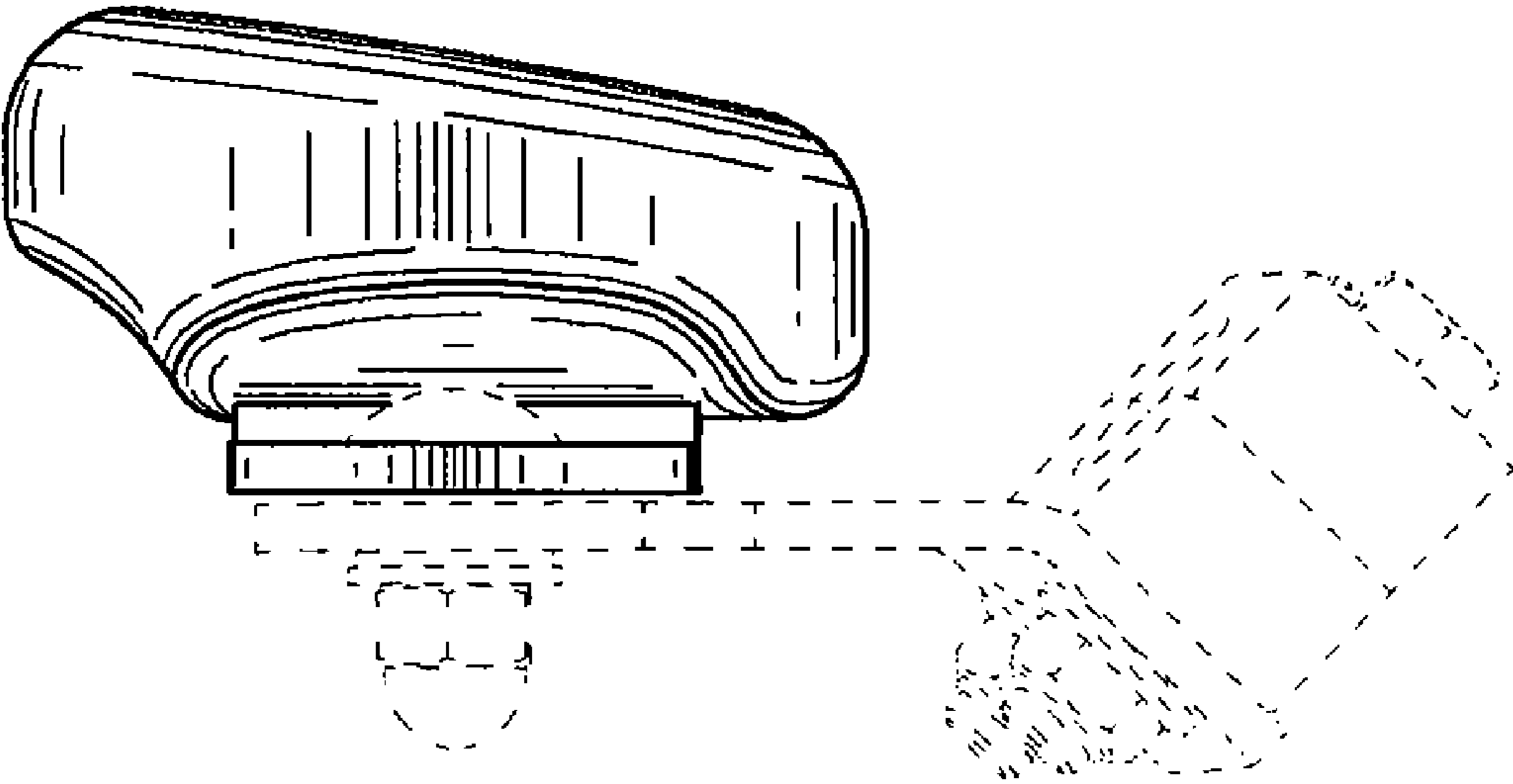


FIG. 2



FIG. 3



**FIG. 4**

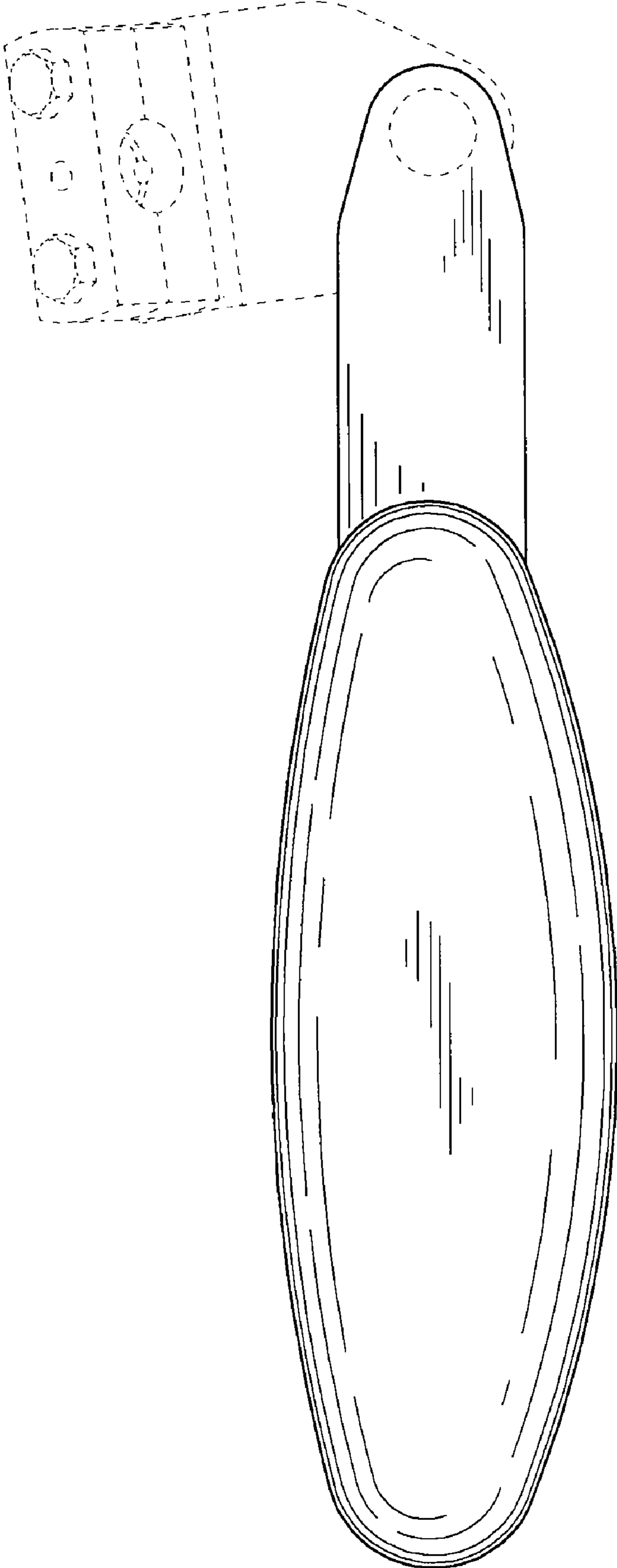


FIG. 5

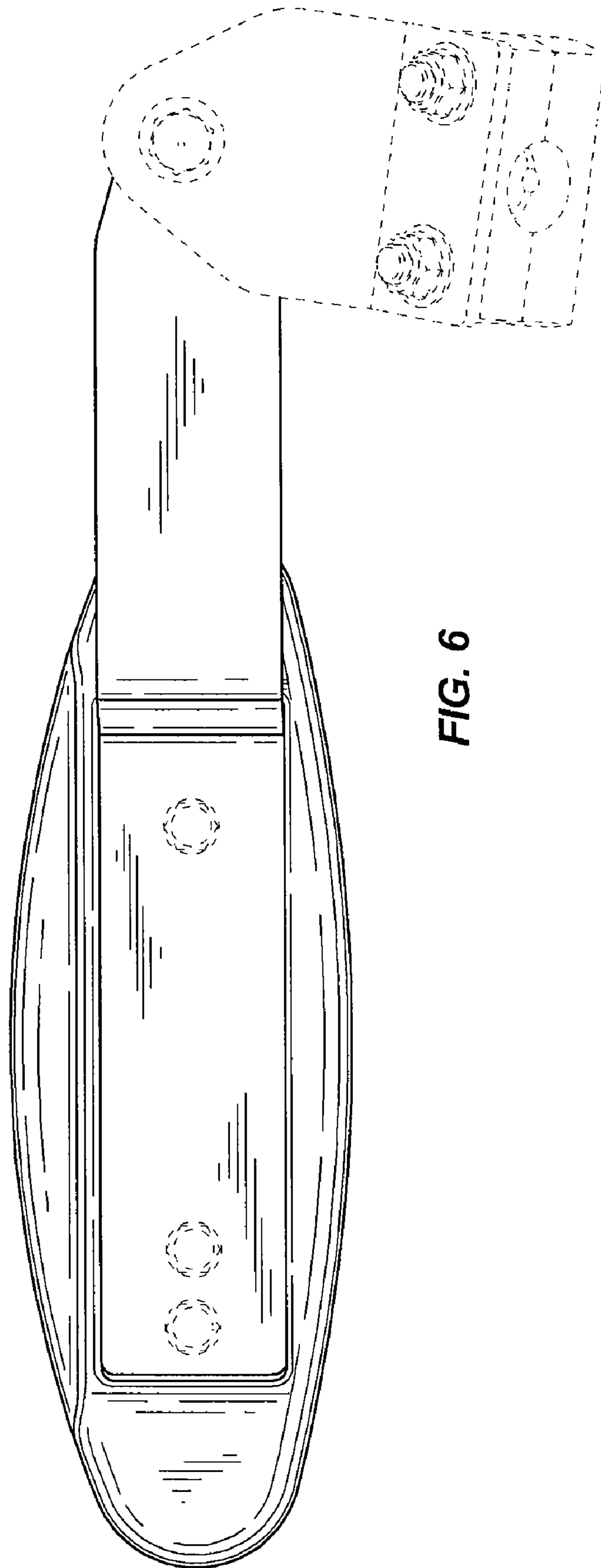


FIG. 6