

US00D588612S

(12) **United States Design Patent**
Steinfels

(10) **Patent No.:** **US D588,612 S**
(45) **Date of Patent:** **** Mar. 17, 2009**

(54) **HAND PORTABLE AIR COMPRESSOR**

(75) Inventor: **Craig R. Steinfels**, Jackson, TN (US)
(73) Assignee: **Black & Decker Inc.**, Newark, DE (US)
(**) Term: **14 Years**
(21) Appl. No.: **29/321,855**
(22) Filed: **Jul. 24, 2008**

(51) **LOC (9) Cl.** **15-02**
(52) **U.S. Cl.** **D15/7**
(58) **Field of Classification Search** D15/7-9;
D23/231, 232, 225; 417/410.1, 359, 415-416,
417/234, 321, 265, 405
See application file for complete search history.

(56) **References Cited**

U.S. PATENT DOCUMENTS

D444,797 S	7/2001	Davis et al.	
D446,220 S *	8/2001	Boughton et al.	D15/7
D475,721 S	6/2003	Harper et al.	
D478,095 S	8/2003	Reger	
D529,516 S	10/2006	Wu	
7,128,344 B2	10/2006	Sharp	
D559,271 S	1/2008	Hsiao	
D562,348 S *	2/2008	Andre et al.	D14/496
2006/0104825 A1	5/2006	Etter et al.	
2006/0104830 A1	5/2006	Fields	
2007/0212233 A1	9/2007	Chang et al.	

OTHER PUBLICATIONS

Ro1-Air D1500HPV5 www.toolbarn.com.
Bostitch 4.0 Gal. cgi.ebay.com.
Speedaire 4 Ga. 125psi Air Tank 5Z374A Psi cgi.ebay.com.
Hybest ACW03304BED www.hybest.com.
Northern Ind. Pancake Air Compressor RAC2025BP www.northerntool.com.
Campbell Hausfeld FP202800RB www.cpocampbleehausfeld.com.
* cited by examiner

Primary Examiner—R. Seifert
(74) *Attorney, Agent, or Firm*—Rhonda L. Barton; Michael P. Leary

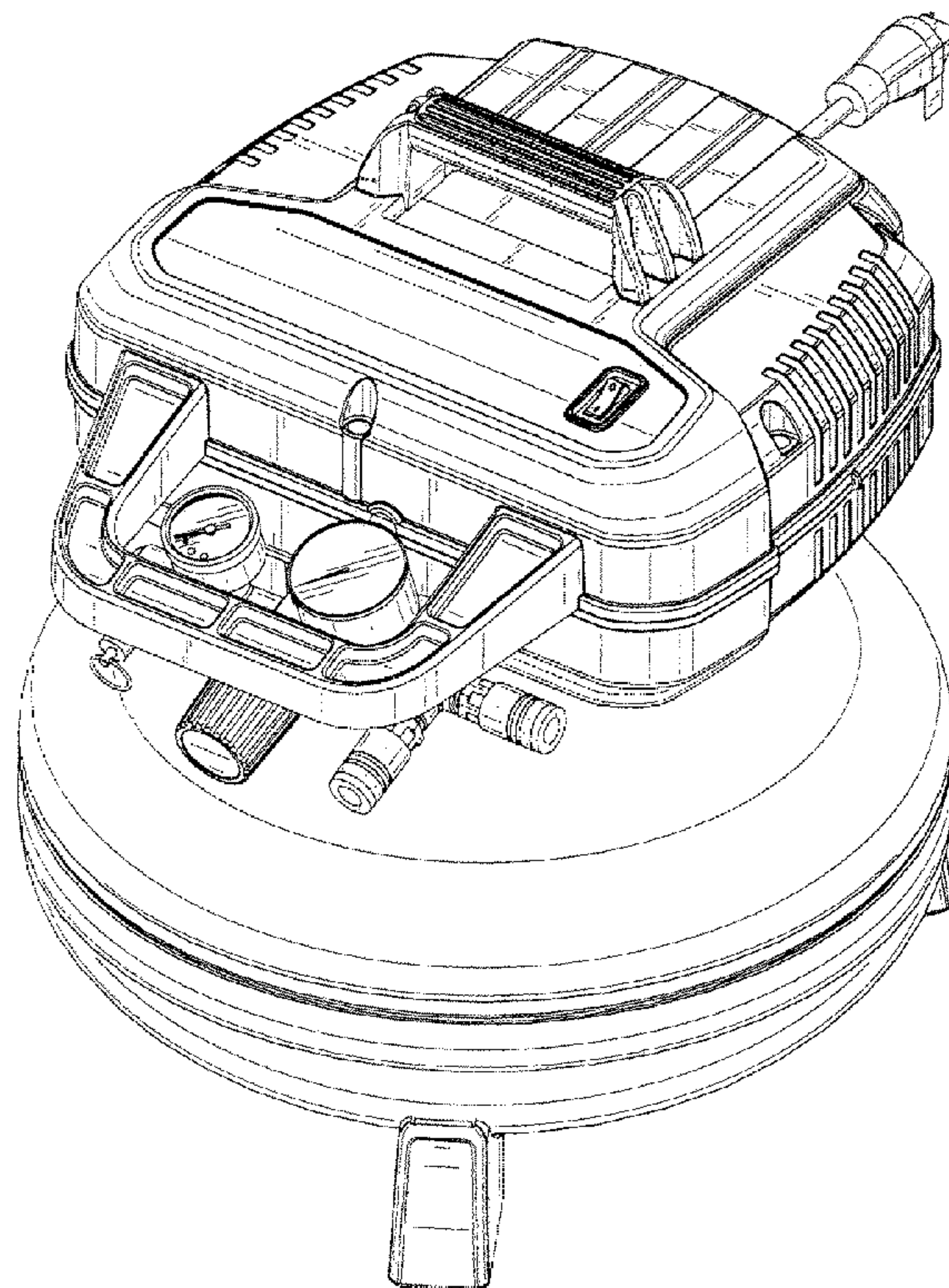
(57) **CLAIM**

The ornamental design for a hand portable air compressor, as shown and described.

DESCRIPTION

FIG. 1 is a top/front perspective view of a hand portable air compressor showing my new design.
FIG. 2 is a top/rear perspective view thereof.
FIG. 3 is a front view thereof.
FIG. 4 is a rear side view thereof.
FIG. 5 is a left side view thereof.
FIG. 6 is a right side view thereof.
FIG. 7 is a top view thereof; and,
FIG. 8 is a bottom view thereof.

1 Claim, 8 Drawing Sheets



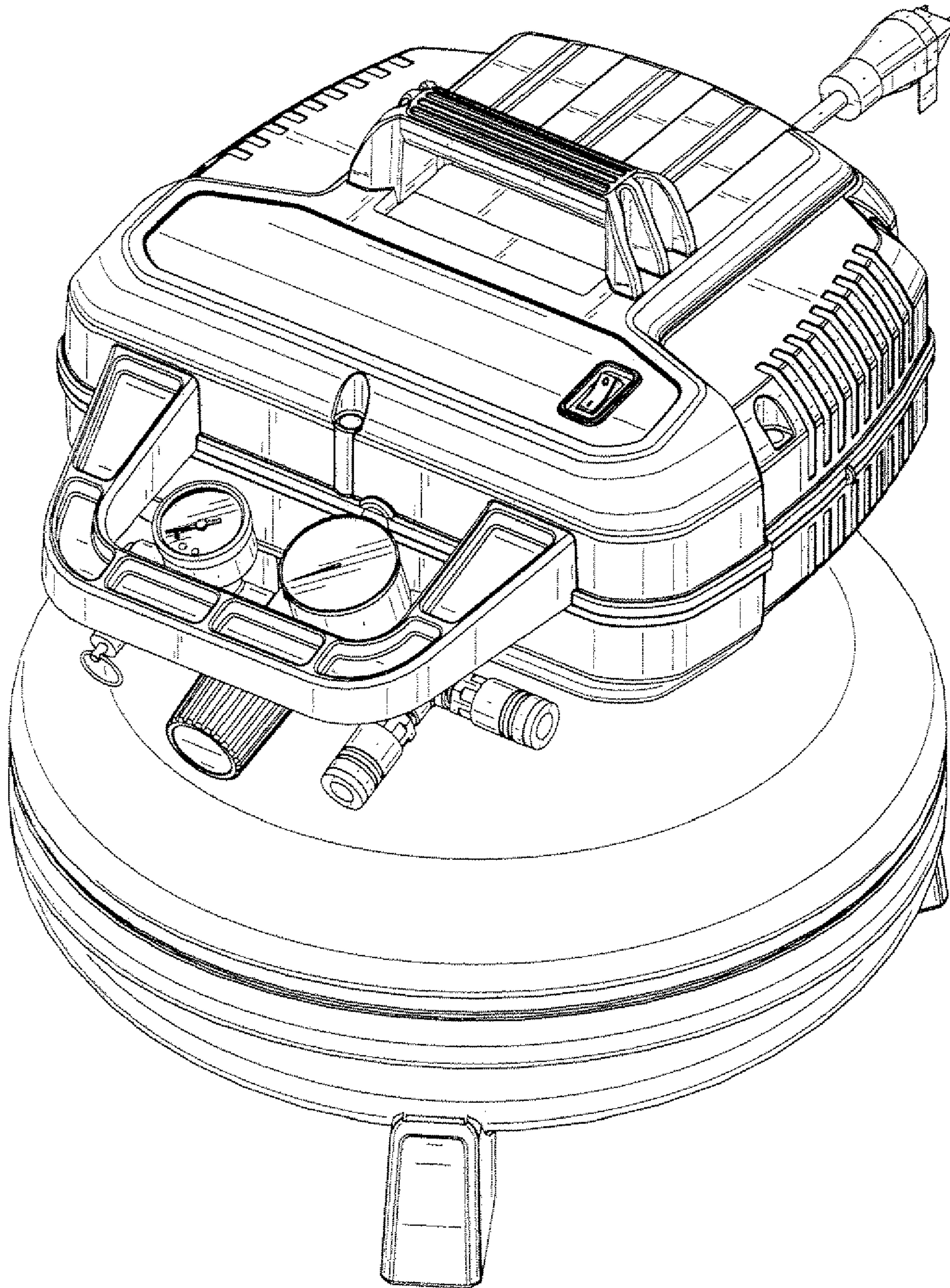


FIG. 1

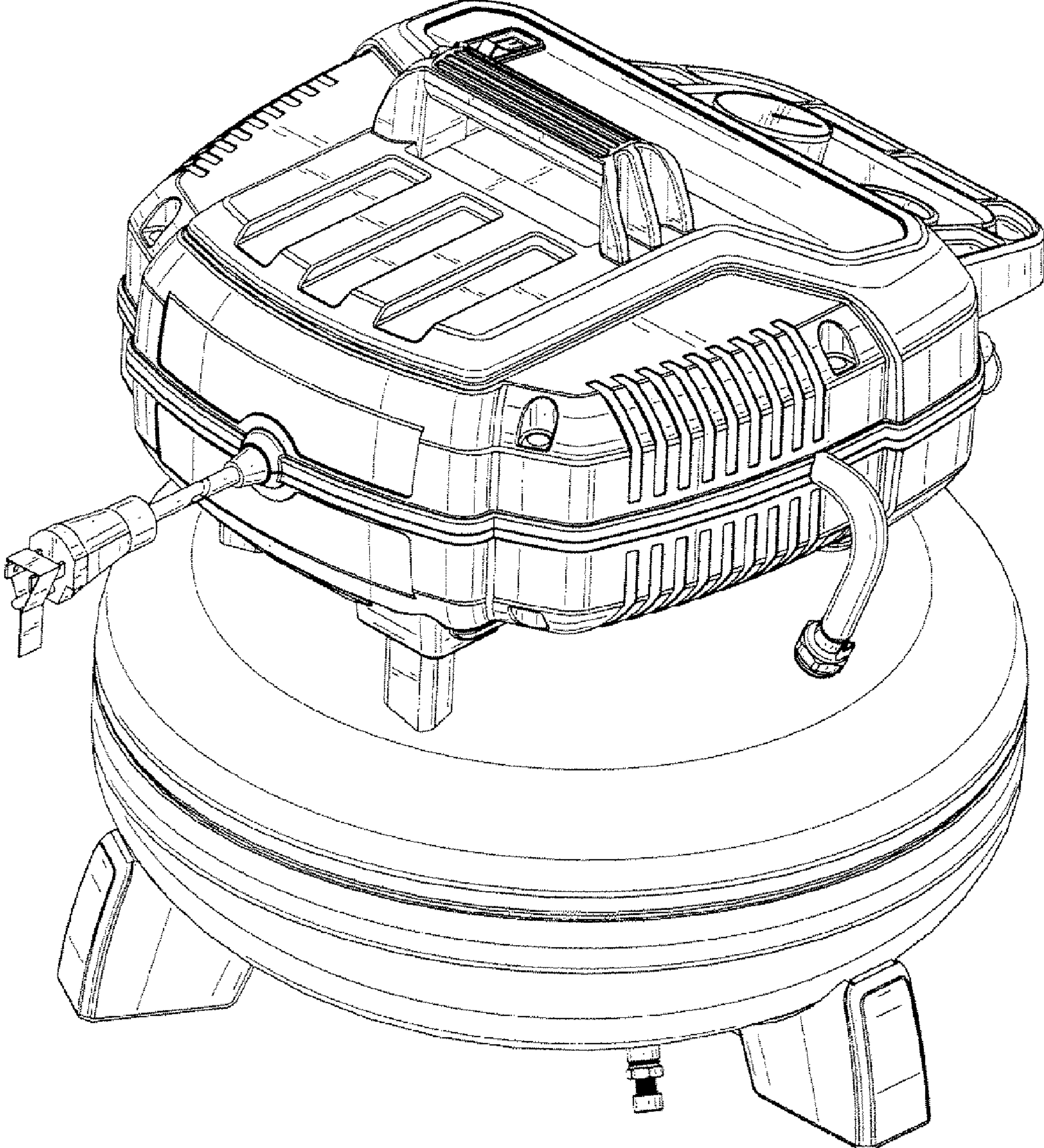


FIG. 2

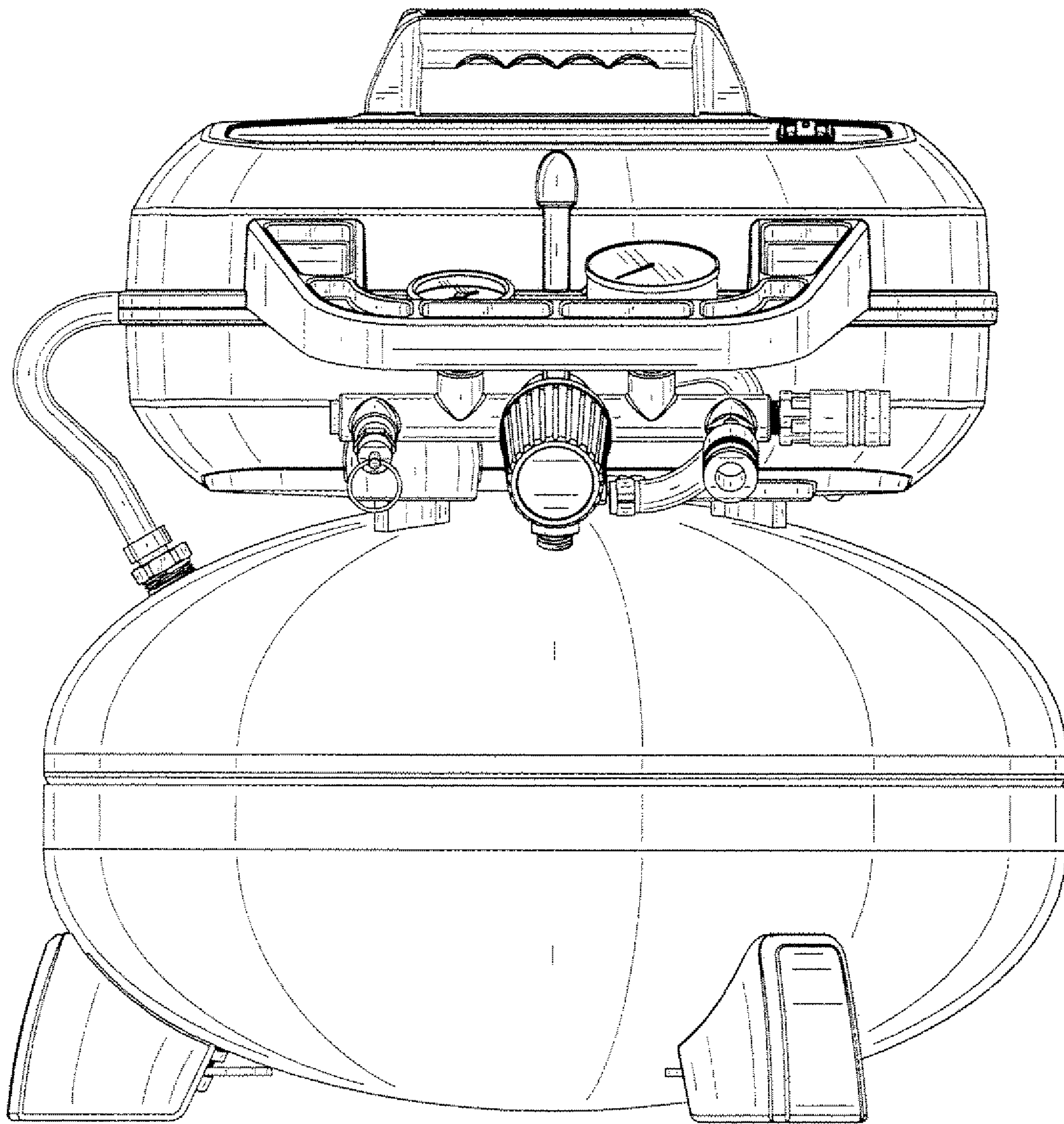


FIG. 3

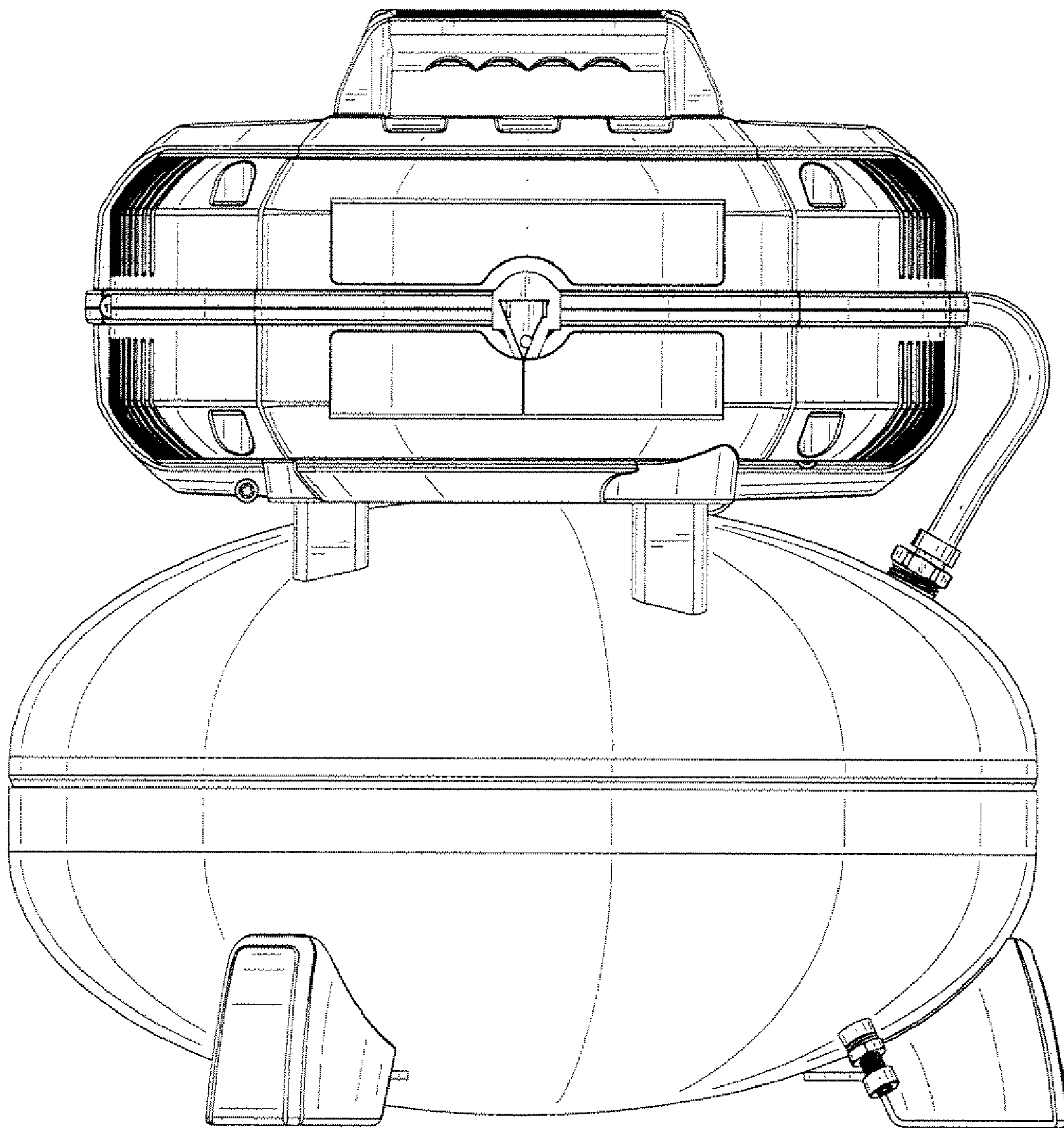


FIG. 4

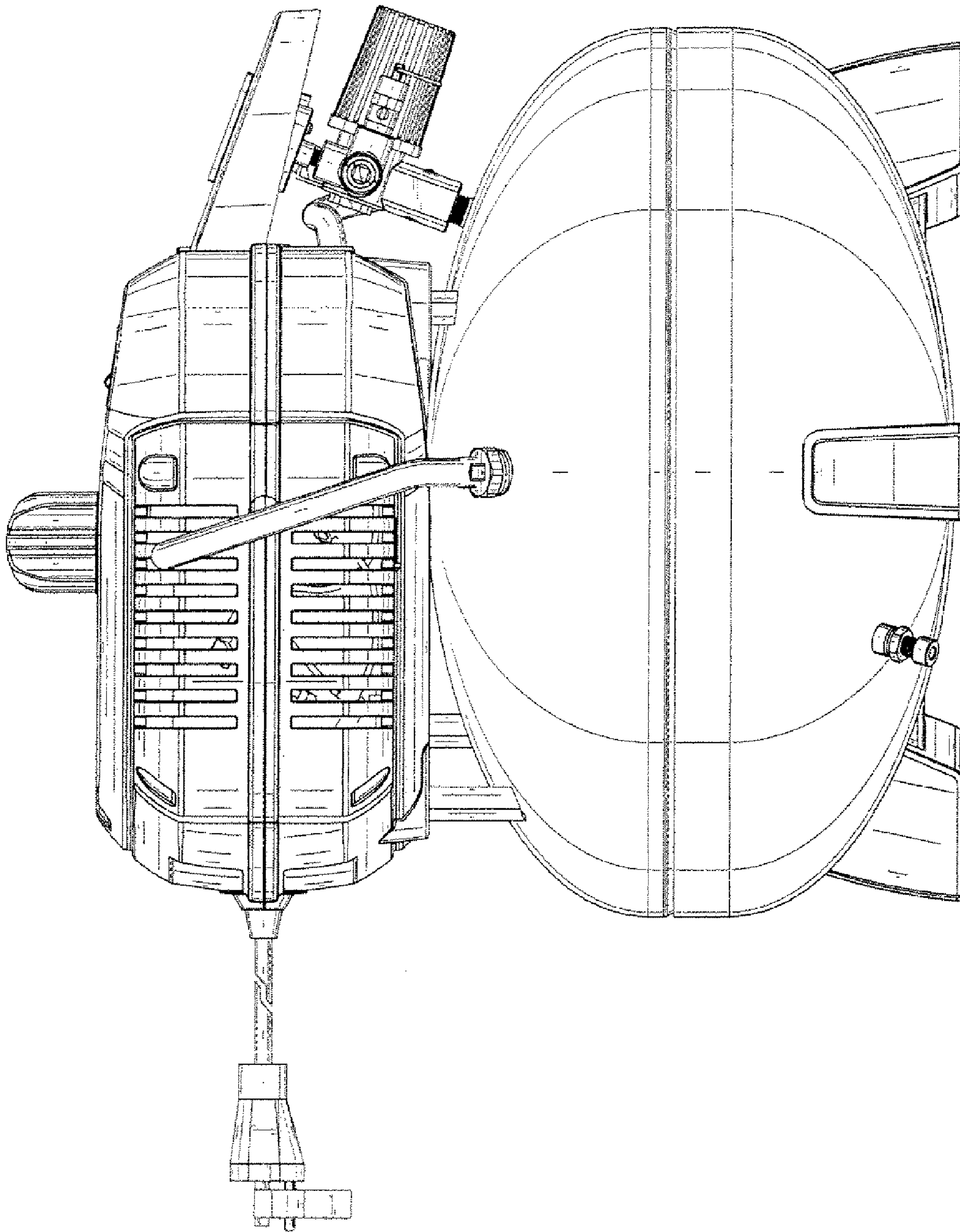


FIG. 5

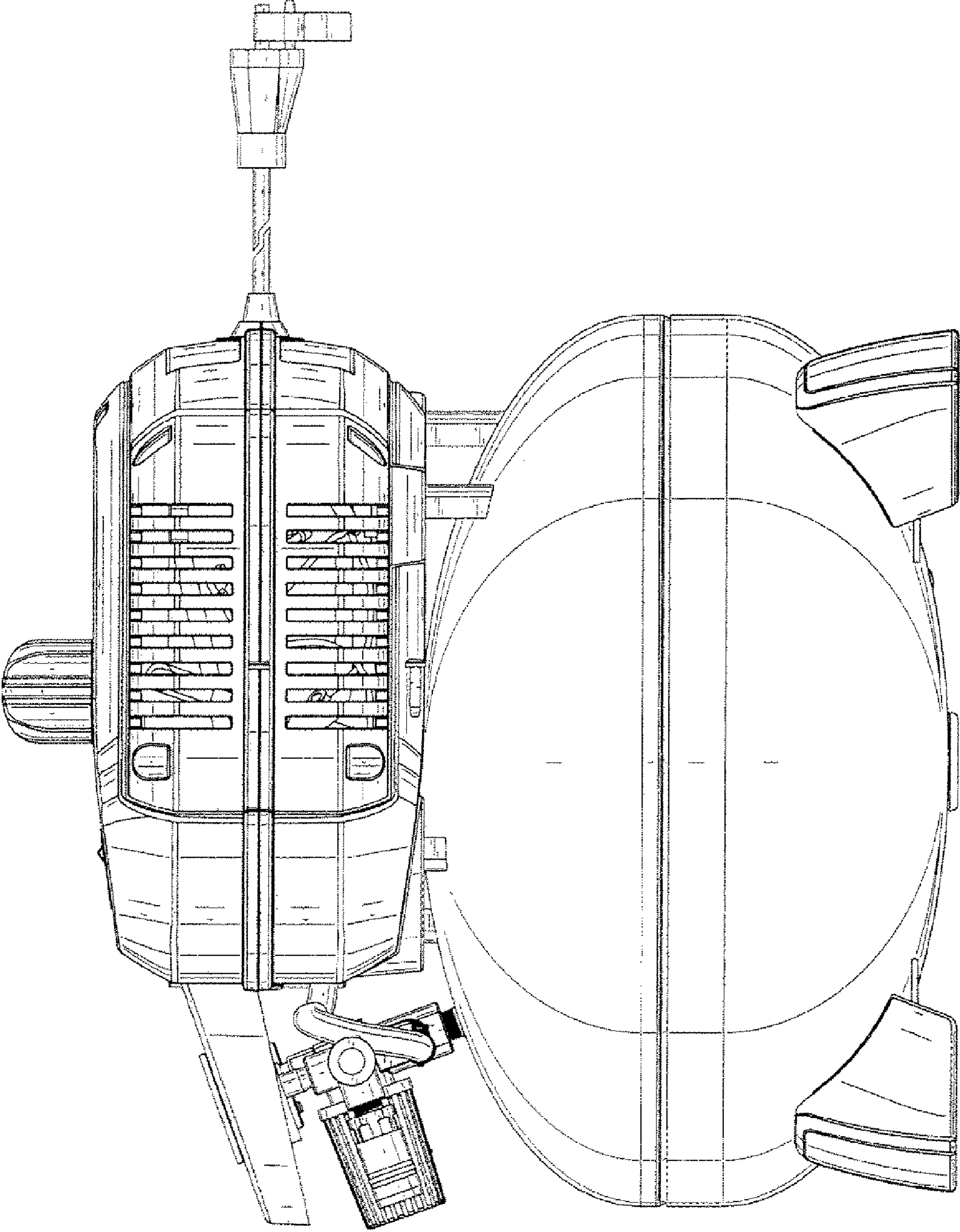


FIG. 6

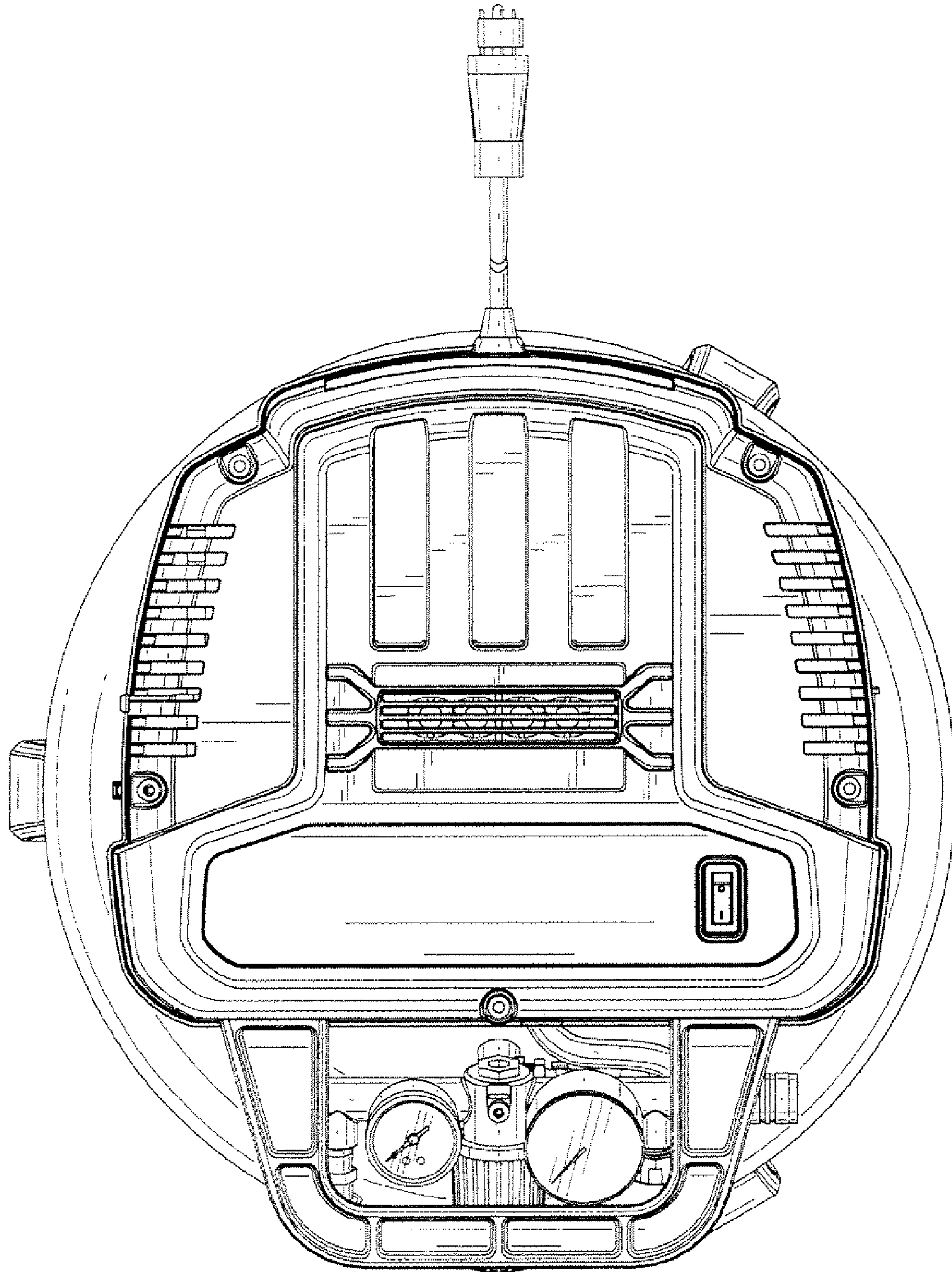


FIG. 7

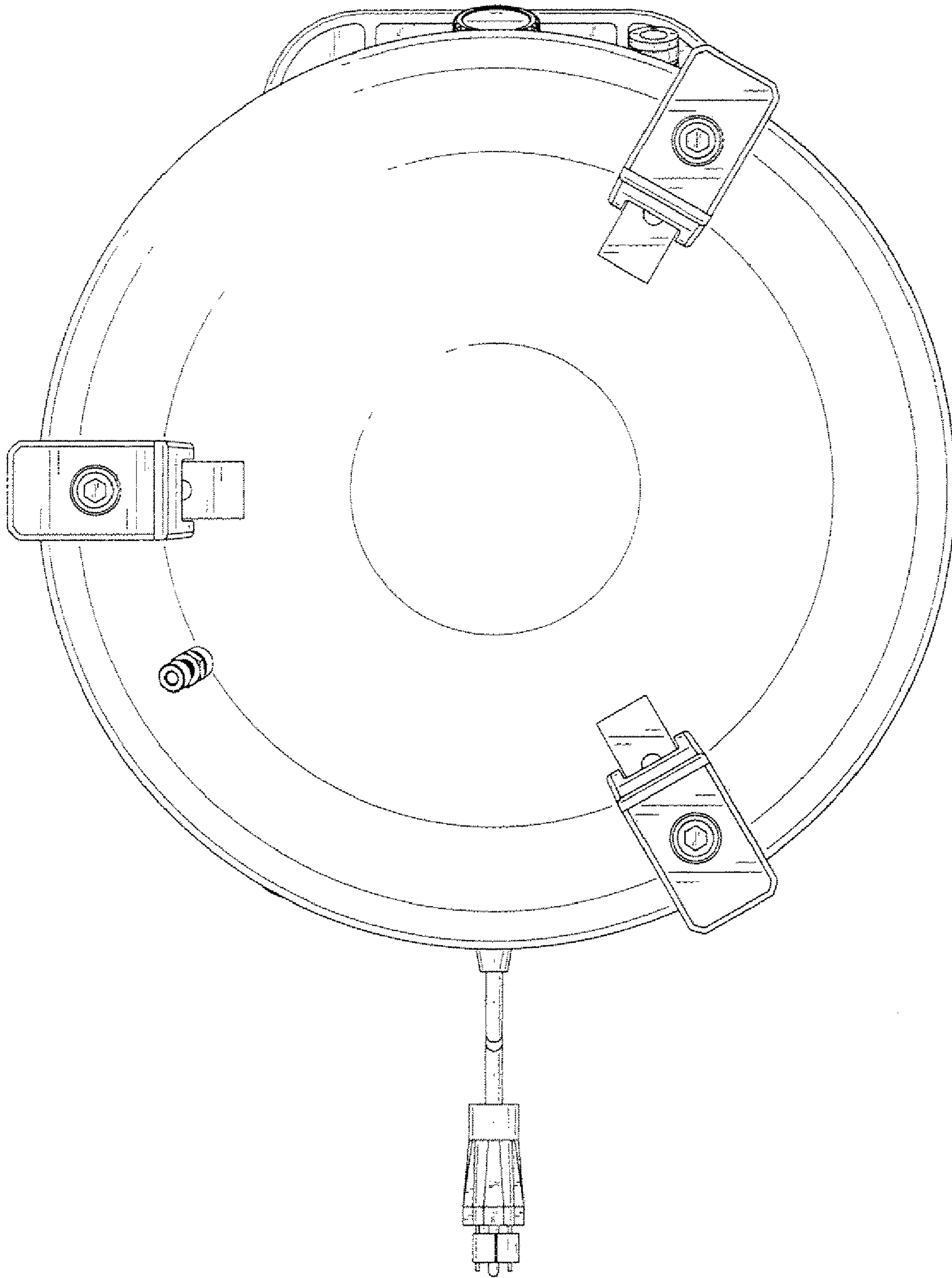


FIG. 8