



US00D588602S

(12) **United States Design Patent**  
**Chao et al.**

(10) **Patent No.:** **US D588,602 S**  
(45) **Date of Patent:** **\*\* Mar. 17, 2009**

(54) **STAND FOR MONITOR**

(75) Inventors: **Hui-Ling Chao**, Hsinchu (TW);  
**Min-Hao Yuan**, Hsinchu (TW);  
**Ching-Tang Chang**, Hsinchu (TW)

(73) Assignee: **Coretronic Corporation**, Hsin-Chu (TW)

(\*\*) Term: **14 Years**

(21) Appl. No.: **29/305,654**

(22) Filed: **Mar. 25, 2008**

(30) **Foreign Application Priority Data**

Nov. 27, 2007 (TW) ..... 96306475

(51) **LOC (9) Cl.** ..... **08-07**

(52) **U.S. Cl.** ..... **D14/451**

(58) **Field of Classification Search** ..... D14/448,  
D14/449, 450, 451, 452, 457, 447, 439, 440,  
D14/441, 432, 336, 337, 371, 372, 373, 374,  
D14/375, 376, 377, 378, 379, 380, 381, 382,  
D14/125, 126, 127, 129, 133, 239, 251, 252,  
D14/253, 305, 307, 335, 340, 339; D6/300,  
D6/308, 310, 312, 313, 314, 449, 512; D8/353;  
40/700; 345/905; 348/184, 739, 761, 766,  
348/789, 790, 794, 825, 836, 840; 349/58,  
349/60; 248/917, 918, 919, 920, 921, 922,  
248/923, 924; 312/7.2; 361/680, 681, 682,  
361/683

See application file for complete search history.

(56) **References Cited**

**U.S. PATENT DOCUMENTS**

D78,519 S \* 5/1929 Hoegger ..... D6/300  
D295,415 S \* 4/1988 Thies et al. .... D14/452  
6,315,252 B1 \* 11/2001 Schultz ..... 248/160  
6,827,318 B1 \* 12/2004 Hsu Li ..... 248/160

D530,328 S \* 10/2006 Chen et al. .... D14/375  
D533,055 S \* 12/2006 Brassard ..... D8/373  
7,226,026 B2 \* 6/2007 Lin ..... 248/205.5  
D549,709 S \* 8/2007 Richter ..... D14/447  
D567,810 S \* 4/2008 Yeh ..... D14/253  
7,413,150 B1 \* 8/2008 Hsu ..... 248/123.11  
2005/0109899 A1 \* 5/2005 Yeh ..... 248/205.5  
2005/0151043 A1 \* 7/2005 Kim et al. .... 248/274.1

**FOREIGN PATENT DOCUMENTS**

TW D107010 10/2005

\* cited by examiner

*Primary Examiner*—Jennifer Rivard

*Assistant Examiner*—Angela J Lee

(74) *Attorney, Agent, or Firm*—Jianq Chyun IP Office

(57) **CLAIM**

The ornamental design for a stand for monitor, as shown and described.

**DESCRIPTION**

FIG. 1 is a perspective view of a stand for monitor showing the new design;

FIG. 2 is a front view thereof;

FIG. 3 is a rear view thereof;

FIG. 4 is a left side view thereof;

FIG. 5 is a right side view thereof;

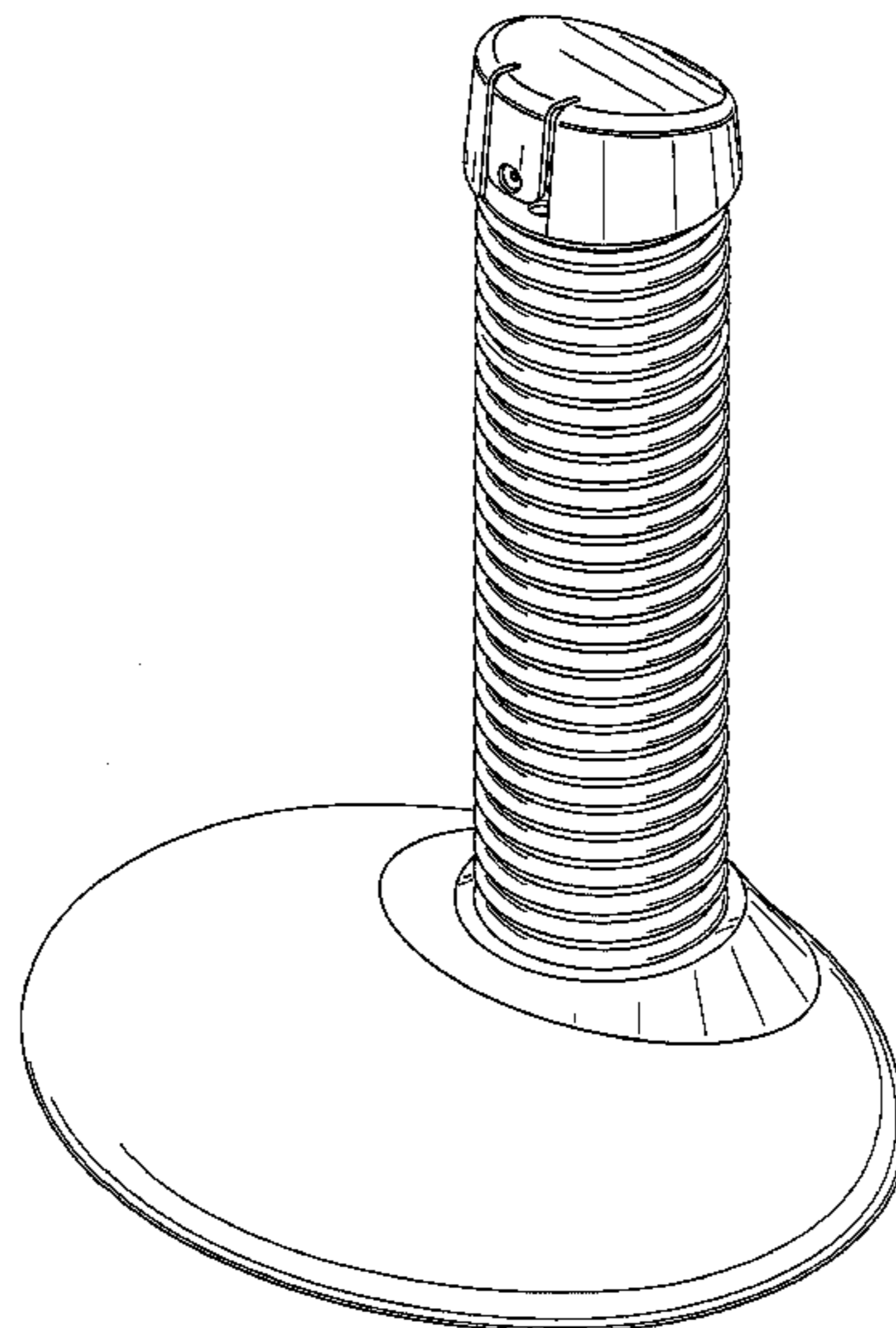
FIG. 6 is a top view thereof;

FIG. 7 is a perspective view showing the article supporting a monitor in a high position; and,

FIG. 8 is a perspective view showing the article supporting a monitor in a low position.

The broken line showing of a monitor is included for the purpose of illustrating environment and forms no part of the claimed design.

**1 Claim, 8 Drawing Sheets**



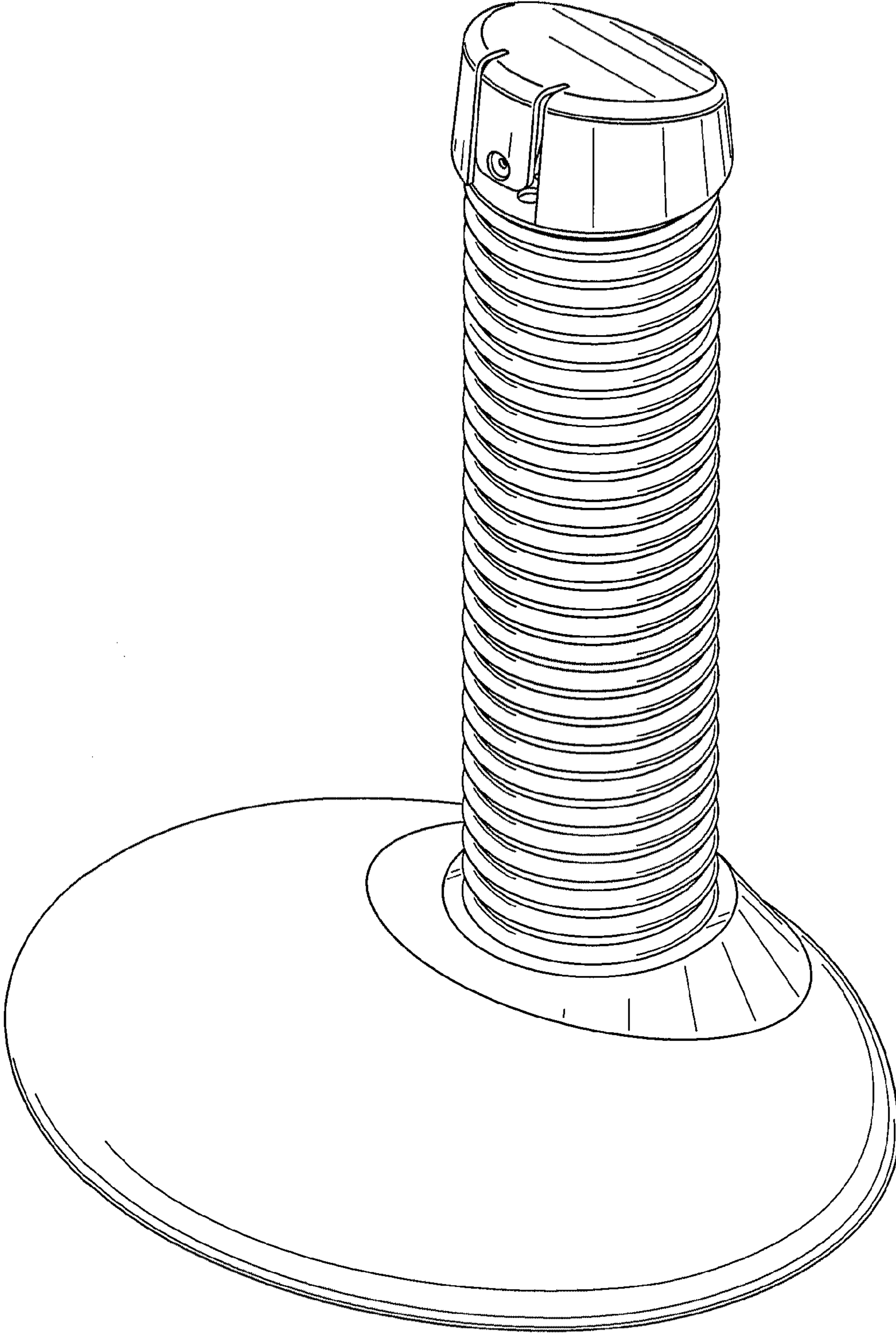


FIG. 1

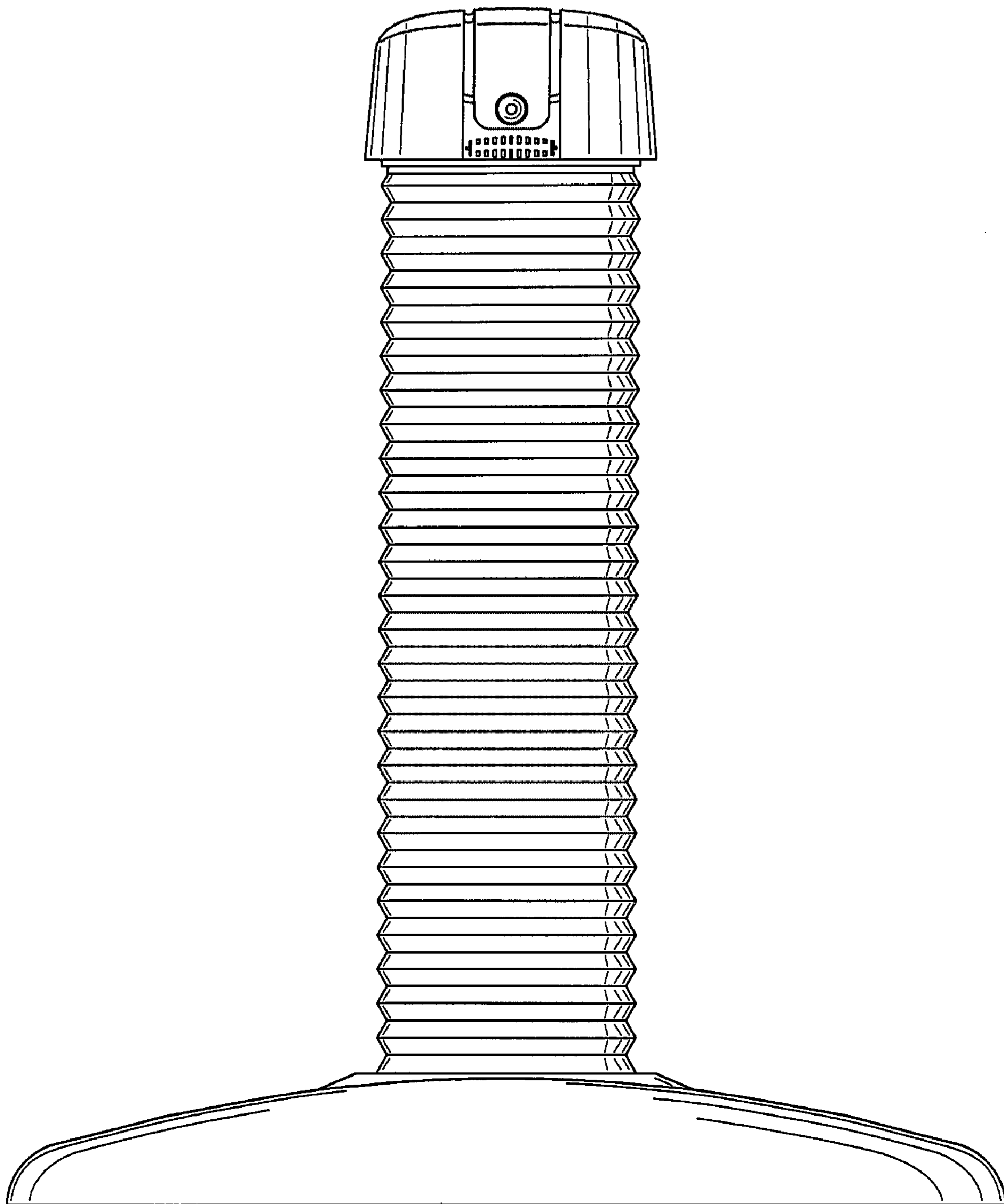


FIG. 2

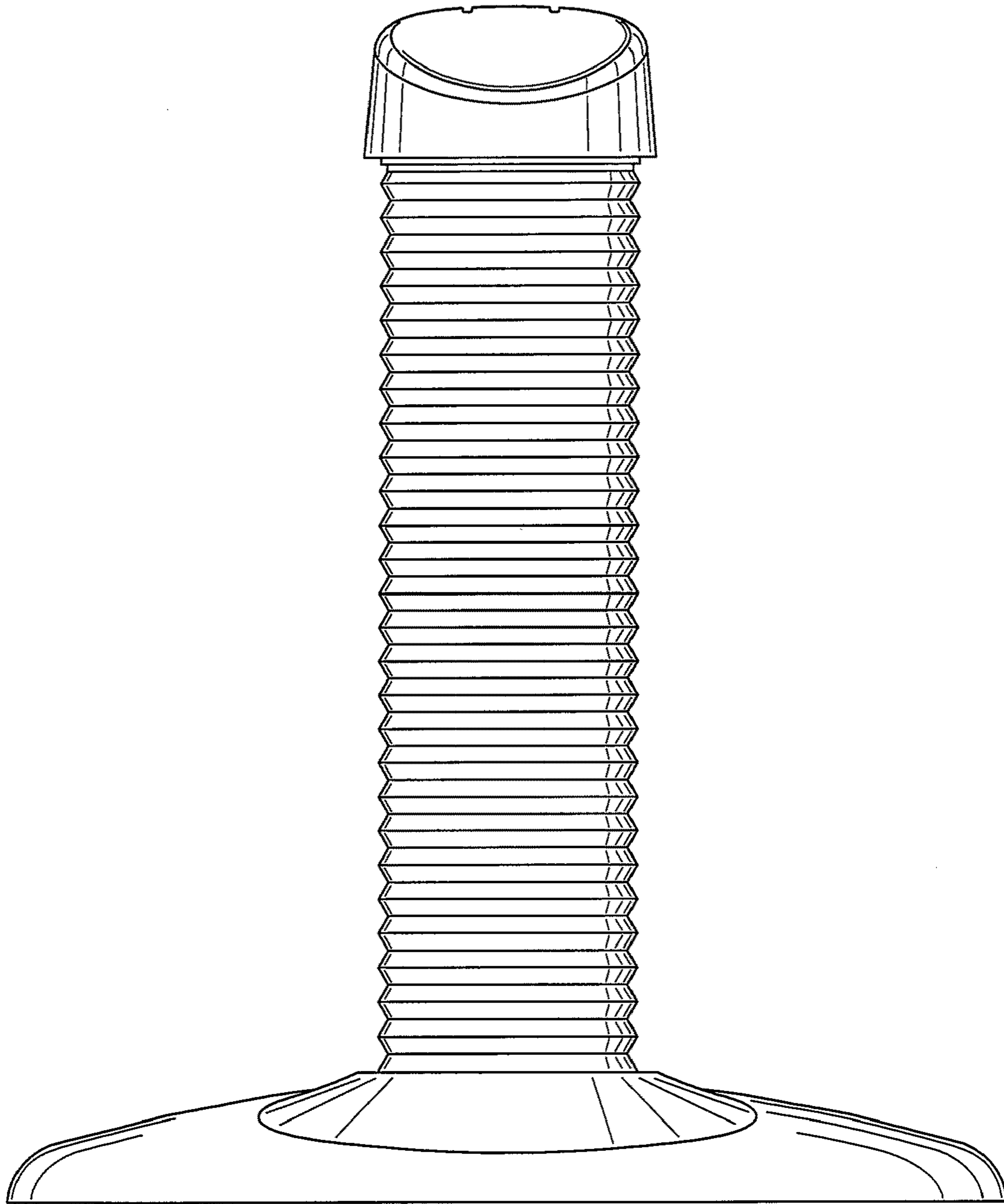


FIG. 3

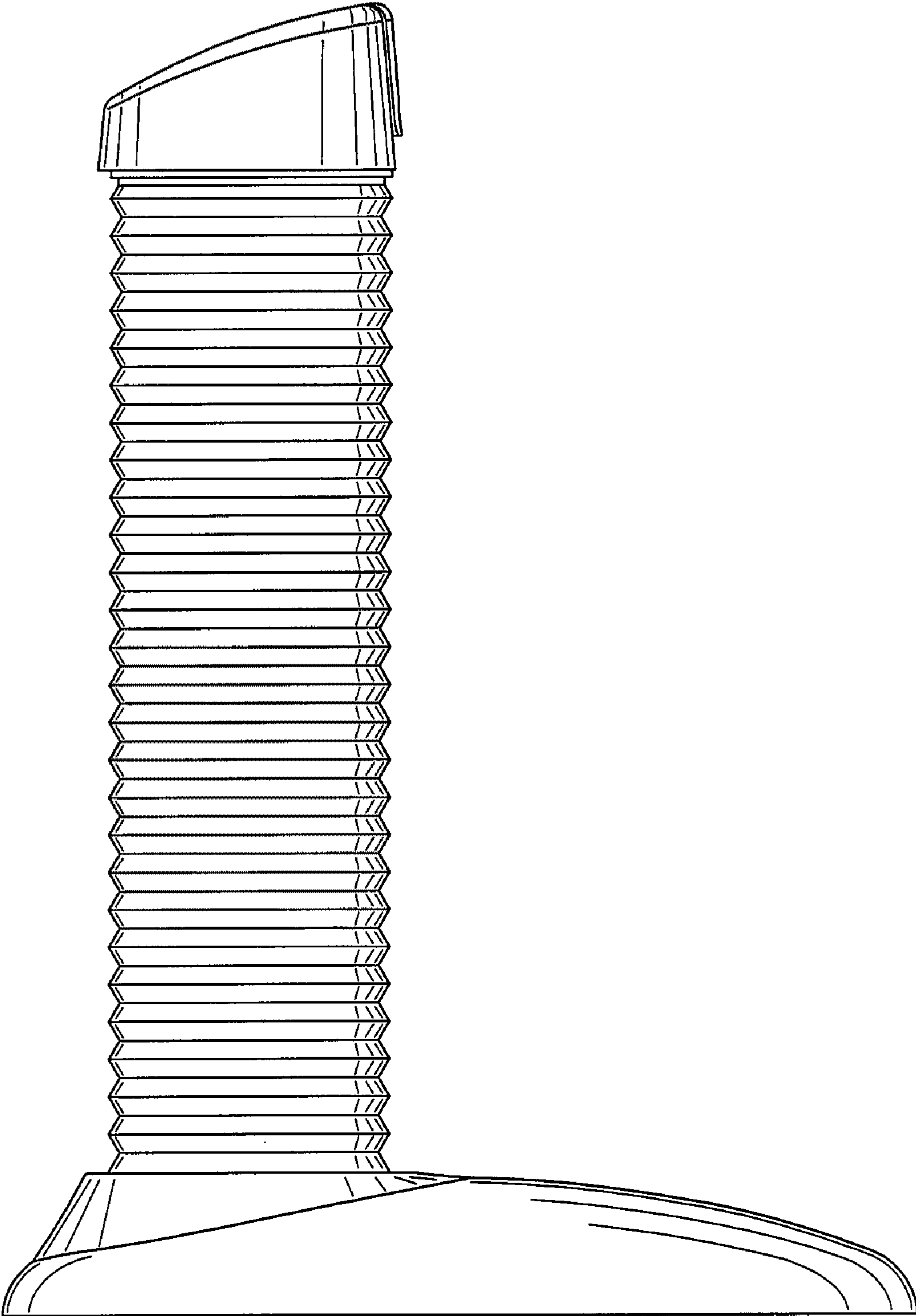


FIG. 4

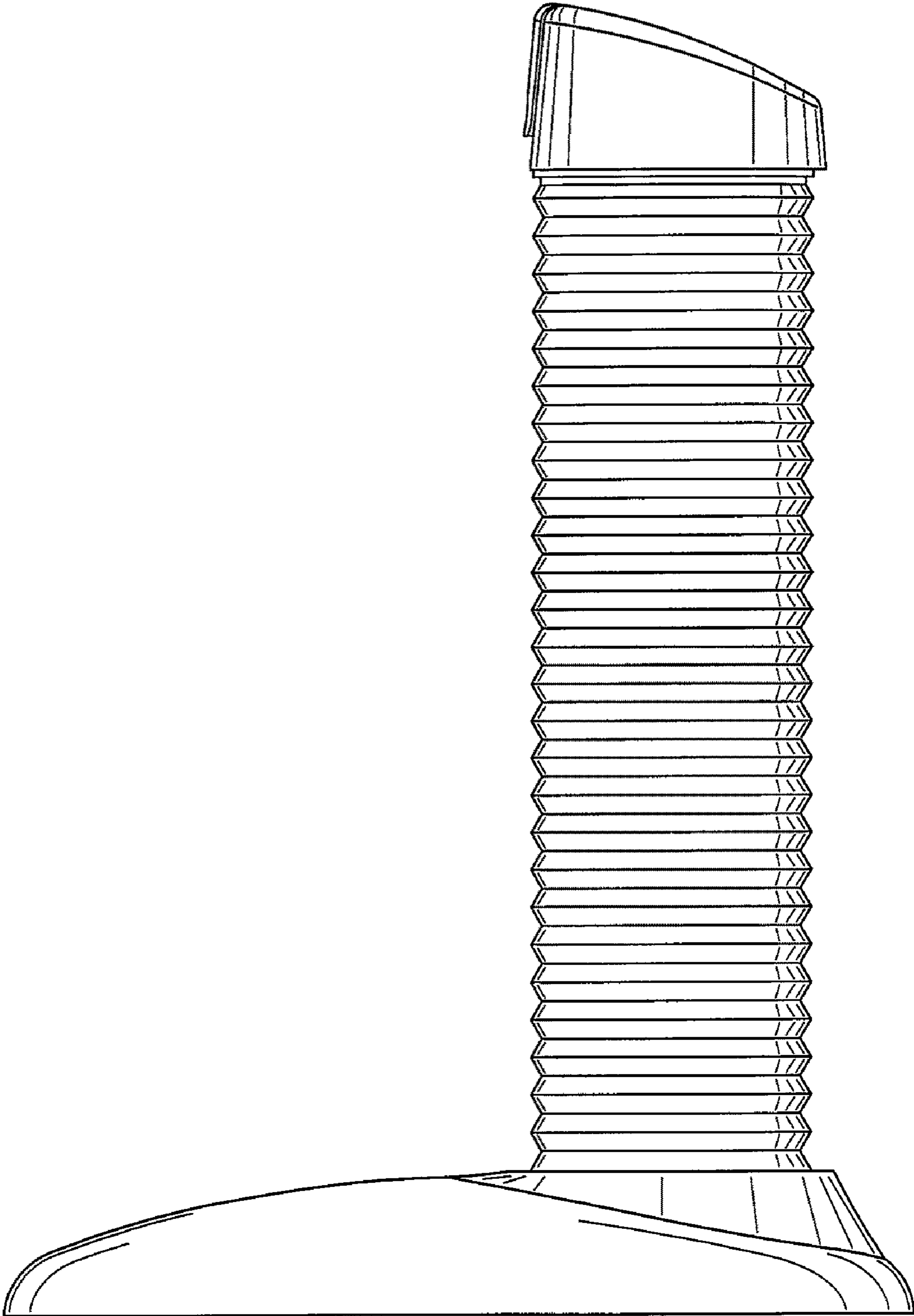


FIG. 5

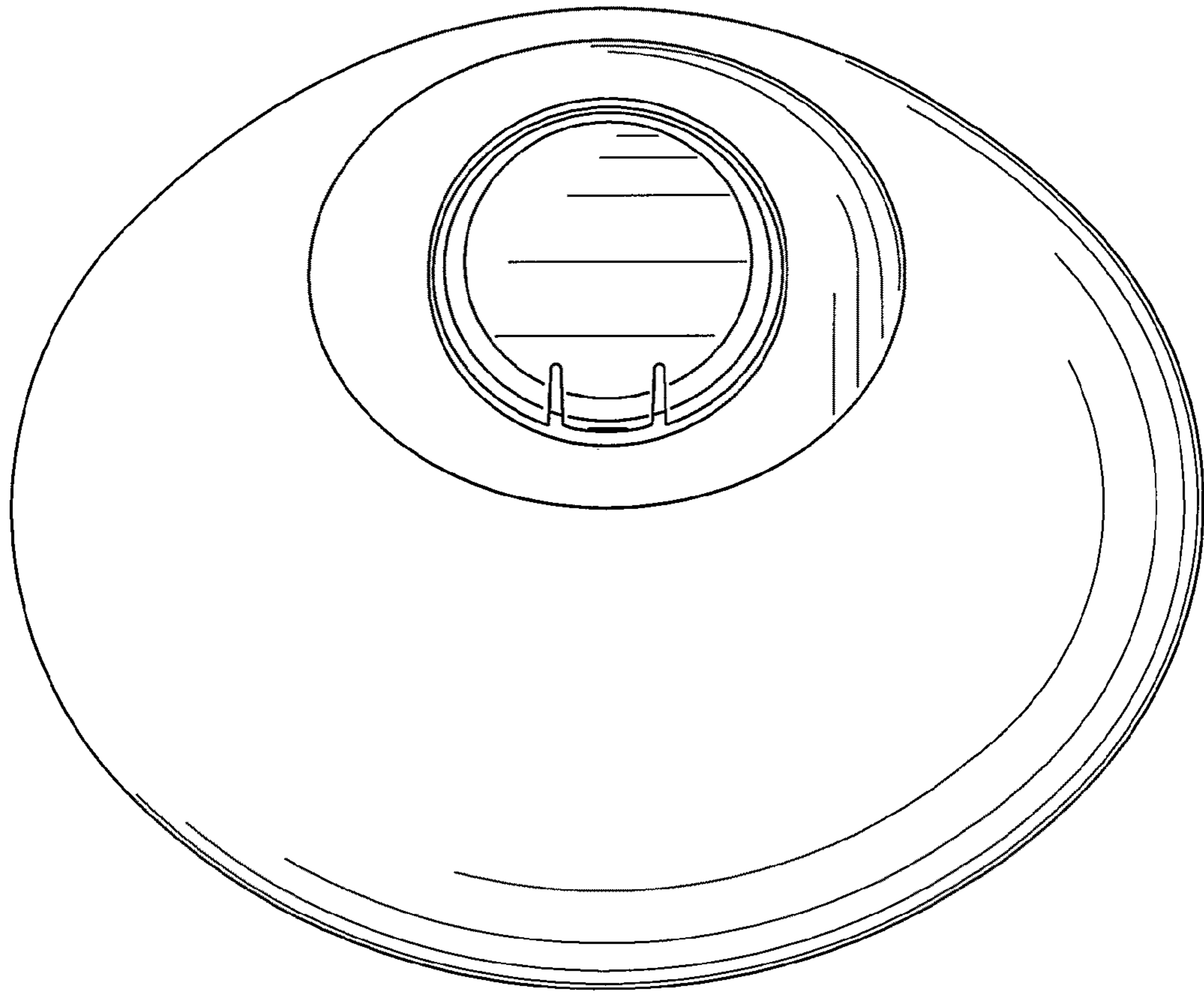


FIG. 6

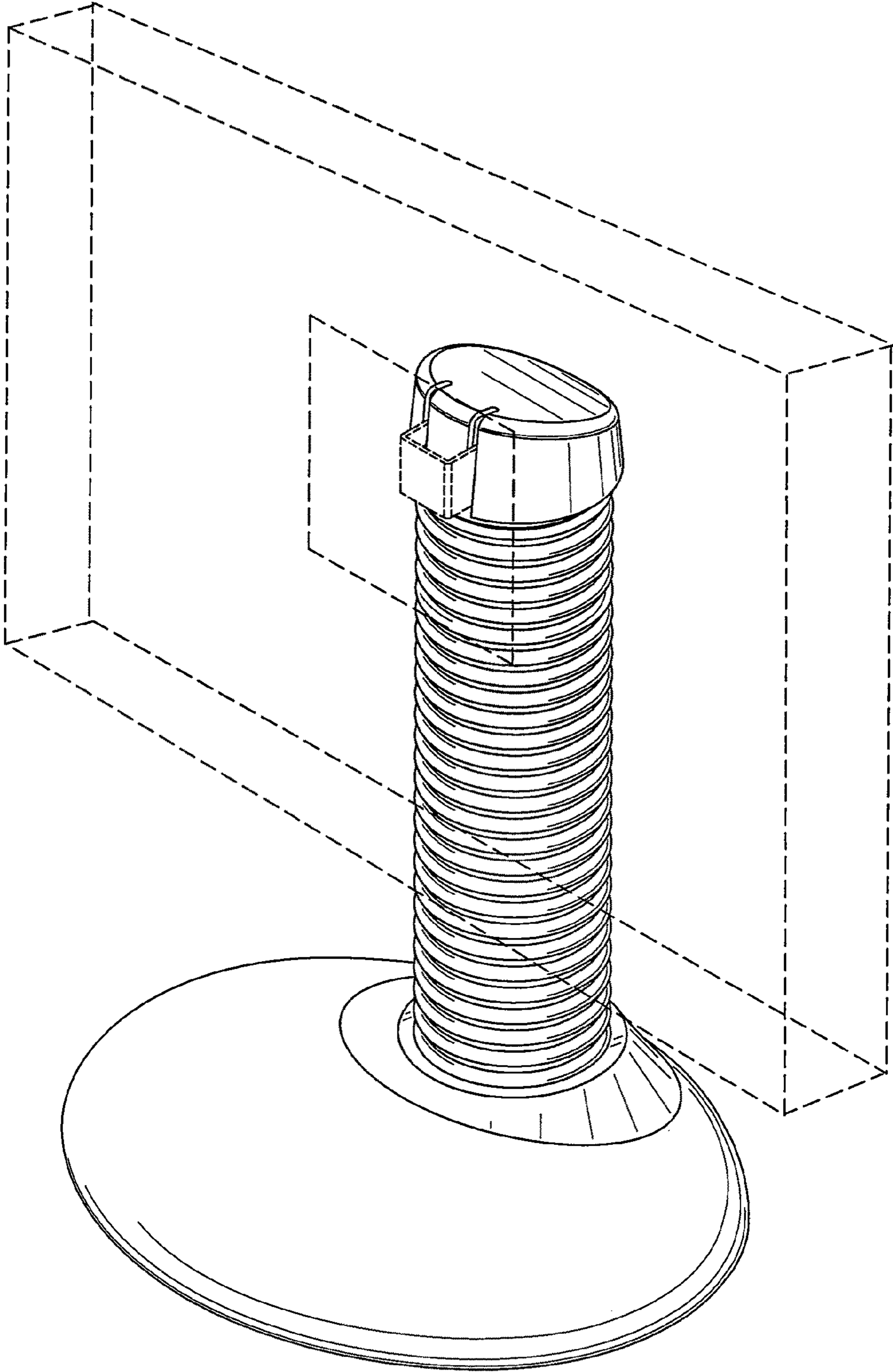


FIG. 7



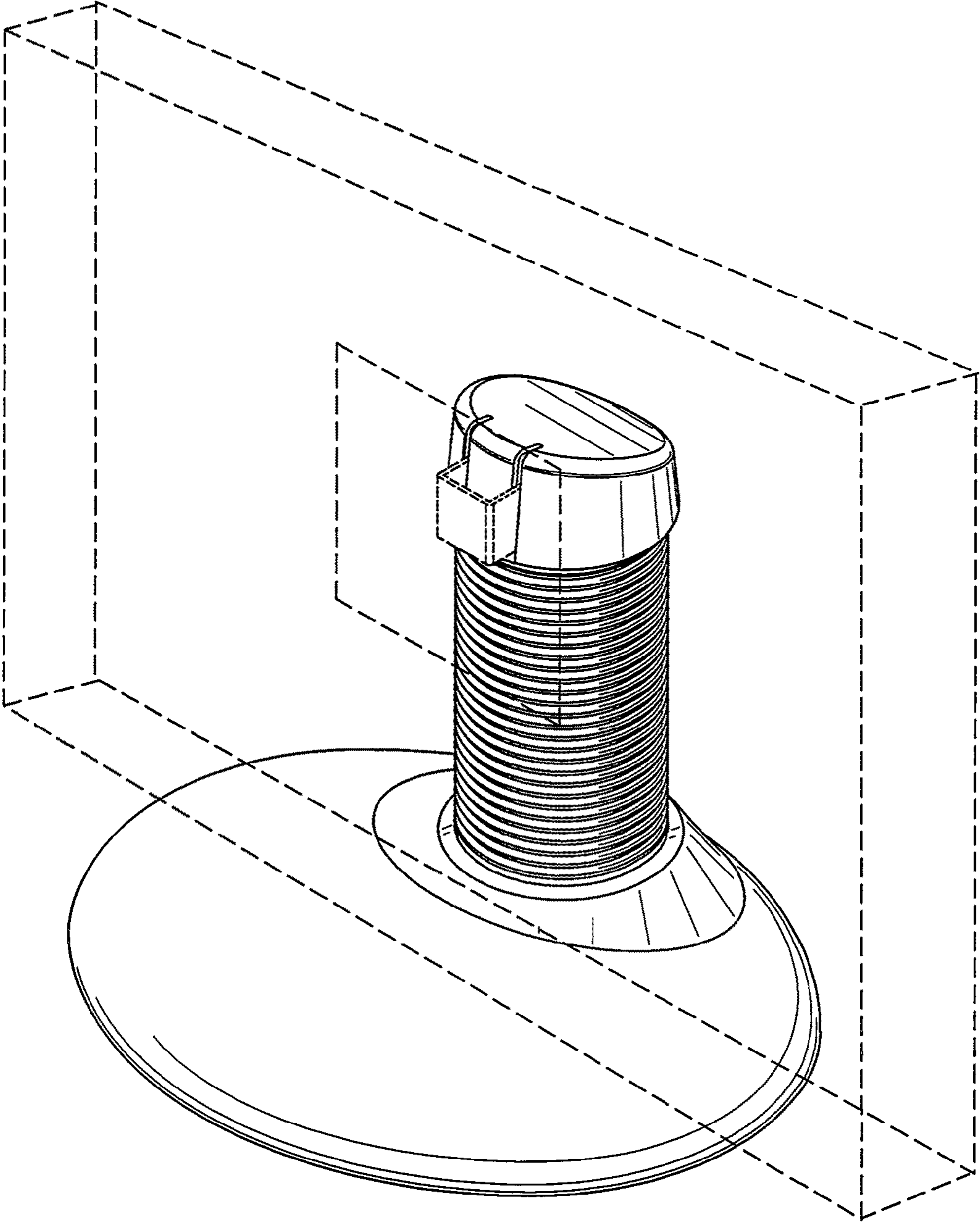


FIG. 8