



US00D588596S

(12) **United States Design Patent**
Mazzone et al.

(10) **Patent No.:** **US D588,596 S**
(45) **Date of Patent:** **** Mar. 17, 2009**

- (54) **CODED INFORMATION READER**
- (75) Inventors: **Claudio Mazzone**, Crespellano (IT);
Stefano Vassura, Rastignano (IT);
Corrado Tasselli, Sala Bolognese (IT);
Monica Alegiani, Silvi (IT); **Massimo Lotti**, Rimini (IT)
- (73) Assignee: **Datalogic, S.p.A.**, Lippo Di Calderara Di Reno (Bologna) (IT)

D400,199 S 10/1998 Fitch et al.
5,850,078 A * 12/1998 Giordano et al. 235/462.27
D414,171 S 9/1999 Swift et al.
5,965,863 A * 10/1999 Parker et al. 235/462.25
D418,500 S 1/2000 Giordano et al.
D435,557 S * 12/2000 Eisenberg et al. D14/428
6,158,662 A * 12/2000 Kahn et al. 235/472.01
6,234,394 B1 * 5/2001 Kahn et al. 235/462.46
D446,524 S 8/2001 Bontly et al.
6,321,990 B1 * 11/2001 Giordano et al. 235/472.01

(**) Term: **14 Years**

(21) Appl. No.: **29/305,454**

(22) Filed: **Mar. 20, 2008**

Related U.S. Application Data

(62) Division of application No. 29/248,141, filed on Jul. 31, 2006, now Pat. No. Des. 570,843.

(30) **Foreign Application Priority Data**

Feb. 1, 2006 (EP) 06425049

(51) **LOC (9) Cl.** **14-02**

(52) **U.S. Cl.** **D14/428**; D14/426

(58) **Field of Classification Search** D14/420,
D14/426-430, 453, 346, 341, 347, 412; D13/107,
D13/184; 358/473; 235/462.43, 462.45,
235/462.47, 462.48, 462.44, 462.46, 487,
235/472.01, 472.02; 16/110.1, 430, 431;
439/133, 135; 709/219, 201; 710/73; 320/114,
320/115, 123; 361/679; 382/313, 321; 455/575.1,
455/561, 572

See application file for complete search history.

(56) **References Cited**

U.S. PATENT DOCUMENTS

D344,501 S 2/1994 Gong et al.
D362,435 S 9/1995 Charych et al.
5,475,206 A * 12/1995 Reddersen et al. 235/462.39
5,744,791 A * 4/1998 Isaac et al. 235/472.01
5,801,371 A * 9/1998 Kahn et al. 235/472.01

(Continued)

FOREIGN PATENT DOCUMENTS

DE 20016762 U1 1/2001

(Continued)

OTHER PUBLICATIONS

European Search Report dated Jul. 5, 2005 from European Application No. 06425049.

Primary Examiner—Susan Moon Lee

(74) *Attorney, Agent, or Firm*—Duane Morris LLP

(57)

CLAIM

We claim the ornamental design for a coded information reader, as shown and described.

DESCRIPTION

FIG. 1 is a front perspective view of a coded information reader according to the present invention;

FIG. 2 is a rear perspective view thereof;

FIG. 3 is a front view thereof;

FIG. 4 is a right side view thereof;

FIG. 5 is a left side view thereof;

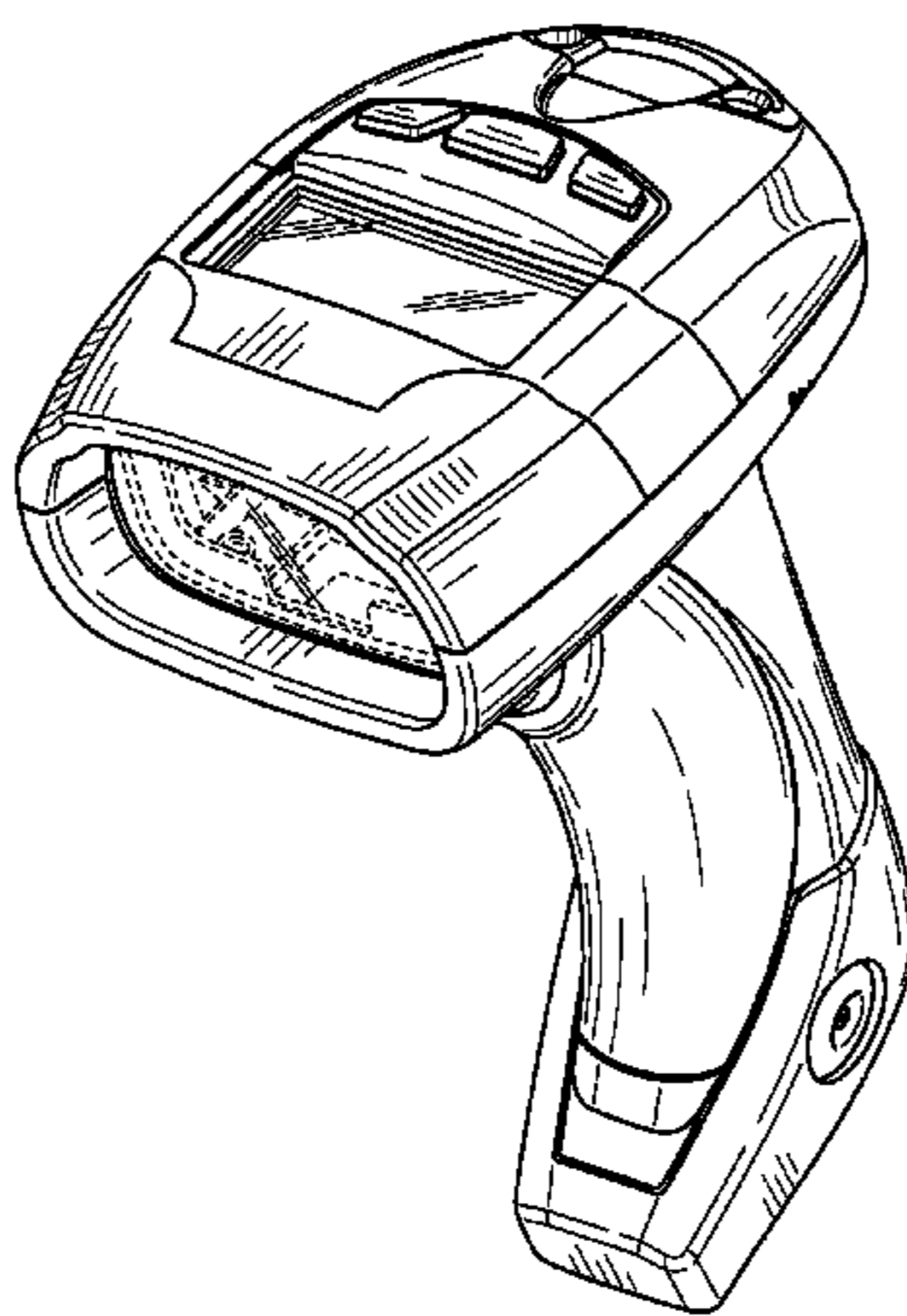
FIG. 6 is a rear view thereof;

FIG. 7 is a top view thereof; and,

FIG. 8 is a bottom view thereof.

The portions shown in broken line are not claimed.

1 Claim, 8 Drawing Sheets



US D588,596 S

Page 2

U.S. PATENT DOCUMENTS

6,330,973 B1 * 12/2001 Bridgelall et al. 235/462.45
6,352,204 B2 * 3/2002 Hattersley et al. 235/472.01
D459,728 S * 7/2002 Roberts et al. D14/428
6,412,698 B2 * 7/2002 Bontly 235/462.45
6,415,982 B2 * 7/2002 Bridgelall et al. 235/472.01
6,478,226 B2 11/2002 Canini et al.
D470,145 S 2/2003 Schlieffers et al.
6,517,003 B2 2/2003 Vassura et al.
6,595,422 B1 * 7/2003 Doljack 235/462.42
6,758,403 B1 * 7/2004 Keys et al. 235/462.45
6,824,061 B1 * 11/2004 Hattersley et al. 235/472.01
6,883,713 B2 * 4/2005 Schlieffers 235/472.01
6,959,865 B2 * 11/2005 Walczyk et al. 235/454
7,055,747 B2 * 6/2006 Havens et al. 235/462.22
7,090,132 B2 * 8/2006 Havens et al. 235/454
7,147,162 B2 12/2006 Fitch et al.

7,222,789 B2 * 5/2007 Longacre et al. 235/450
2001/0045466 A1 * 11/2001 Bontly 235/472.01
2002/0056755 A1 * 5/2002 Canini et al. 235/462.48
2002/0096566 A1 * 7/2002 Schwartz et al. 235/462.42
2002/0125323 A1 * 9/2002 Marrs et al. 235/462.45
2002/0148902 A1 * 10/2002 Schlieffers 235/472.01
2002/0171745 A1 * 11/2002 Ehrhart 348/231.3
2003/0080193 A1 * 5/2003 Ryan et al. 235/491
2004/0094627 A1 * 5/2004 Parker et al. 235/472.01
2005/0023358 A1 2/2005 Byun et al.
2005/0161511 A1 * 7/2005 Parker et al. 235/472.01
2005/0167504 A1 * 8/2005 Meier et al. 235/462.45

FOREIGN PATENT DOCUMENTS

EP 1128314 A1 8/2001

* cited by examiner

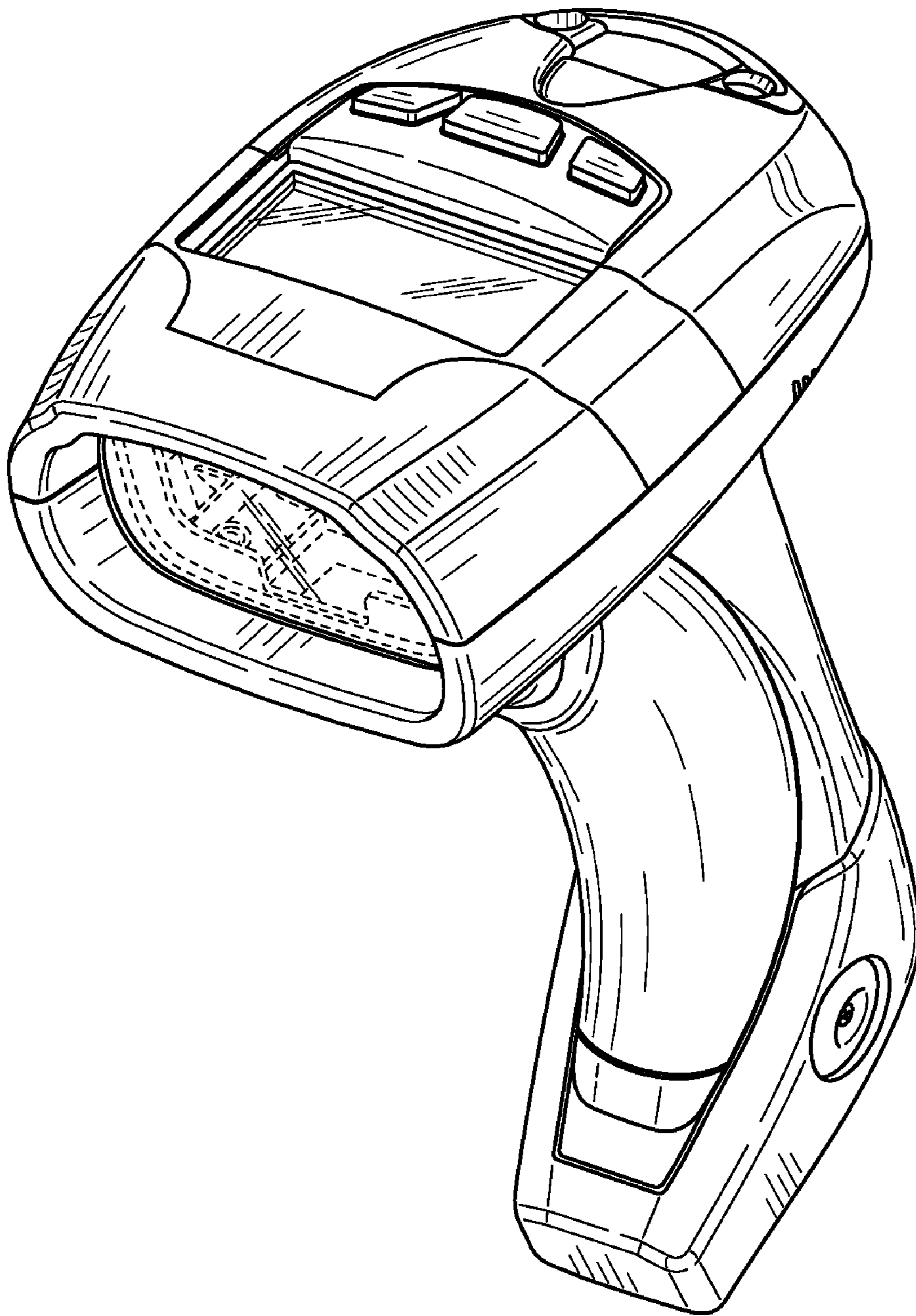


FIG. 1

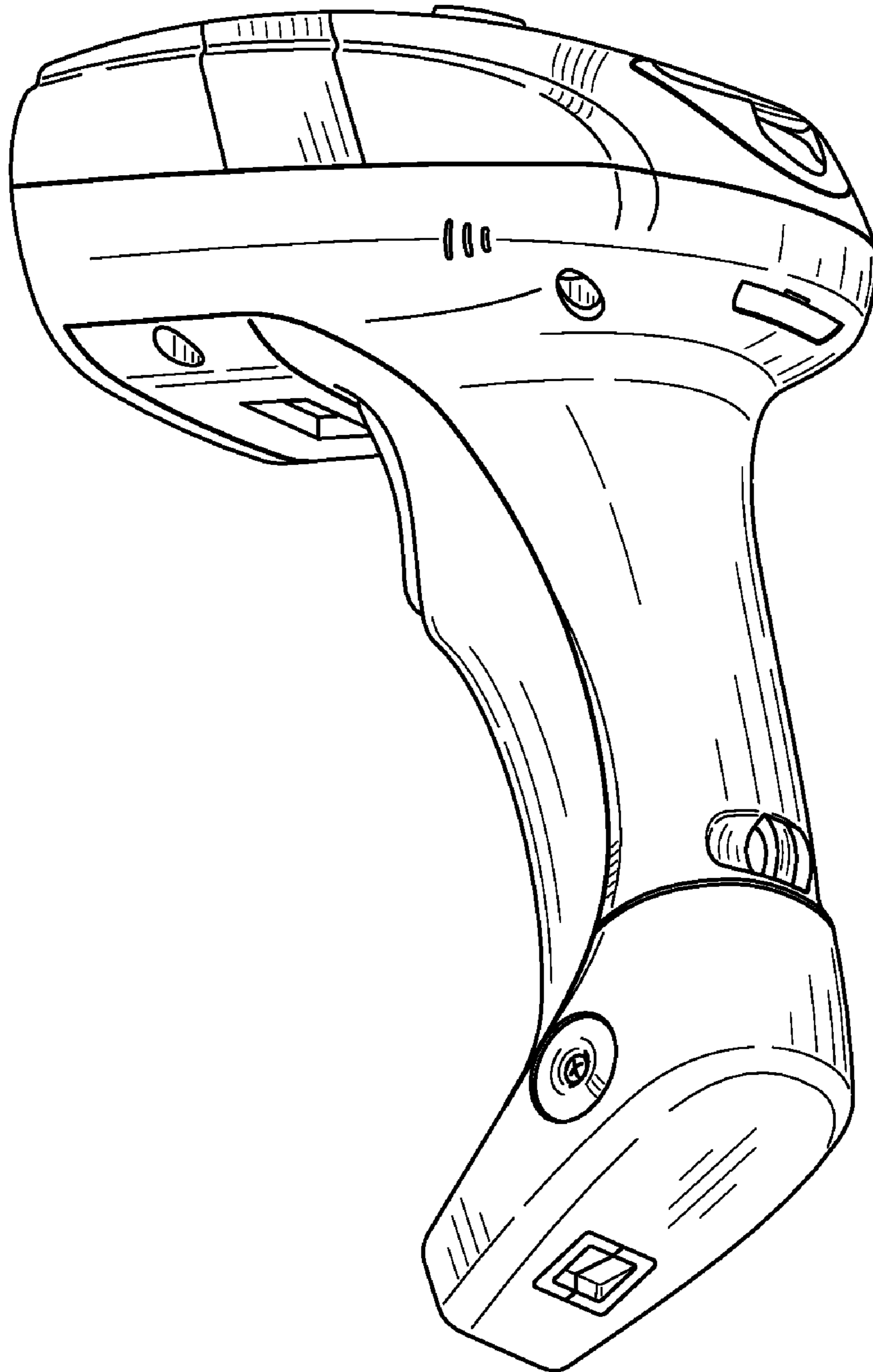


FIG. 2

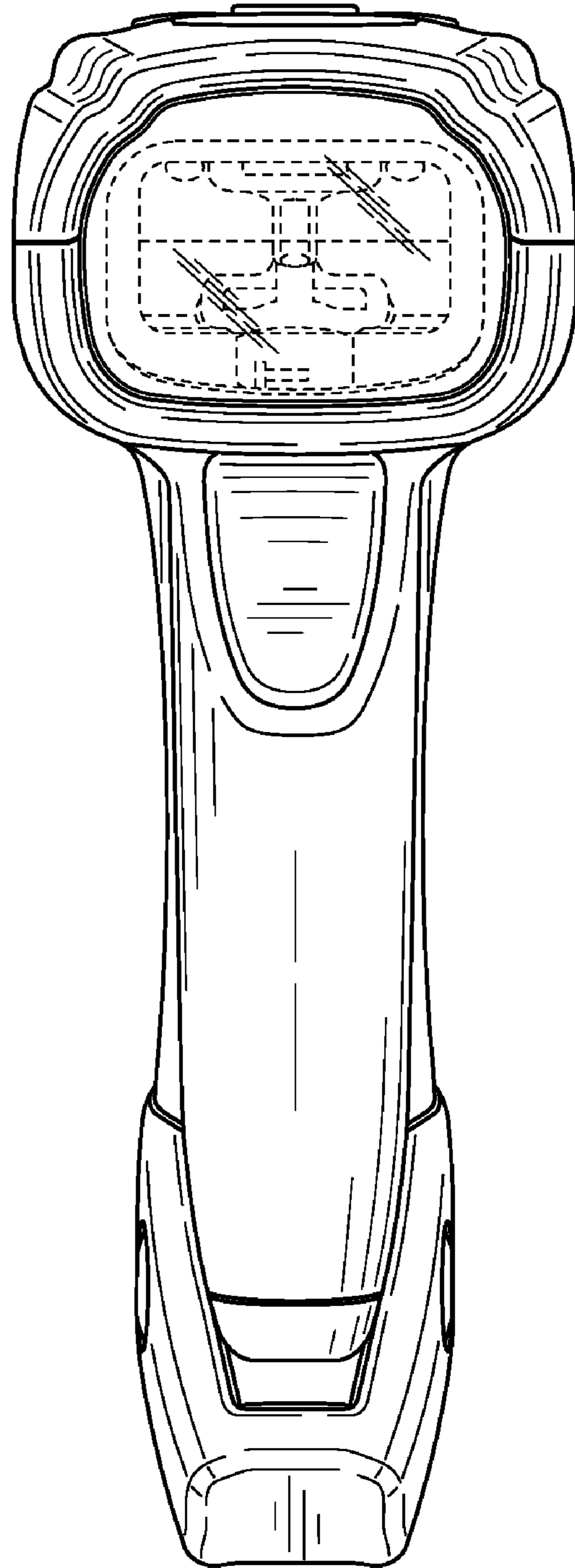


FIG. 3

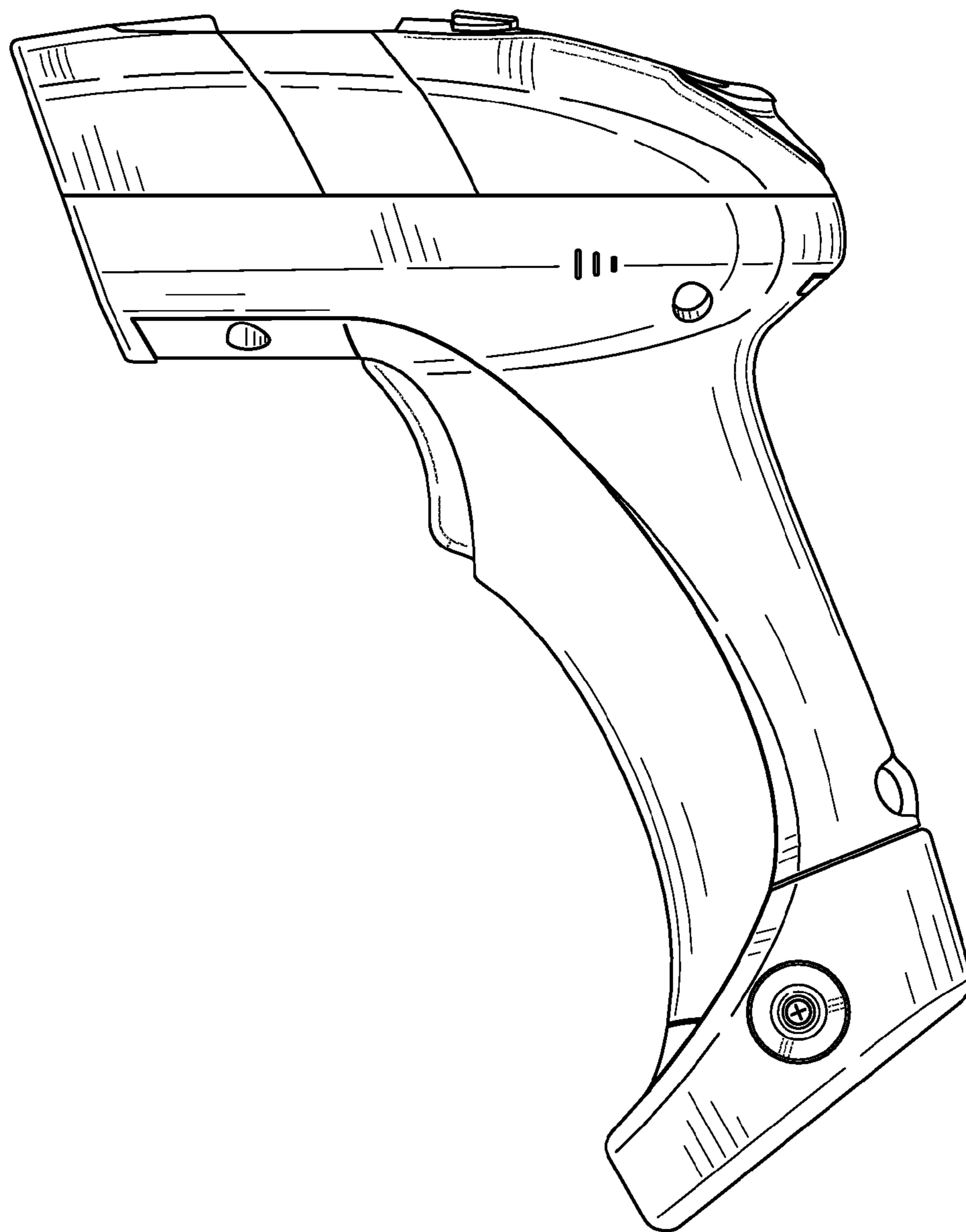


FIG. 4

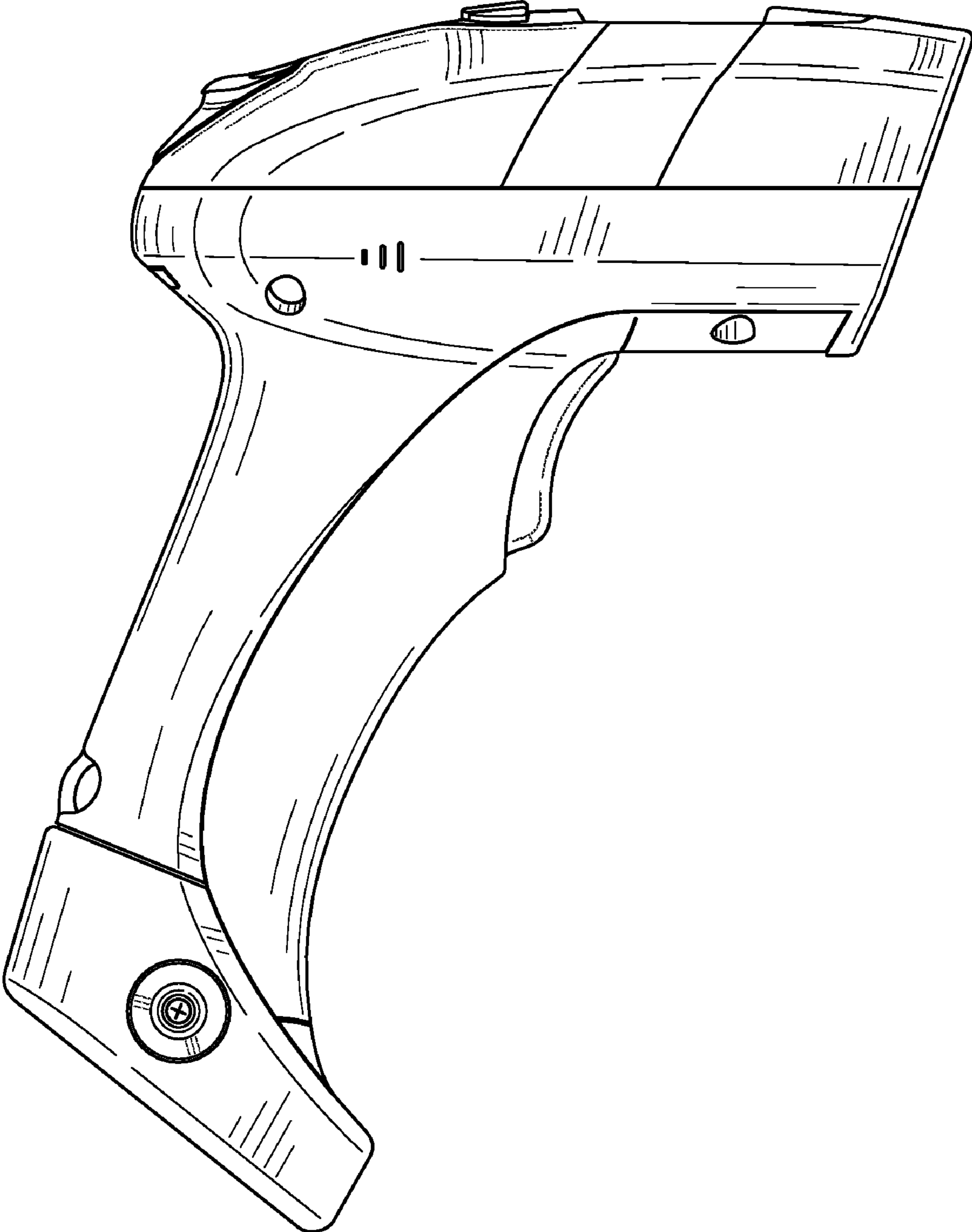


FIG. 5

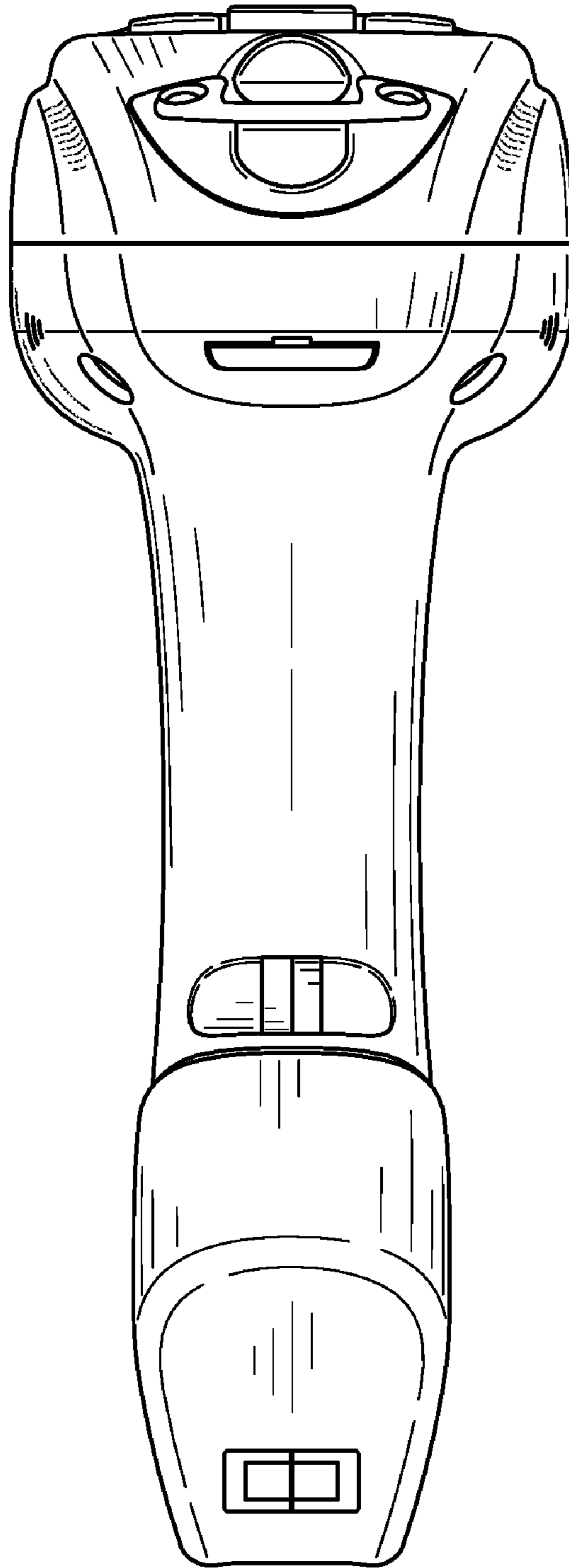


FIG. 6

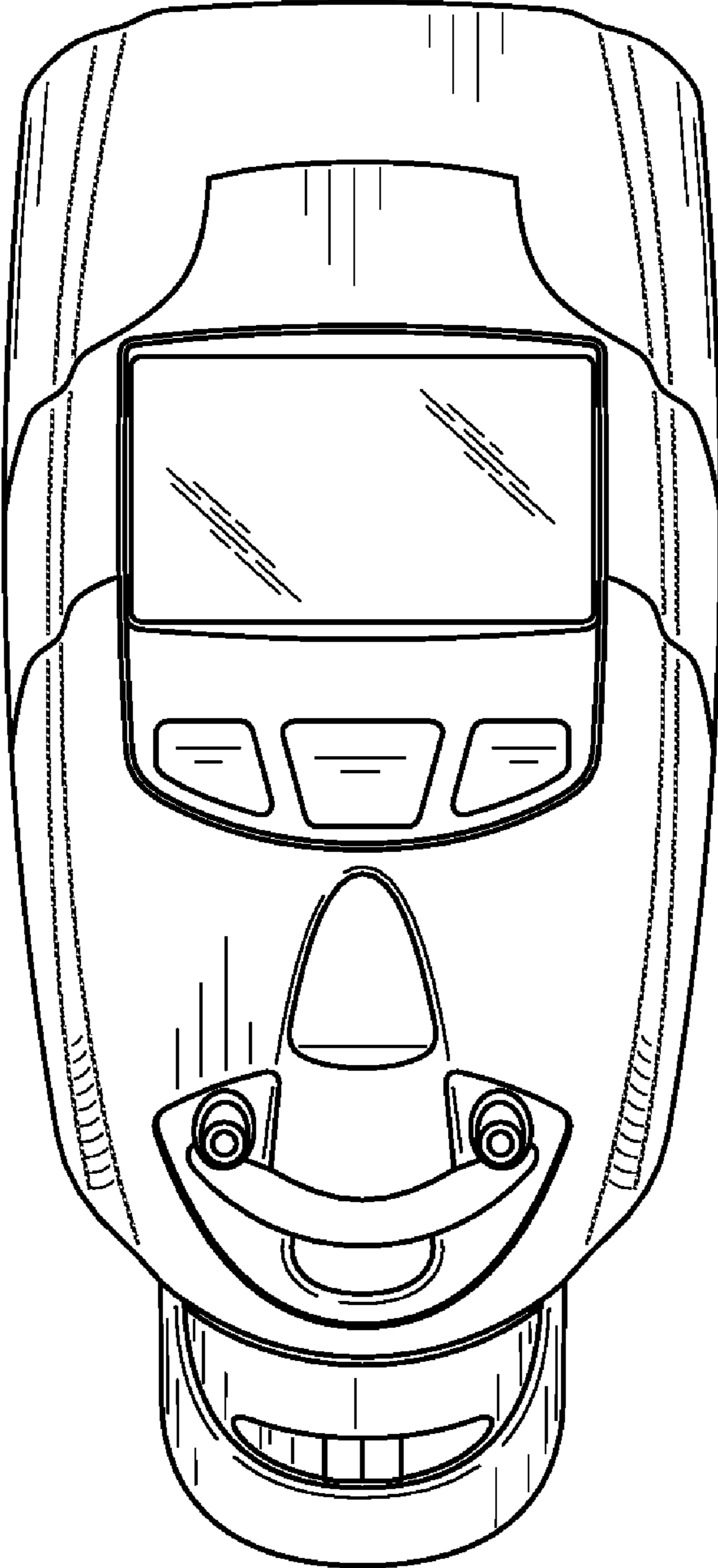


FIG. 7

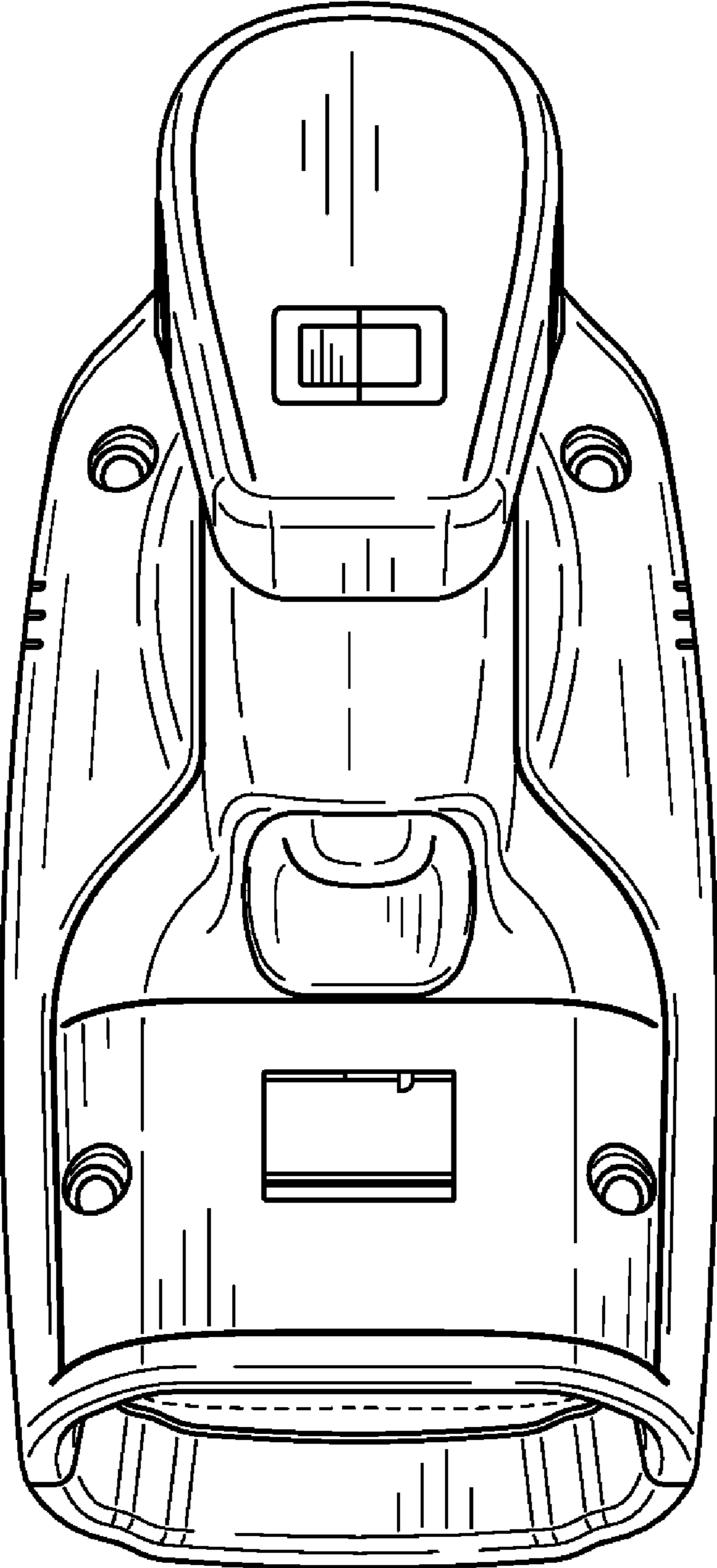


FIG. 8