



US00D588593S

(12) **United States Design Patent**  
**Hamaguchi et al.**

(10) **Patent No.:** **US D588,593 S**  
(45) **Date of Patent:** **\*\* Mar. 17, 2009**

(54) **COMPUTER**

D544,477 S \* 6/2007 Tsuzuki et al. .... D14/300  
D556,747 S \* 12/2007 Wang ..... D14/300

(75) Inventors: **Hiroyuki Hamaguchi**, Tokyo (JP);  
**Keisuke Nakayama**, Yamanashi (JP);  
**Tetsuya Nagata**, Tokyo (JP)

**FOREIGN PATENT DOCUMENTS**

(73) Assignee: **NEC Corporation**, Tokyo (JP)

|    |            |         |
|----|------------|---------|
| DE | 40407038.8 | 12/2004 |
| FR | 04 5679    | 5/2005  |
| FR | 04 5680    | 5/2005  |
| GB | 3019672    | 12/2004 |
| GB | 3019676    | 12/2004 |
| JP | 1239443    | 5/2005  |
| JP | 1239637    | 5/2005  |

(\*\*) Term: **14 Years**

\* cited by examiner

(21) Appl. No.: **29/303,994**

(22) Filed: **Feb. 22, 2008**

*Primary Examiner*—Freda S Nunn

(30) **Foreign Application Priority Data**

(74) *Attorney, Agent, or Firm*—Seyfarth Shaw LLP

Oct. 24, 2007 (JP) ..... 2007-029250

(57) **CLAIM**

(51) **LOC (9) Cl.** ..... **14-02**

The ornamental design for the computer, as shown and described.

(52) **U.S. Cl.** ..... **D14/300; D14/349**

(58) **Field of Classification Search** ..... D14/300–302,  
D14/308–314, 348–369; D13/162, 184,  
D13/199; 312/223.1–223.3; 360/99.01–99.12;  
361/680–686, 690–696; 369/34.01, 36.01  
See application file for complete search history.

**DESCRIPTION**

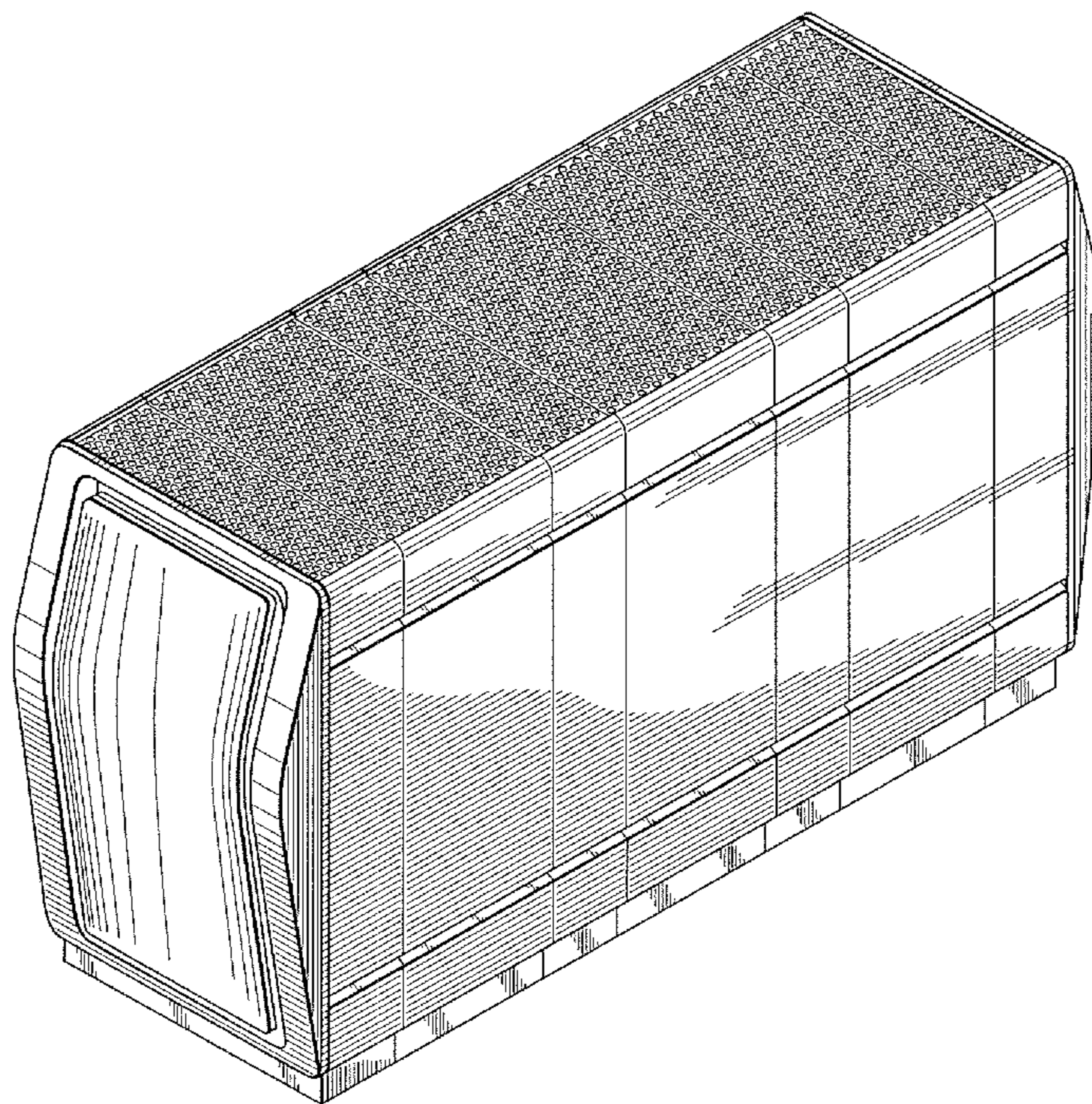
(56) **References Cited**

**U.S. PATENT DOCUMENTS**

|           |      |         |                |         |
|-----------|------|---------|----------------|---------|
| 6,407,910 | B1 * | 6/2002  | Diaz et al.    | 361/683 |
| 6,549,397 | B1 * | 4/2003  | Diaz et al.    | 361/683 |
| D477,315  | S *  | 7/2003  | Lee            | D14/301 |
| D484,500  | S *  | 12/2003 | Matsuoka       | D14/310 |
| D495,696  | S *  | 9/2004  | Peng et al.    | D14/349 |
| D511,159  | S *  | 11/2005 | Su et al.      | D14/300 |
| D519,996  | S    | 5/2006  | Tsuzuki et al. |         |
| D523,427  | S    | 6/2006  | Tsuzuki et al. |         |

FIG. 1 is a perspective view of the computer showing our new design;  
FIG. 2 is a front elevational view thereof;  
FIG. 3 is a rear elevational view thereof;  
FIG. 4 is a left-side elevational view of thereof;  
FIG. 5 is a right-side elevational view thereof;  
FIG. 6 is a top plan view thereof;  
FIG. 7 is a bottom plan view thereof; and,  
FIG. 8 is a cross sectional view thereof taken along the line 8—8 of FIG. 2.

**1 Claim, 8 Drawing Sheets**





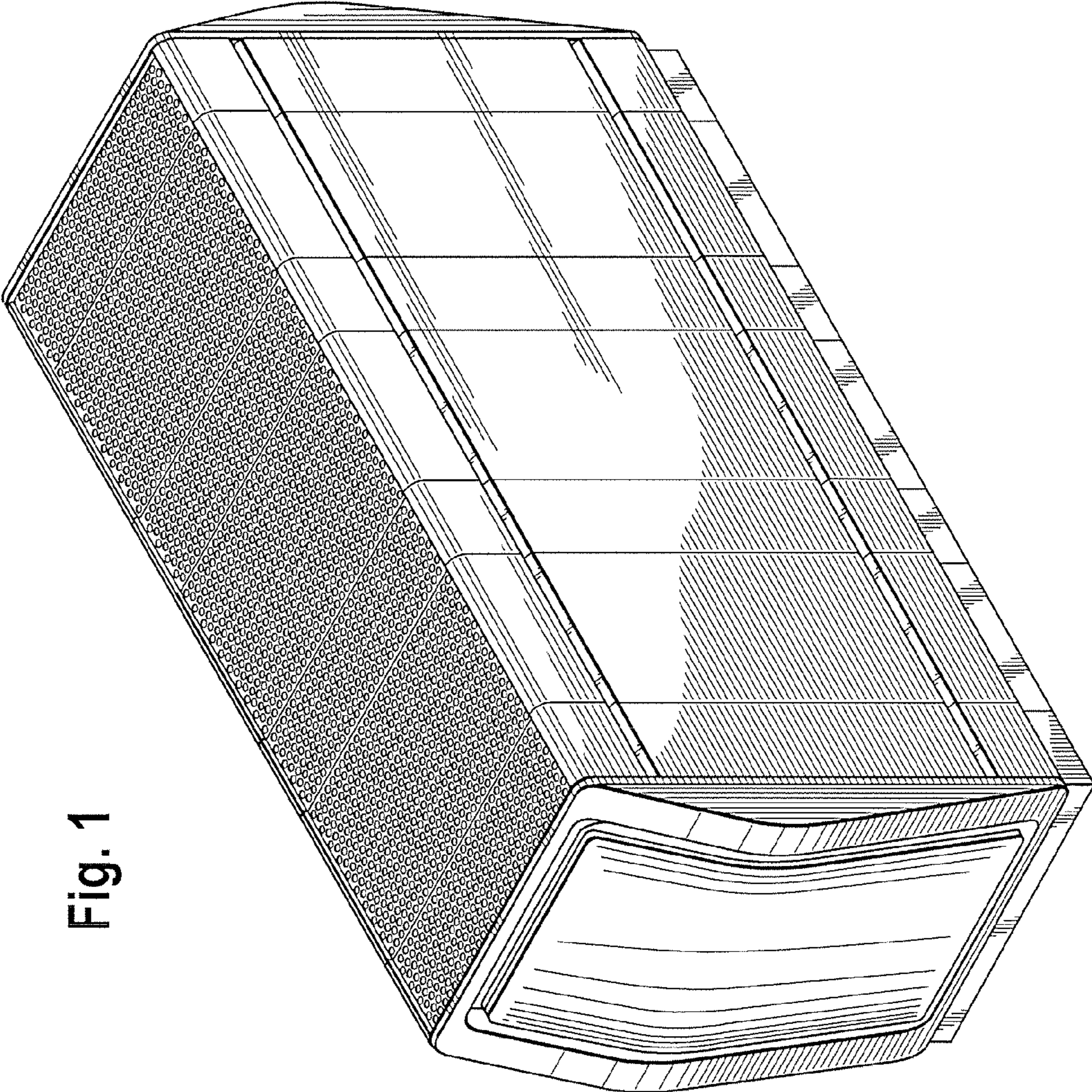


Fig. 1

Fig. 2

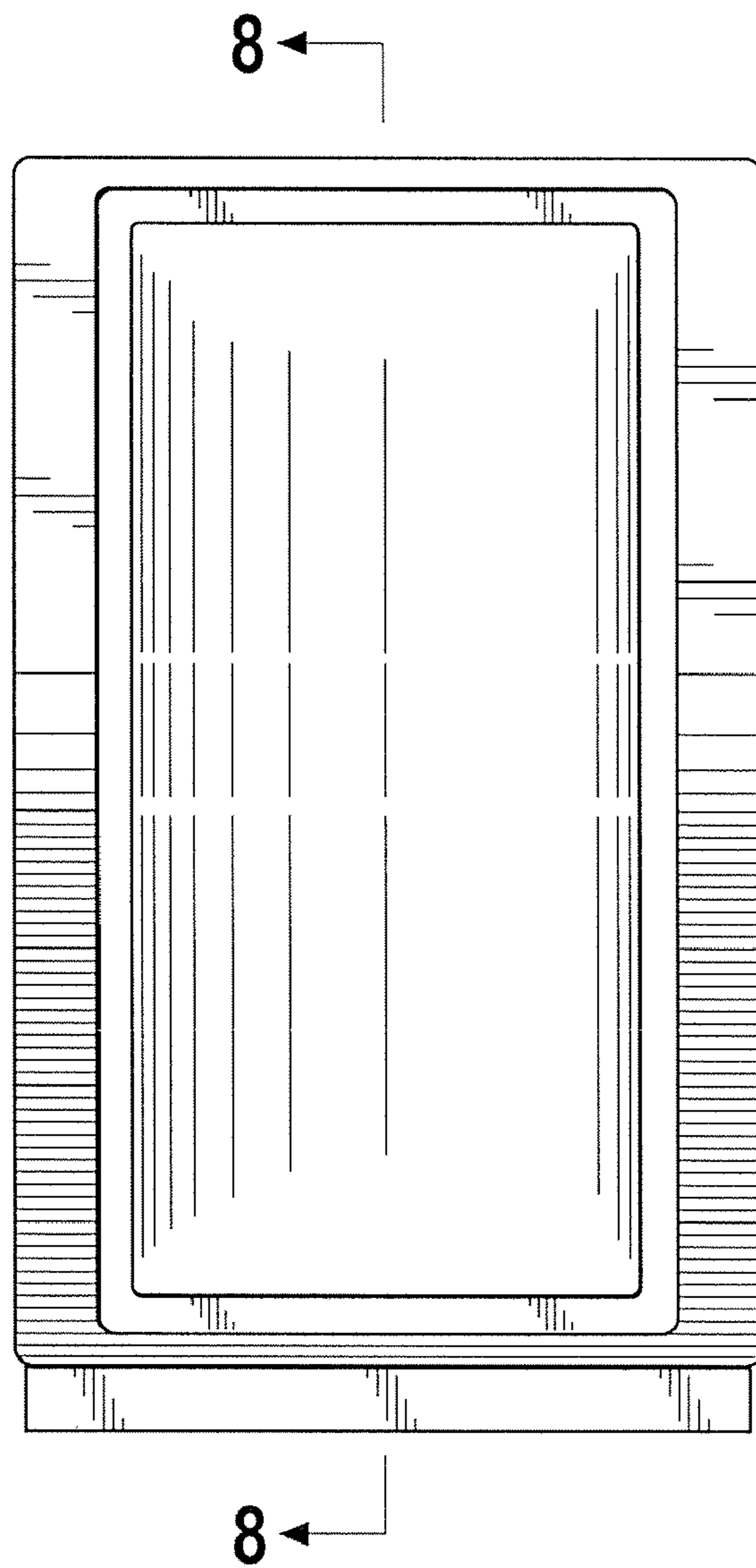


Fig. 3

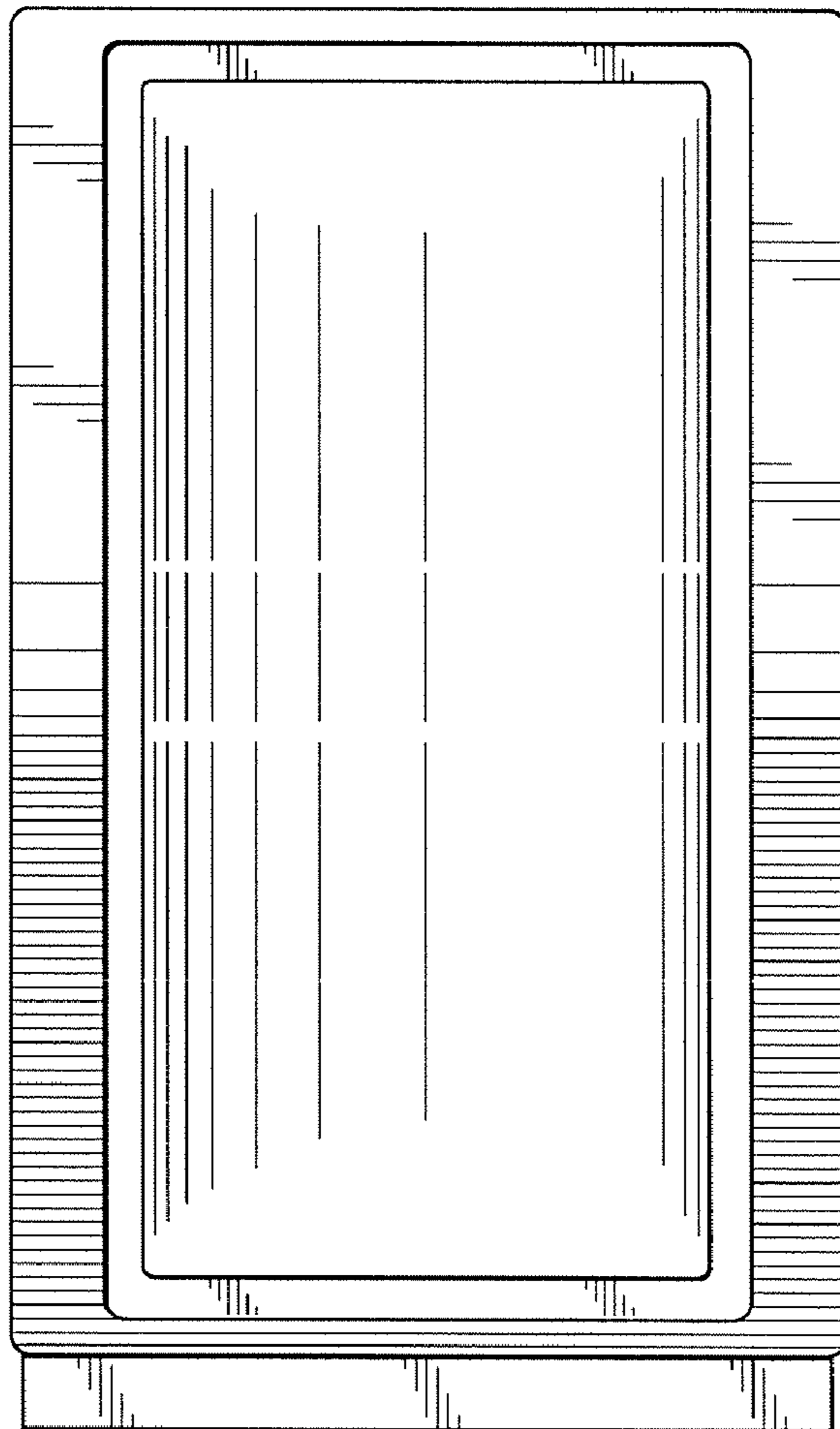




Fig. 4

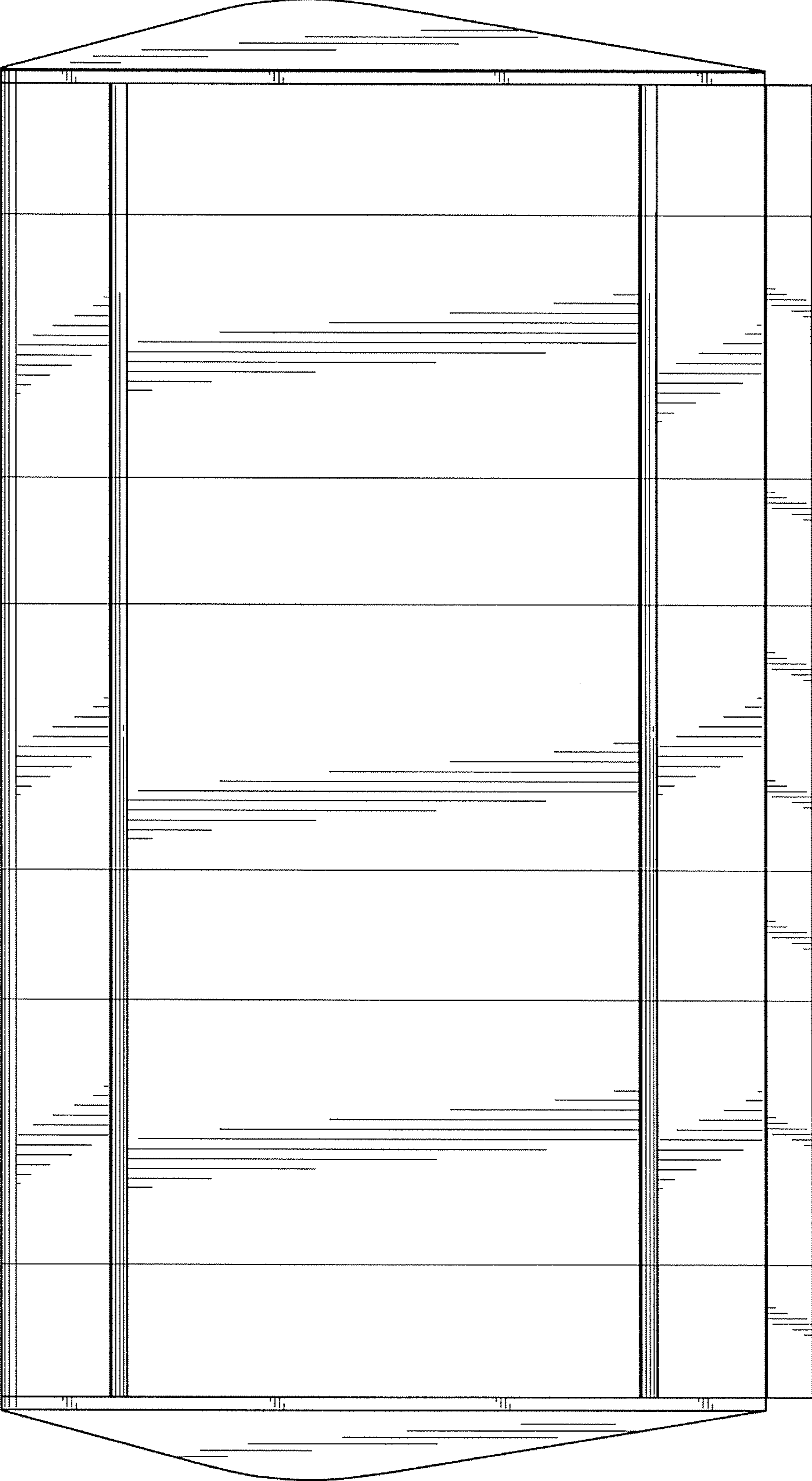


Fig. 5

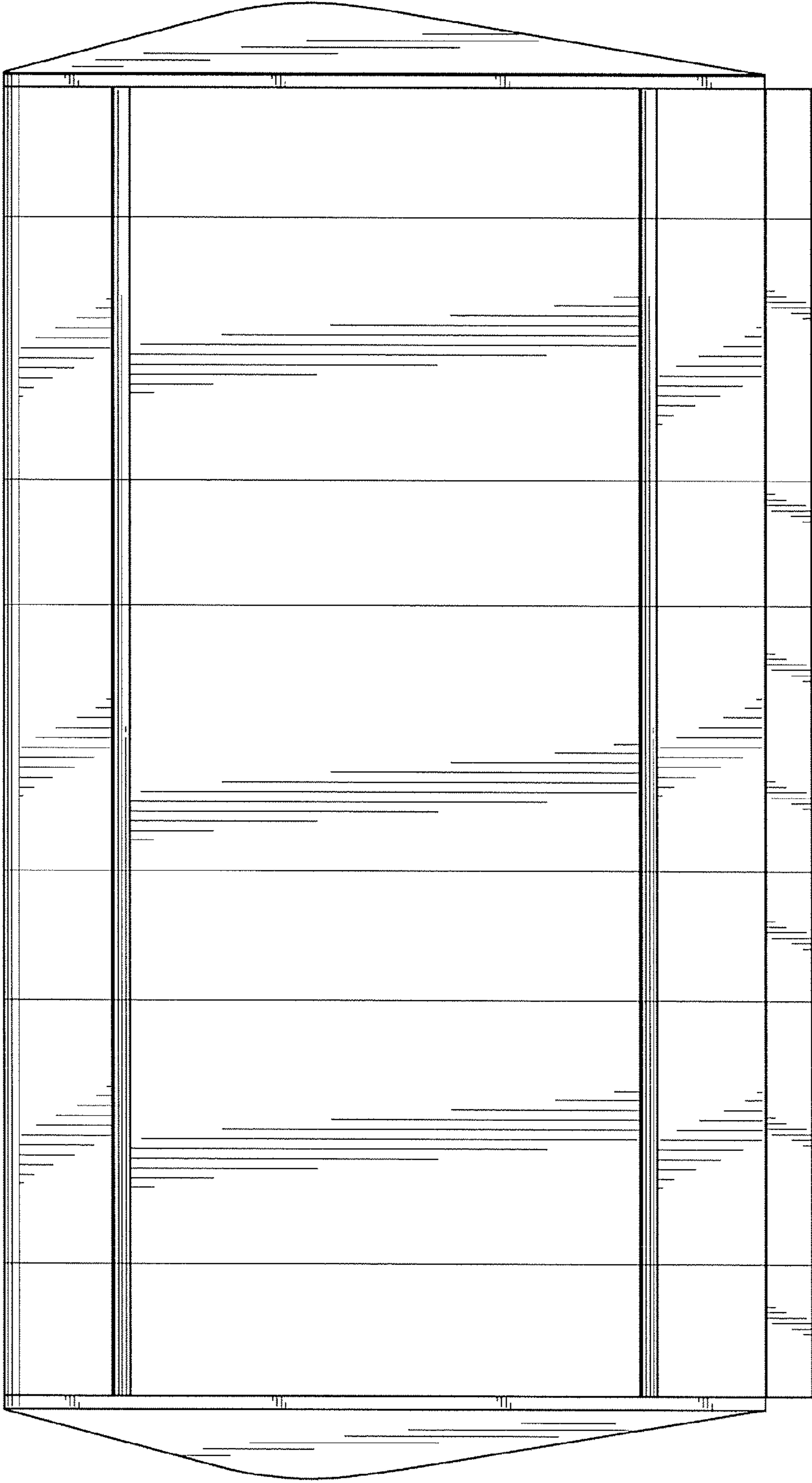


Fig. 6

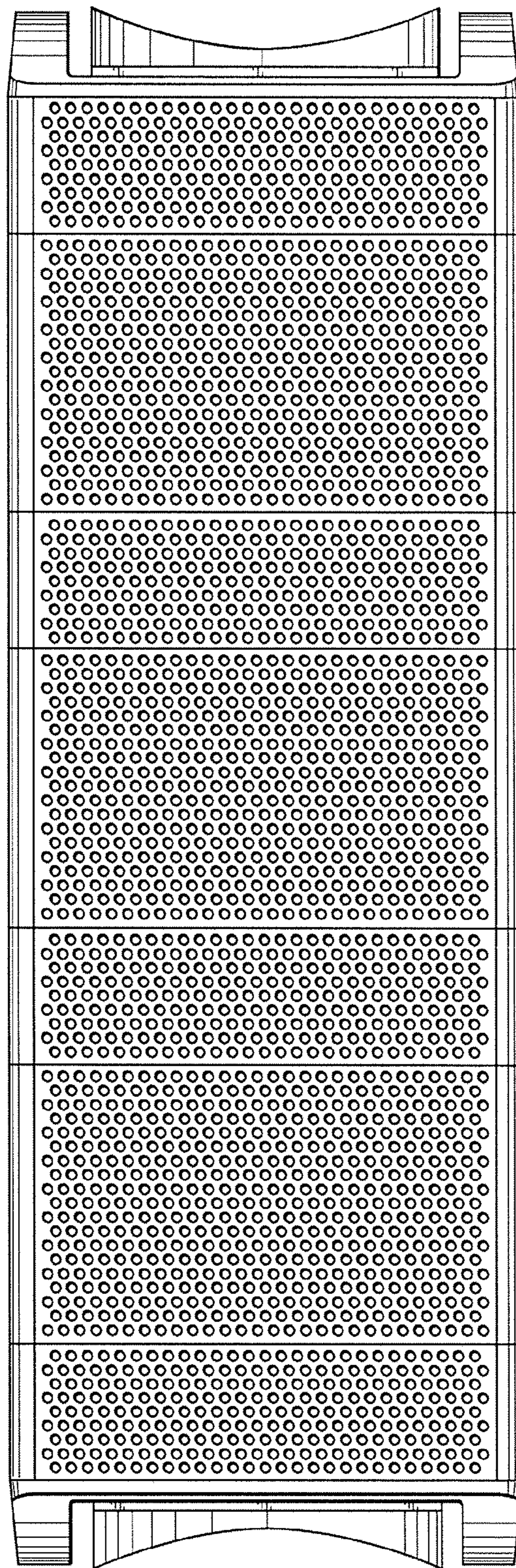




Fig. 7

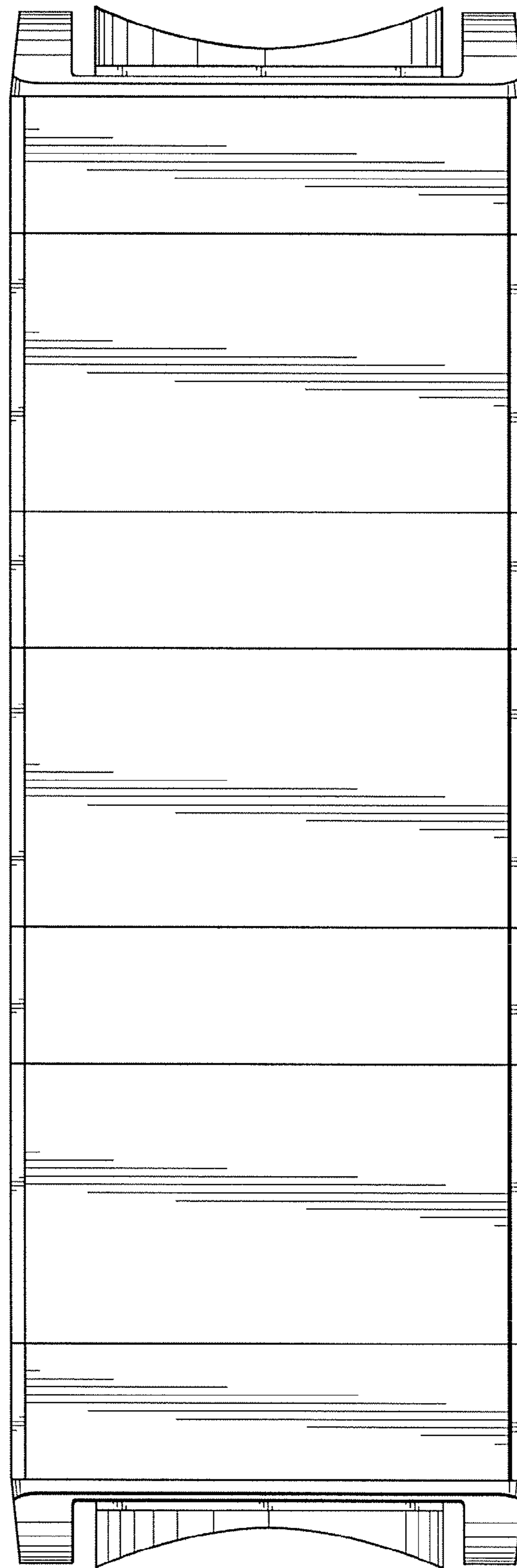




Fig. 8

