



US00D588590S

(12) **United States Design Patent**
Tompkin

(10) **Patent No.:** **US D588,590 S**
(45) **Date of Patent:** **** Mar. 17, 2009**

(54) **SET OF BUTTONS FOR A HANDSET**

(75) Inventor: **Crispian Tompkin**, Los Angeles, CA
(US)

(73) Assignee: **Nokia Corporation**, Espoo (FI)

(**) Term: **14 Years**

(21) Appl. No.: **29/305,514**

(22) Filed: **Mar. 21, 2008**

(51) **LOC (9) Cl.** **14-03**

(52) **U.S. Cl.** **D14/247**

(58) **Field of Classification Search** D14/137,
D14/138 R, 138 AA, 138 AB, 138 AC, 138 AD,
D14/138 C, 138 G, 147, 191, 218, 247-248,
D14/341-347, 455, 496; D10/65, 78, 104;
D13/168; D18/7; 455/556.1, 566, 575.1,
455/575.3; 345/169

See application file for complete search history.

(56) **References Cited**

U.S. PATENT DOCUMENTS

- D388,431 S * 12/1997 Takayasu et al. D14/138 AA
- D401,177 S * 11/1998 Cambell D10/104
- 6,034,685 A * 3/2000 Kuriyama et al. 715/784
- D434,409 S * 11/2000 Clapper D14/218
- D438,184 S * 2/2001 Suzuki et al. D14/138 AB
- D446,509 S * 8/2001 Chiu D14/138 AA
- D452,520 S * 12/2001 Gotham et al. D16/235
- D454,550 S * 3/2002 Hayasaka et al. D14/138 AB
- D459,712 S * 7/2002 Langford D14/138 AA
- D460,079 S * 7/2002 Brunner et al. D14/455
- D460,430 S * 7/2002 Wada et al. D14/138 R
- D464,032 S * 10/2002 Hayasaka et al. D14/138 AB
- D466,488 S * 12/2002 Wada et al. D14/138 R
- D468,713 S * 1/2003 Lee et al. D14/138 AB
- D511,507 S * 11/2005 Chintala et al. D14/138 AA
- 6,965,373 B1 * 11/2005 Clapper 345/169
- D531,607 S * 11/2006 Kim et al. D14/138 AD
- 7,199,787 B2 * 4/2007 Lee et al. 345/169
- D544,473 S * 6/2007 Kolinen et al. D14/247
- D563,366 S * 3/2008 Joo D14/138 AD
- 7,348,512 B2 * 3/2008 Iohara 200/341

- 2002/0167696 A1 * 11/2002 Edwards et al. 359/142
- 2004/0180690 A1 * 9/2004 Song et al. 455/556.1
- 2005/0041017 A1 * 2/2005 de Brebisson 345/169
- 2007/0159466 A1 * 7/2007 Kawell et al. 345/169

FOREIGN PATENT DOCUMENTS

- WO DM/056602 * 8/2000
- WO DM/055149 * 2/2001
- WO DM/055687 * 4/2001

OTHER PUBLICATIONS

LG KS360, announced Jul. 2008, [online], [retrieved on Jul. 25, 2008]. Retrieved from Internet ,<URL: http://www.gsmarena.com>.*

Sagem MY G5, announced 2002, [online], [retrieved on Oct. 17, 2008]. Retrieved from Internet ,<URL: http://www.gsmarena.com>.*

Nokia Model #N78, Nokia Corporation, 1 color sheet of photographs, disclosed on or about Feb. 2008.

* cited by examiner

Primary Examiner—Jeffrey D Asch

Assistant Examiner—Bridget L Eland

(74) *Attorney, Agent, or Firm*—Banner & Witcoff, Ltd.

(57) **CLAIM**

The ornamental design for a set of buttons for a handset, as shown and described.

DESCRIPTION

FIG. 1 is a front perspective view of a set of buttons for a handset showing my new design;

FIG. 2 is a front view thereof;

FIG. 3 is a right side view thereof;

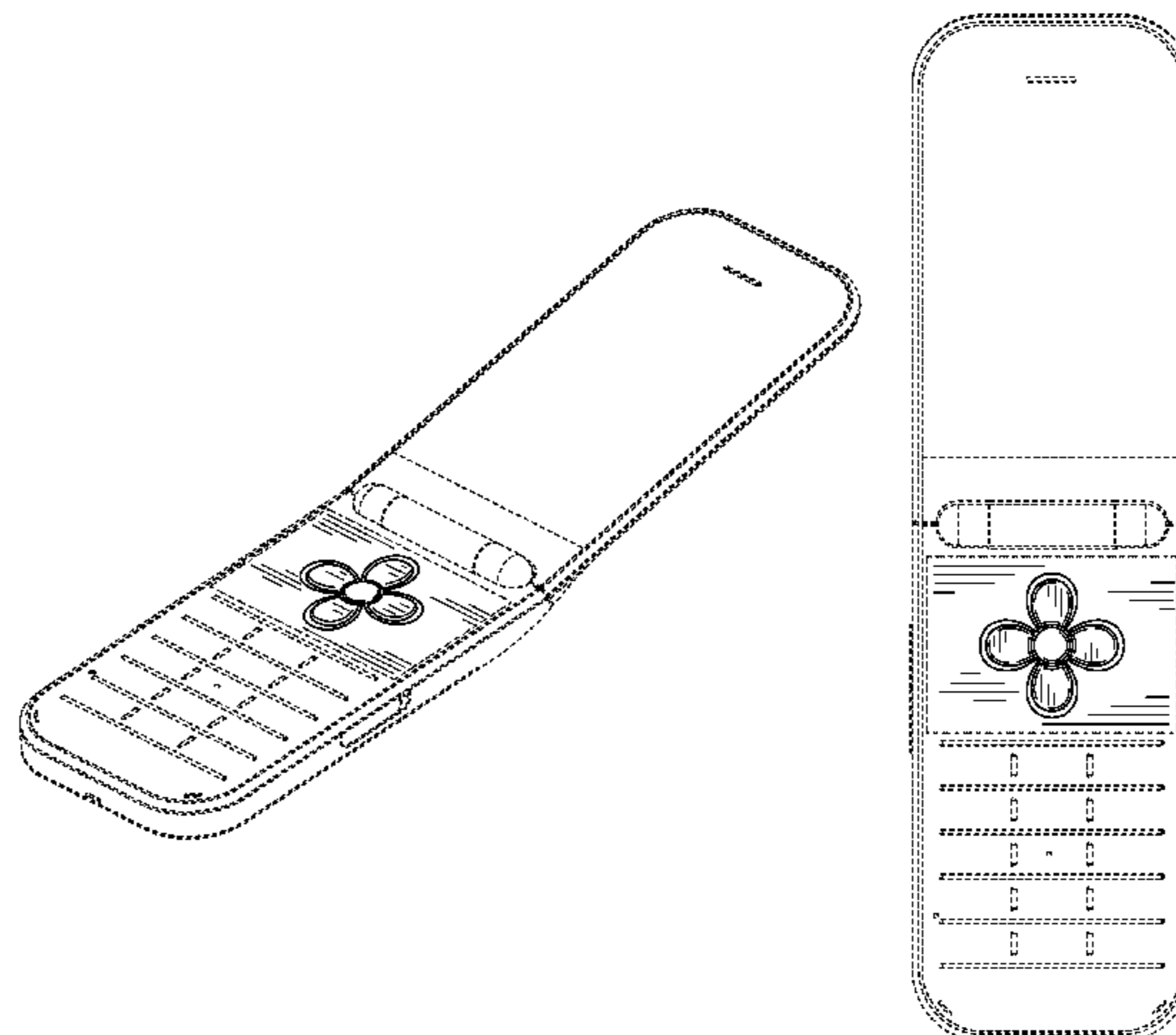
FIG. 4 is a left side view thereof;

FIG. 5 is a top view thereof; and,

FIG. 6 is a bottom view thereof.

The broken line showing the remainder of the handset is for illustrative purposes only and forms no part of the claimed design. The broken line immediately adjacent to the shaded region represents the bounds of the claimed design.

1 Claim, 4 Drawing Sheets



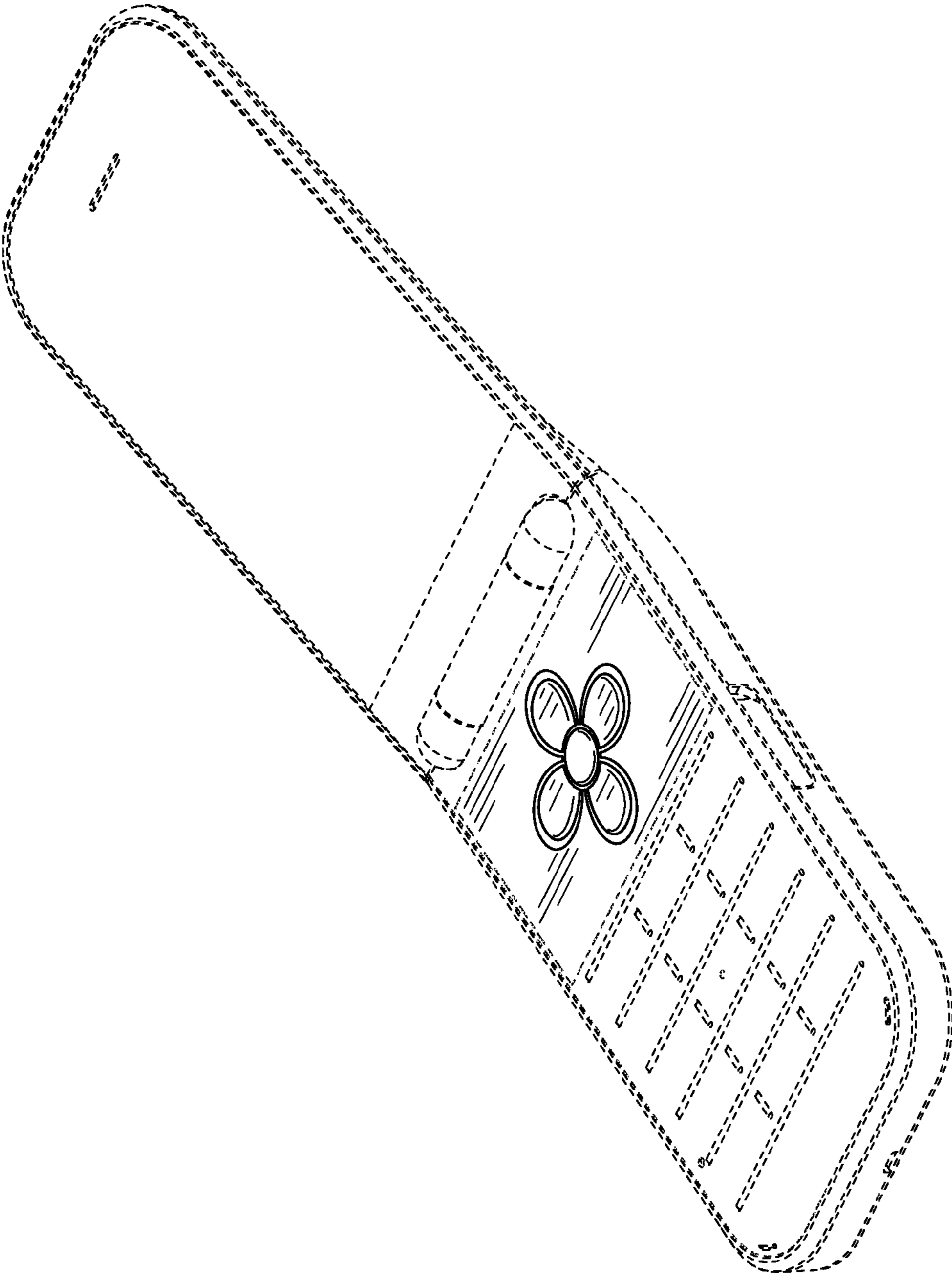


FIG. 1

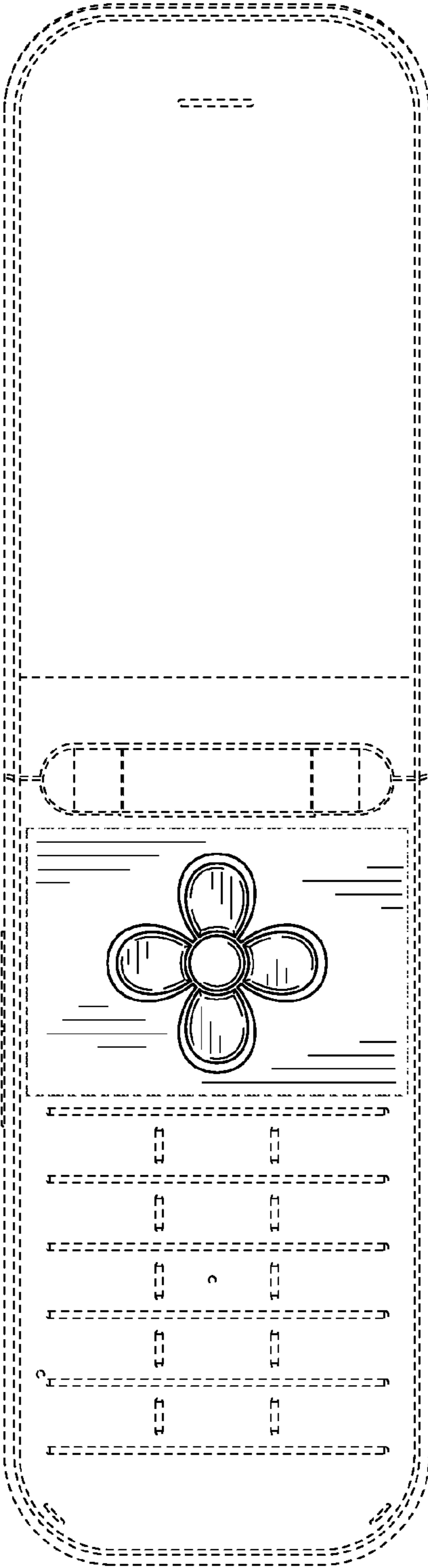


FIG. 2



FIG. 3

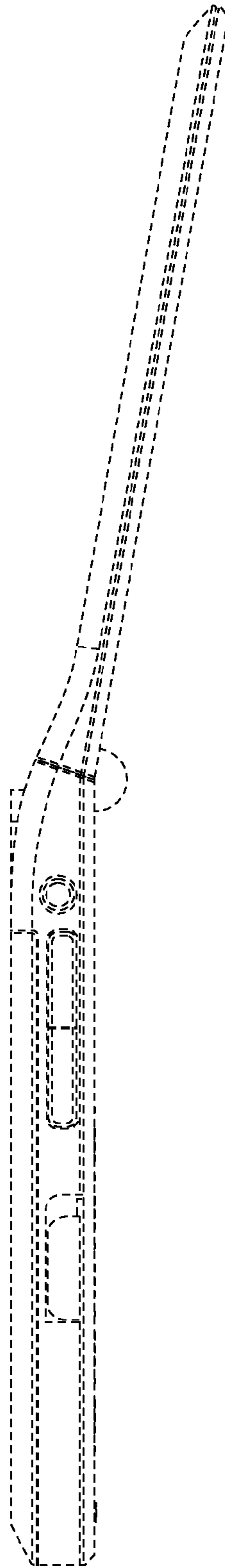


FIG. 4

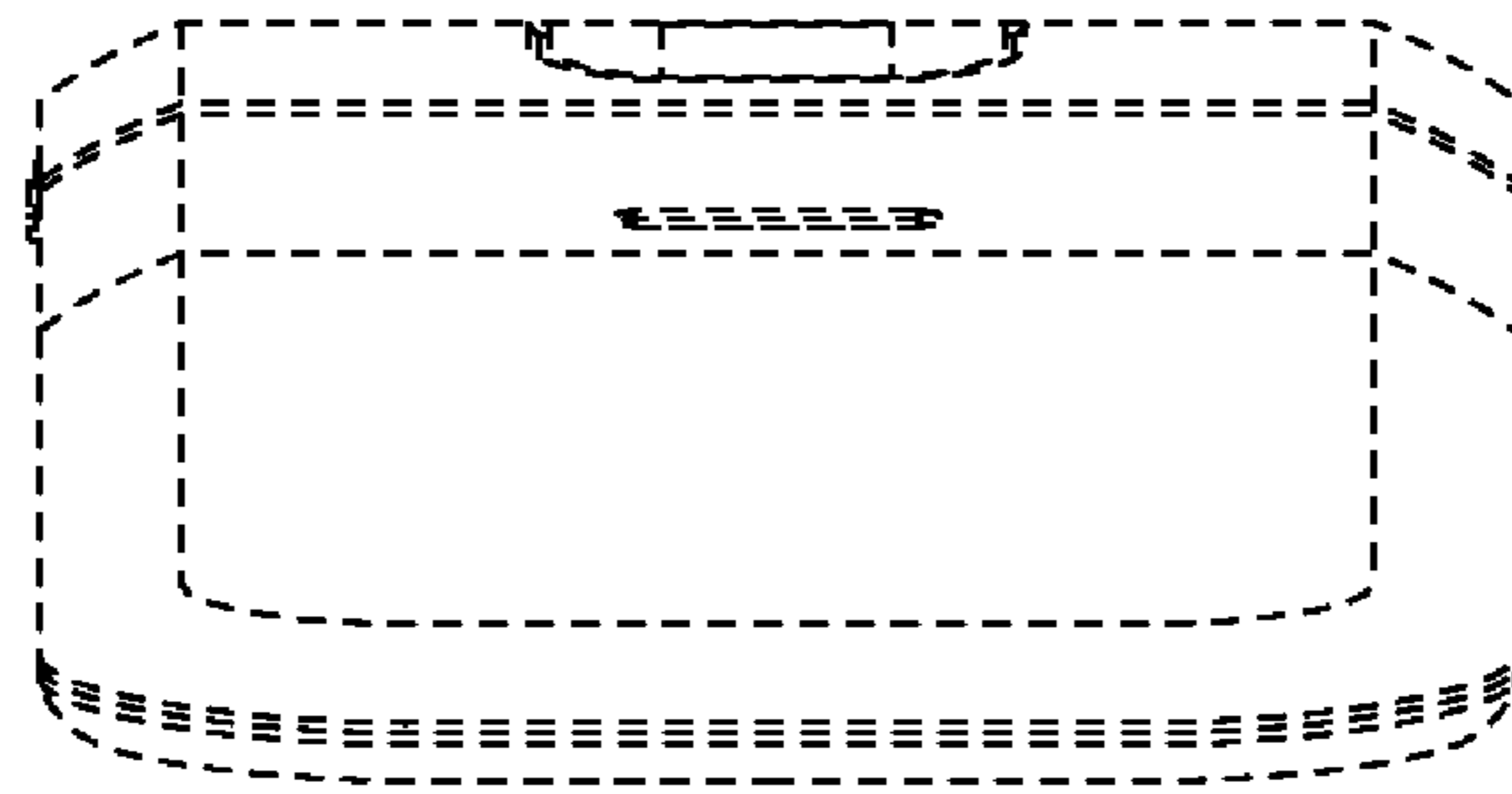


FIG. 5

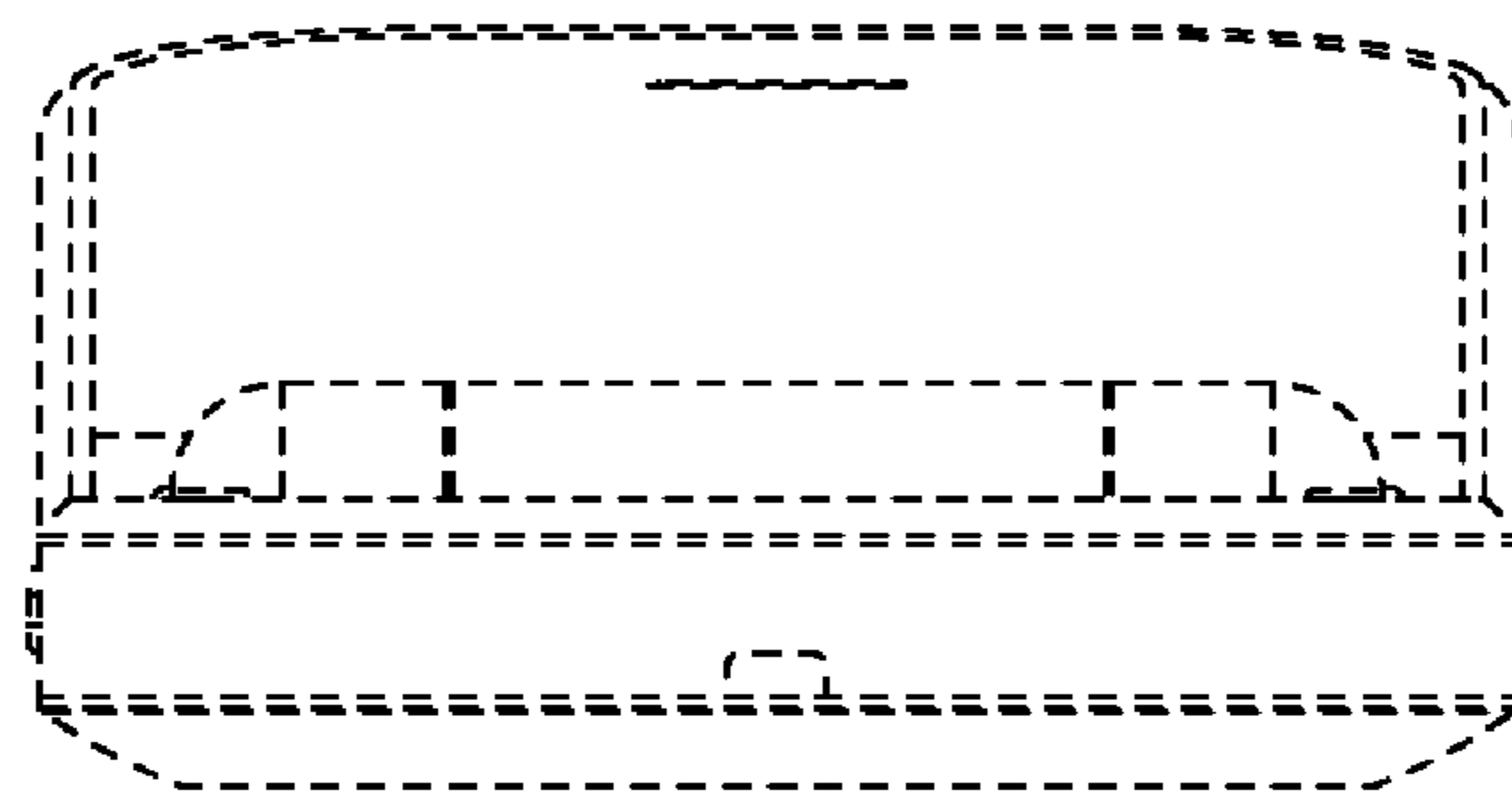


FIG. 6