



US00D588584S

(12) **United States Design Patent**
Park et al.

(10) **Patent No.:** **US D588,584 S**
(45) **Date of Patent:** **** Mar. 17, 2009**

(54) **MICROPHONE WITH CLIP**
(75) Inventors: **Hyoung Shin Park**, Seoul (KR);
Chang-Soo Lee, Incheon (KR);
Sang-Min Hyun, Seoul (KR)
(73) Assignee: **Samsung Electronics Co., Ltd.**,
Suwon-Si (KR)

6,233,167 B1 * 5/2001 Chen et al. 363/146
6,333,984 B1 * 12/2001 Yang 381/364
6,526,142 B1 * 2/2003 Fan 379/420.04
6,771,790 B2 * 8/2004 Liu 381/385
D532,776 S * 11/2006 Griffin D14/218
7,181,035 B2 * 2/2007 van Halteren et al. 381/322
D558,735 S * 1/2008 Carr et al. D14/206
D569,841 S * 5/2008 Chung et al. D14/205

* cited by examiner

Primary Examiner—Paula A Greene

(74) *Attorney, Agent, or Firm*—Staas & Halsey LLP

(**) Term: **14 Years**
(21) Appl. No.: **29/287,243**
(22) Filed: **Jul. 13, 2007**

(57) **CLAIM**

The ornamental design for a microphone with clip, as shown and described.

(30) **Foreign Application Priority Data**
Jan. 17, 2007 (KR) 30-2007-0002341

DESCRIPTION

(51) **LOC (9) Cl.** **14-01**
(52) **U.S. Cl.** **D14/226**
(58) **Field of Classification Search** D14/225,
D14/226, 228, 229, 205, 206, 223, 167, 168,
D14/188, 192, 218; 381/322, 338, 364, 375,
381/380, 381; 379/420.01, 420.02, 420.03,
379/420.04, 430; 181/129–130; 455/90.2,
455/90.3, 91, 95, 125, 575.1; D24/174; 128/866;
24/115 G, 332; D13/110, 184; 363/146;
439/339

FIG. 1 is a perspective view of a microphone with clip;
FIG. 2 is a front view of the microphone with clip of FIG. 1;
FIG. 3 is a rear view of the microphone with clip of FIG. 1;
FIG. 4 is a left-side view of the microphone with clip of FIG. 1;
FIG. 5 is a right-side view of the microphone with clip of FIG. 1;
FIG. 6 is a top plan view of the microphone with clip of FIG. 1;
FIG. 7 is a bottom plan view of the microphone with clip of FIG. 1; and,
FIG. 8 is a perspective view of the microphone with clip of FIG. 1, displaying the use.

See application file for complete search history.

The broken lines are included for the purpose of illustration and form no part of the claimed design.

(56) **References Cited**

U.S. PATENT DOCUMENTS

3,604,069 A * 9/1971 Jensen 24/332
3,821,647 A * 6/1974 Minasian 455/269
D314,964 S * 2/1991 Chung D14/192
D316,550 S * 4/1991 Sogabe D14/168
D371,133 S * 6/1996 Andrea D14/206

1 Claim, 5 Drawing Sheets

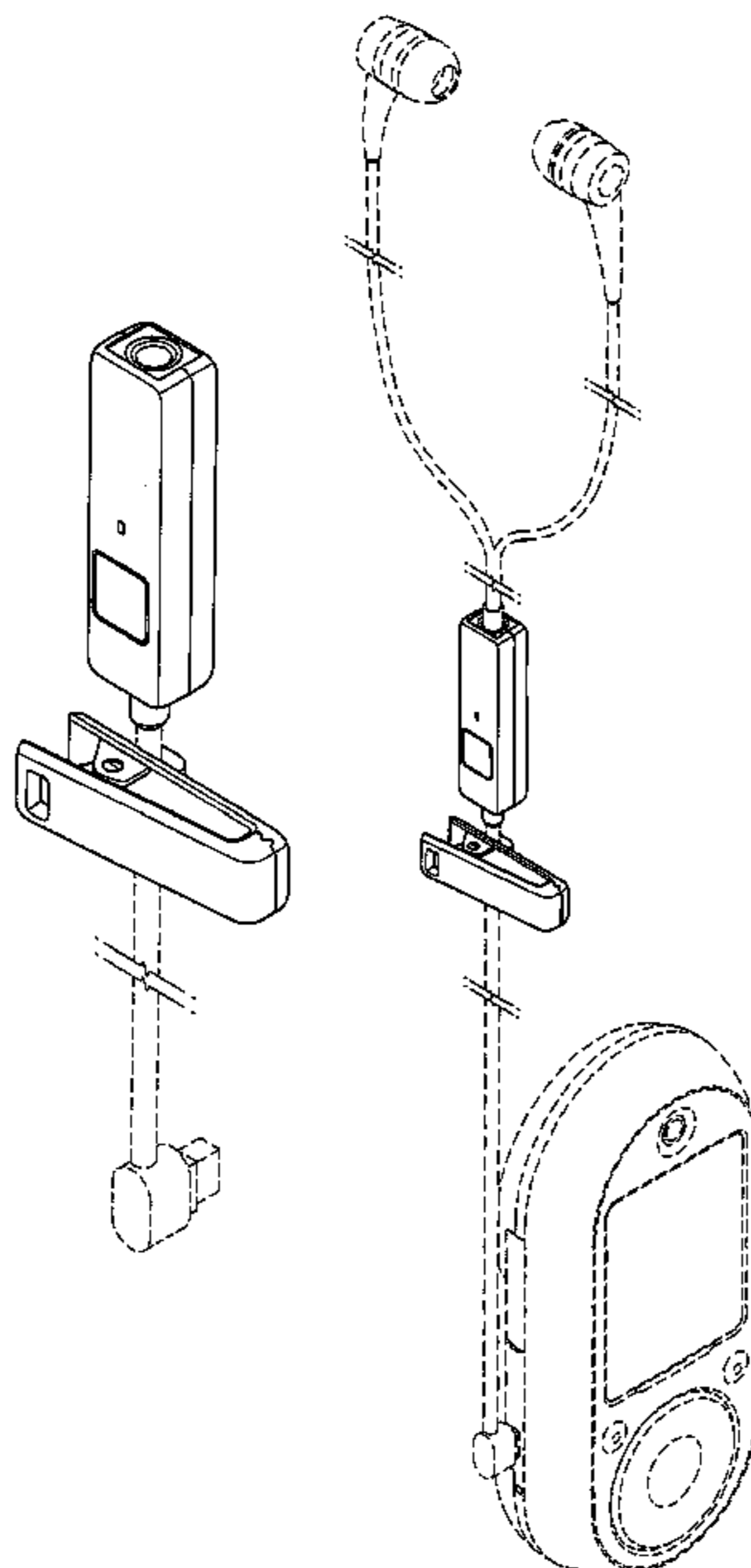


FIG. 1

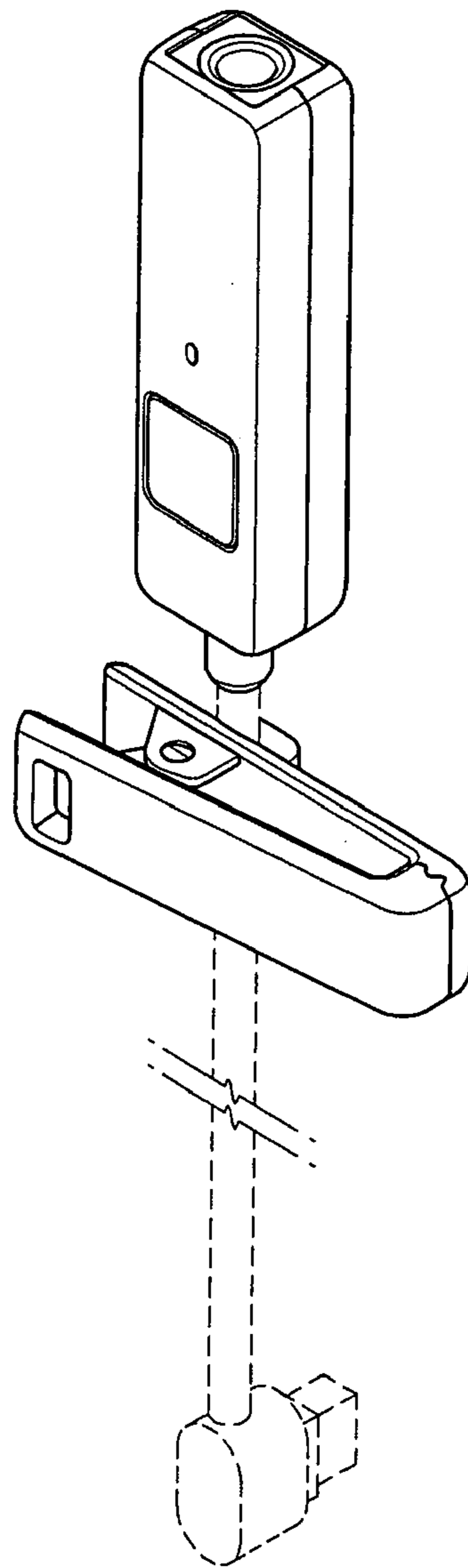


FIG. 2

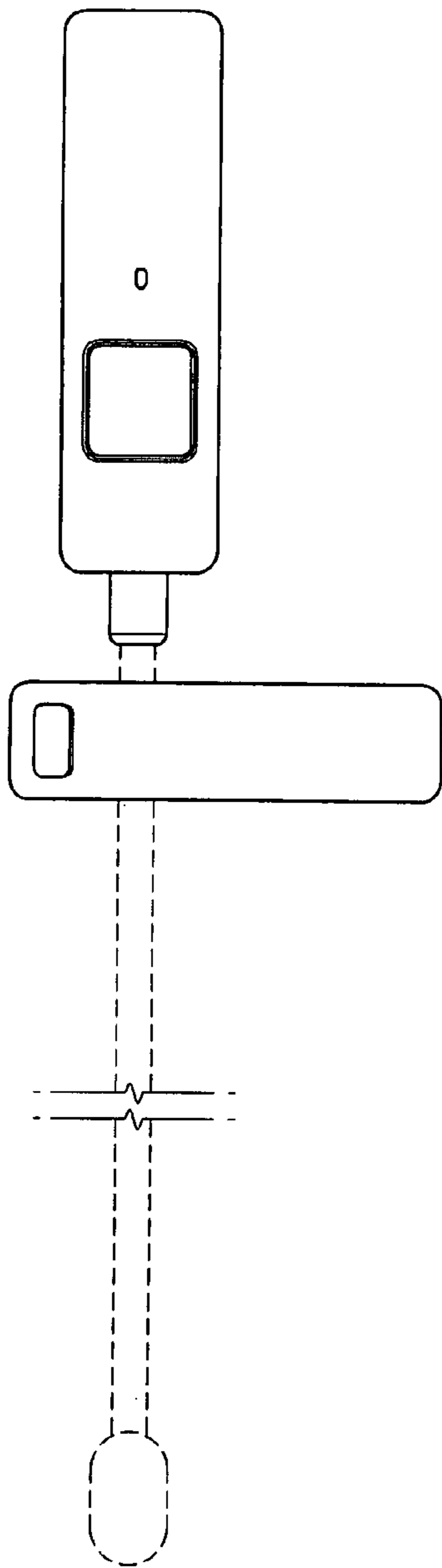


FIG. 3

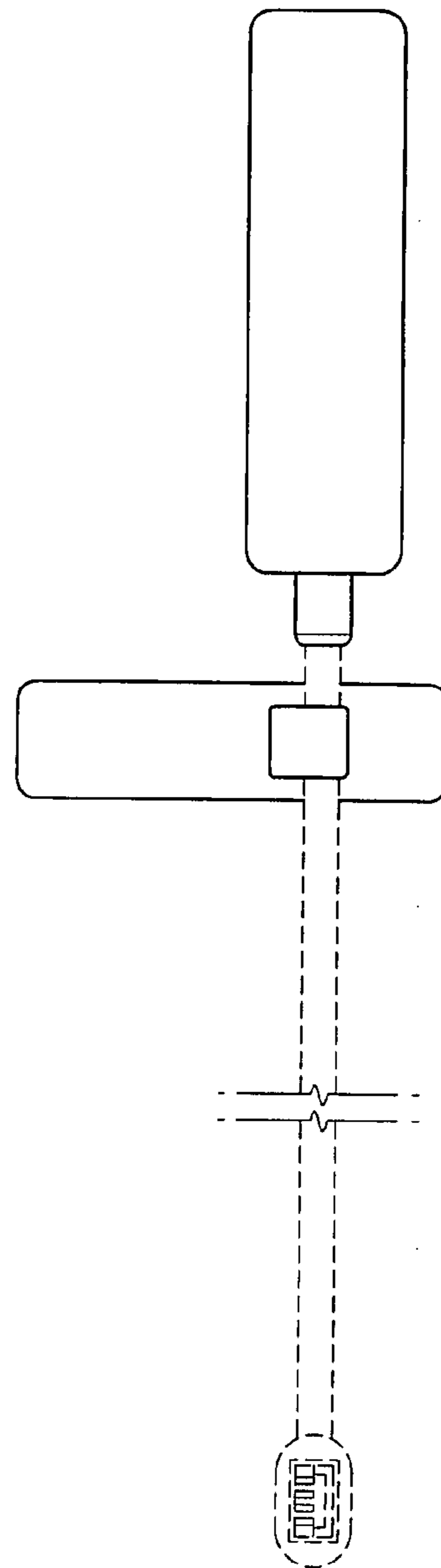


FIG. 4

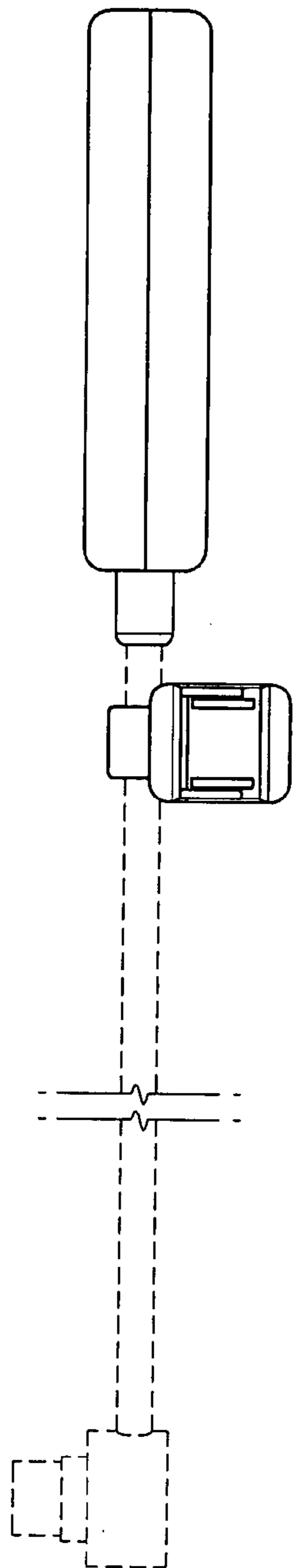


FIG. 5

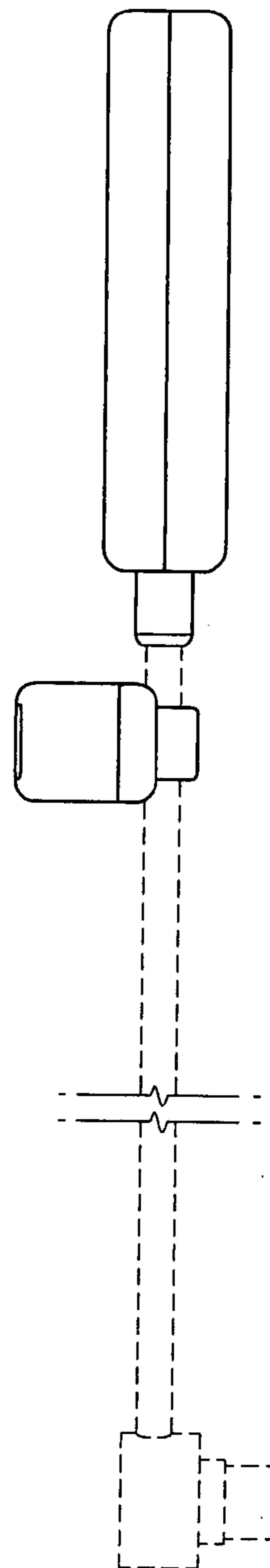


FIG. 6

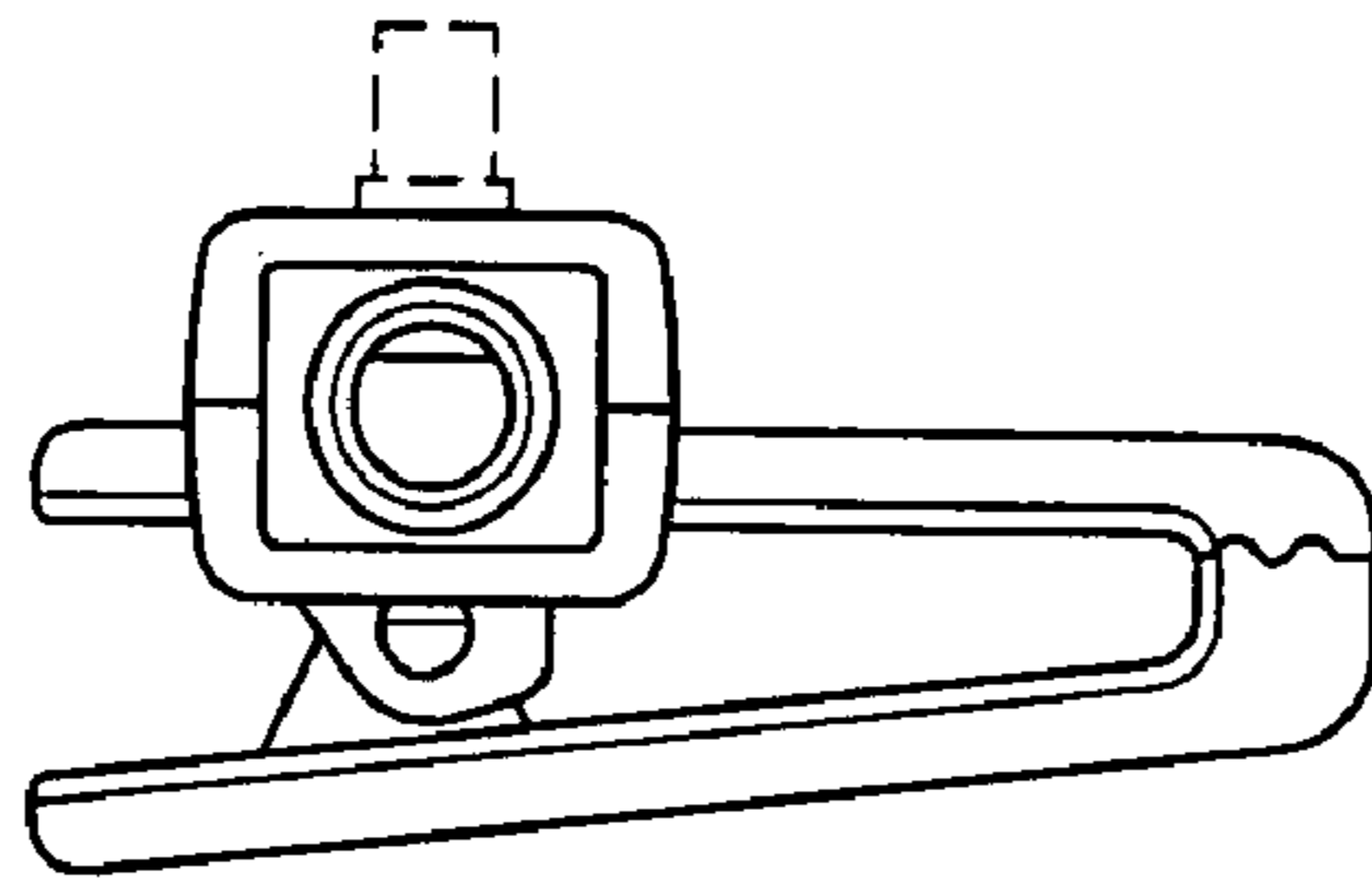


FIG. 7

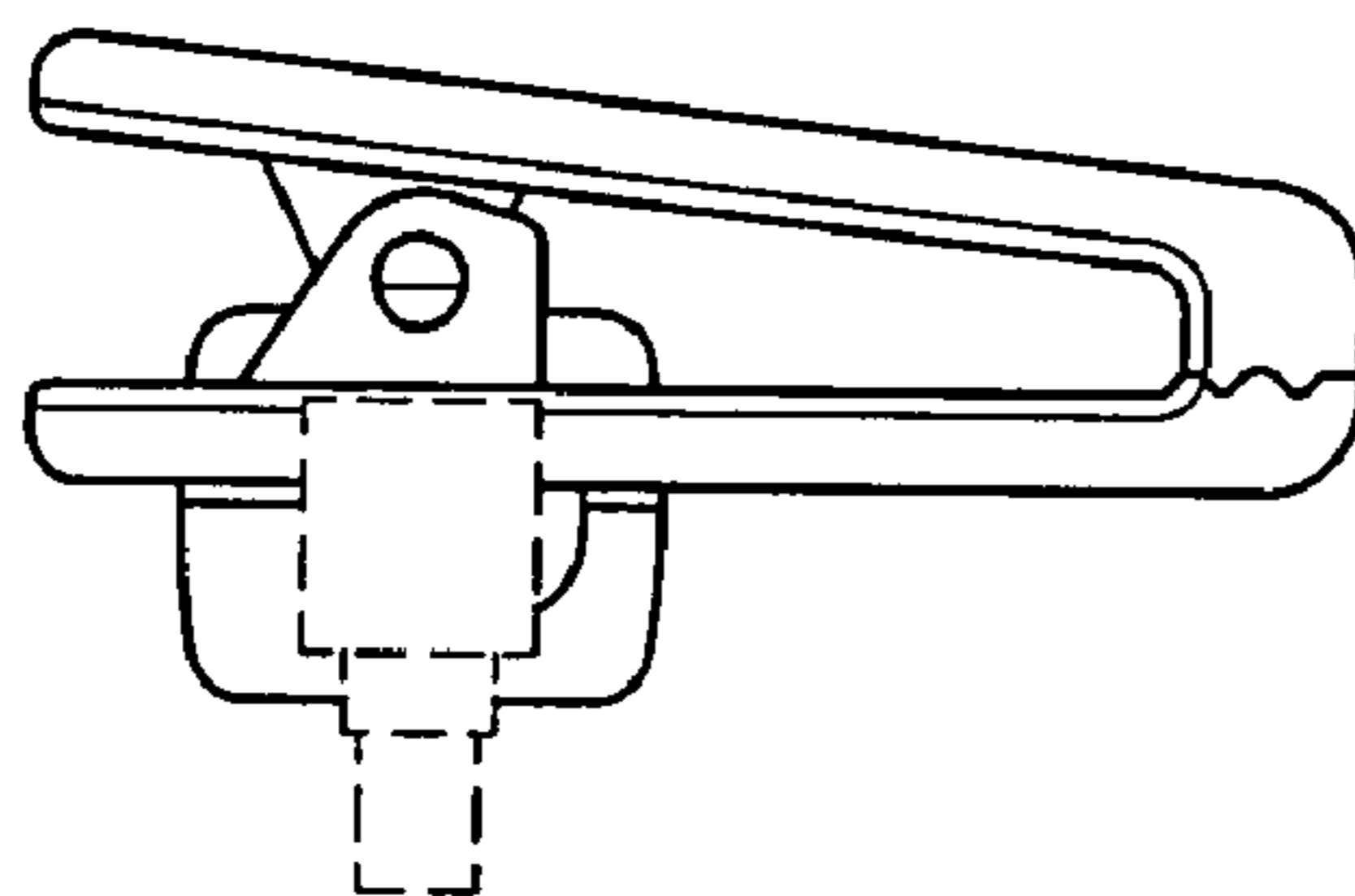


FIG. 8

