



US00D588582S

(12) **United States Design Patent**
Komiyama

(10) **Patent No.:** **US D588,582 S**
(45) **Date of Patent:** **** Mar. 17, 2009**

(54) **HEADPHONE**

(75) Inventor: **Jun Komiyama**, Tokyo (JP)

(73) Assignee: **Sony Corporation**, Tokyo (JP)

(**) Term: **14 Years**

(21) Appl. No.: **29/300,381**

(22) Filed: **Mar. 20, 2008**

(30) **Foreign Application Priority Data**

Sep. 28, 2007 (JP) D2007-026503

(51) **LOC (9) Cl.** **14-01**

(52) **U.S. Cl.** **D14/223; D14/205**

(58) **Field of Classification Search** D14/205,
D14/206, 223, 240, 188, 182; 181/129, 130;
379/430, 431, 420.04; 381/375, 380, 381,
381/385; 455/575.2

See application file for complete search history.

(56) **References Cited**

U.S. PATENT DOCUMENTS

D176,810 S *	1/1956	Norris	D14/192
3,869,584 A *	3/1975	Wilde	379/430
D237,090 S *	10/1975	Yanagawa	D14/205
D242,724 S *	12/1976	Brodie	D14/205
4,020,297 A *	4/1977	Brodie	379/430
D311,521 S *	10/1990	Jonsson et al.	D14/226
D321,881 S *	11/1991	Hopewell	D14/192
D350,961 S *	9/1994	Nakamura	
D375,959 S *	11/1996	Davis et al.	D14/223
D419,564 S *	1/2000	McDonald et al.	D14/223
D420,010 S *	2/2000	Pitel	D14/240
D449,295 S *	10/2001	Smith et al.	D14/223
D462,944 S *	9/2002	Yuen	D14/206
D464,638 S *	10/2002	Huang	D14/205
D464,949 S *	10/2002	DeKalb et al.	D14/218
D464,951 S *	10/2002	Skulley et al.	D14/223
D465,209 S *	11/2002	Rath	D14/206
D472,890 S *	4/2003	Suzuki	D14/223
D504,672 S *	5/2005	Hirano	
D504,883 S *	5/2005	Jacobson et al.	D14/192
D515,069 S *	2/2006	Naito	
7,006,649 B2 *	2/2006	Natvig	381/371

7,013,018 B2 *	3/2006	Bøgeskov-Jensen	381/381
D523,845 S *	6/2006	Smith et al.	D14/205
D524,793 S *	7/2006	Ohtsuki et al.	D14/205
D561,738 S *	2/2008	Ikeda et al.	D14/205
D565,024 S *	3/2008	Kim et al.	D14/205
D566,104 S *	4/2008	Suzuki	D14/223

FOREIGN PATENT DOCUMENTS

JP	D551683 S	4/1981
JP	D1135300 S	3/2002
JP	D1183055 S	8/2003
JP	D1194938 S	1/2004
JP	D1231627 S	2/2005
JP	D1293193 S	2/2007

OTHER PUBLICATIONS

Web page "ASHIDAVOX" <http://www.ashida.co.jp/index.html>, 3 sheets, Ashida Sound Co., Ltd. (1999-2007).

* cited by examiner

Primary Examiner—Paula Greene

(74) *Attorney, Agent, or Firm*—Rader, Fishman & Grauer, PLLC

(57) **CLAIM**

The ornamental design for a headphone, as shown.

DESCRIPTION

FIG. 1 is a perspective front view of a headphone showing my new design;

FIG. 2 is a perspective rear view of a headphone showing my new design;

FIG. 3 is a front elevational view thereof;

FIG. 4 is a rear elevational view thereof;

FIG. 5 is a left side elevational view thereof;

FIG. 6 is a right side elevational view thereof;

FIG. 7 is a top plan view thereof; and,

FIG. 8 is a bottom plan view thereof.

1 Claim, 8 Drawing Sheets

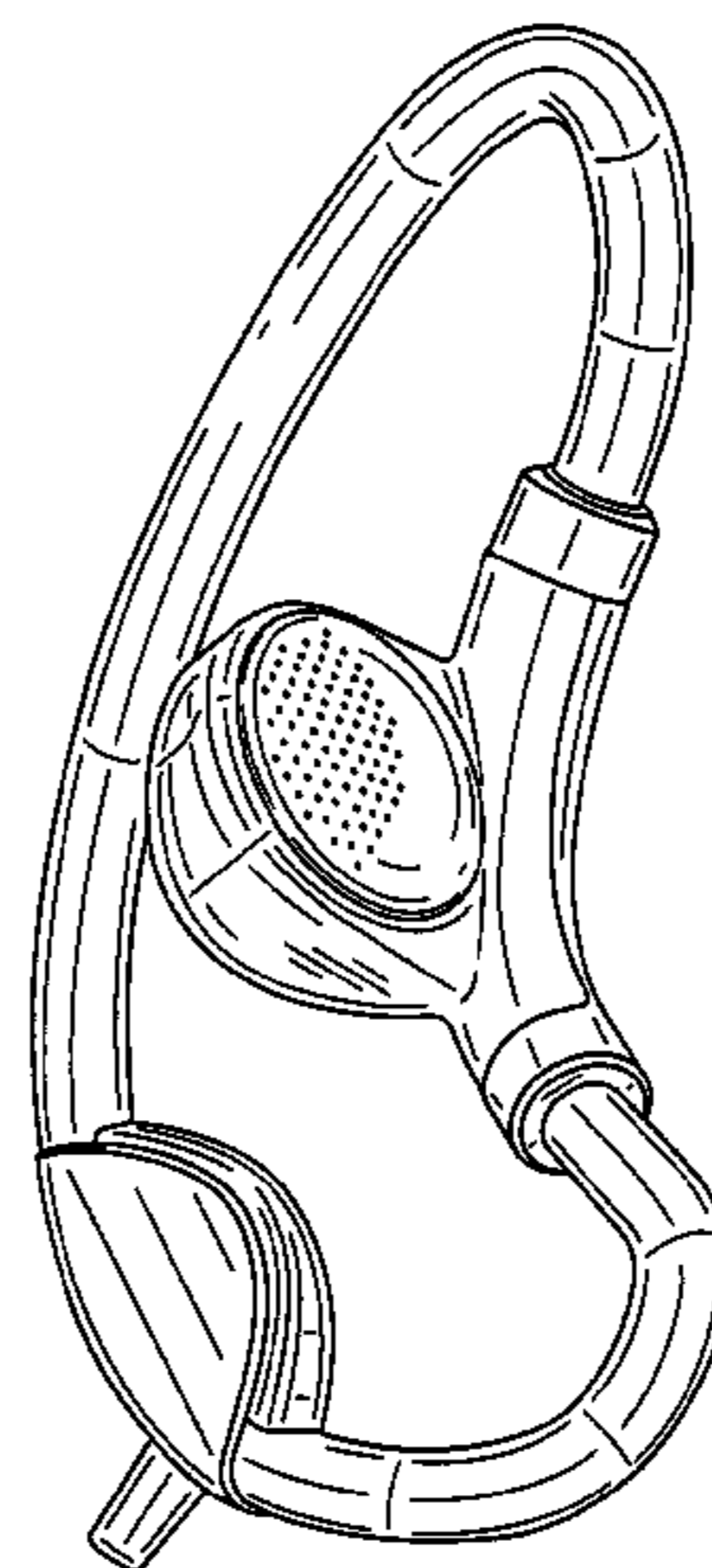
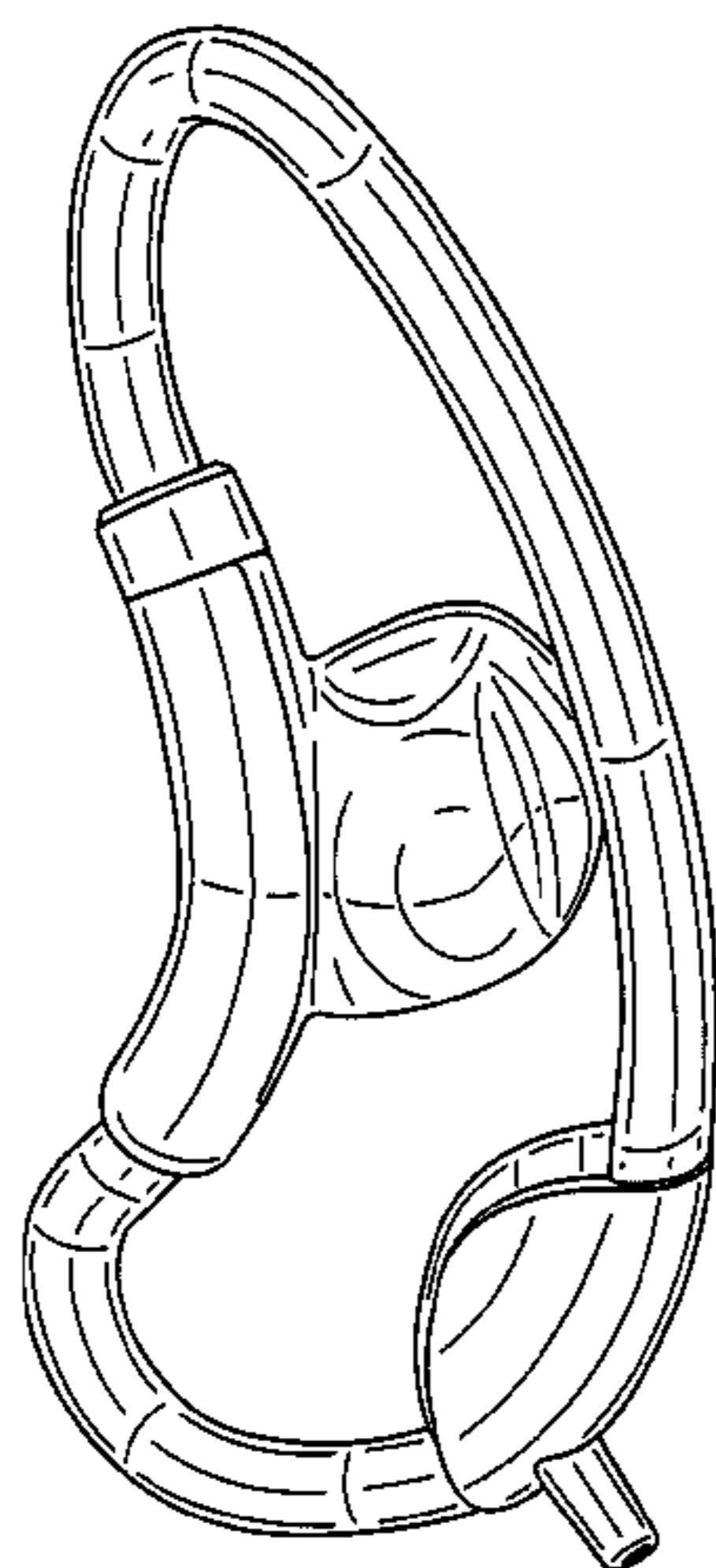


FIG.1

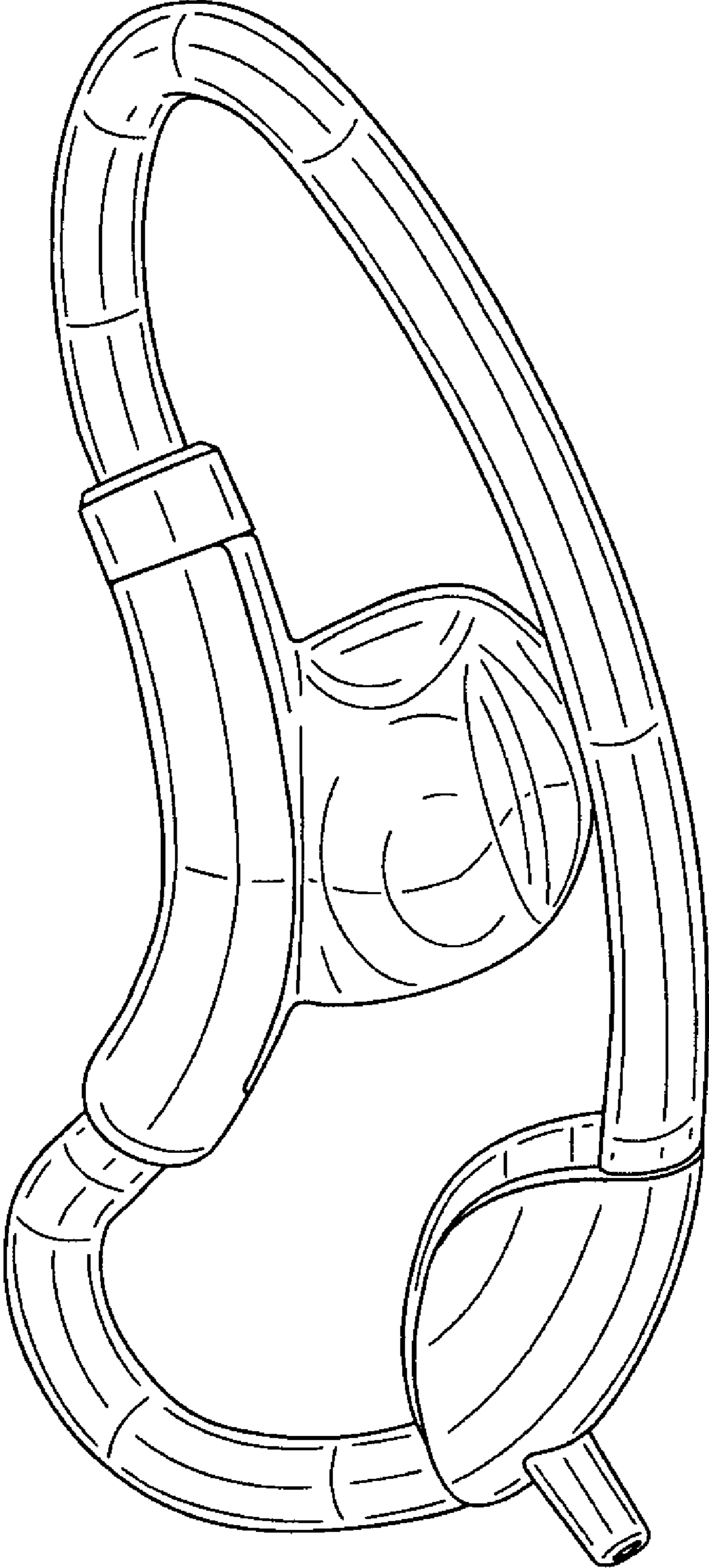


FIG.2

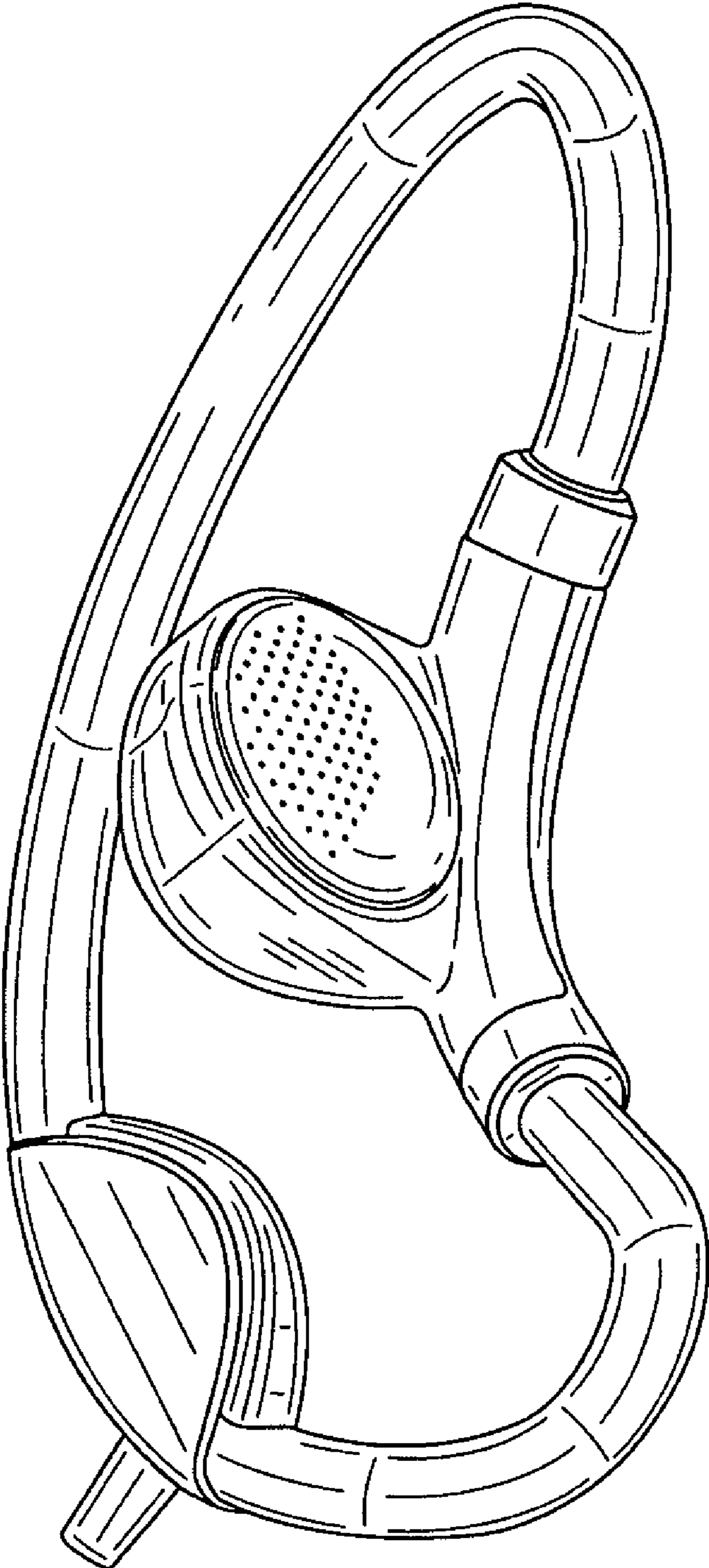


FIG.3

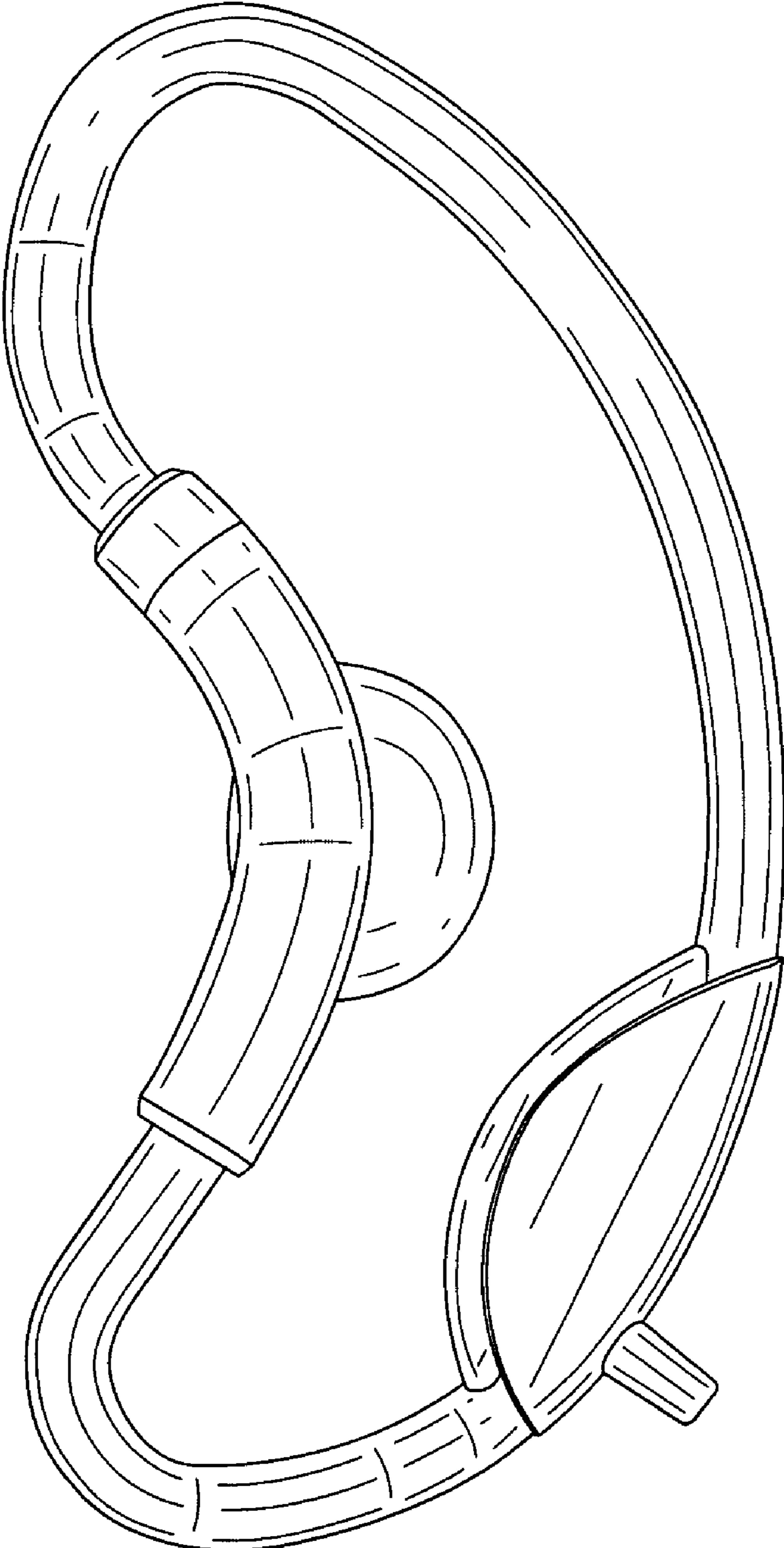


FIG.4

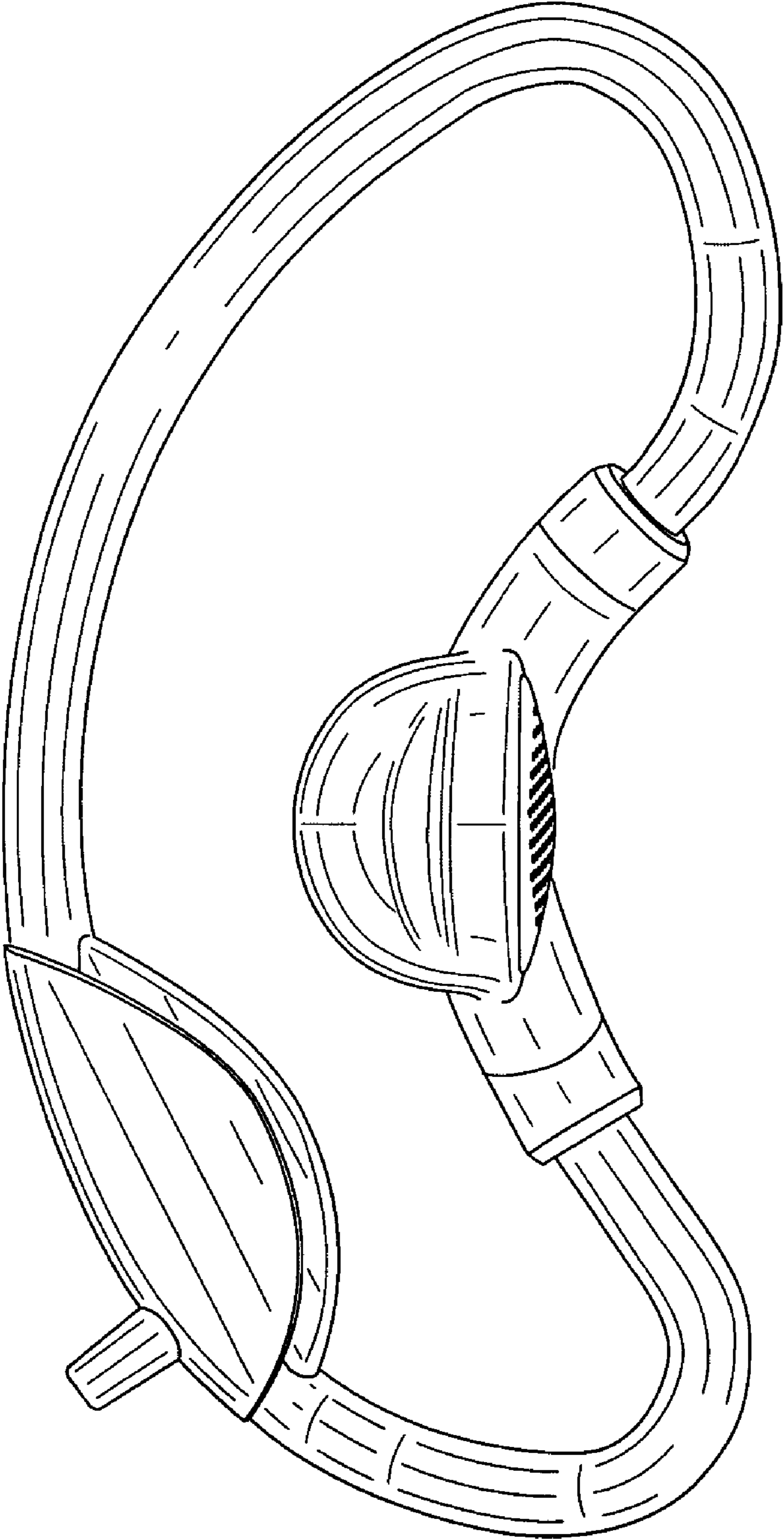


FIG.5

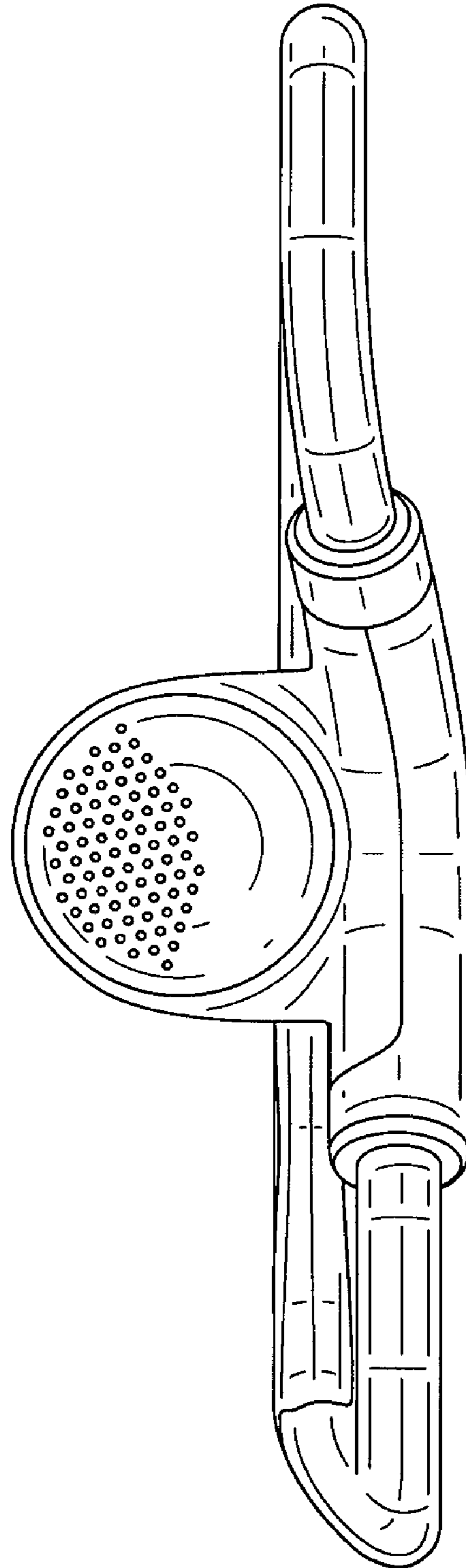


FIG.6

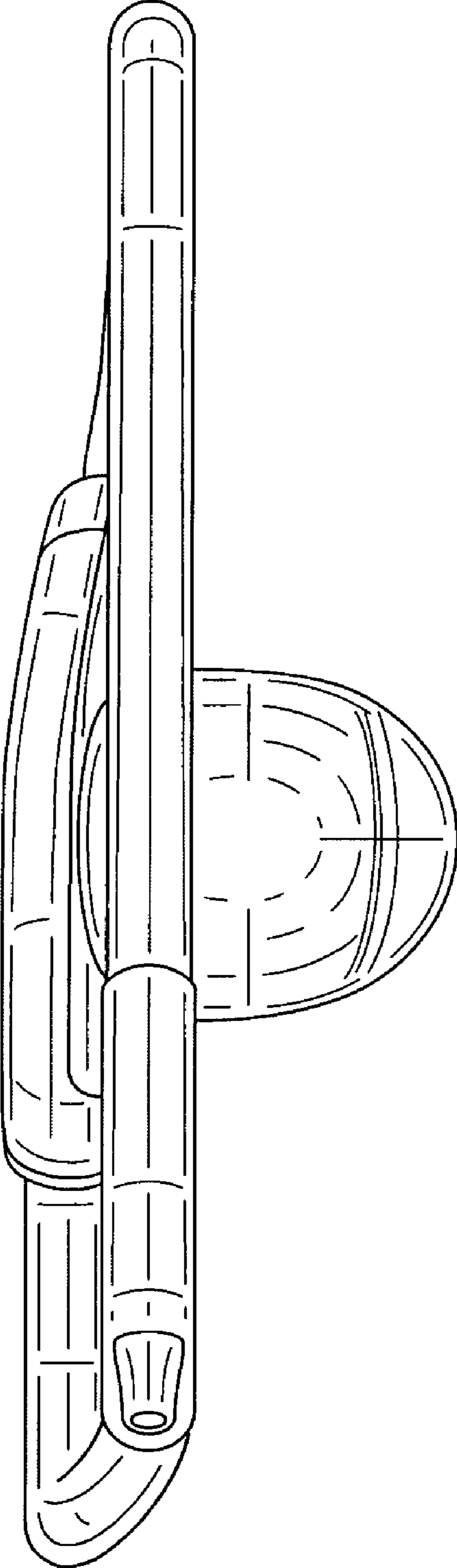


FIG. 7

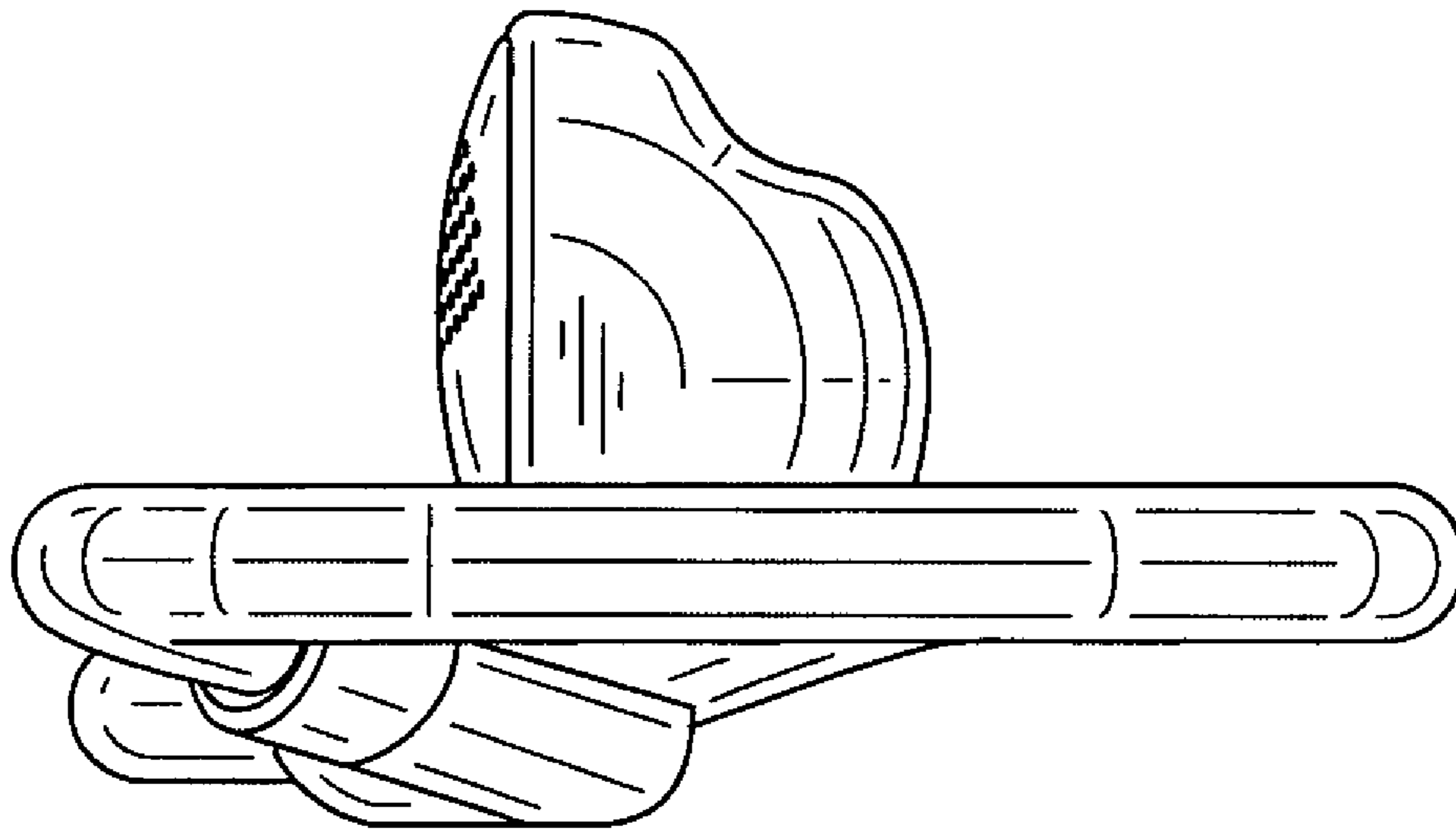


FIG.8

