



US00D588579S

(12) **United States Design Patent**
Ross et al.

(10) **Patent No.:** **US D588,579 S**
(45) **Date of Patent:** **** Mar. 17, 2009**

(54) **DOCKING STATION**

(76) Inventors: **Robert Ross**, 4104 Nancy La., White Lake, MI (US) 48383; **Bill Hersch**, 9054 N. Bayside Dr., Milwaukee, WI (US) 53217

(**) Term: **14 Years**

(21) Appl. No.: **29/283,752**

(22) Filed: **Aug. 22, 2007**

(51) **LOC (9) Cl.** **14-02**

(52) **U.S. Cl.** **D14/217; D9/772; D9/763**

(58) **Field of Classification Search** D14/142, D14/149, 189, 217, 251, 432, 434, 435, 447, D14/496; D13/107, 108, 118; 248/221.11, 248/309.1; 320/107, 110, 113-115; 361/600, 361/679, 683, 686; 439/529, 534; 455/556.1, 455/556.2, 557; D9/763, 772, 773
See application file for complete search history.

(56) **References Cited**

U.S. PATENT DOCUMENTS

D327,218 S * 6/1992 Nickerson D9/772
D366,602 S * 1/1996 Penn et al. D7/636
D444,385 S * 7/2001 Dixon, I D9/772

D530,685 S * 10/2006 Dupuis D14/125
D539,327 S * 3/2007 Andre et al. D16/242
D542,279 S * 5/2007 Chan D14/216
2005/0147951 A1* 7/2005 Rohrbach D16/242

* cited by examiner

Primary Examiner—Stella M. Reid

Assistant Examiner—Keli L Acker

(74) *Attorney, Agent, or Firm*—Rader, Fishman & Grauer, PLLC

(57) **CLAIM**

The ornamental design for a docking station, as shown and described.

DESCRIPTION

FIG. 1 is a perspective view of a docking station, embodying our new design;

FIG. 2 is a rear view thereof;

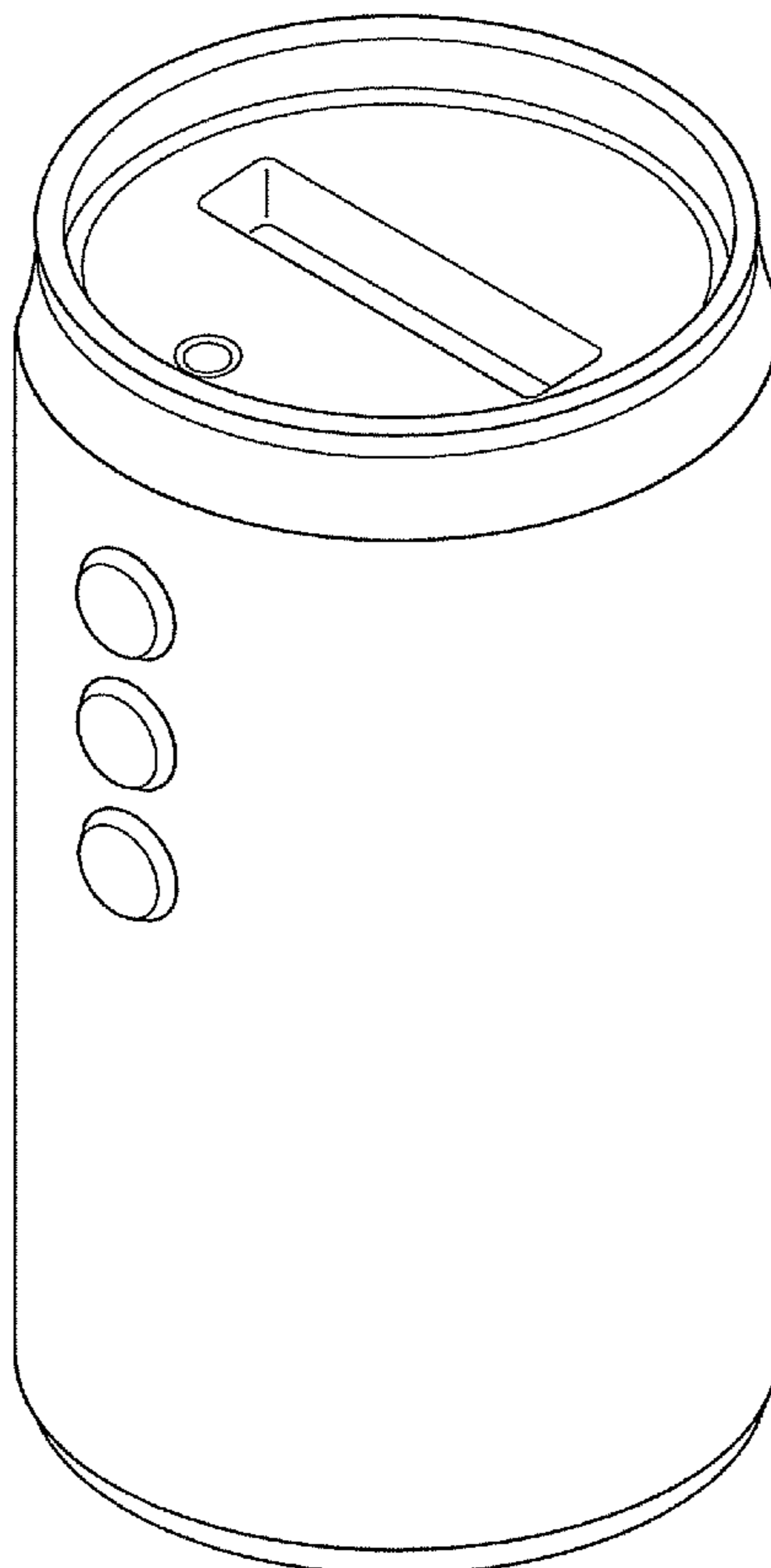
FIG. 3 is a right side view thereof, the left side view being a mirror image thereto;

FIG. 4 is a front view thereof;

FIG. 5 is a top view thereof; and,

FIG. 6 is a bottom view thereof.

1 Claim, 6 Drawing Sheets



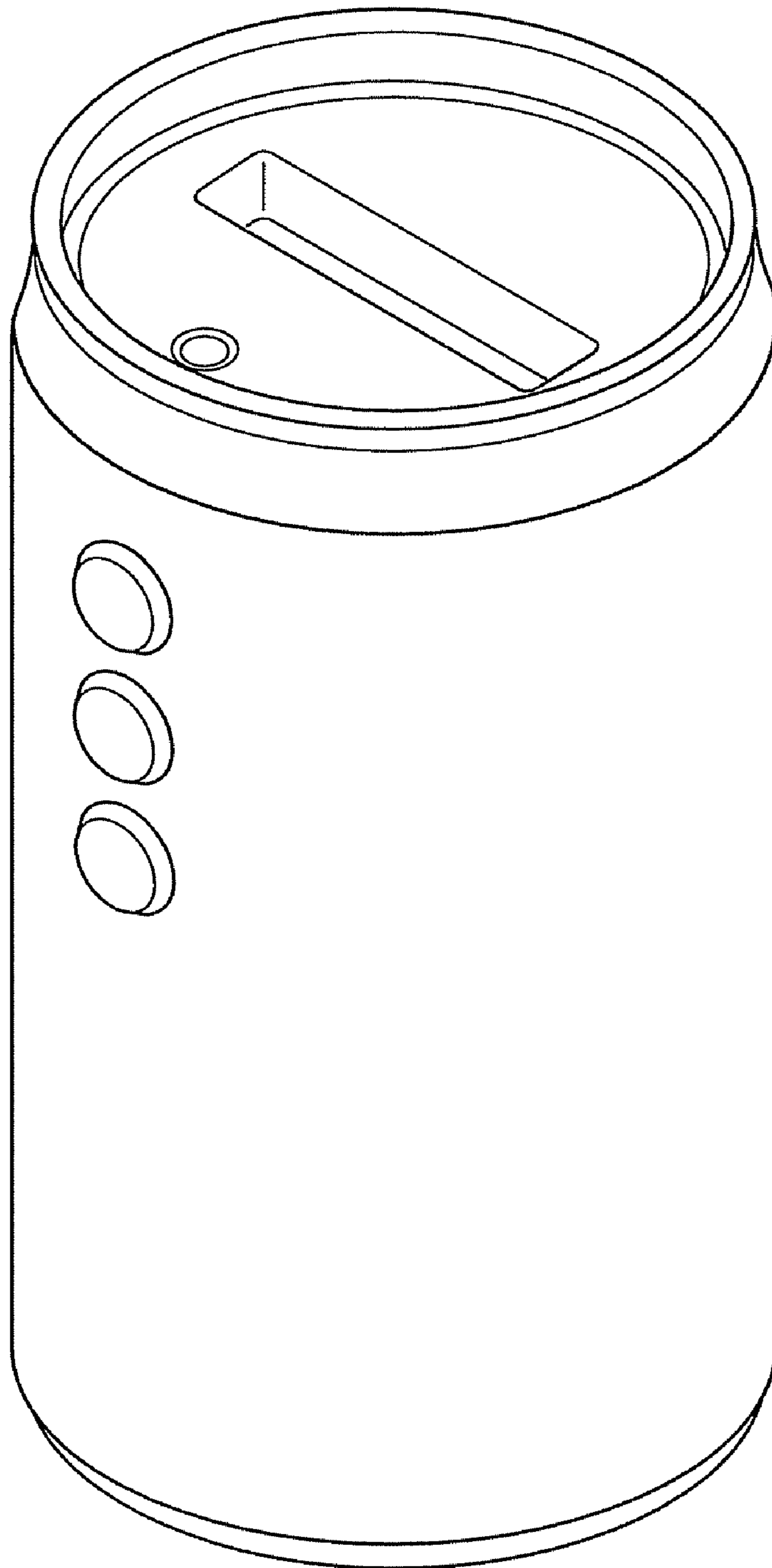


FIG. 1

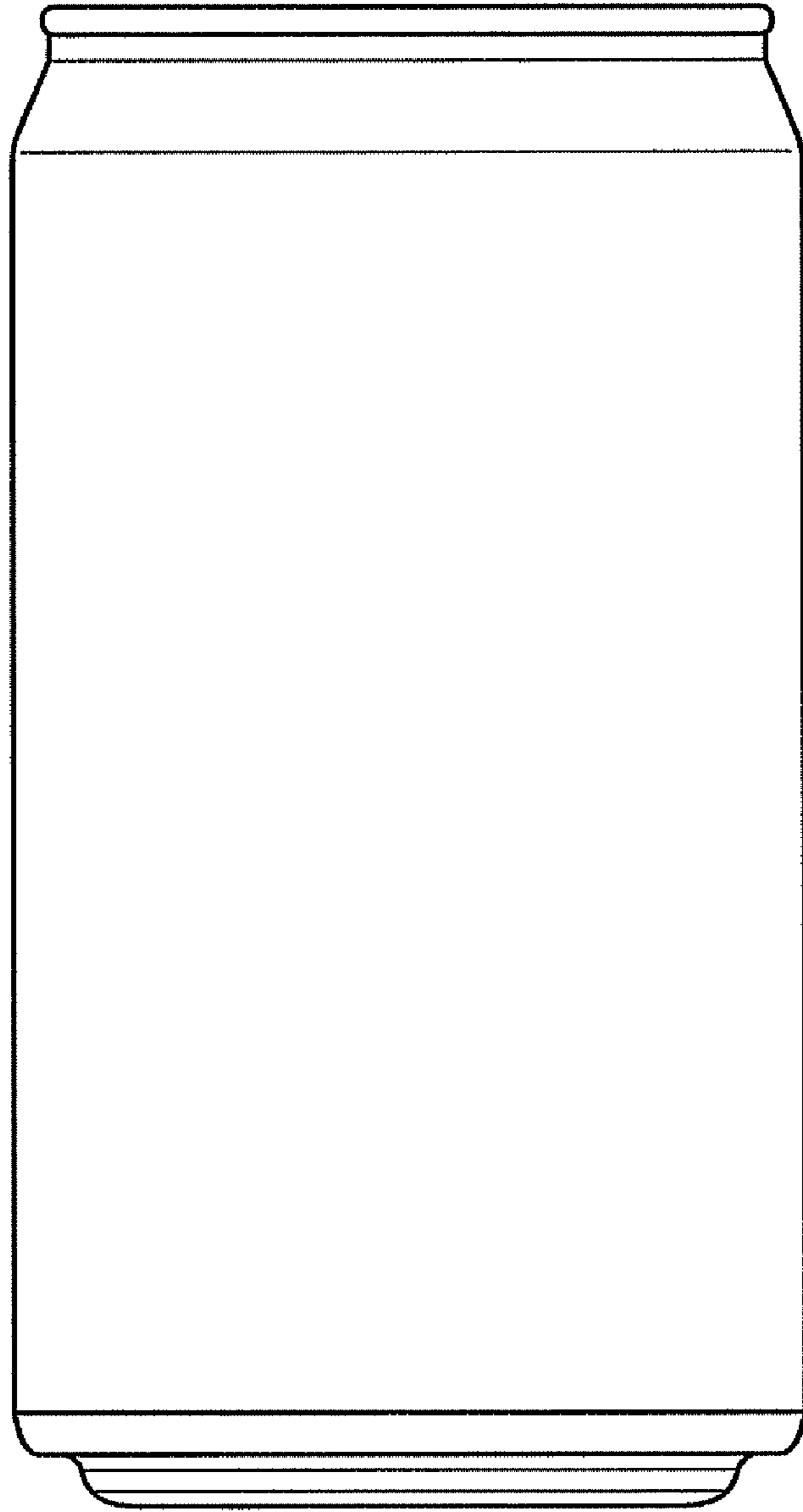


FIG. 2

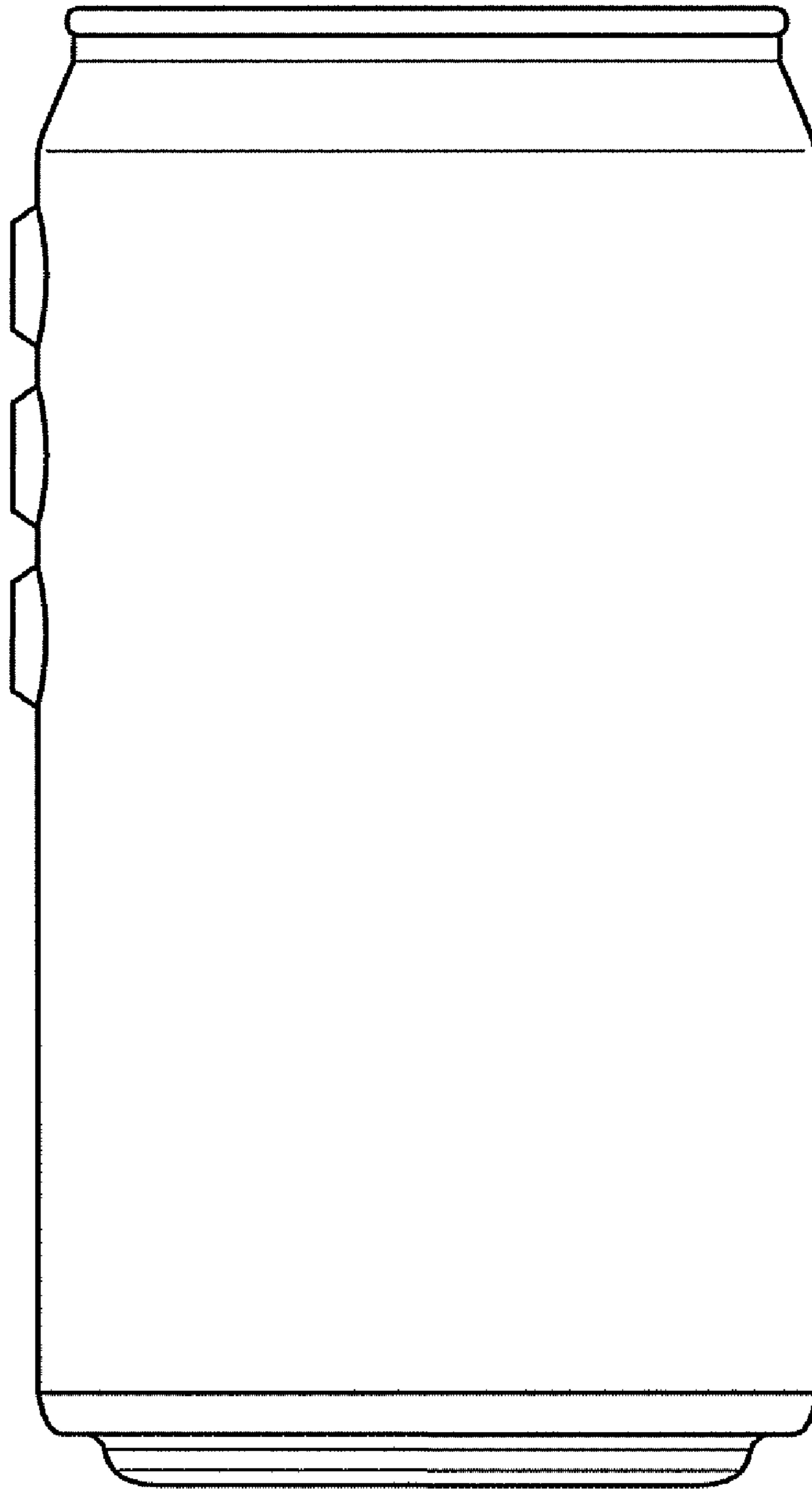


FIG. 3

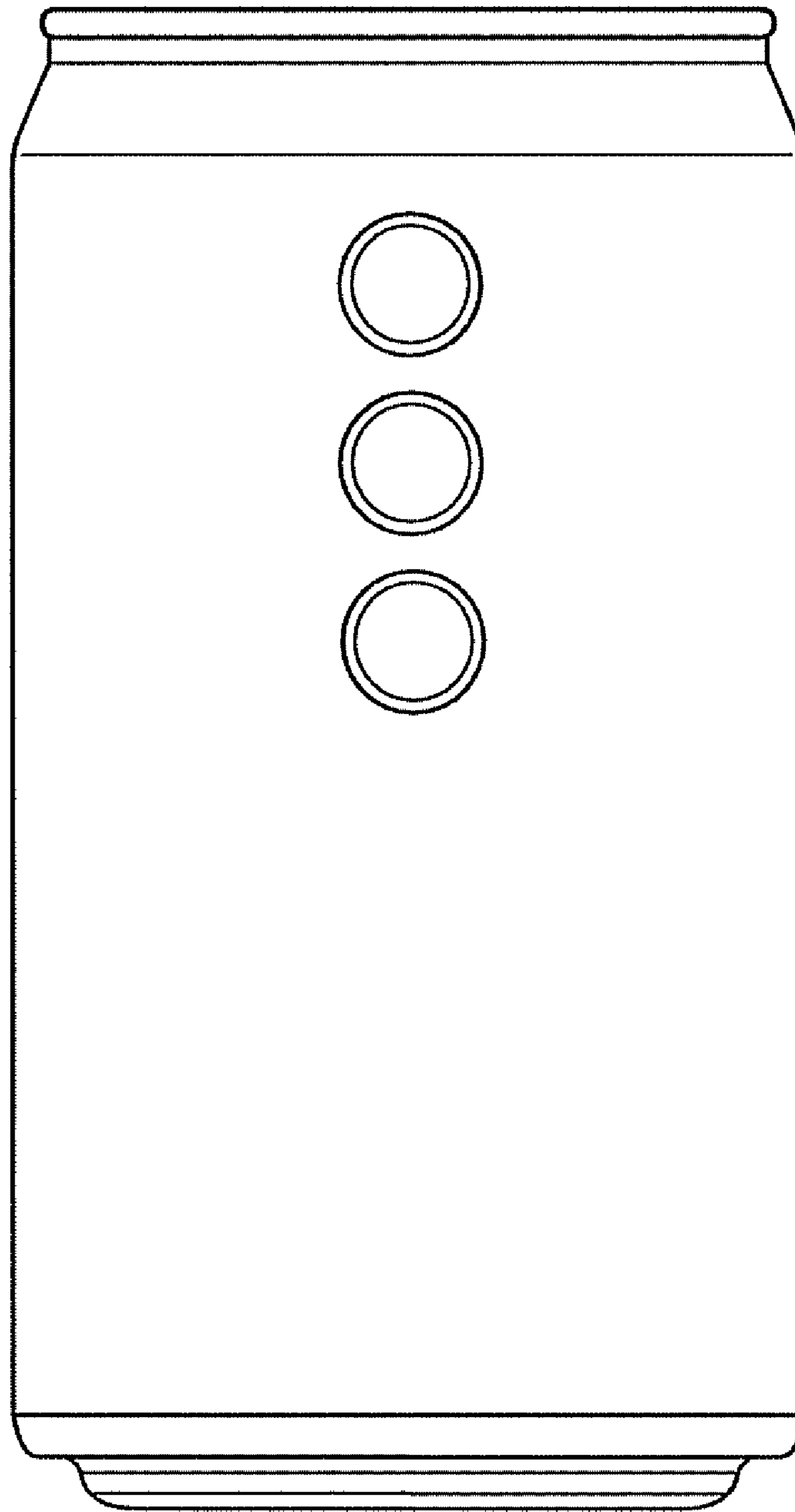


FIG. 4

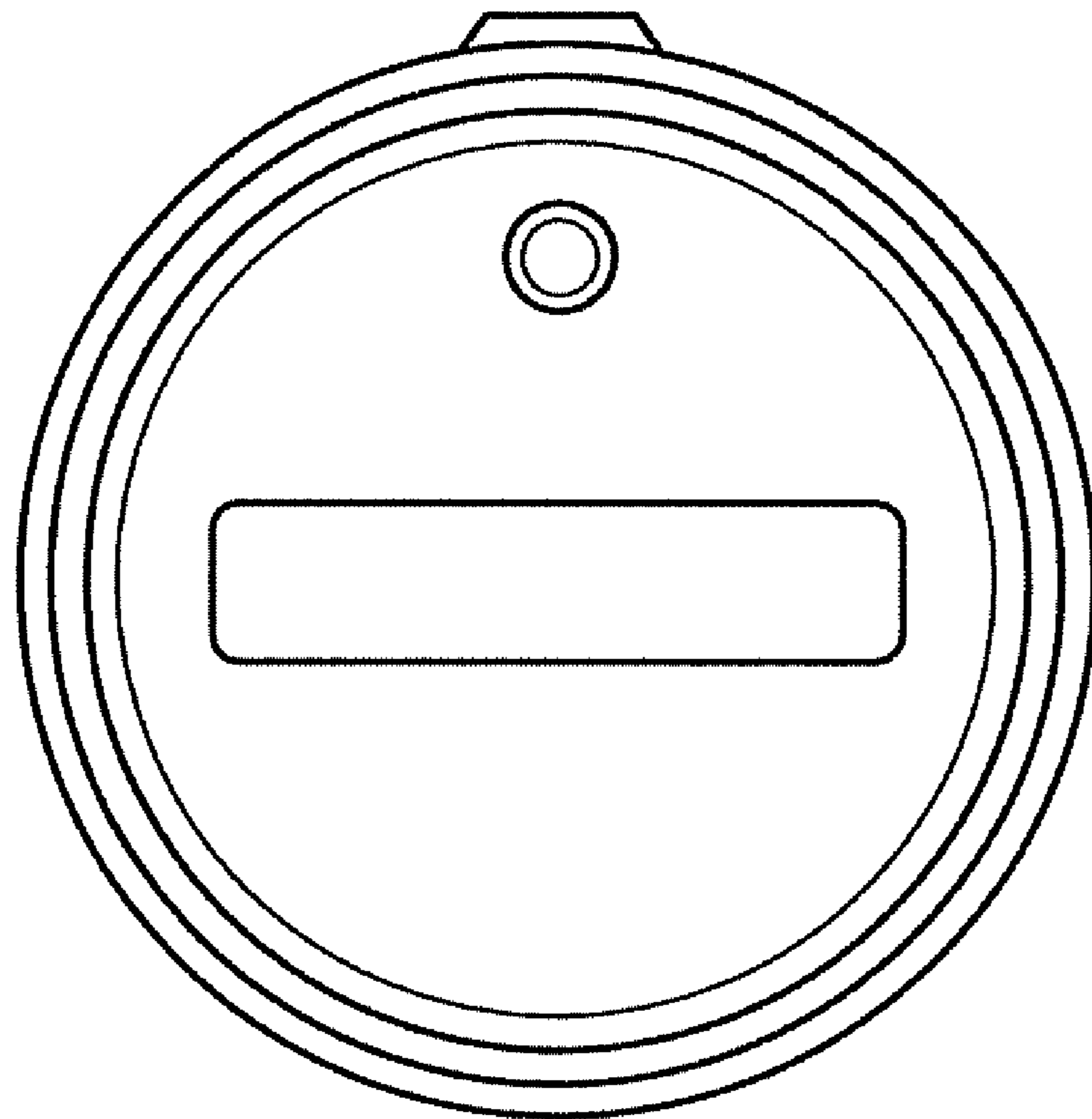


FIG. 5

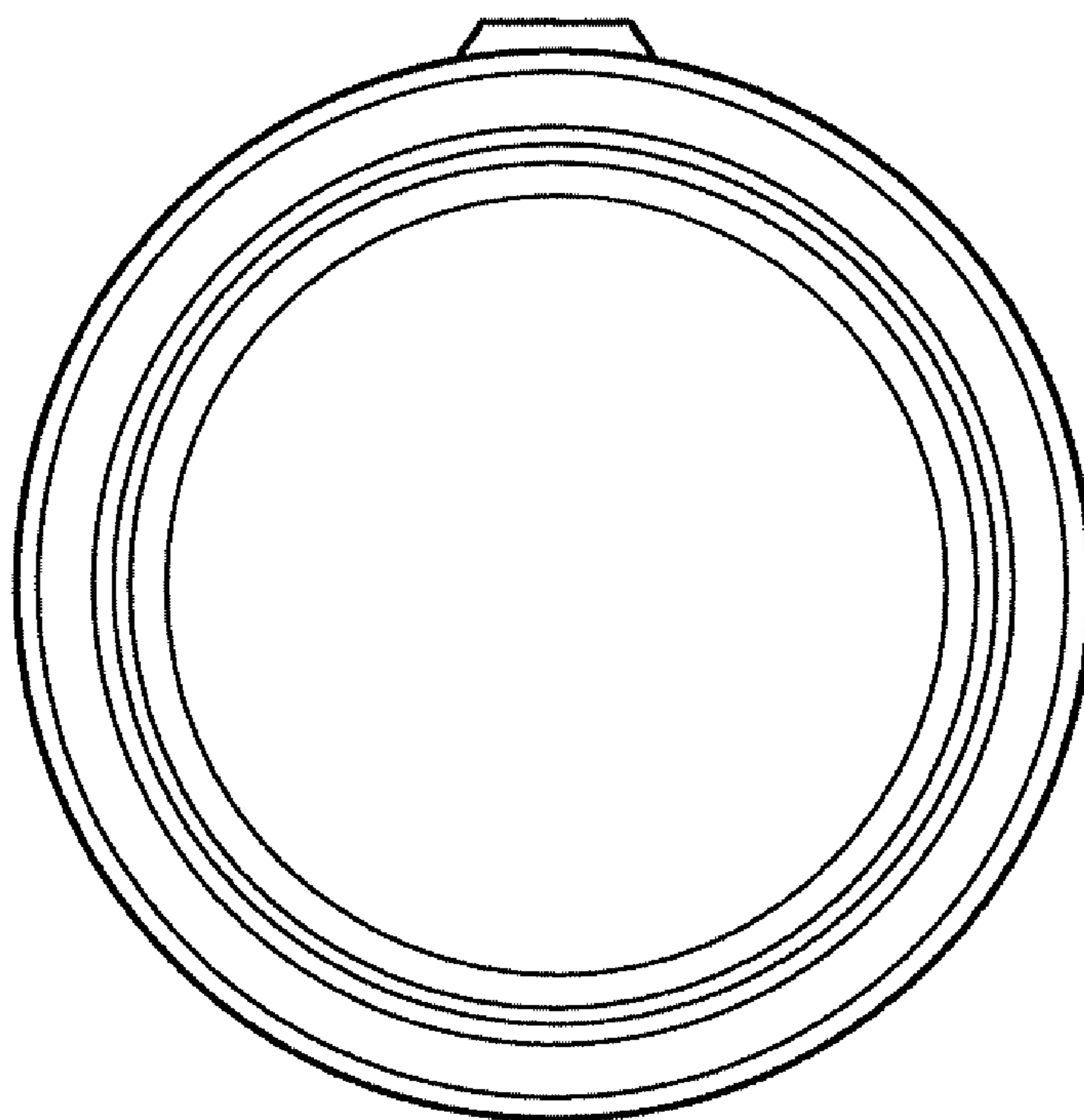


FIG. 6