



US00D588577S

(12) **United States Design Patent**
Blanchette

(10) **Patent No.:** **US D588,577 S**
(45) **Date of Patent:** **** Mar. 17, 2009**

(54) **LOUD SPEAKER**

(75) Inventor: **Daniel Blanchette**, Salem, MA (US)

(73) Assignee: **Boston Acoustics, Inc.**, Peabody, MA (US)

(**) Term: **14 Years**

(21) Appl. No.: **29/283,597**

(22) Filed: **Aug. 17, 2007**

(51) **LOC (9) Cl.** **14-01**

(52) **U.S. Cl.** **D14/214**

(58) **Field of Classification Search** D14/204,
D14/207, 209–216; 181/143–144, 147–148,
181/150, 157, 198–199, 151, 153; 381/300–302,
381/306, 333, 345, 361–364, 386–388, 332,
381/336

See application file for complete search history.

(56) **References Cited**

U.S. PATENT DOCUMENTS

D163,700 S *	6/1951	Klipsch	D14/214
D280,984 S *	10/1985	Tricker	D14/214
D335,474 S *	5/1993	Patterson et al.	D14/211
D434,750 S *	12/2000	Childers et al.	D14/204

* cited by examiner

Primary Examiner—Nanda Bondade

(74) *Attorney, Agent, or Firm*—Peter A. Nieves; Sheehan Phinney Bass & Green, P.A.

(57) **CLAIM**

I claim the ornamental design for a loud speaker, as shown and described.

DESCRIPTION

FIG. 1 is a perspective view of the loud speaker of the present invention;

FIG. 2 is a front view of the loud speaker;

FIG. 3 is a back view of the loud speaker;

FIG. 4 is a left side view of the loud speaker;

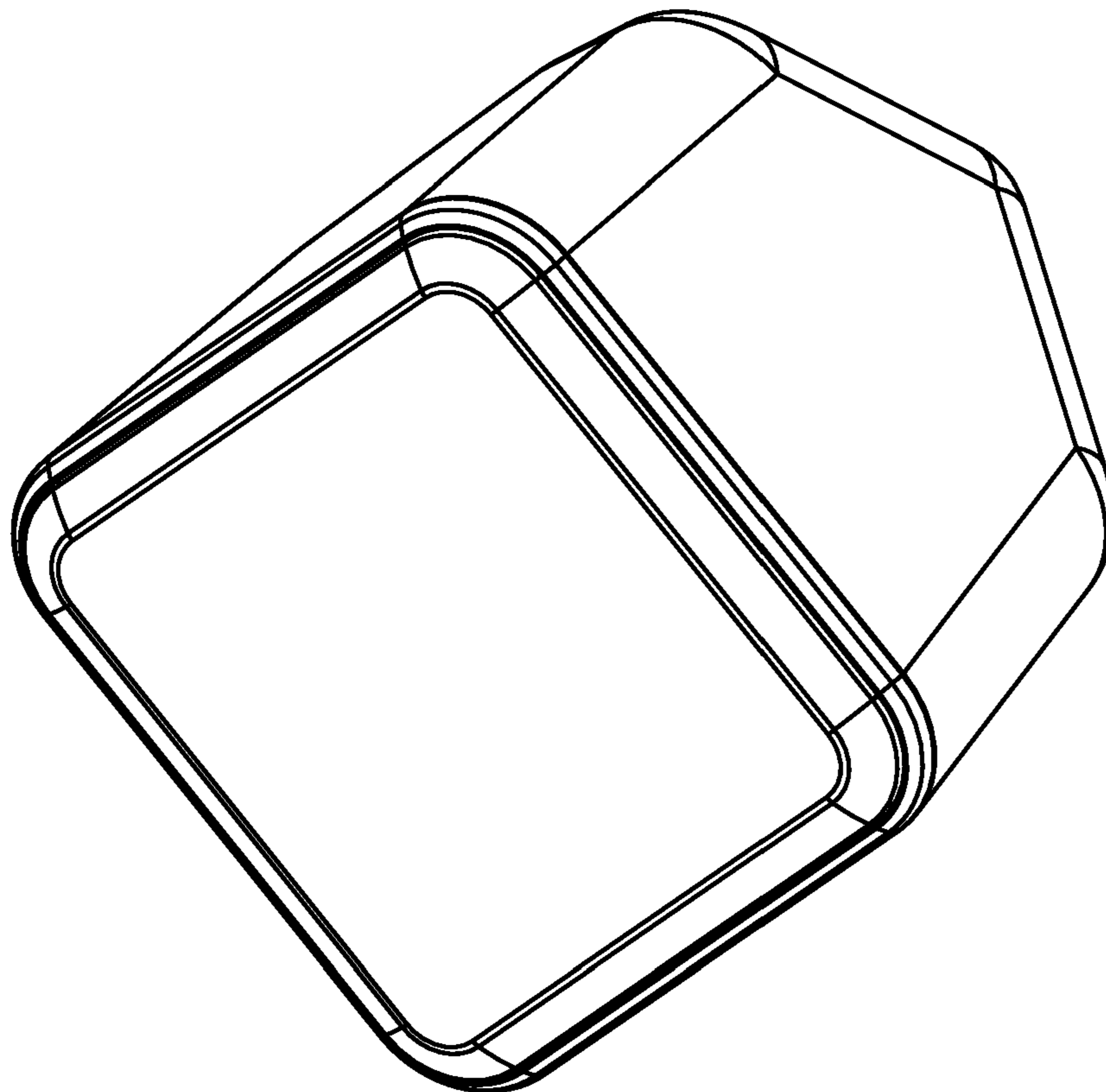
FIG. 5 is a right side view of the loud speaker;

FIG. 6 is a top view of the loud speaker; and,

FIG. 7 is a bottom view of the loud speaker.

The broken line showing on the drawing disclosure is for illustrative purposes only and forms no part of the claimed design.

1 Claim, 7 Drawing Sheets



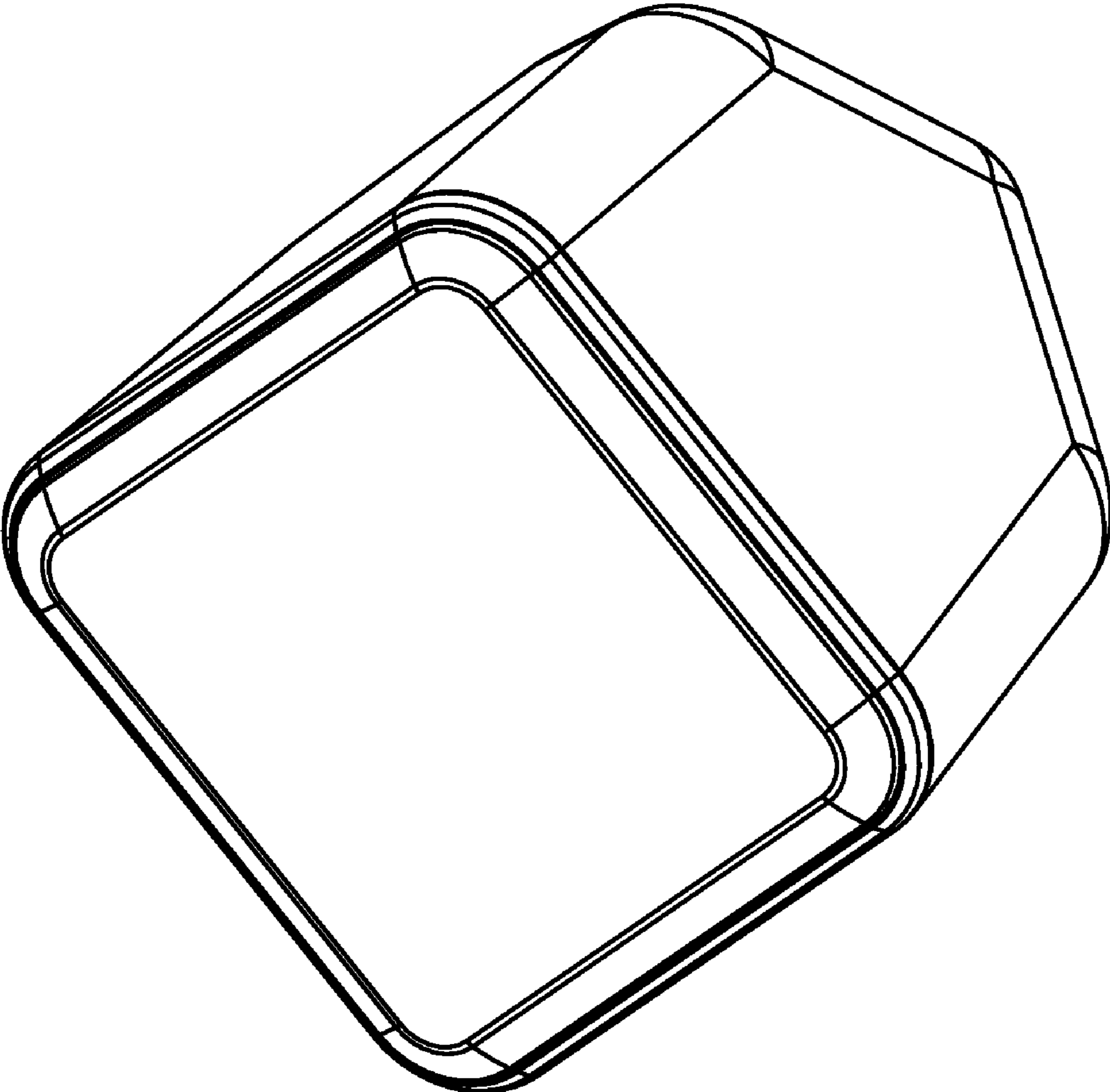


FIG. 1

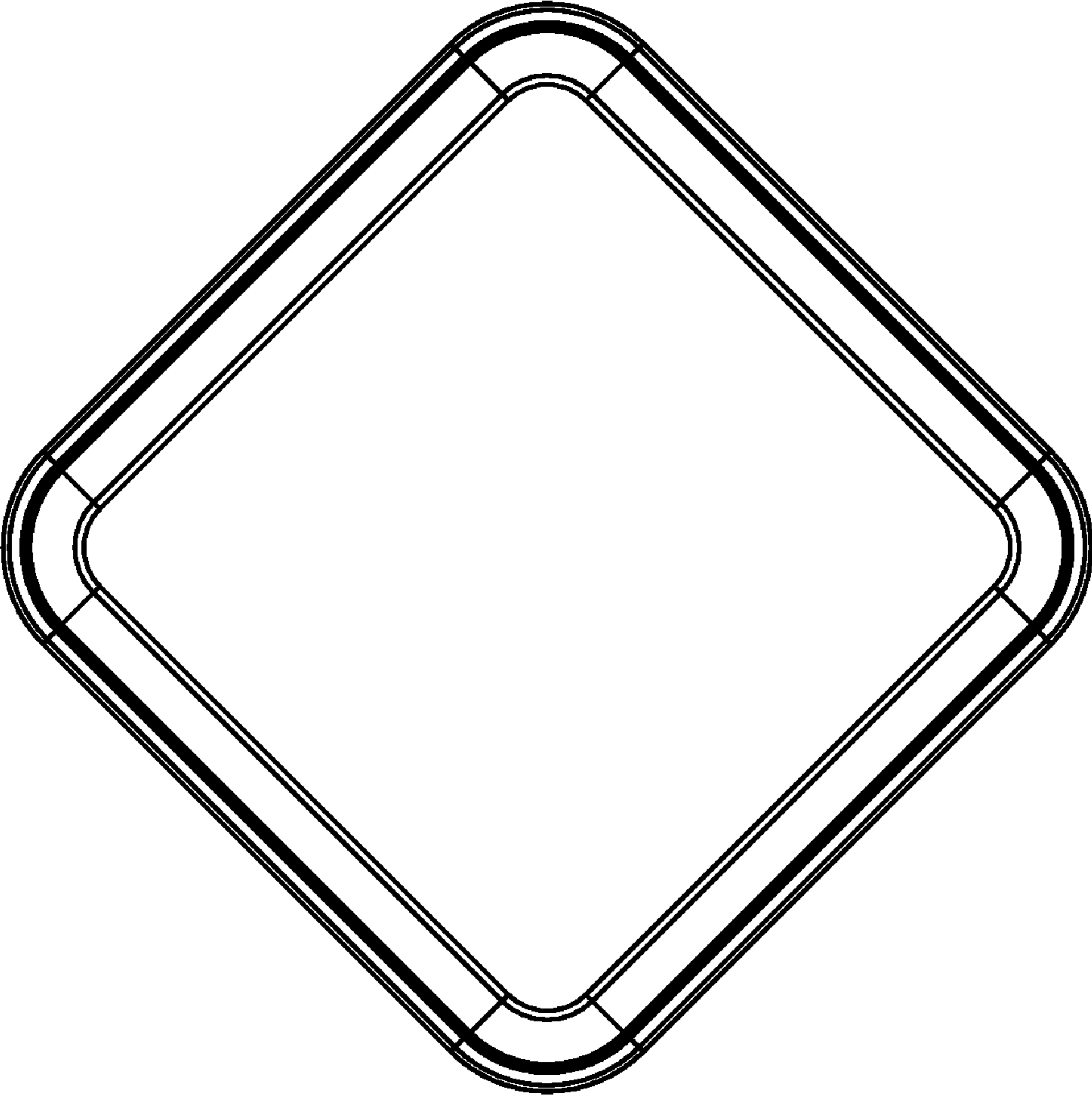


FIG. 2

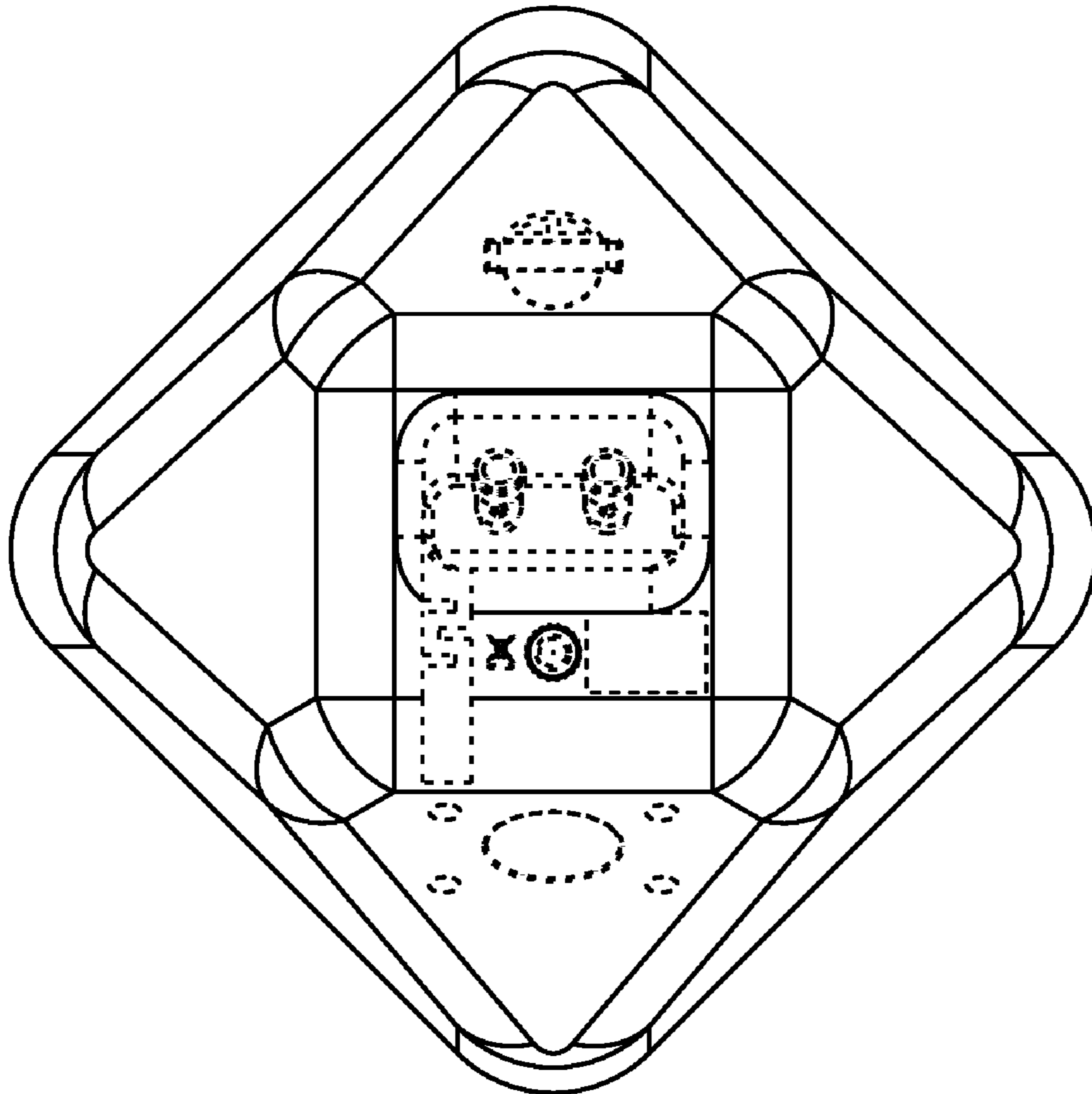


FIG. 3

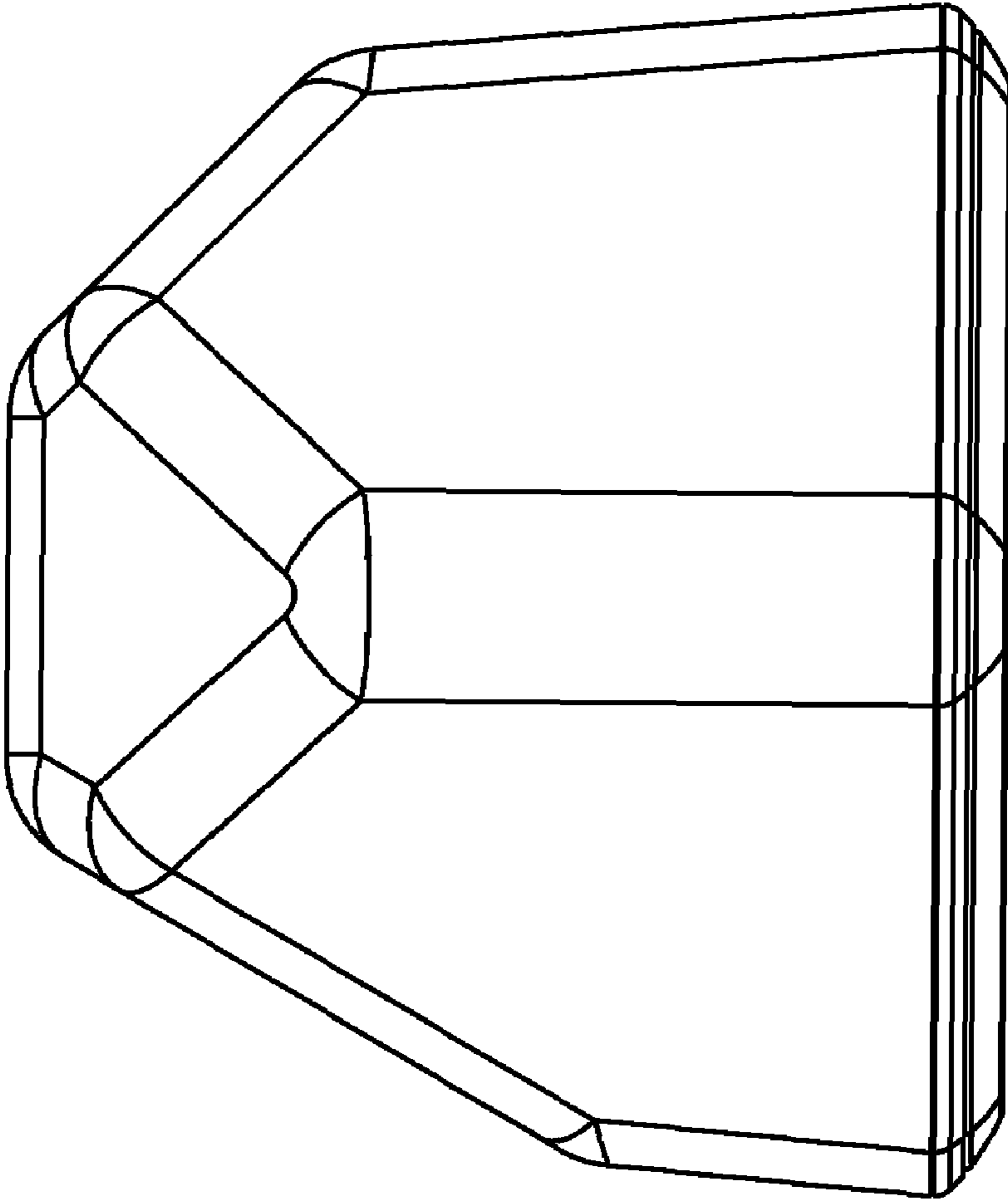


FIG. 4

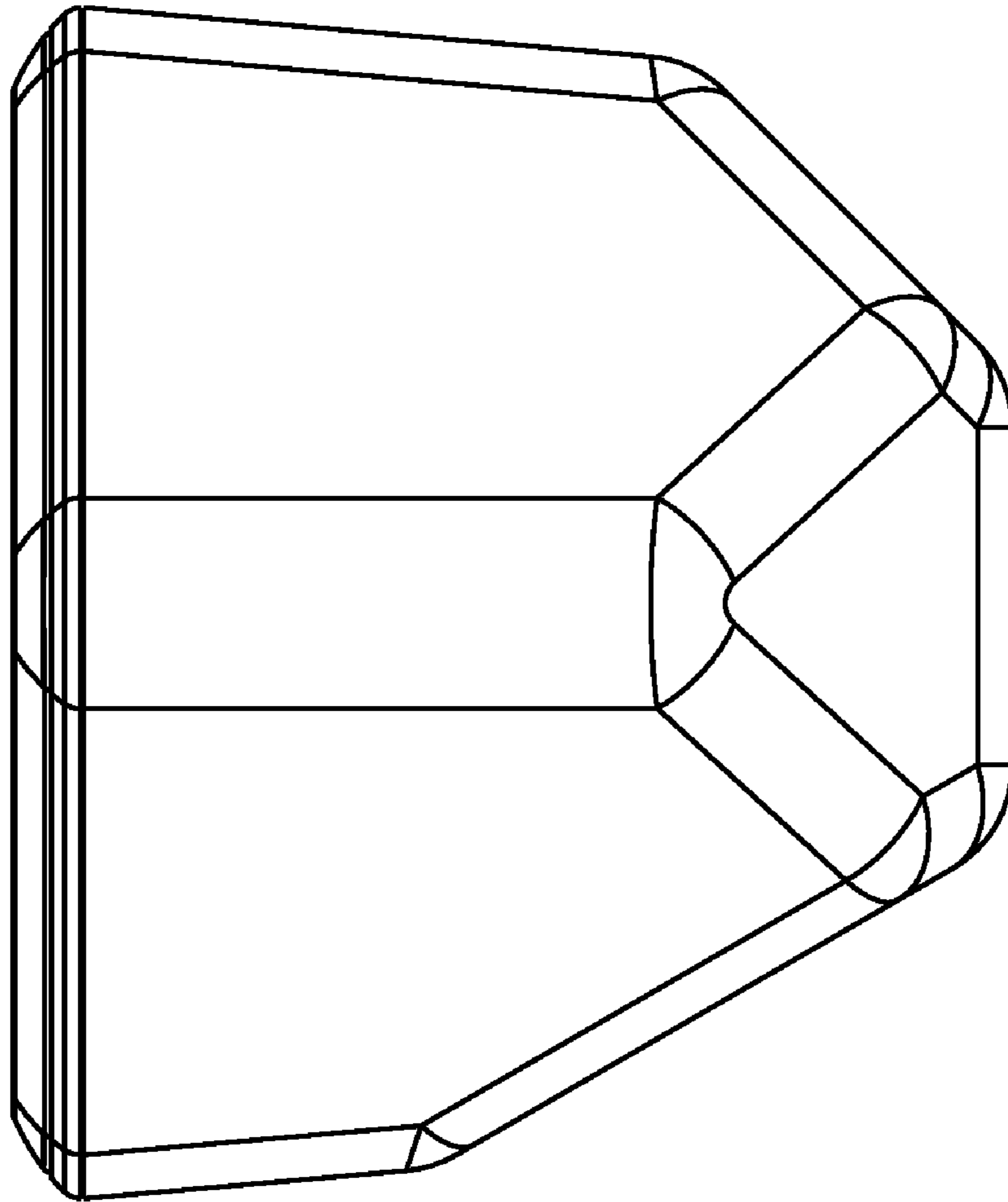


FIG. 5

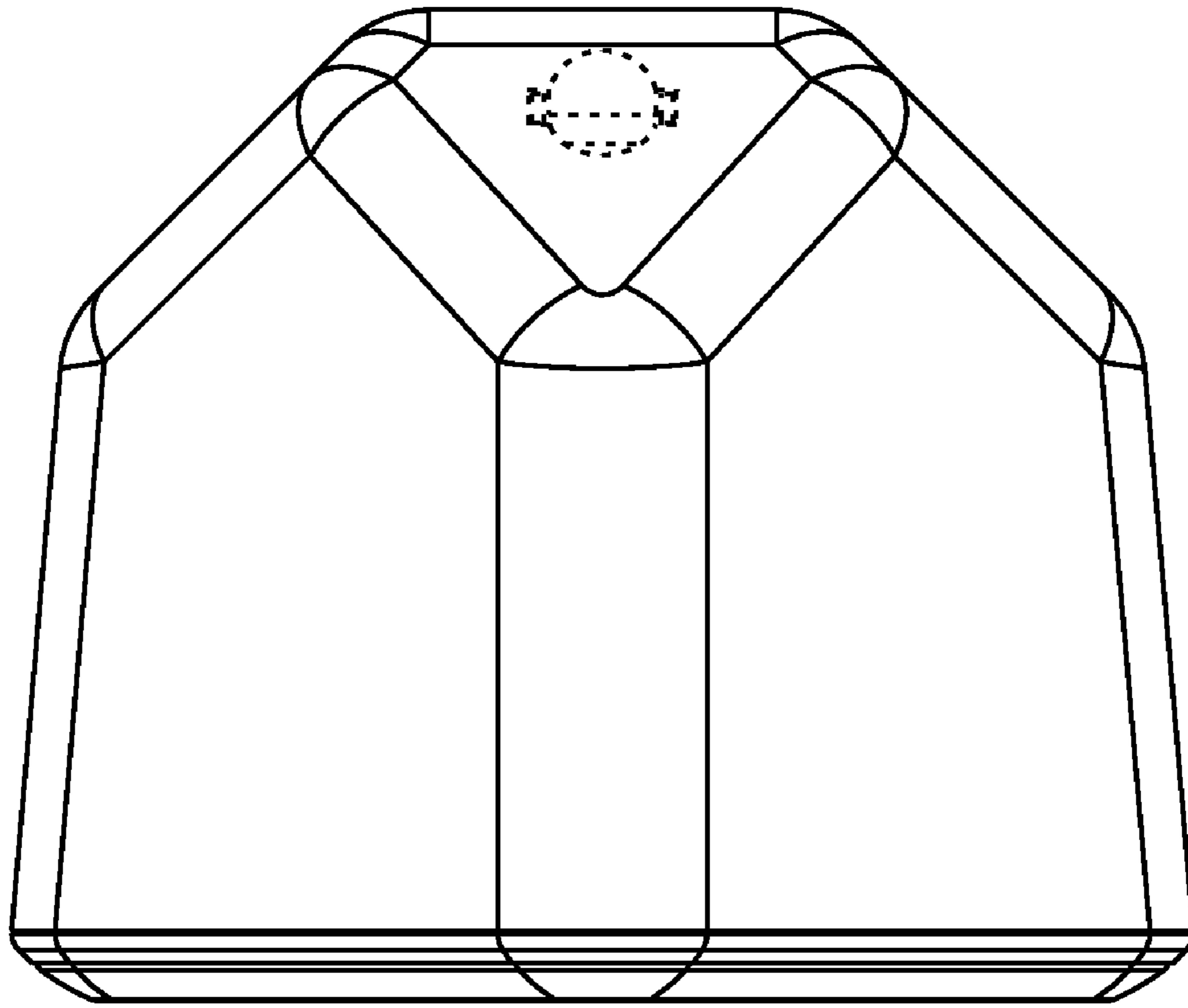


FIG. 6

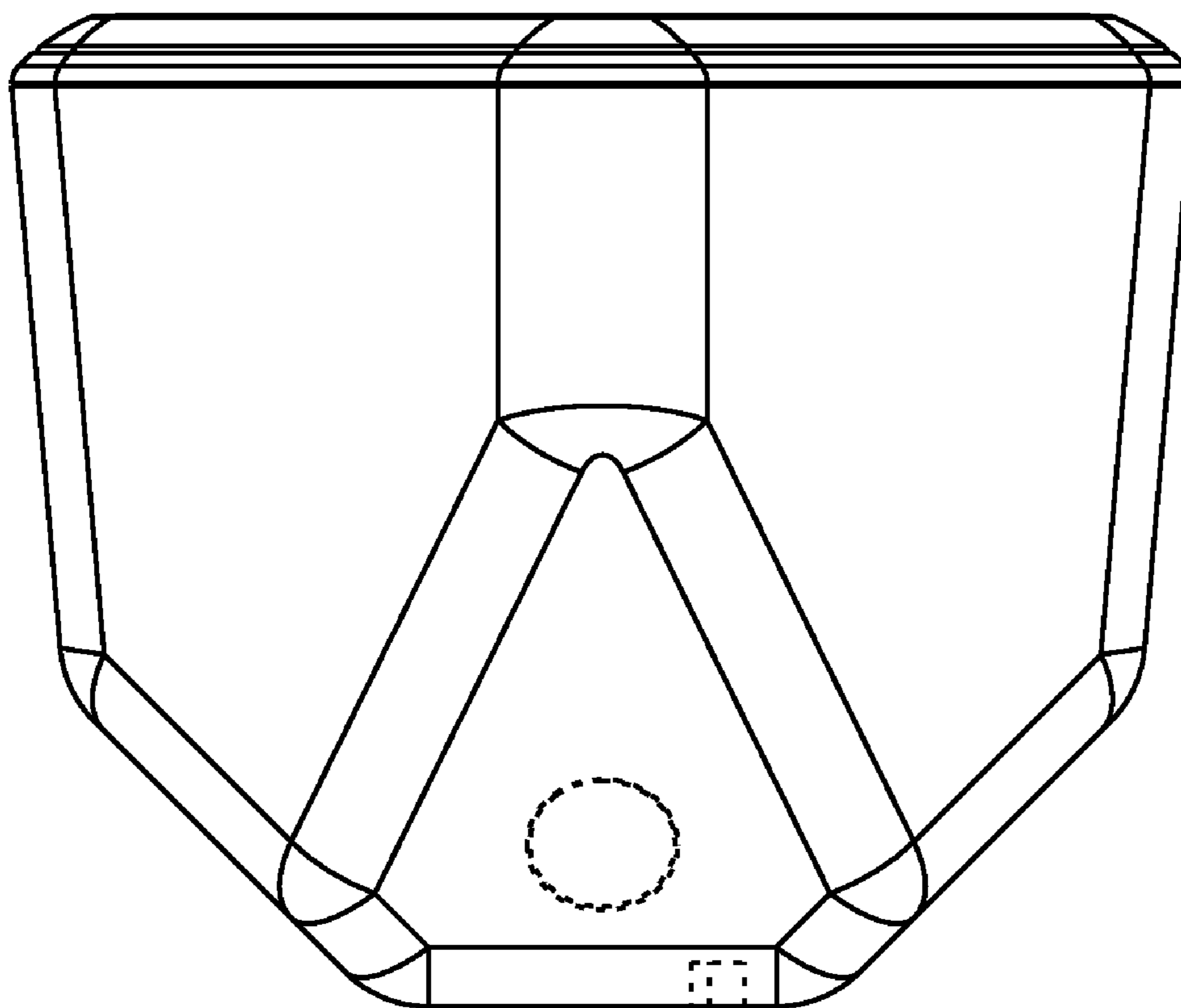


FIG. 7