



US00D588575S

(12) **United States Design Patent**  
**Nousiainen**

(10) **Patent No.:** **US D588,575 S**  
(45) **Date of Patent:** **\*\* Mar. 17, 2009**

(54) **HEADSET**

(75) Inventor: **Esa Nousiainen**, Vantaa (FI)

(73) Assignee: **Nokia Corporation**, Espoo (FI)

(\*\*) Term: **14 Years**

(21) Appl. No.: **29/306,961**

(22) Filed: **Apr. 18, 2008**

(51) **LOC (9) Cl.** ..... **14-01**

(52) **U.S. Cl.** ..... **D14/205; D14/223**

(58) **Field of Classification Search** ..... D14/138,  
D14/174, 188, 192, 205, 206, 223, 217, 218,  
D14/219; 181/129, 130; 379/430, 433.01,  
379/433.02, 433.03, 434; 381/370, 380,  
381/381, 374; 455/575.1, 575.2, 569.1, 90.3;  
D13/173, 174, 158, 168; D10/106  
See application file for complete search history.

(56) **References Cited**

**U.S. PATENT DOCUMENTS**

D306,853 S *	3/1990	Mayo et al. ....	D13/168
D451,076 S *	11/2001	Sommer et al. ....	D13/168
D478,893 S *	8/2003	Corander ....	D14/218
D509,211 S *	9/2005	Han et al. ....	D14/205
D533,540 S *	12/2006	Murray ....	D14/205
D538,271 S *	3/2007	Kim et al. ....	D14/223
D553,613 S *	10/2007	Sade et al. ....	D14/223
D555,150 S *	11/2007	Christopher et al. ....	D14/223
D559,836 S *	1/2008	Lee ....	D14/223
D566,108 S *	4/2008	Kan ....	D14/223

D568,301 S *	5/2008	Kim et al. ....	D14/223
D569,289 S *	5/2008	Bender ....	D10/104
D573,139 S *	7/2008	Birger ....	D14/223
D574,367 S *	8/2008	Jaakkola et al. ....	D14/223
D575,277 S *	8/2008	Gaarde et al. ....	D14/223
D579,924 S *	11/2008	Sade et al. ....	D14/223
D579,925 S *	11/2008	Jaakkola et al. ....	D14/223

\* cited by examiner

*Primary Examiner*—Paula Greene

(74) *Attorney, Agent, or Firm*—Banner & Witcoff, Ltd.

(57) **CLAIM**

The ornamental design for a headset, as shown and described.

**DESCRIPTION**

FIG. 1 is front perspective view of a headset showing my new design;

FIG. 2 is a front view thereof;

FIG. 3 is a rear view thereof;

FIG. 4 is a right side view thereof;

FIG. 5 is a left side view thereof;

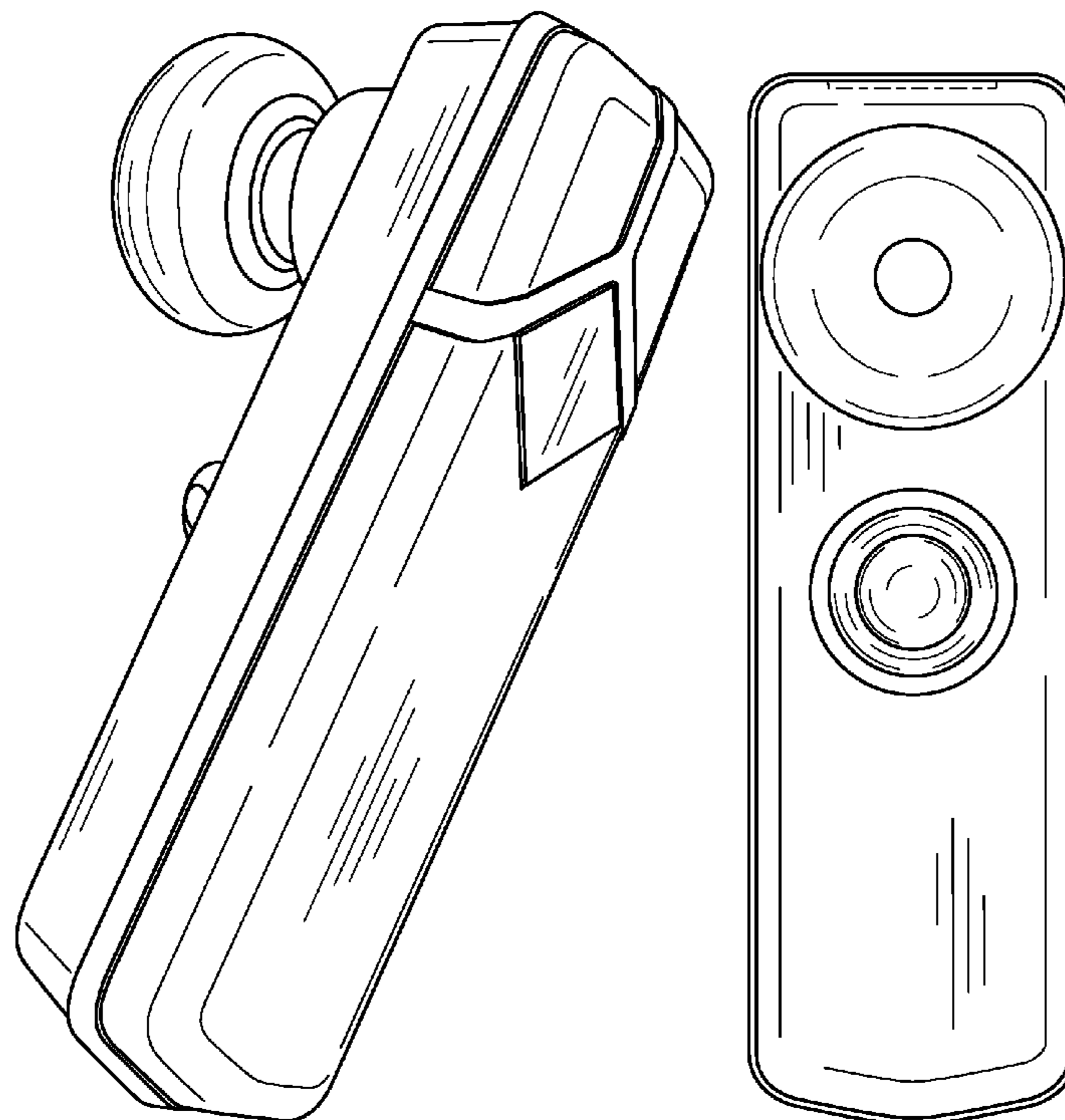
FIG. 6 is a top view thereof;

FIG. 7 is a bottom view thereof; and,

FIG. 8 is a rear perspective view thereof.

The broken line showing of the environmental structures in FIGS. 3, 6, 7, and 8 is for illustrative purposes and defines the bounds of the claimed design and forms no part thereof.

**1 Claim, 5 Drawing Sheets**



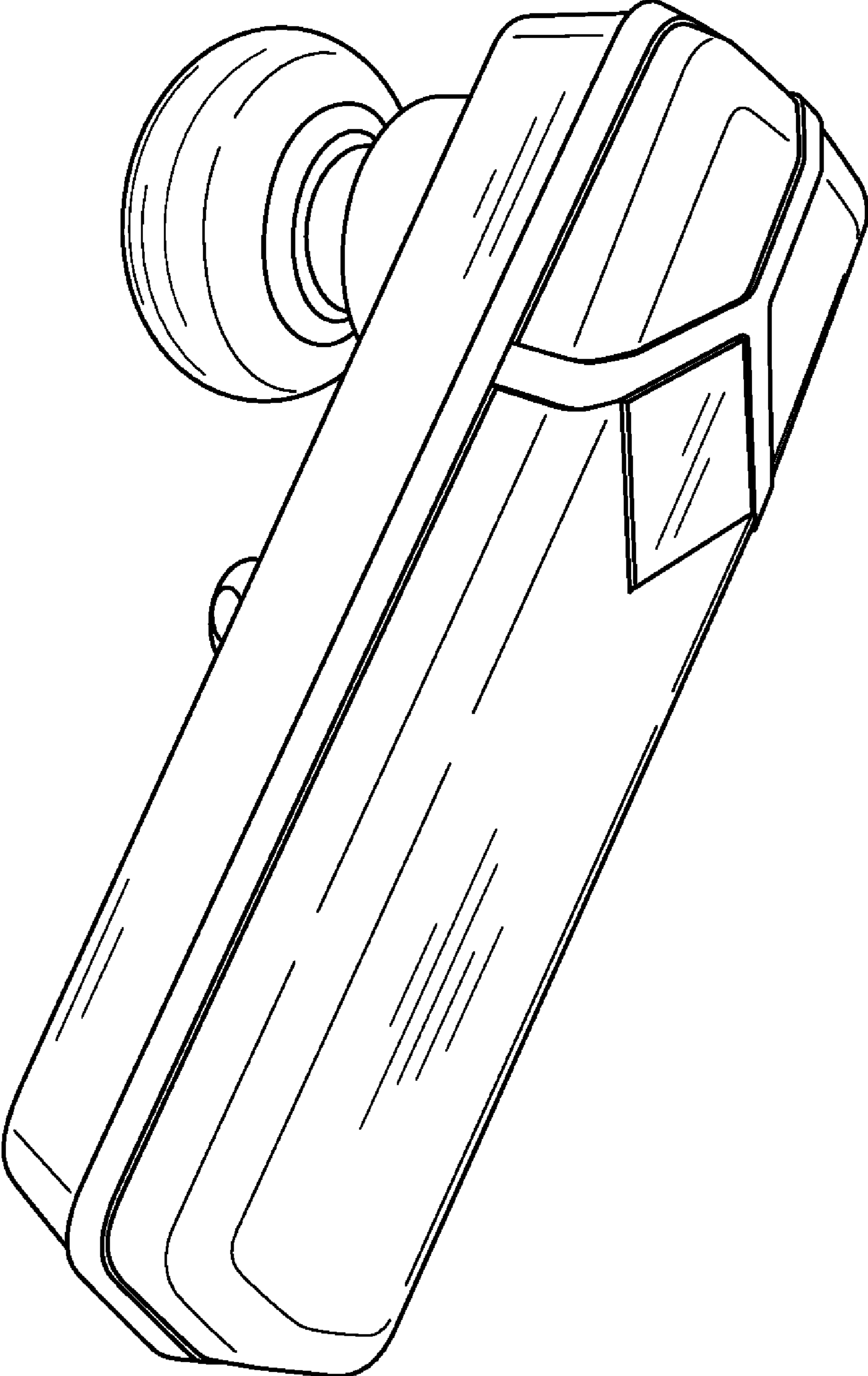


FIG. 1

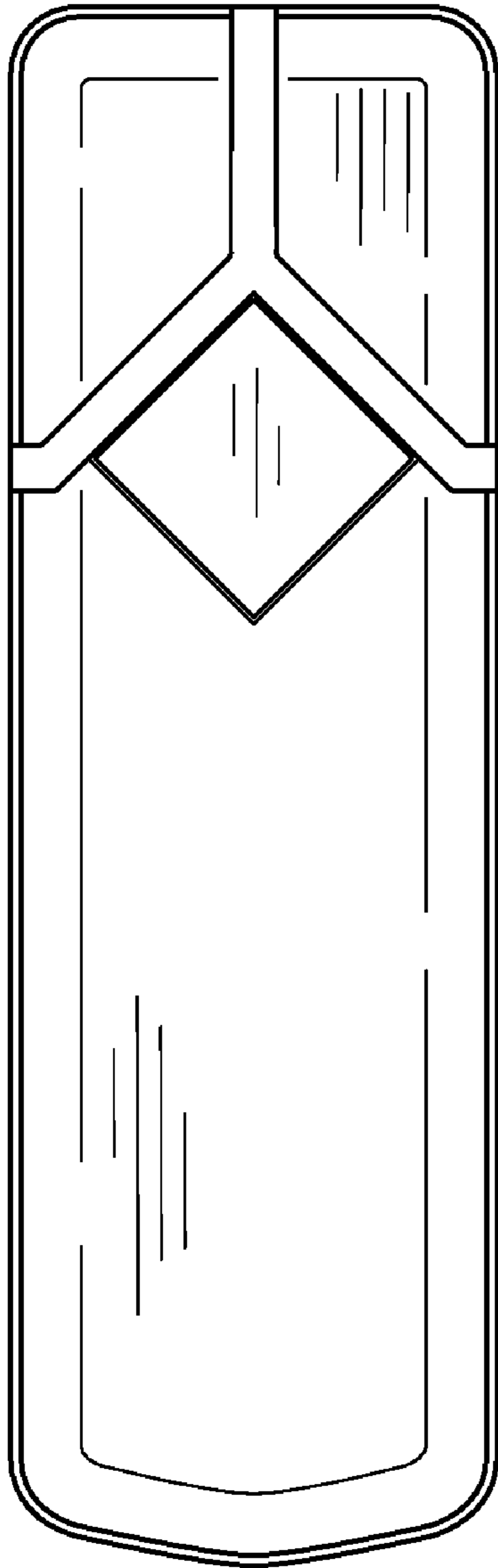


FIG. 2

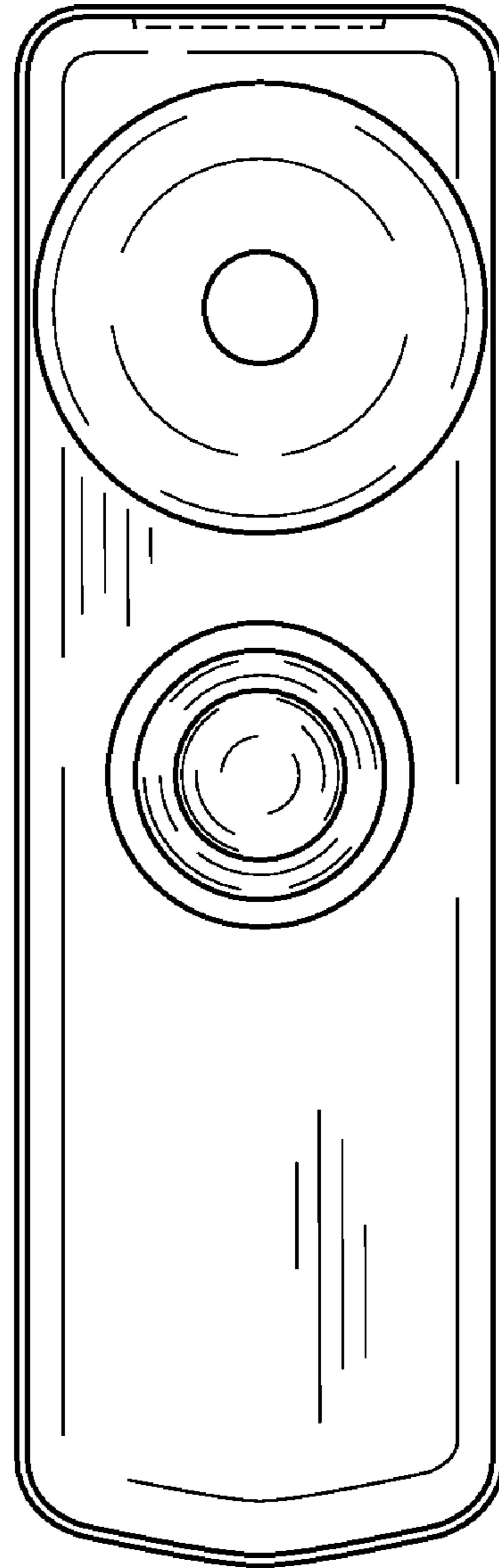


FIG. 3

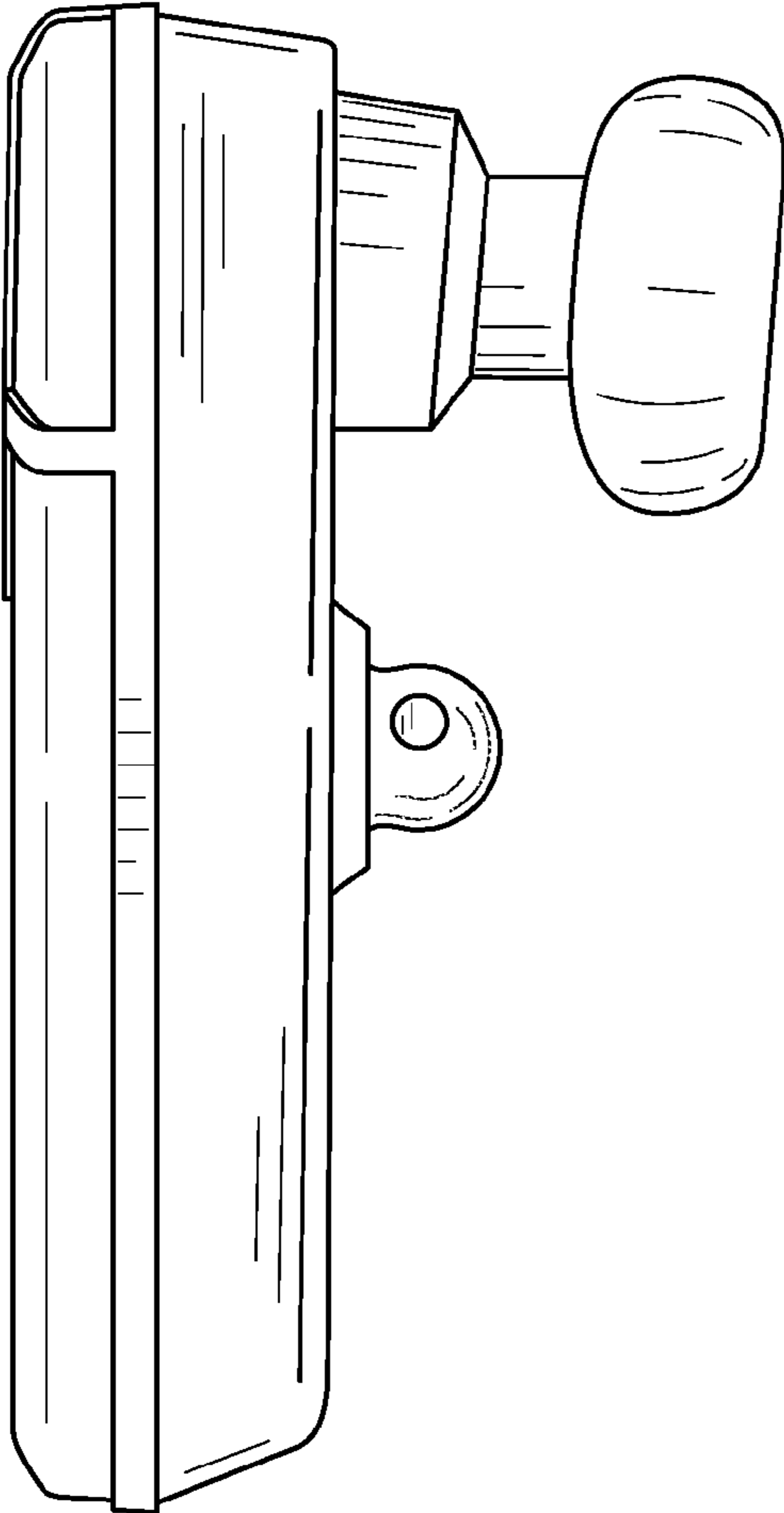


FIG. 4

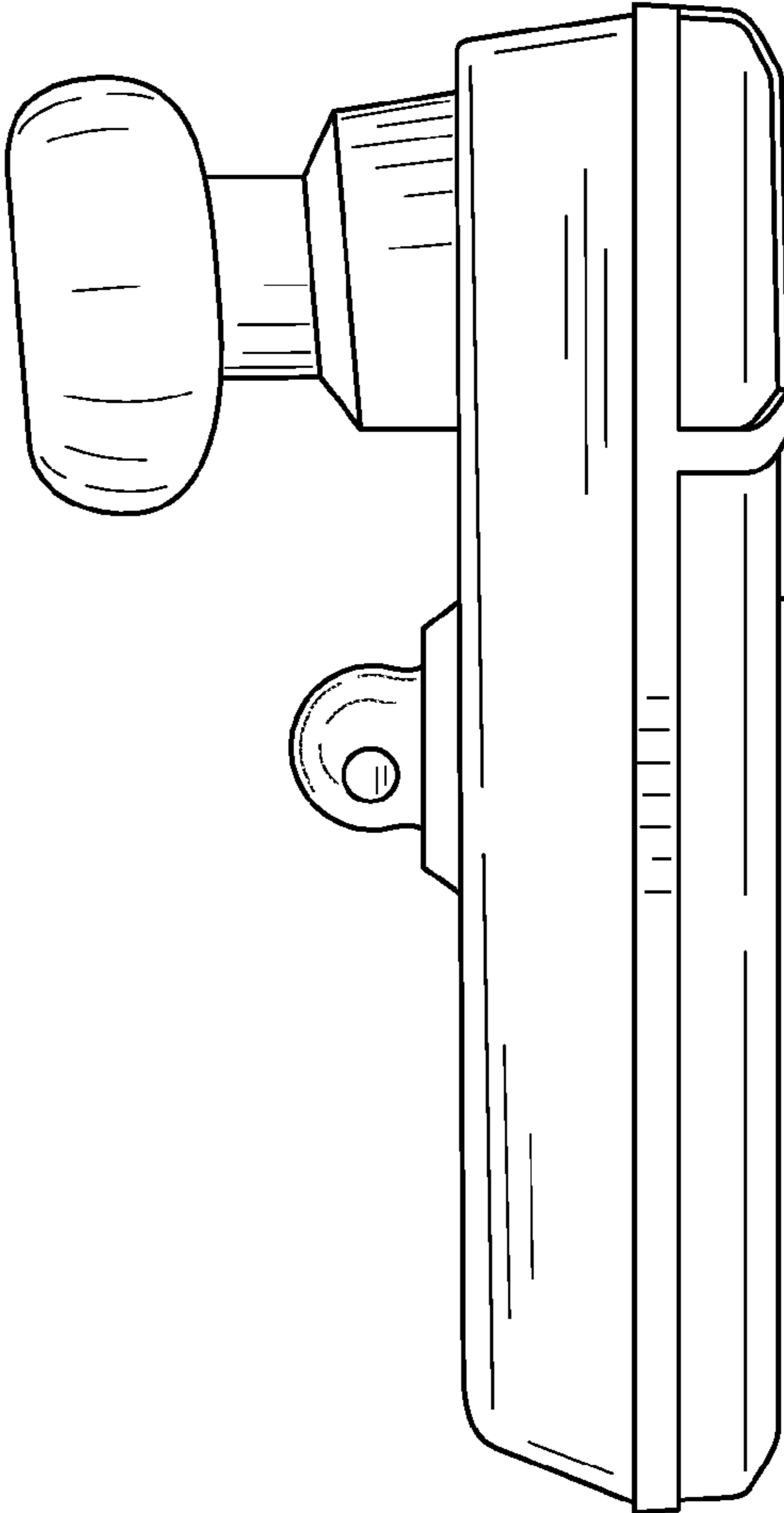


FIG. 5

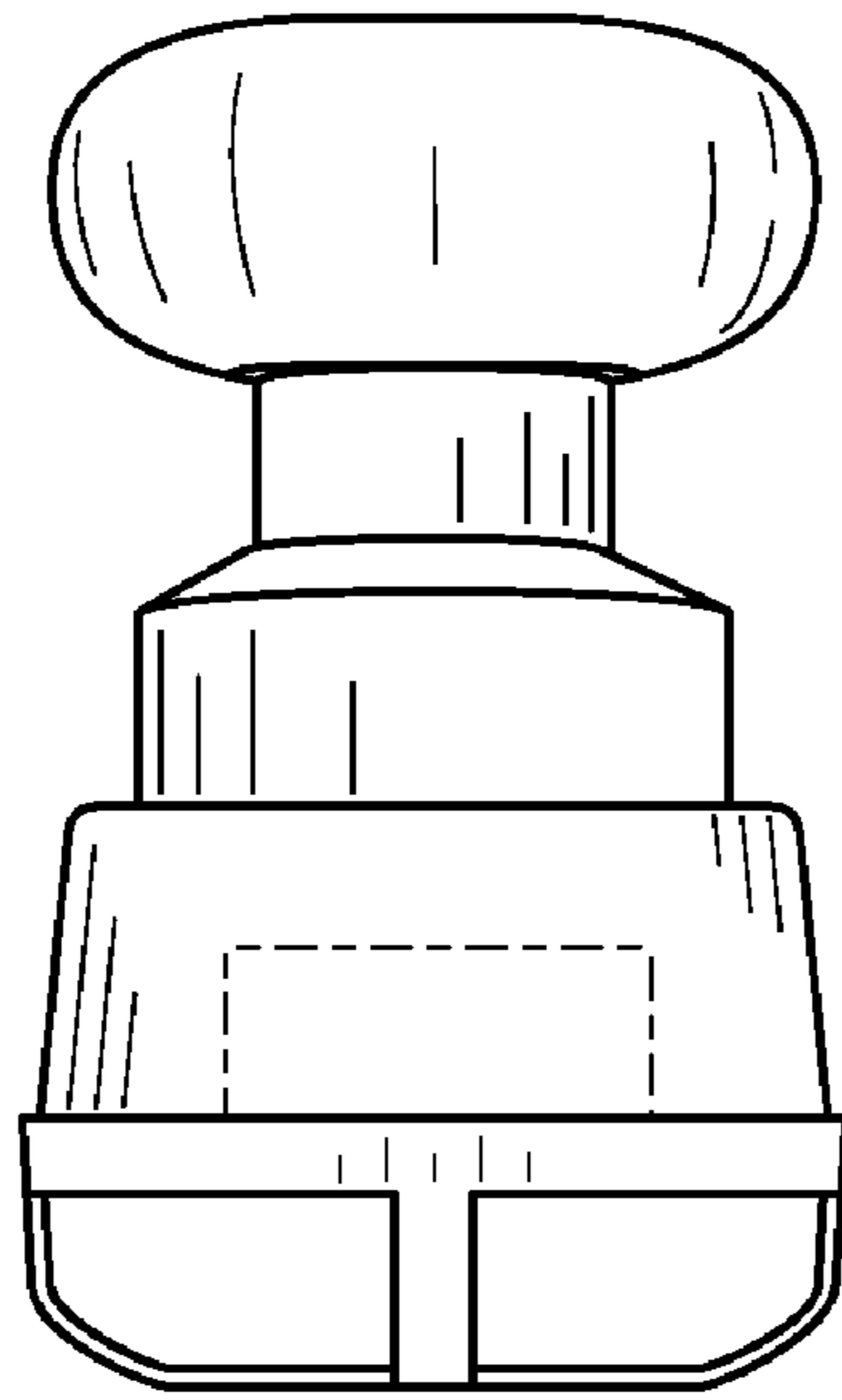


FIG. 6

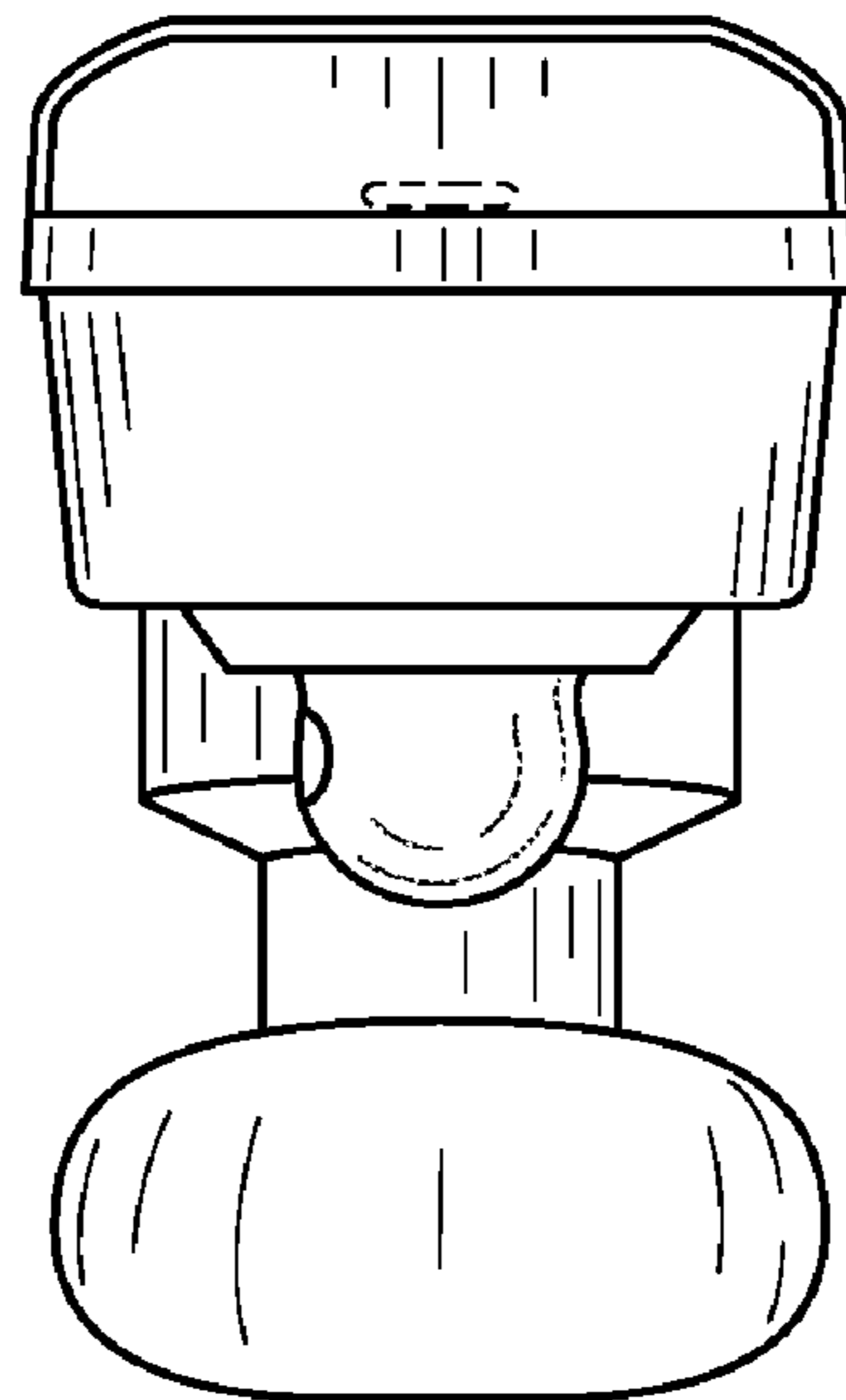
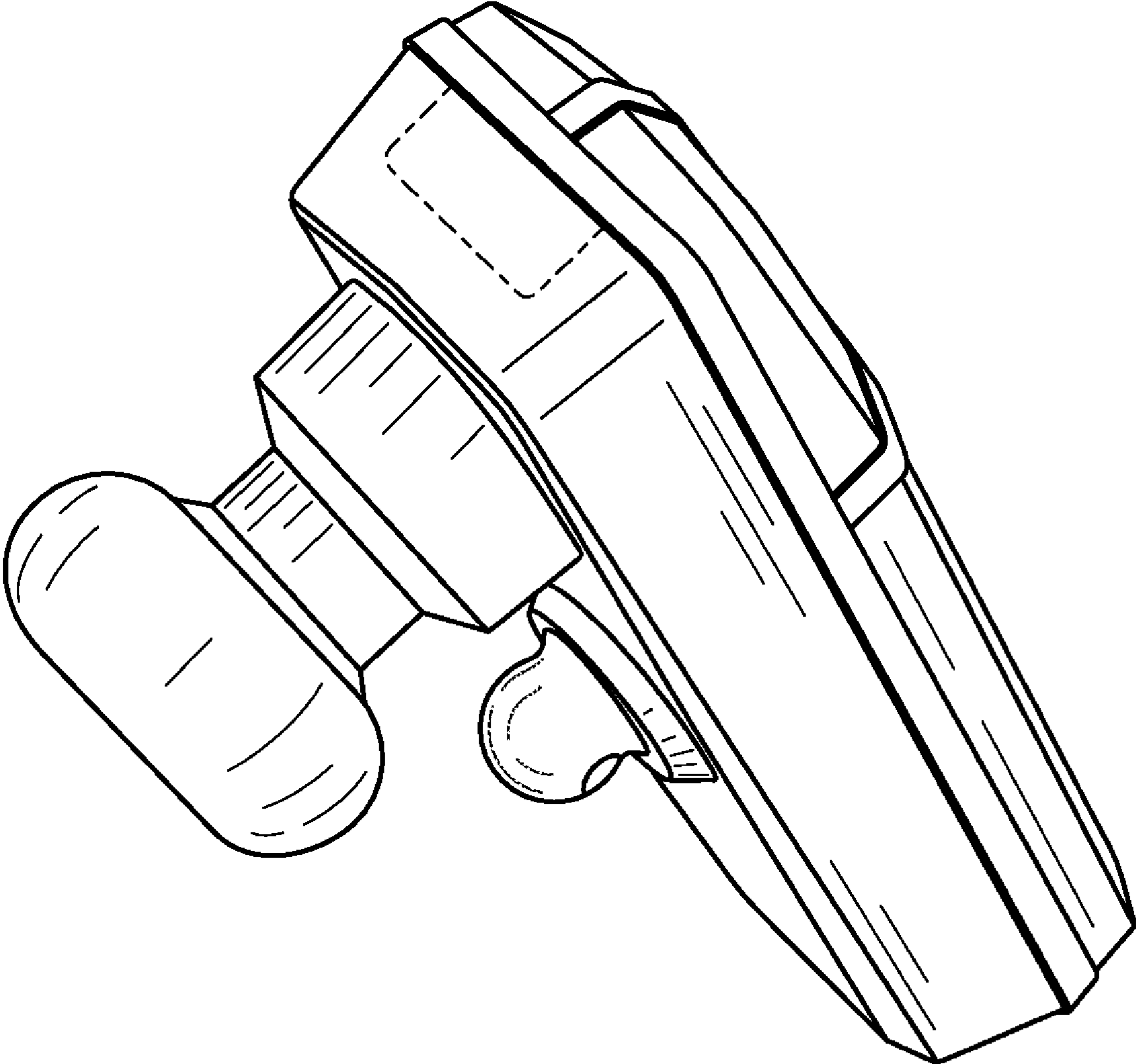


FIG. 7



**FIG. 8**