



US00D588573S

(12) **United States Design Patent**
West et al.

(10) **Patent No.:** **US D588,573 S**

(45) **Date of Patent:** **** *Mar. 17, 2009**

(54) **TELEPHONE**

(75) Inventors: **Richard West**, Hendersonville, TN
(US); **David Render**, Belleville (CA);
Herbert Walter Bentz, Surrey (CA);
Alexander Jeffrey Feldman, Vancouver
(CA); **Brian Giesbrecht**, Vancouver
(CA); **Robbie Gordon Roberts**, Port
Moody (CA)

(73) Assignee: **Nortel Networks Limited**, St. Laurent,
Quebec (CA)

(*) Notice: This patent is subject to a terminal dis-
claimer.

(**) Term: **14 Years**

(21) Appl. No.: **29/244,057**

(22) Filed: **Dec. 5, 2005**

(51) **LOC (9) Cl.** **14-03**

(52) **U.S. Cl.** **D14/151**

(58) **Field of Classification Search** D14/125-130,
D14/137, 140-142, 144, 146-151, 158-159,
D14/171, 188, 225-226, 240, 243, 250-253,
D14/329-330, 357, 434, 471, 496; 379/88.17,
379/90.01, 93.17, 387.01, 388.02, 419-420.04,
379/428.01-428.04, 434-436, 440, 446-447,
379/454-455; 381/16, 71.1; D13/107-108;
191/12.2 R; 320/108, 110, 113-115; 455/411,
455/550.1-90.3; 348/14.01-14.06

See application file for complete search history.

(56) **References Cited**

U.S. PATENT DOCUMENTS

D206,590 S * 1/1967 Haggstrom D13/108
D227,117 S * 6/1973 Breger D14/251
D313,221 S * 12/1990 Skully et al. D13/108
D318,276 S * 7/1991 Fuqua et al. D14/151
D321,885 S * 11/1991 Sheldrake D14/253
D325,576 S * 4/1992 Pitkonen D14/138

5,121,427 A * 6/1992 Gumb et al. 379/435
D362,249 S * 9/1995 Burstedt et al. D14/138
D366,484 S * 1/1996 Levin D14/151
D368,091 S * 3/1996 Yoshihiko et al. D14/151
D375,094 S * 10/1996 Toh D14/151
D387,056 S * 12/1997 Yoneyama D14/151
5,961,016 A * 10/1999 Hartmann et al. 224/571
6,038,314 A * 3/2000 Dynie et al. 379/435
D427,985 S * 7/2000 Takayama et al. D14/151
D433,991 S * 11/2000 Buchin et al. D13/108

(Continued)

OTHER PUBLICATIONS

Siemens Gigaset S45, <URL:http://www.101phones.com/details/
2599-946/Siemens-Extra-Handsets-Chargers-S45.html>, retrieved
from internet Feb. 26, 2008.*

(Continued)

Primary Examiner—Ian Simmons
Assistant Examiner—Carla Jobe Wright

(57) **CLAIM**

The ornamental design for a telephone, as shown and
described.

DESCRIPTION

FIG. 1 is a top, front, and right side perspective view of a
telephone showing our new design;
FIG. 2 is a front view thereof;
FIG. 3 is a rear view thereof;
FIG. 4 is a right side view thereof;
FIG. 5 is a left sided view thereof;
FIG. 6 is a top view thereof; and,
FIG. 7 is a bottom view thereof.

The broken line showing of environmental structures is for
illustrative purposes only and forms no part of the claimed
design.

1 Claim, 7 Drawing Sheets



U.S. PATENT DOCUMENTS

D451,486 S * 12/2001 Sekiguchi D14/151
D459,332 S * 6/2002 Peiker D14/147
6,438,229 B1 * 8/2002 Overy et al. 379/446
D463,390 S * 9/2002 Shen et al. D14/151
6,445,793 B1 * 9/2002 Vassallo et al. 379/428.01
D468,685 S * 1/2003 Jacobs et al. D13/107
D482,342 S * 11/2003 Weidinger D14/151
D487,435 S * 3/2004 Huang et al. D14/130
D490,394 S * 5/2004 Taniguchi et al. D14/151
D499,078 S * 11/2004 Abe et al. D14/151
D530,701 S * 10/2006 West et al. D14/151
7,216,401 B2 * 5/2007 Bae 16/324
D556,181 S * 11/2007 Liu D14/151
D558,181 S * 12/2007 Takada et al. D14/151

2004/0234071 A1* 11/2004 Bae et al. 379/419
2005/0069126 A1* 3/2005 Xue 379/454

OTHER PUBLICATIONS

IP Phone 1140E, <URL:http://products.nortel.com/go/product_content.jsp?parId=0&segId=0&catId=9789&prod_id=54860&locale=en-US>, retrieved from internet Feb 26, 2008.*
AT&T 983, <URL:<http://www.101phones.com/details/4573-5023/ATT-2-Line-Corded-Phones-983.html>>, retrieved from internet May 19, 2008.*
General Electric 29897GE2, <URL:<http://www.101phones.com/details/4383-1113/General-Electric-RCA-Desktop-Corded-Phones-29897GE2.html>>, retrieved from internet May 19, 2008.*

* cited by examiner



FIG. 1

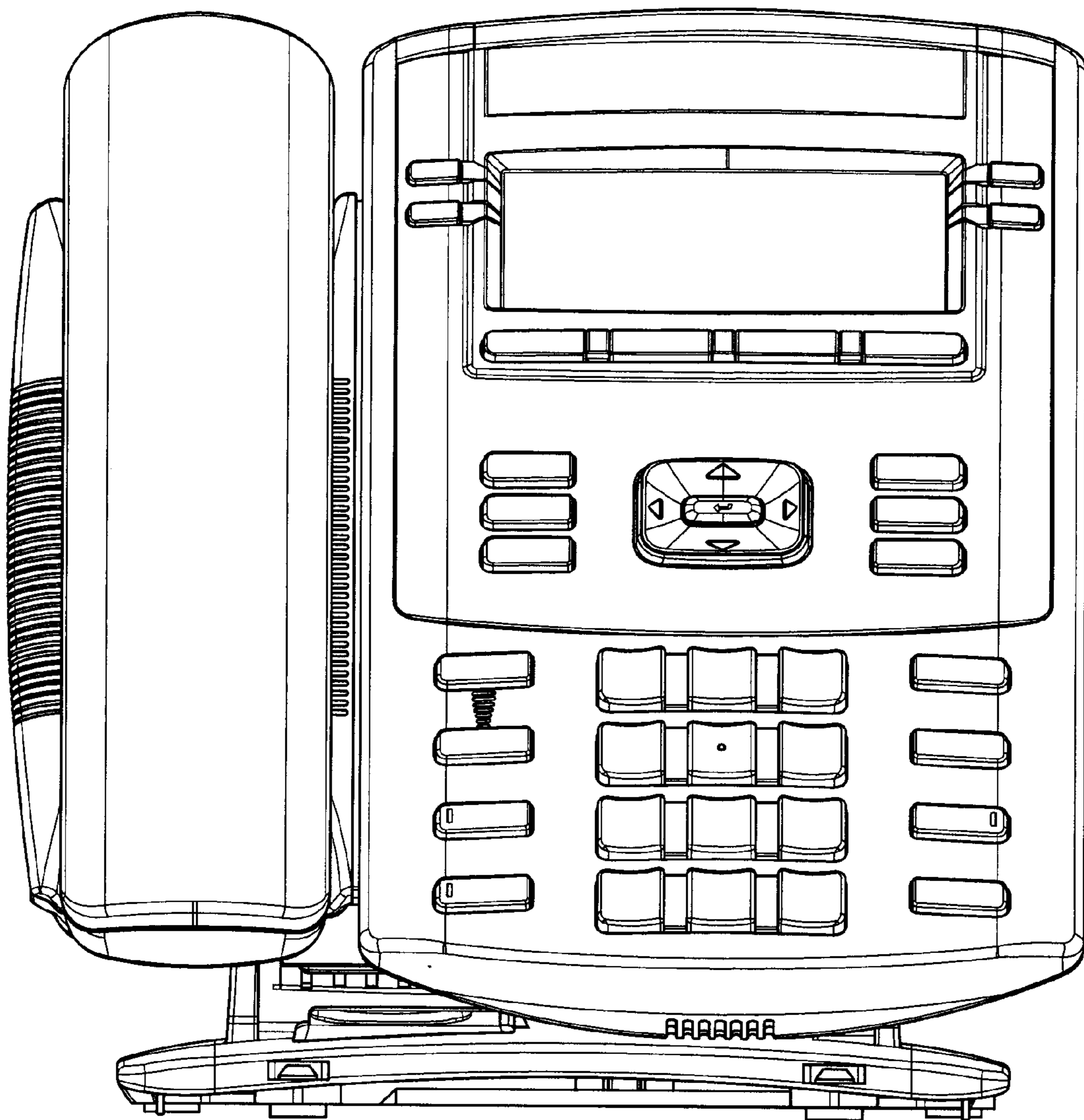


FIG. 2

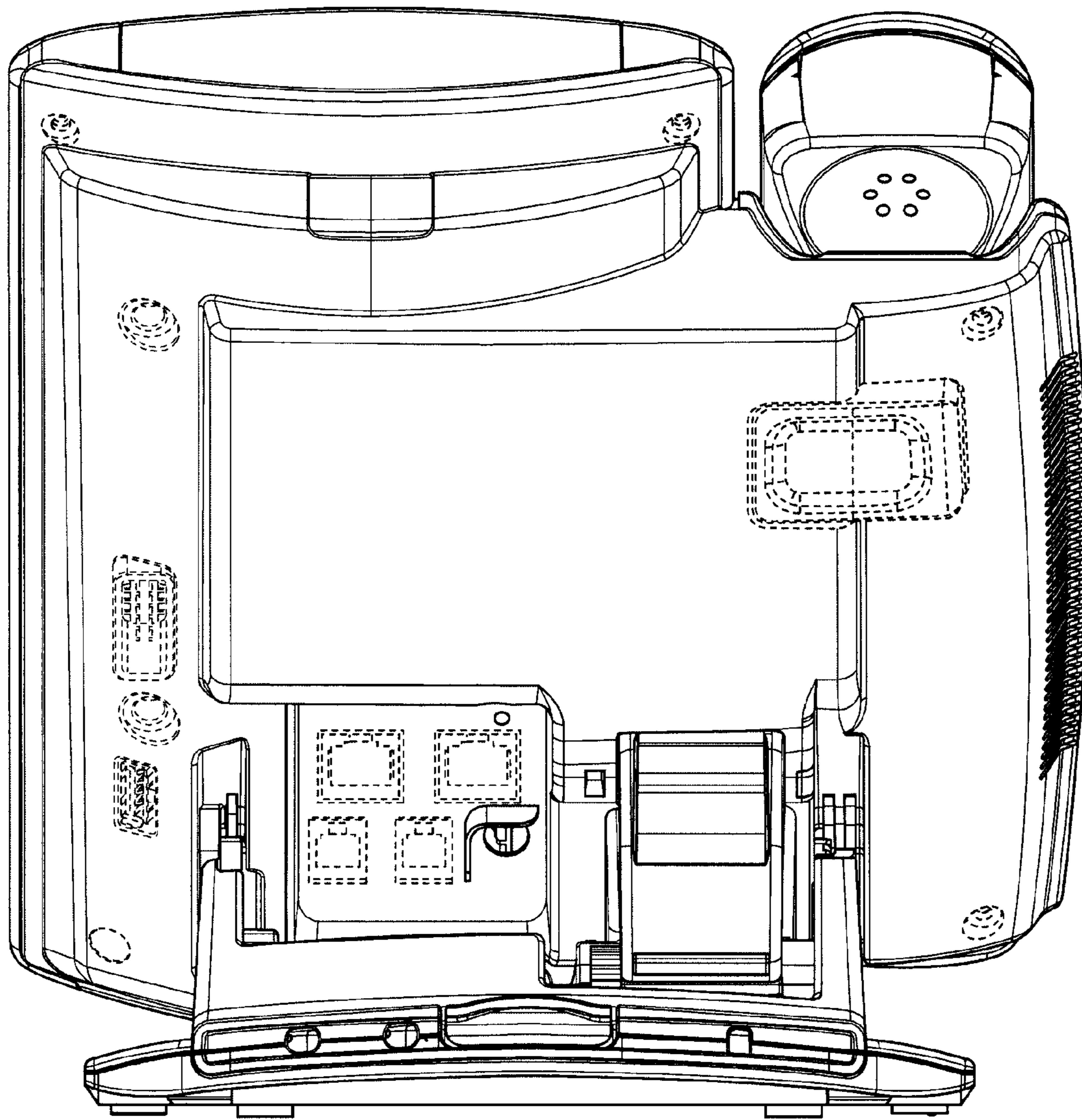


FIG. 3

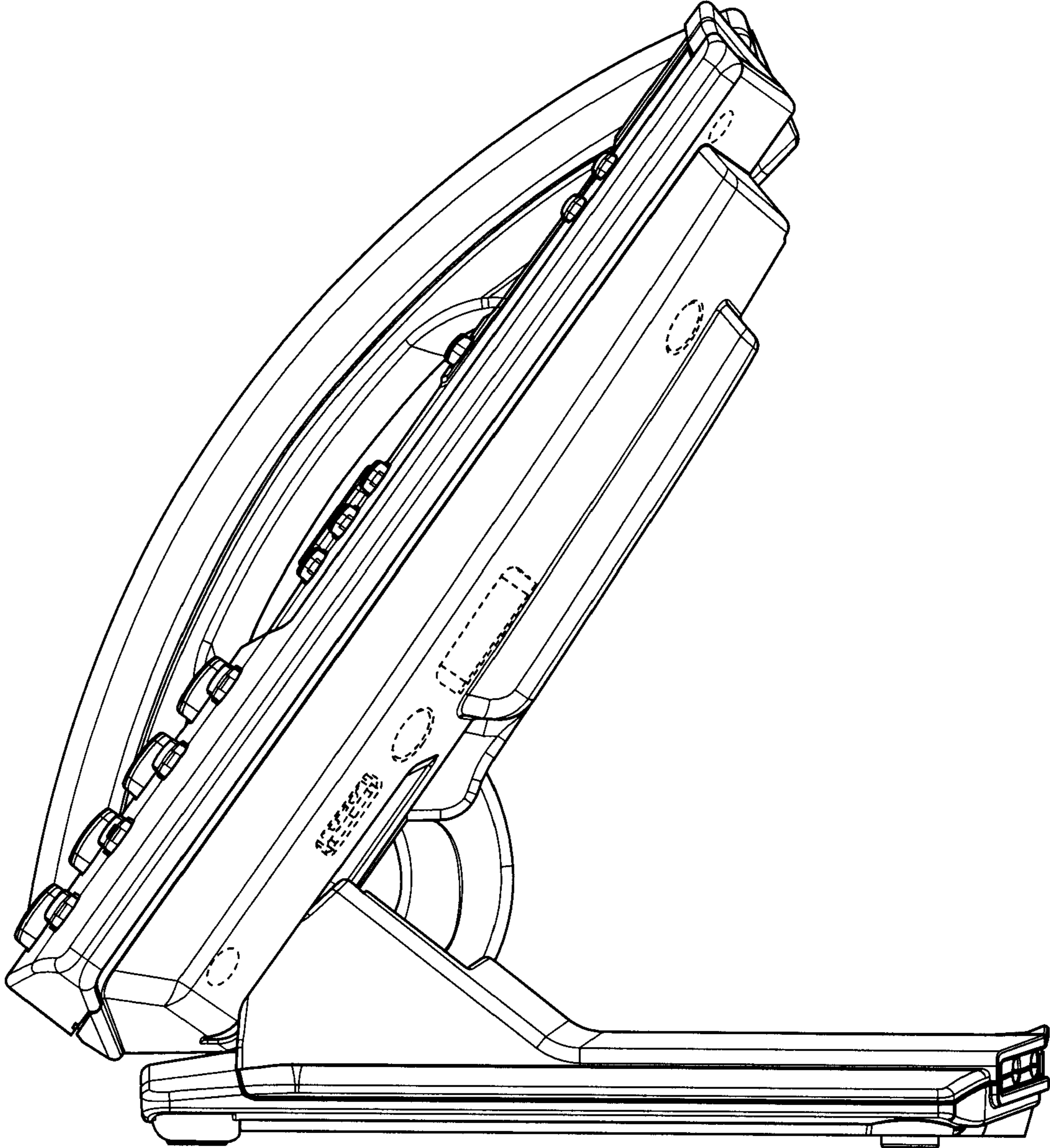


FIG. 4

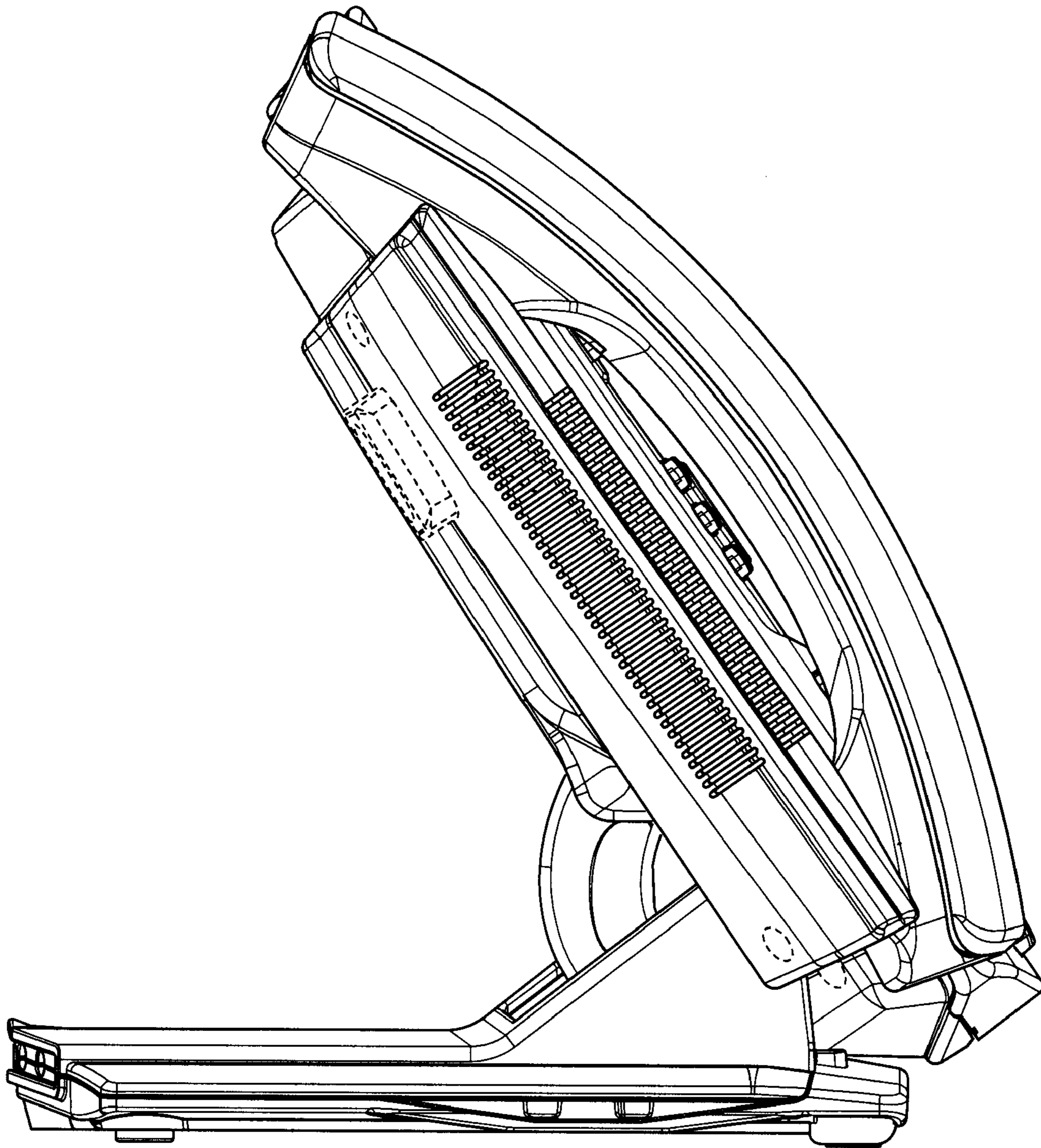


FIG. 5

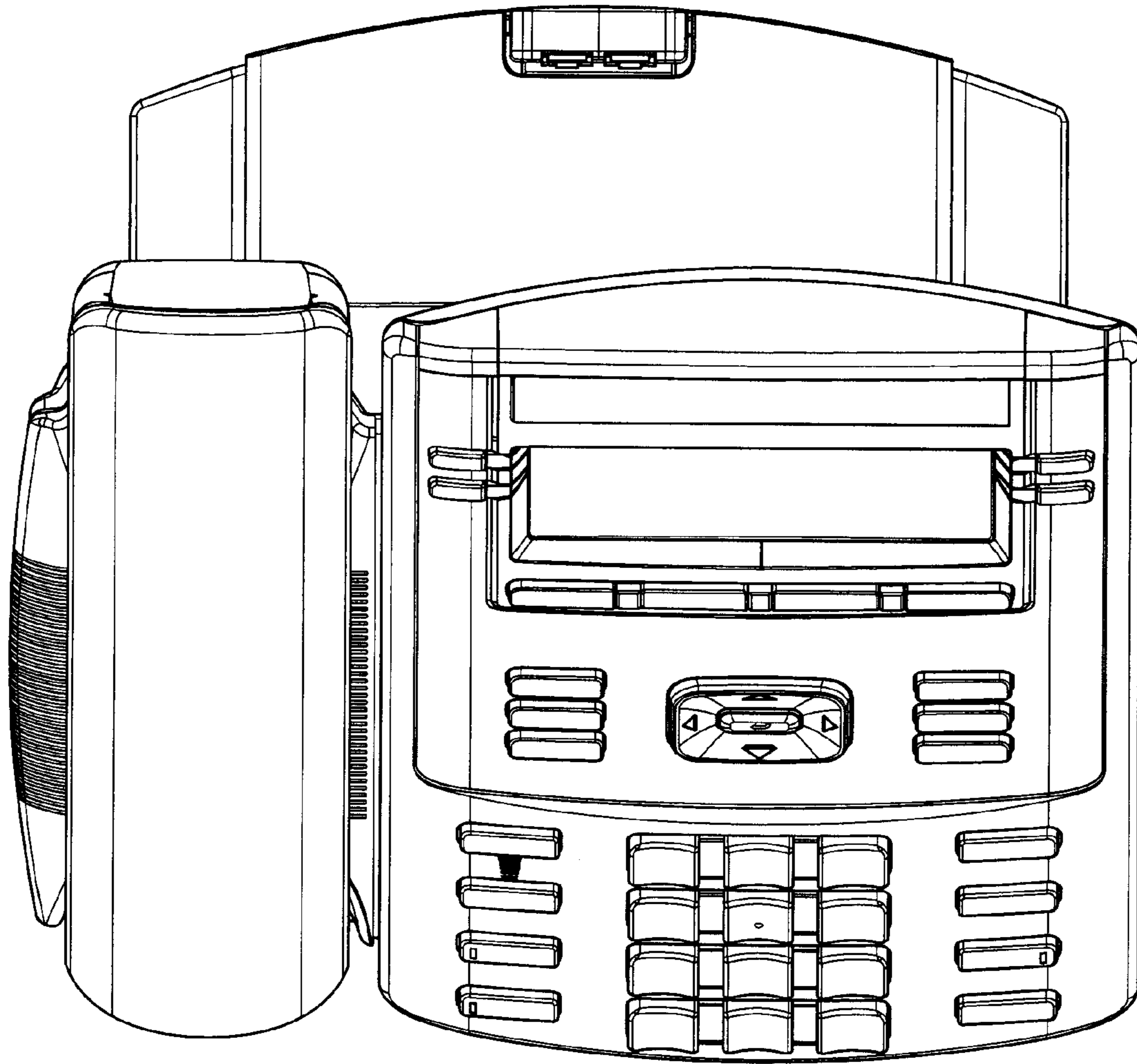


FIG. 6

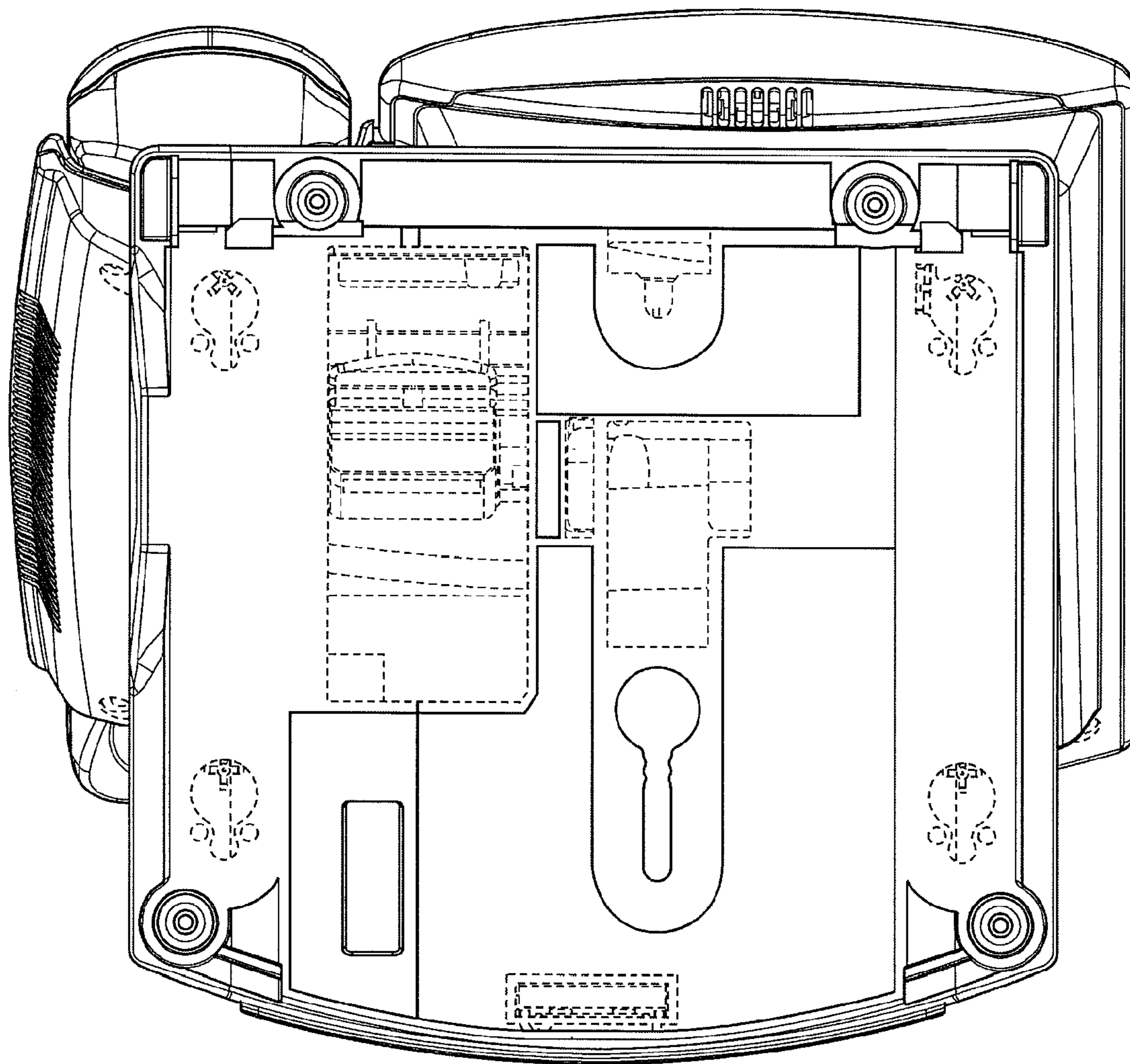


FIG. 7