



US00D588569S

(12) **United States Design Patent**
Tompkin

(10) **Patent No.:** **US D588,569 S**

(45) **Date of Patent:** **** Mar. 17, 2009**

(54) **HANDSET**

(75) **Inventor:** **Crispian Tompkin**, Los Angeles, CA
(US)

(73) **Assignee:** **Nokia Corporation**, Espoo (FI)

(**) **Term:** **14 Years**

(21) **Appl. No.:** **29/305,445**

(22) **Filed:** **Mar. 20, 2008**

(51) **LOC (9) Cl.** **14-03**

(52) **U.S. Cl.** **D14/138 AB**

(58) **Field of Classification Search** D14/138 AB,
D14/138 AA, 496, 341-347, 247, 455-456,
D14/218; 455/575.3, 575.1

See application file for complete search history.

(56) **References Cited**

U.S. PATENT DOCUMENTS

D507,551 S *	7/2005	Kim et al.	D14/138 AB
6,975,273 B1 *	12/2005	Choi	343/702
D536,320 S *	2/2007	Michaels	D14/138 AB
D543,172 S *	5/2007	Lee et al.	D14/138 AB
D545,795 S *	7/2007	Kim et al.	D14/138 AB
7,269,443 B2 *	9/2007	Park et al.	455/556.2
D554,632 S *	11/2007	Woodley et al.	D14/247
D559,828 S *	1/2008	Iwai	D14/147
D560,637 S *	1/2008	Yang et al.	D14/138 AB
D560,643 S *	1/2008	Kim et al.	D14/138 AB
D561,149 S *	2/2008	Park et al.	D14/138 AB
D561,151 S *	2/2008	Kim et al.	D14/138 AB
D561,719 S *	2/2008	Cho	D14/138 AB
D563,376 S *	3/2008	Arnholt et al.	D14/138 AB
D563,924 S *	3/2008	Arnold et al.	D14/138 AB
D564,481 S *	3/2008	Su	D14/138 AB
D570,342 S *	6/2008	Arnholt et al.	D14/247
D571,345 S *	6/2008	Kim et al.	D14/138
D572,690 S *	7/2008	Kim et al.	D14/138

D576,600 S *	9/2008	Kim et al.	D14/138 AB
D576,984 S *	9/2008	Park et al.	D14/138 AB
D578,499 S *	10/2008	Park et al.	D14/138 AB
D578,504 S *	10/2008	Stillerman	D14/138 AB
D578,979 S *	10/2008	Choi et al.	D14/138 R
D578,981 S *	10/2008	Park et al.	D14/138 R
2003/0153282 A1 *	8/2003	Sun et al.	455/90
2006/0019728 A1 *	1/2006	Sakamoto et al.	455/575.3
2006/0094482 A1 *	5/2006	Takagi	455/575.3
2006/0135225 A1 *	6/2006	Lin et al.	455/575.3

OTHER PUBLICATIONS

Nokia 6600 fold telephone, announced Jun. 2008, [online], [site visited Nov. 4, 2008]. Available from Internet ,<URL: <http://www.gsmarena.com>>.*

Samsung B300 telephone, announced Jun. 2008, [online], [site visited Nov. 4, 2008]. Available from Internet ,<URL: <http://www.gsmarena.com>>.*

(Continued)

Primary Examiner—Jeffrey D Asch

(74) *Attorney, Agent, or Firm*—Banner & Witcoff, Ltd.

(57)

CLAIM

The ornamental design for a handset, as shown and described.

DESCRIPTION

FIG. 1 is a front perspective view of a handset showing my new design;

FIG. 2 is a front view thereof;

FIG. 3 is a rear view thereof;

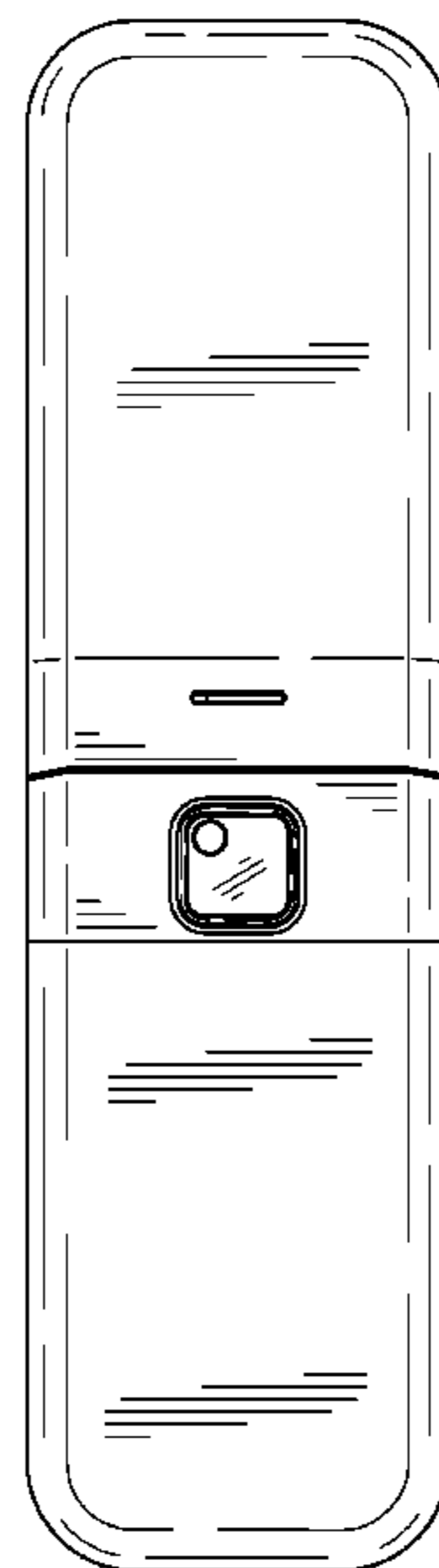
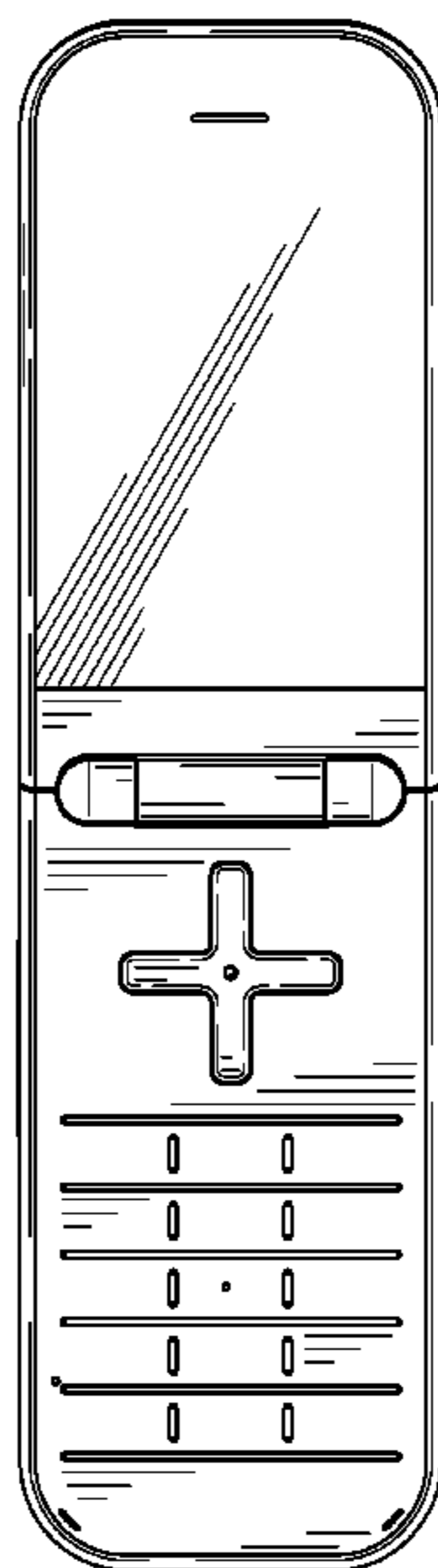
FIG. 4 is a right side view thereof;

FIG. 5 is a left side view thereof;

FIG. 6 is a top view thereof; and,

FIG. 7 is a bottom view thereof.

1 Claim, 4 Drawing Sheets



OTHER PUBLICATIONS

Samsung M310 telephone, announced May 2008, [online], [site visited Nov. 4, 2008]. Available from Internet ,<URL: <http://www.gsmarena.com>>.*

Motorola W270 telephone, announced Jan. 2008, [online], [site visited Nov. 4, 2008]. Available from Internet ,<URL: <http://www.gsmarena.com>>.*

Sony Ericsson Z770 telephone, announced Feb. 2008, [online], [site visited Nov. 4, 2008]. Available from Internet ,<URL: <http://www.gsmarena.com>>.*

LG KF300 telephone, announced Apr. 2008, [online], [site visited Nov. 4, 2008]. Available from Internet ,<URL: <http://www.gsmarena.com>>.*

Alcatel OT-S850 telephone, announced 2nd quarter 2005, [online], [site visited Nov. 4, 2008]. Available from Internet ,<URL: <http://www.gsmarena.com>>.*

Nokia Model #N78, Nokia Corporation, 1 color sheet of photographs, disclosed on or about Feb. 2008.

* cited by examiner

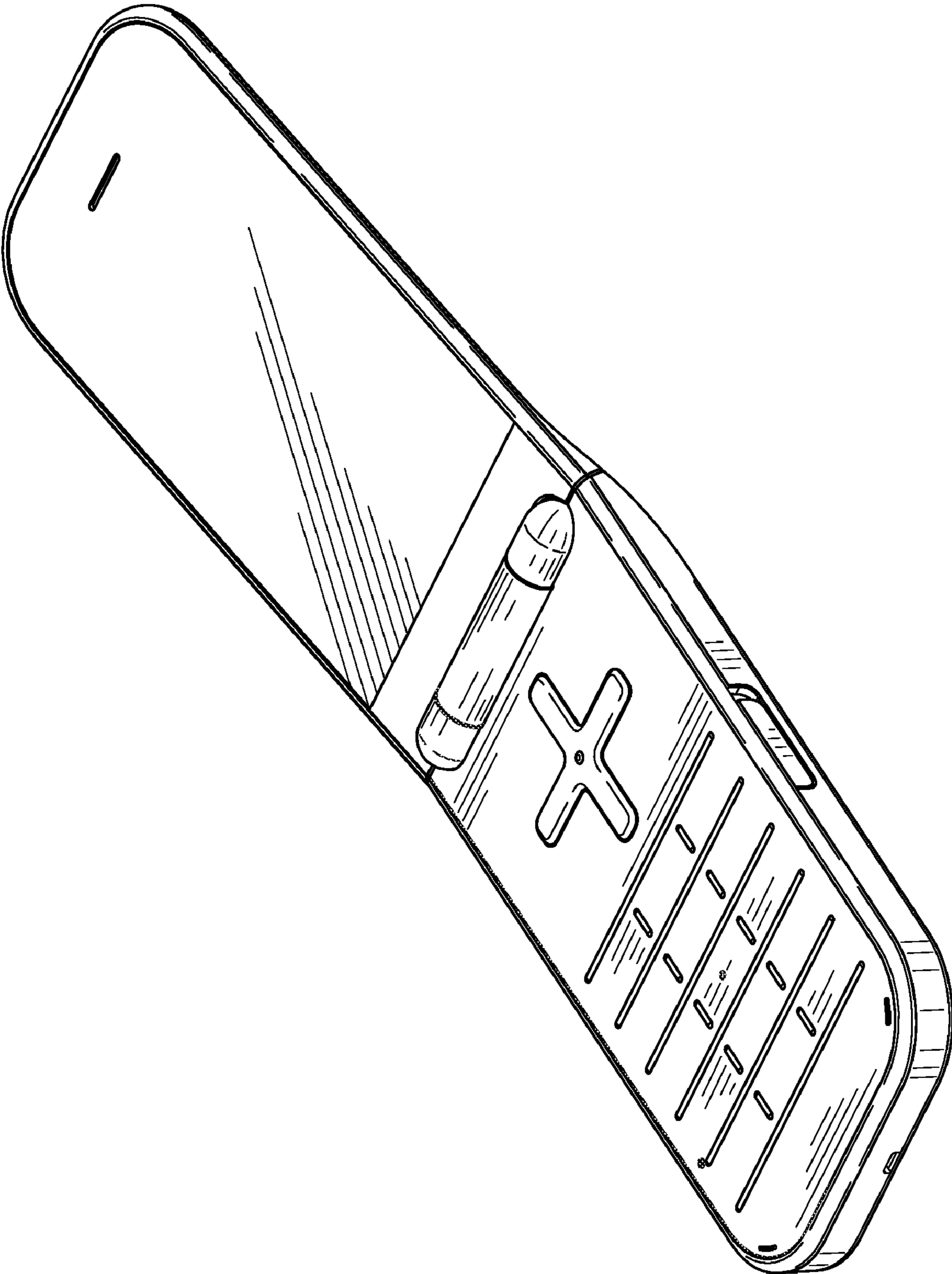


FIG. 1

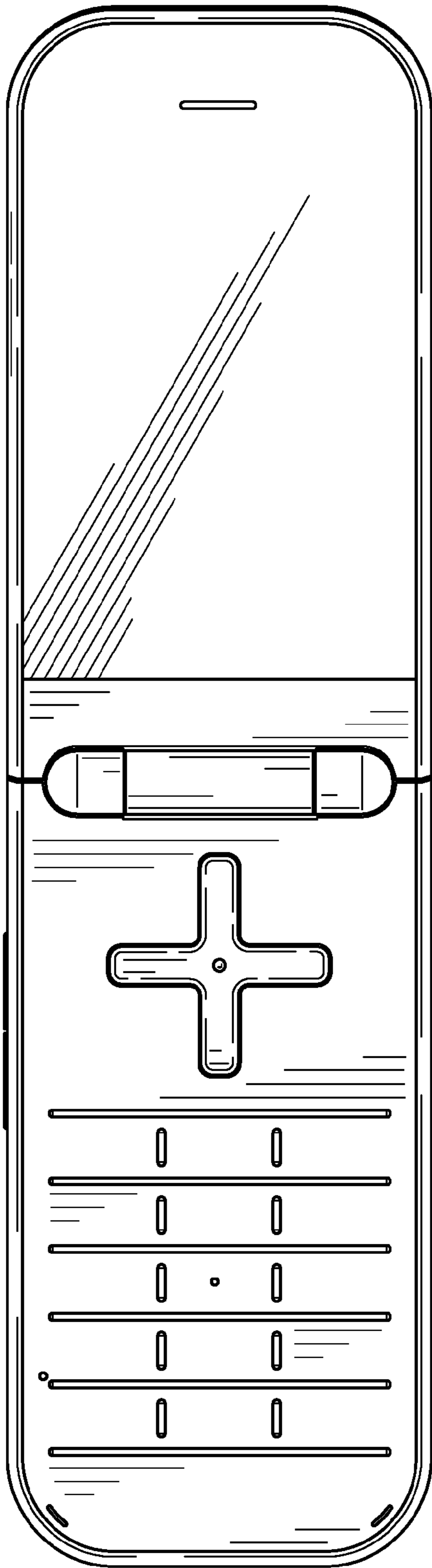


FIG. 2

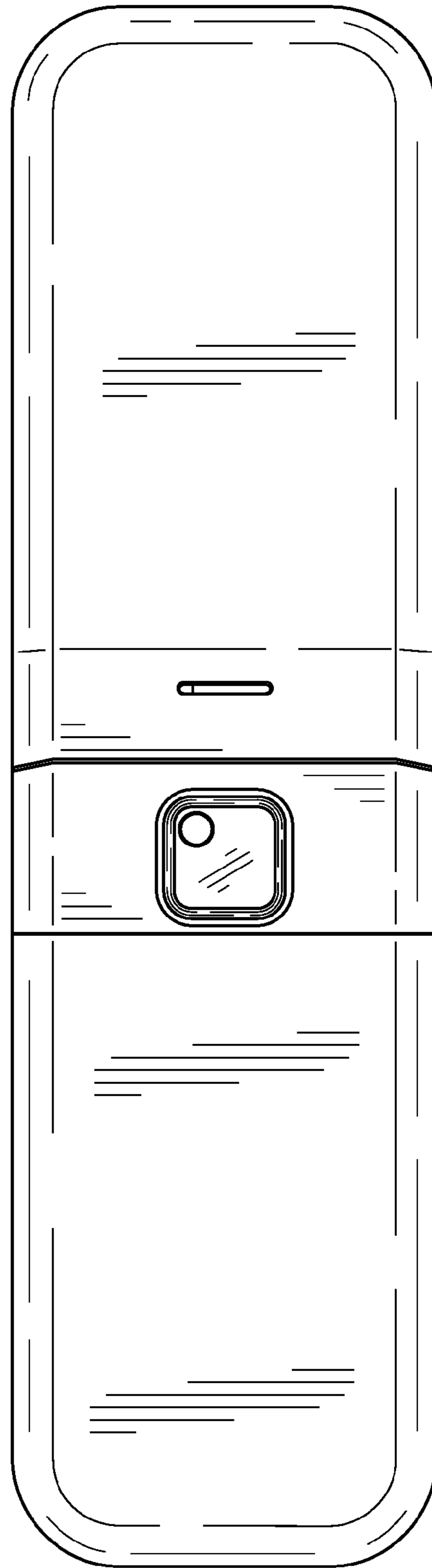


FIG. 3

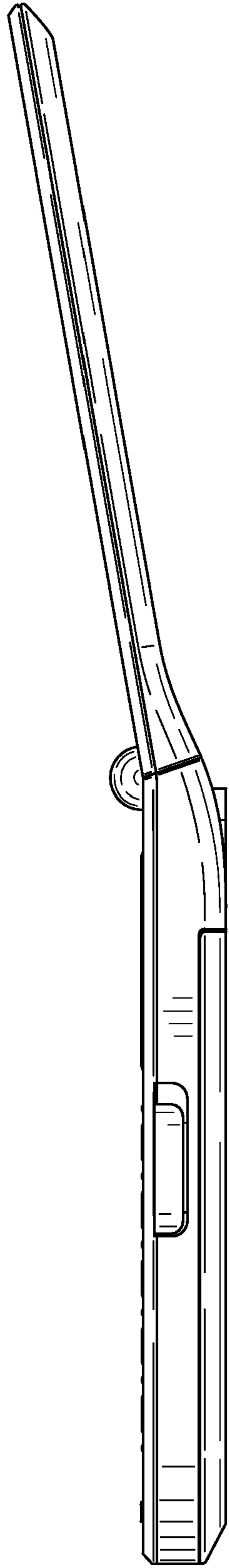


FIG. 4

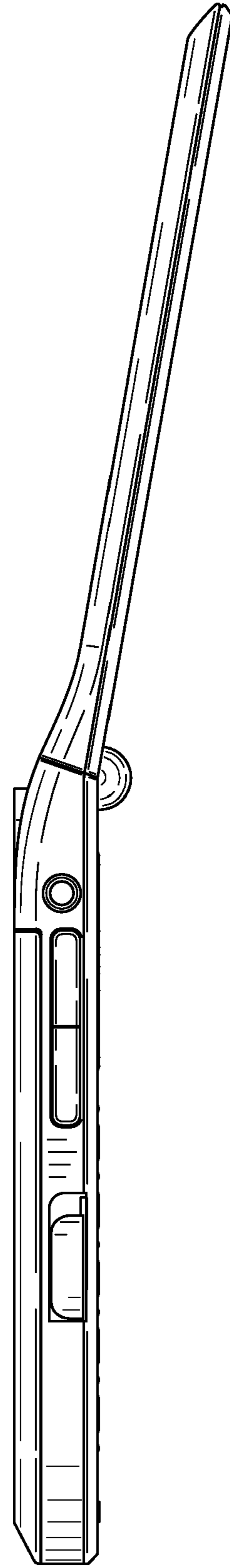


FIG. 5

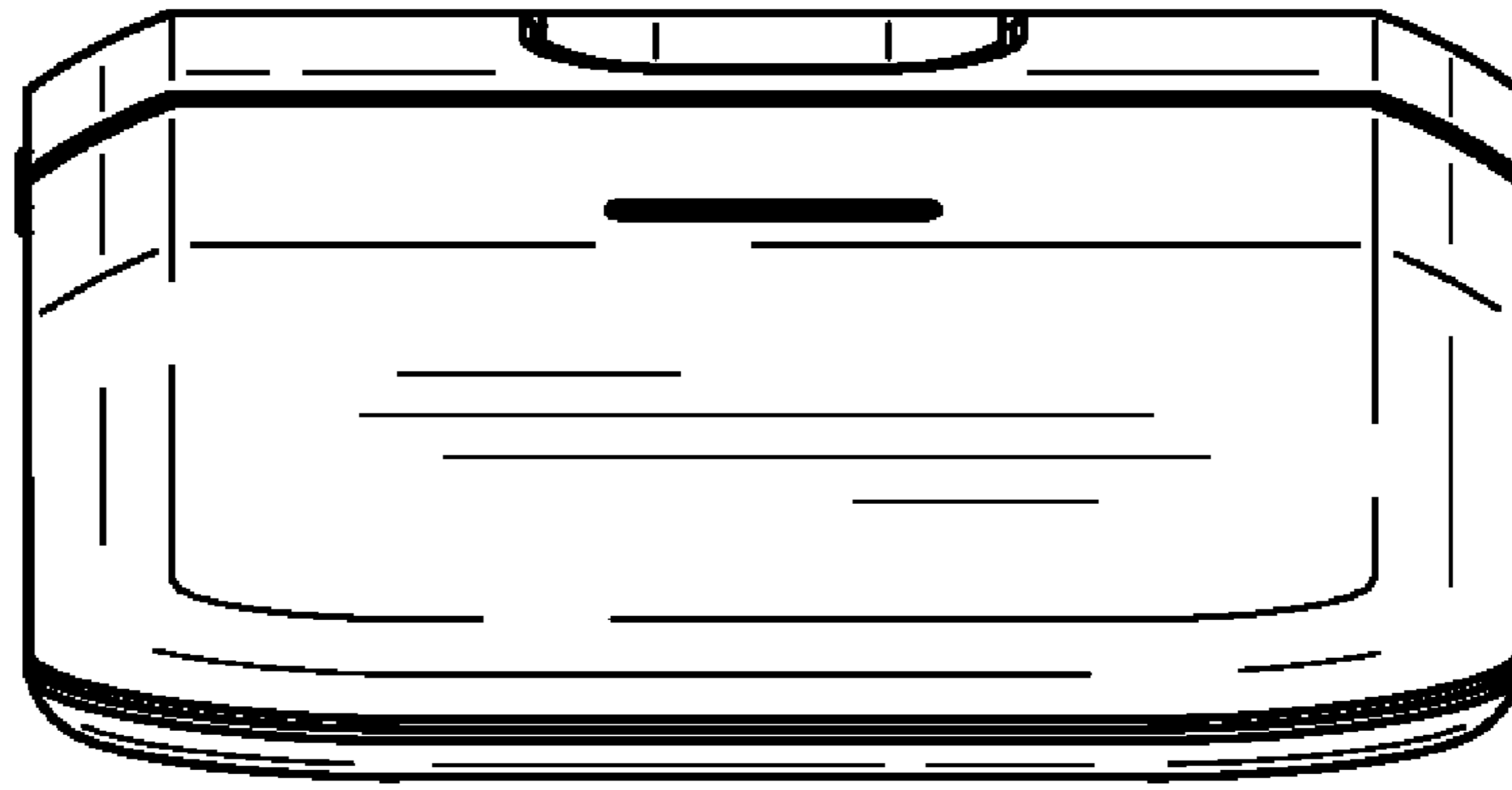


FIG. 6

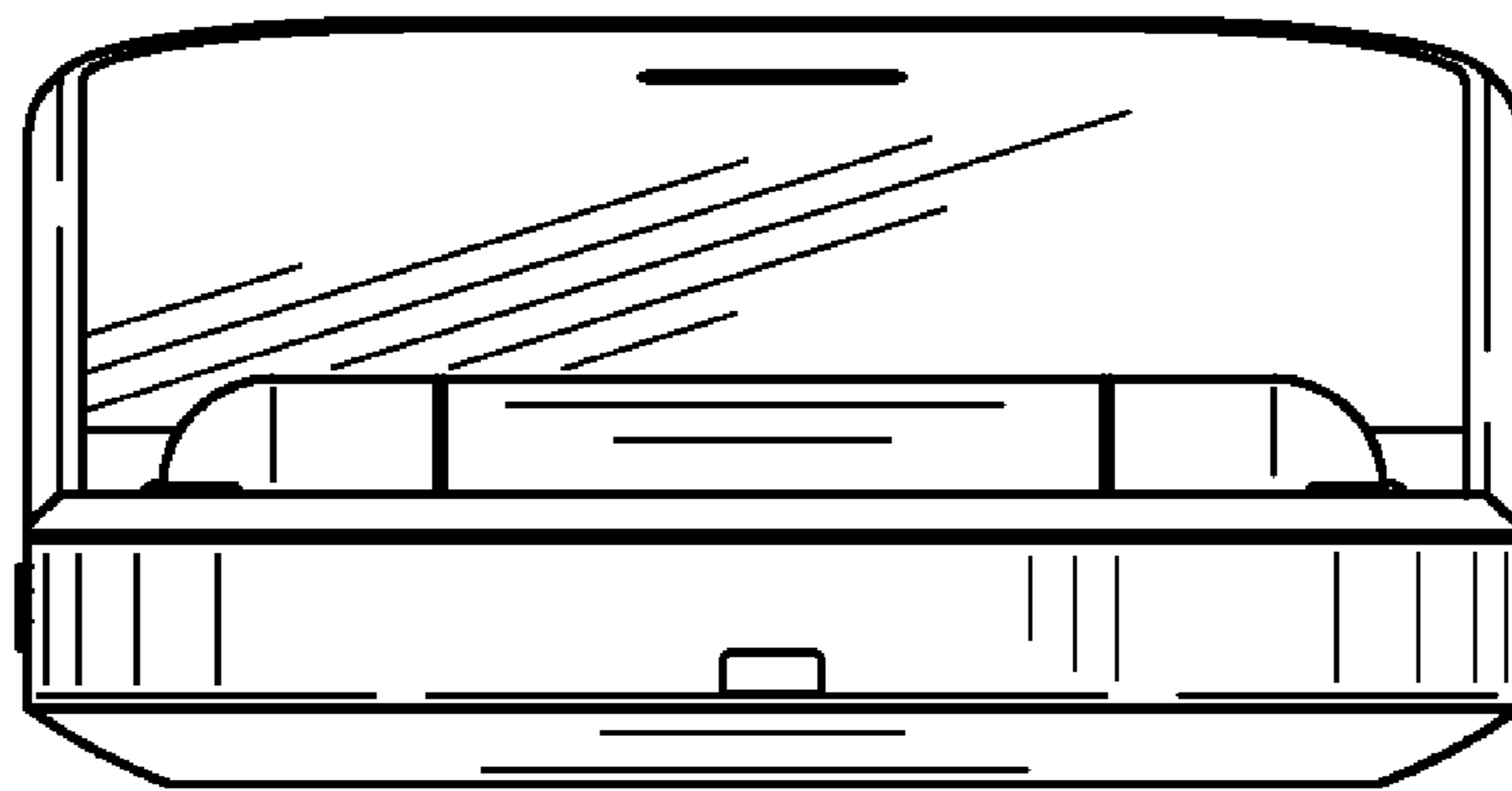


FIG. 7