



US00D588564S

(12) **United States Design Patent**
Pegon et al.

(10) **Patent No.:** **US D588,564 S**
(45) **Date of Patent:** **** Mar. 17, 2009**

(54) **HANDSET**

(75) Inventors: **Valerie Pegon**, London (GB); **Silas Grant**, London (GB); **Chee Wong**, London (GB); **Totti Helin**, Beijing (CN)

(73) Assignee: **Nokia Corporation**, Espoo (FI)

(**) Term: **14 Years**

(21) Appl. No.: **29/280,465**

(22) Filed: **May 29, 2007**

(30) **Foreign Application Priority Data**

Nov. 28, 2006 (FI) M20060223

(51) **LOC (9) Cl.** **14-03**

(52) **U.S. Cl.** **D14/138 AA**

(58) **Field of Classification Search** D14/137-138, D14/147-148, 156, 218, 247-248, 341-347, D14/390, 399, 455-456, 496; D16/208; D21/329, 331, 333, 517; 348/14.01-14.02; 361/814; 379/433.01-433.13; 455/90.3, 455/556.1-556.2, 566, 575.1, 575.3, 575.4; D13/164, 168; 439/165; 343/702

See application file for complete search history.

(56) **References Cited**

U.S. PATENT DOCUMENTS

D465,774 S * 11/2002 Nuovo D14/138
D474,166 S * 5/2003 Burns et al. D14/138
6,590,566 B2 * 7/2003 Abe 345/168
D494,559 S * 8/2004 Fuxen D14/138
D498,733 S * 11/2004 Majanen D14/138
D499,709 S * 12/2004 Nuovo et al. D14/138
6,904,148 B1 * 6/2005 Yabusaki 379/433.07
D518,804 S * 4/2006 Kangasmaa et al. D14/138
D539,258 S * 3/2007 Wang et al. D14/138

D539,259 S * 3/2007 Wang et al. D14/138
D541,251 S * 4/2007 Lee et al. D14/138
D542,258 S * 5/2007 Park et al. D14/138
2005/0054397 A1 * 3/2005 Kim et al. 455/575.4

OTHER PUBLICATIONS

Alcatel OT-C507, announced Feb. 2007, <URL:http://www.gsmarena.com/alcatel_ot_c507-pictures-1901.php>, retrieved from internet May 26, 2008.*

(Continued)

Primary Examiner—Ian Simmons
Assistant Examiner—Carla Jobe Wright
(74) *Attorney, Agent, or Firm*—Banner & Witcoff, Ltd.

(57) **CLAIM**

The ornamental design for a handset, as shown and described.

DESCRIPTION

FIG. 1 is a bottom plan view of a handset showing our new design;

FIG. 2 is a right side view thereof;

FIG. 3 is a front view thereof;

FIG. 4 is a left side view thereof;

FIG. 5 is a top plan view thereof;

FIG. 6 is a rear view thereof;

FIG. 7 is a perspective front view thereof;

FIG. 8 is a right side view of the handset of FIGS. 1-7 shown on an enlarged scale;

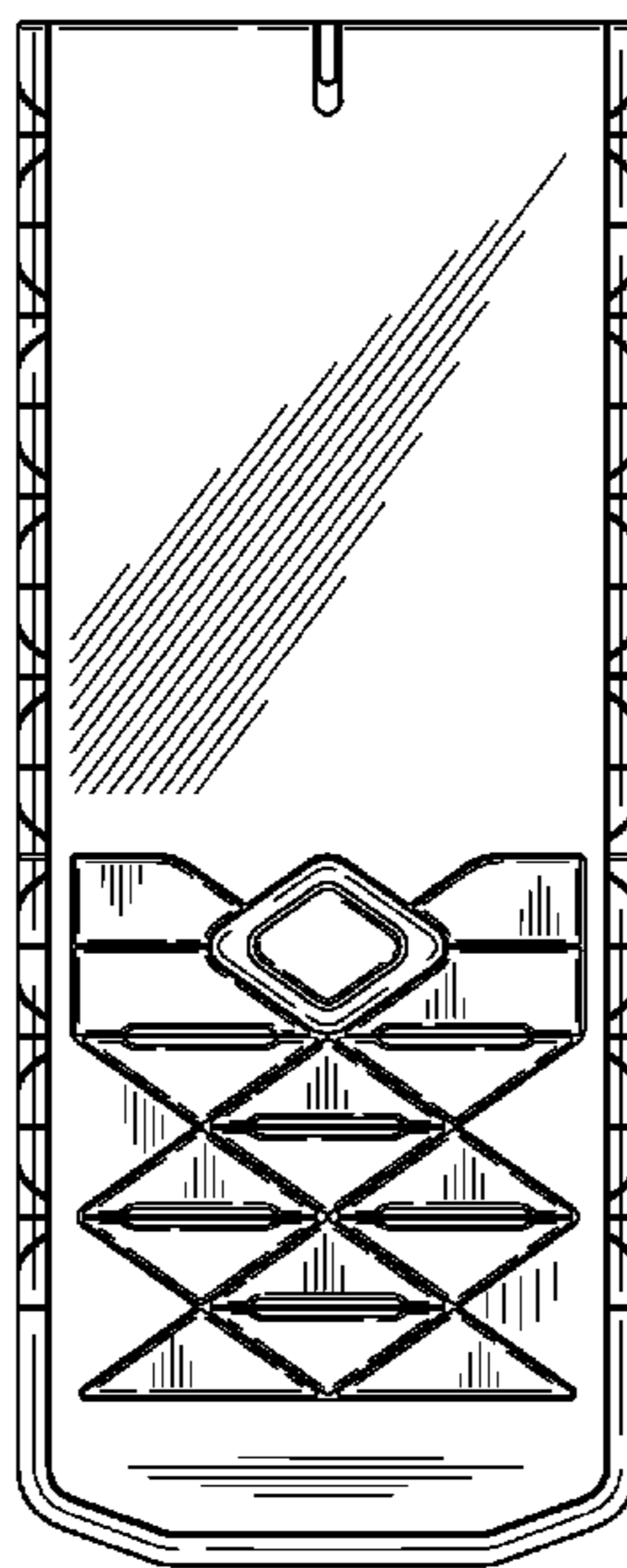
FIG. 9 is a front view thereof;

FIG. 10 is a left side view thereof; and,

FIG. 11 is a perspective front view thereof.

The broken line showing environmental structure is for illustrative purposes only and forms no part of the claimed design.

1 Claim, 6 Drawing Sheets



OTHER PUBLICATIONS

Nokia Model # 5100, Nokia Corporation, 5 color sheets of photographs, disclosed on or about Mar. 2003.

Nokia Model # 5140, Nokia Corporation, 3 color sheets of photographs, disclosed on or about Apr. 2003.

Nokia Model # 6340, Nokia Corporation, 1 color sheet of photographs, disclosed on or about Jan. 2002.

Nokia Model # 6510, Nokia Corporation, 5 color sheets of photographs, disclosed on or about Jan. 2002.

Nokia Model # 6610, Nokia Corporation, 5 color sheets of photographs, disclosed on or about Jul. 2002.

Nokia Model # 6650, Nokia Corporation, 3 color sheets of photographs, disclosed on or about Jan. 2003.

* cited by examiner

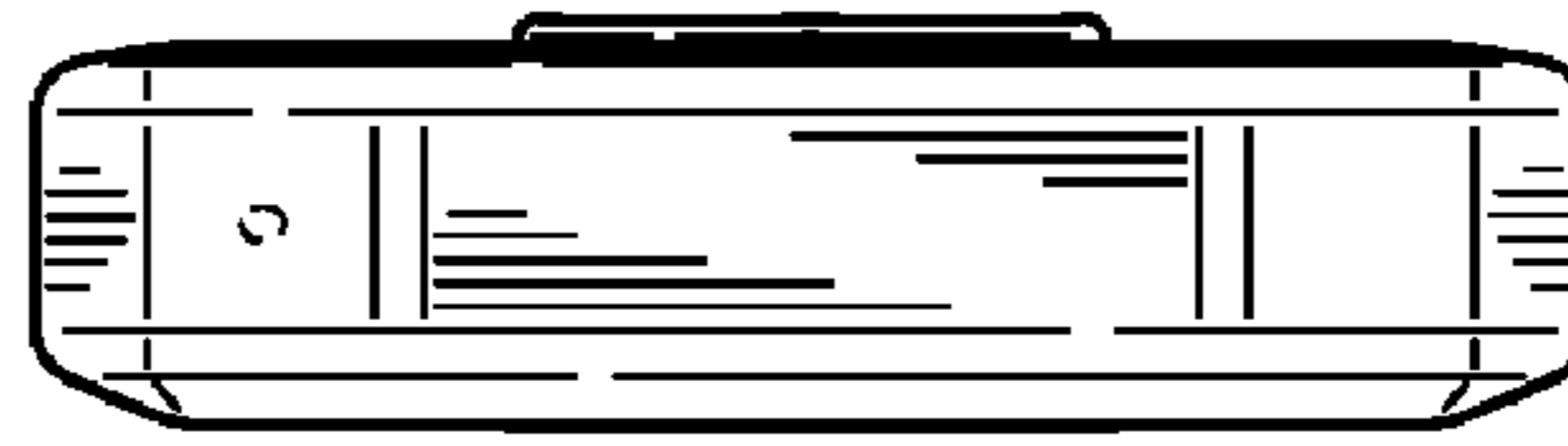


FIG. 1

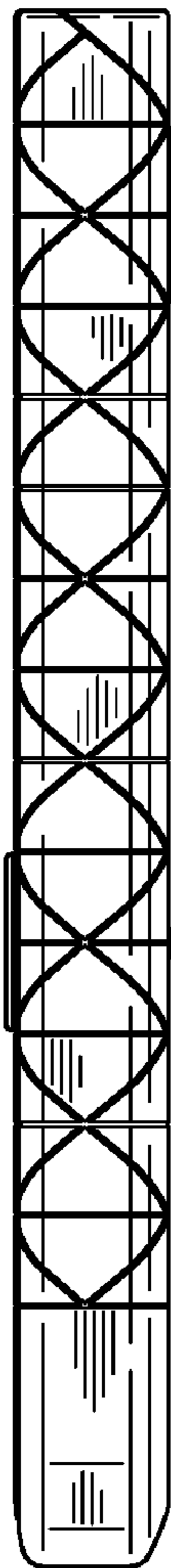


FIG. 2

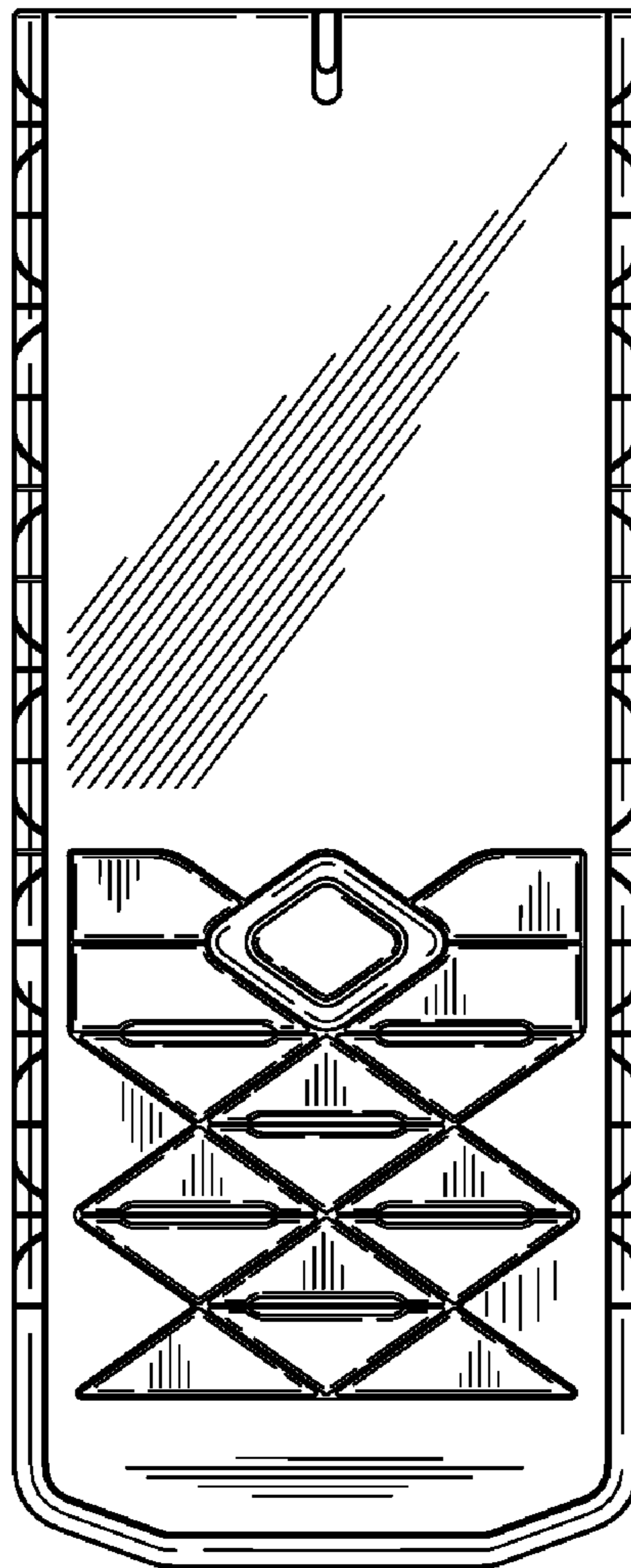


FIG. 3



FIG. 4

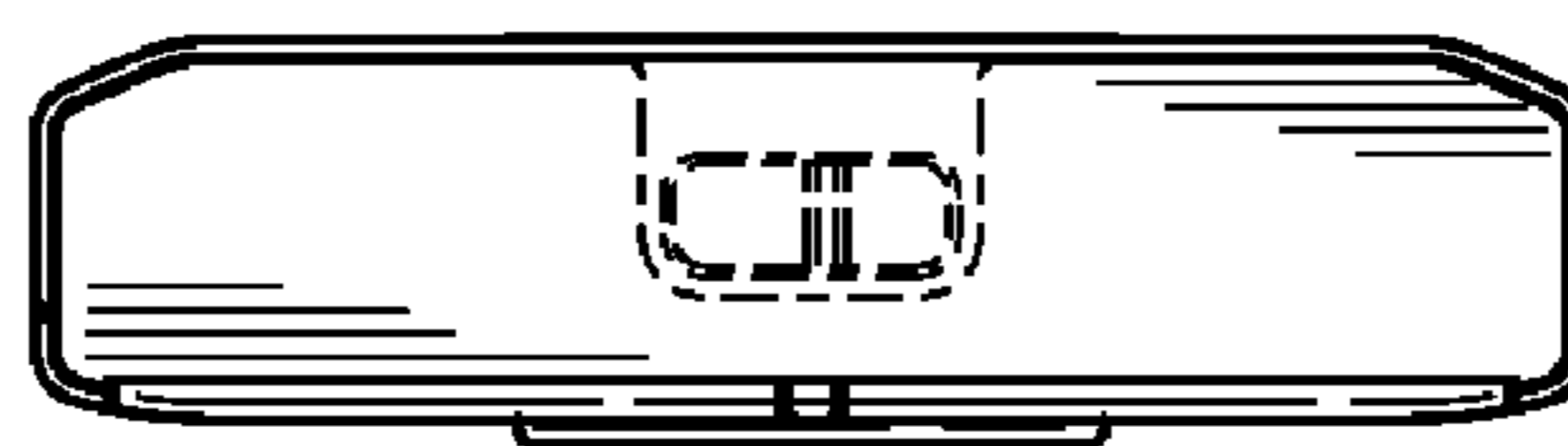


FIG. 5

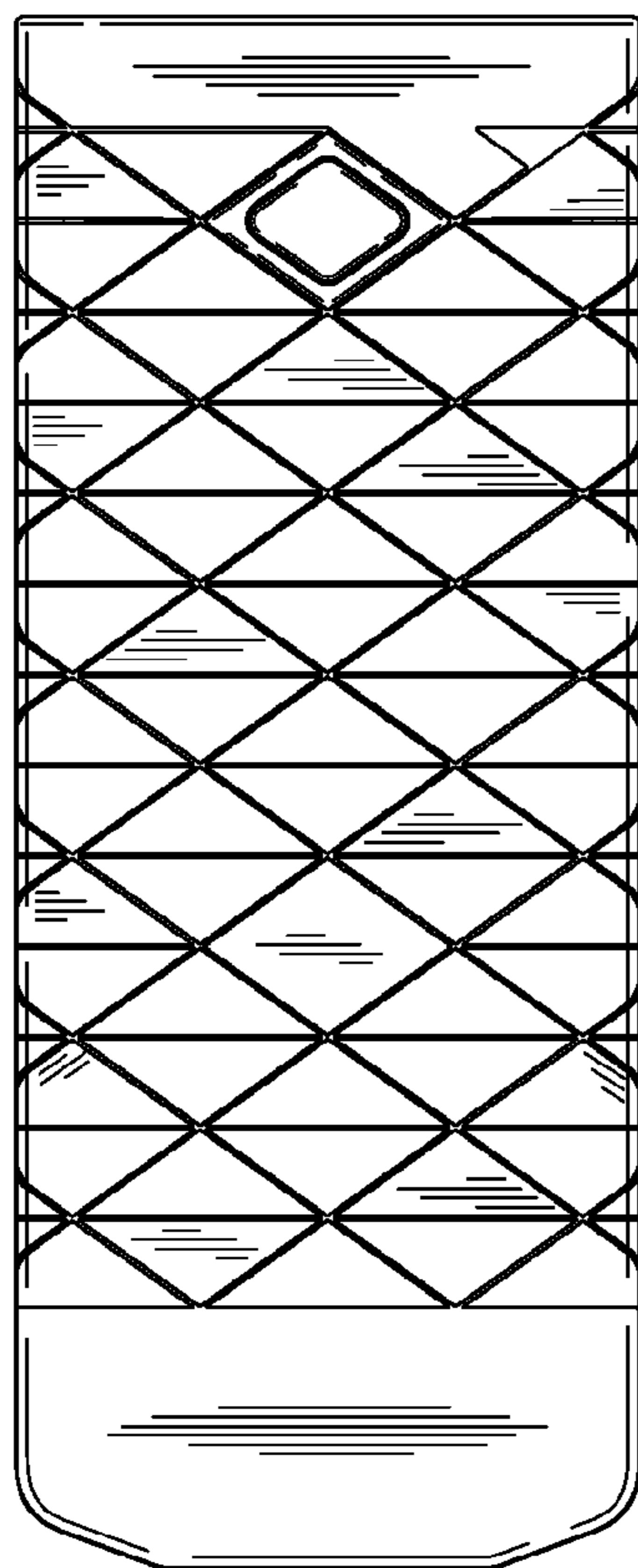


FIG. 6

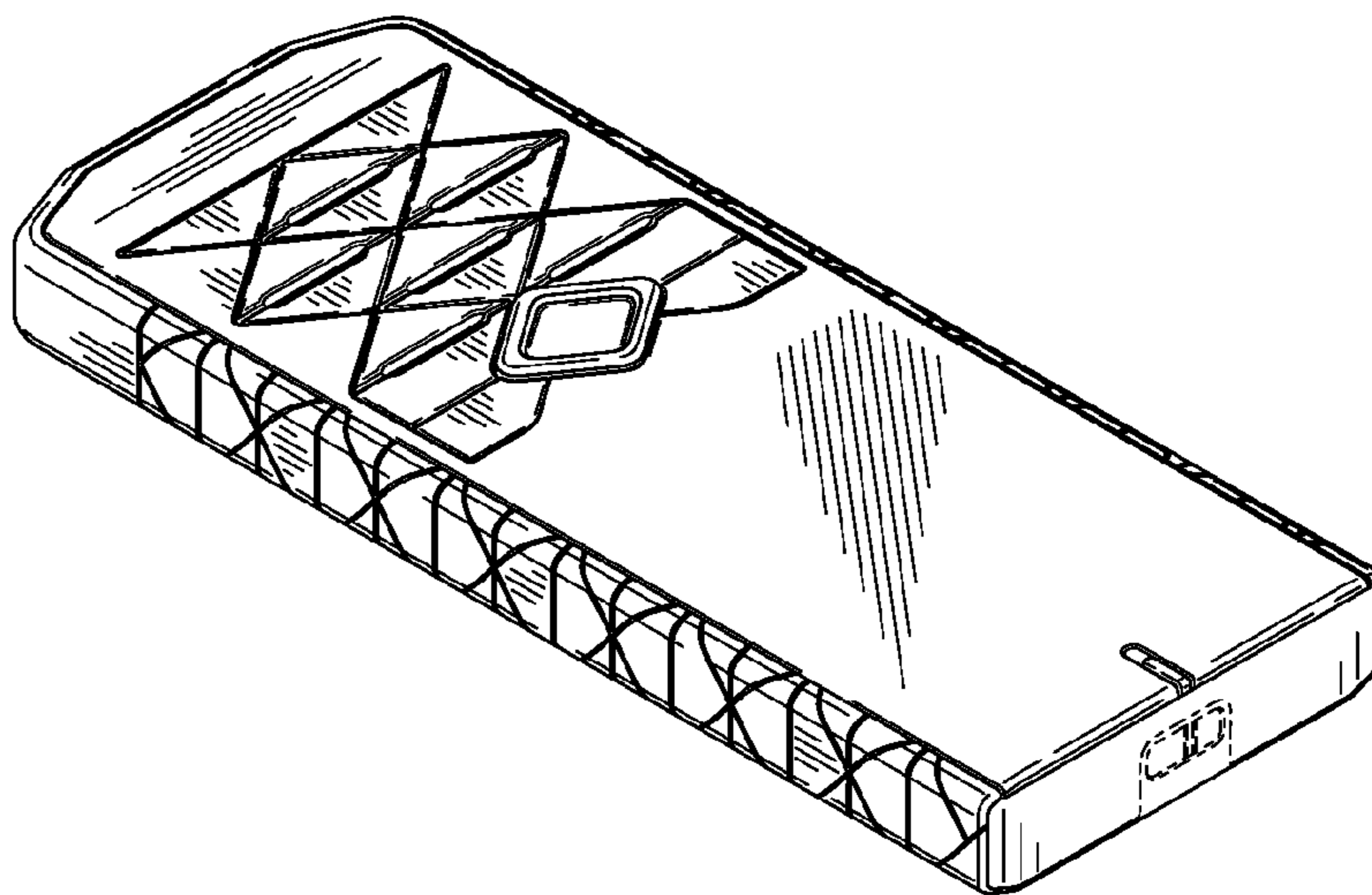


FIG. 7

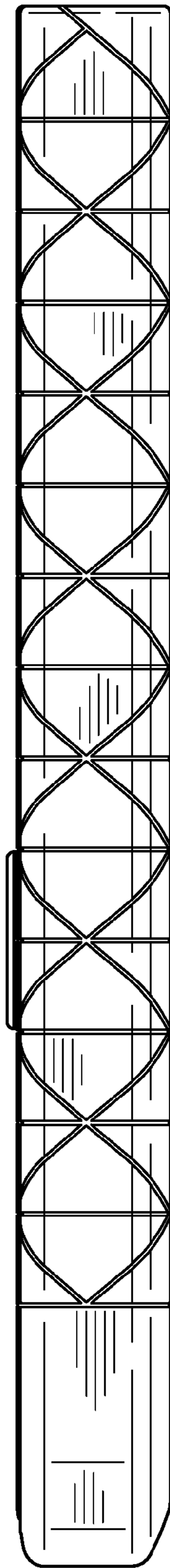


FIG. 8

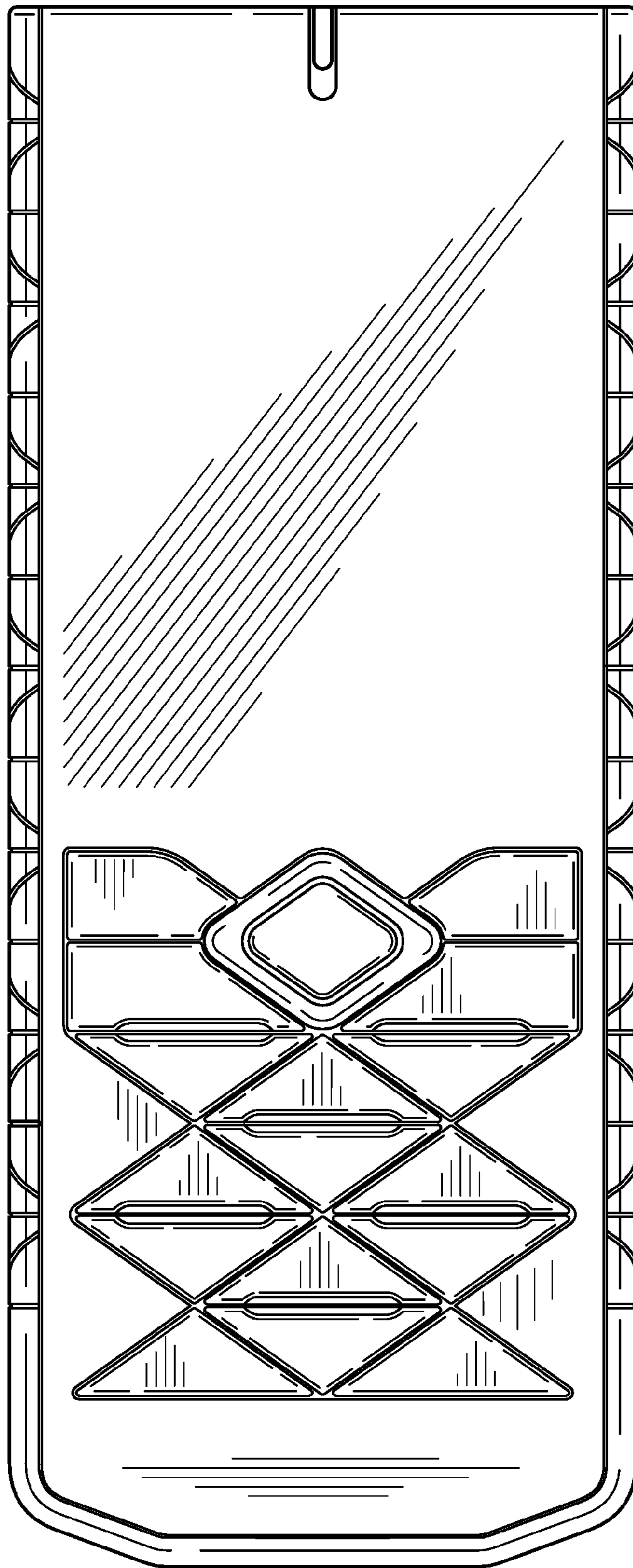


FIG. 9

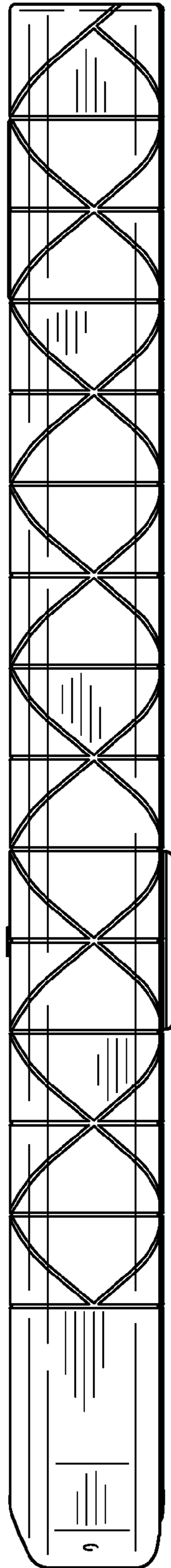


FIG. 10

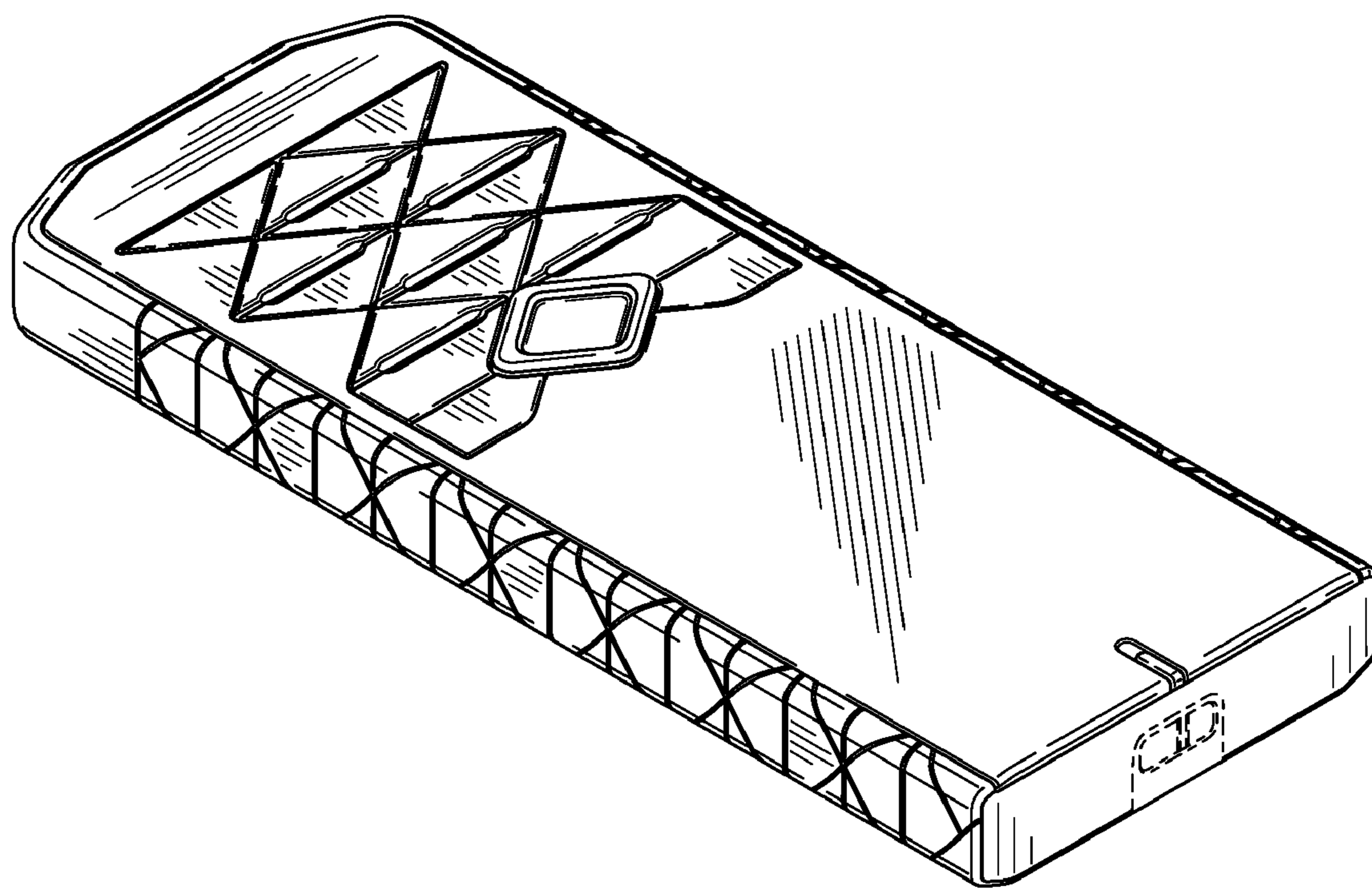


FIG. 11