



US00D588560S

(12) **United States Design Patent**  
**Mellingen et al.**

(10) **Patent No.:** **US D588,560 S**  
(45) **Date of Patent:** **\*\* Mar. 17, 2009**

(54) **ENDPOINT FOR A VIDEOCONFERENCE**

(75) Inventors: **Torkel Steffen Mellingen**, Oslo (NO);  
**Anders Ramstad**, Oslo (NO); **Hallgrim Sagen**, Oslo (NO)

(73) Assignee: **Tandberg Telecom AS**, Lysaker (NO)

(\*\*) Term: **14 Years**

(21) Appl. No.: **29/265,913**

(22) Filed: **Sep. 11, 2006**

(30) **Foreign Application Priority Data**

Apr. 28, 2006 (NO) ..... 20060217

(51) **LOC (9) Cl.** ..... **14-03**

(52) **U.S. Cl.** ..... **D14/126; D14/129**

(58) **Field of Classification Search** ..... D14/125-134,  
D14/239, 371, 136, 374-377, 440, 450, 448,  
D14/336, 342; 312/7.2; 348/836, 838, 180,  
348/184, 325, 739; 341/12; 248/917-924,  
248/465; 345/104, 133, 156, 168, 87, 173;  
720/605, 669, 600, 655; 369/99, 197; 455/344,  
455/347; D21/329, 515, 577, 622, 333, 433,  
D21/448, 452, 450, 331, 650; D6/477, 479;  
273/148 B; 446/484, 175, 356; D10/15,  
D10/26

See application file for complete search history.

(56) **References Cited**

**U.S. PATENT DOCUMENTS**

D474,454 S \* 5/2003 Izu et al. .... D14/133  
D488,139 S \* 4/2004 Takami et al. .... D14/126

D510,920 S 10/2005 Tandberg et al.  
D540,762 S \* 4/2007 Lunde ..... D14/129  
D542,243 S \* 5/2007 Lewis ..... D14/126  
D542,247 S \* 5/2007 Kinoshita et al. .... D14/129  
D542,849 S \* 5/2007 Hill et al. .... D20/10  
D550,635 S \* 9/2007 DeMaio et al. .... D14/133  
D551,184 S \* 9/2007 Kanou et al. .... D14/126  
D555,610 S \* 11/2007 Yang et al. .... D14/126  
D559,211 S \* 1/2008 Brown et al. .... D14/130

\* cited by examiner

*Primary Examiner*—Raphael Barkai

(74) *Attorney, Agent, or Firm*—Oblon, Spivak, McClelland,  
Maier & Neustadt, P.C.

(57) **CLAIM**

The ornamental design for an endpoint for a videoconference,  
as shown and described.

**DESCRIPTION**

FIG. 1 is a front perspective view of the endpoint for a vid-  
eoconference embodying our new design.

FIG. 2 is a front perspective view of the endpoint for a vid-  
eoconference with a panel in the open position.

FIG. 3 is a front view of the endpoint for a videoconference.

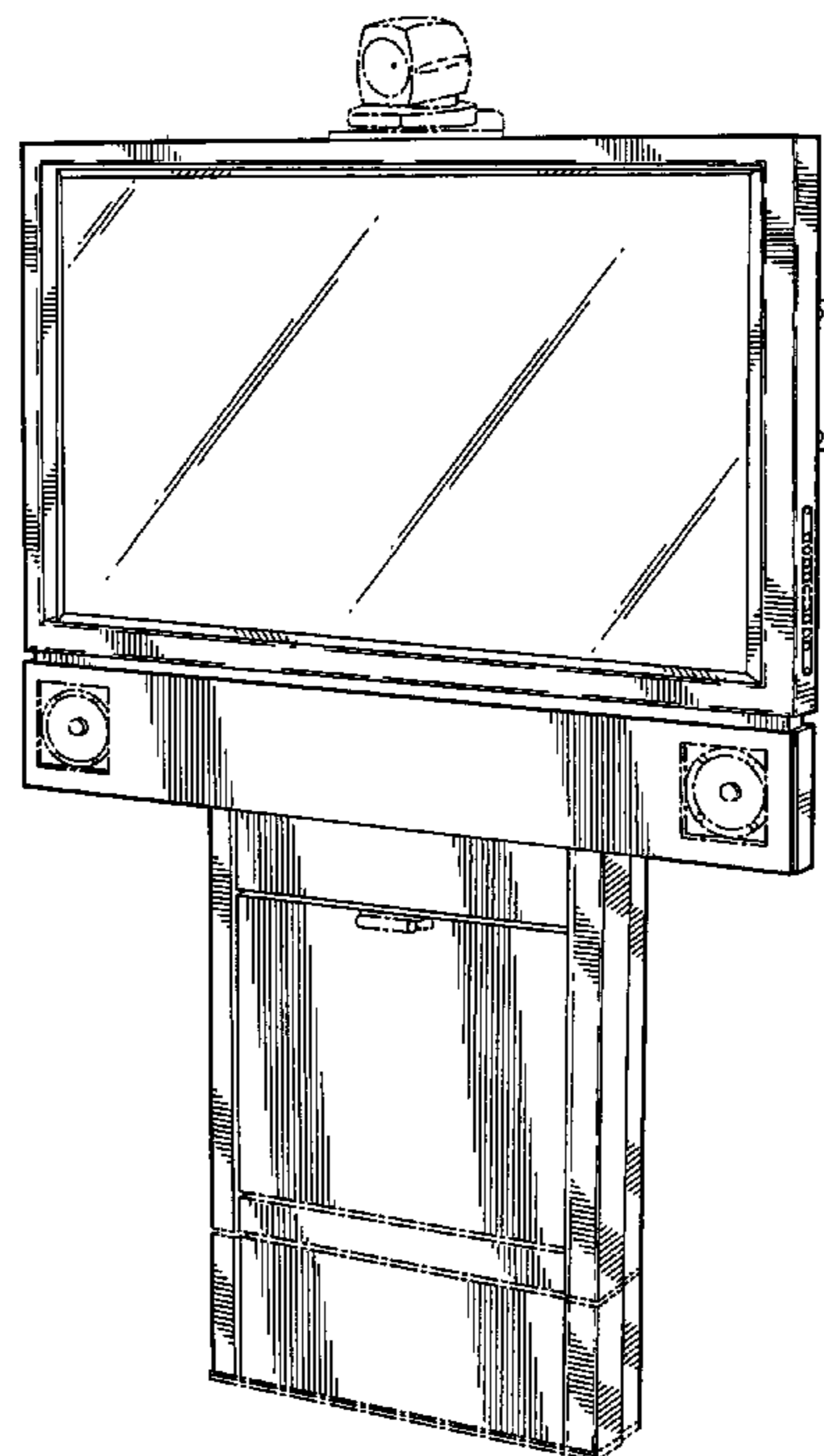
FIG. 4 is a right side perspective view of the endpoint for a  
videoconference.

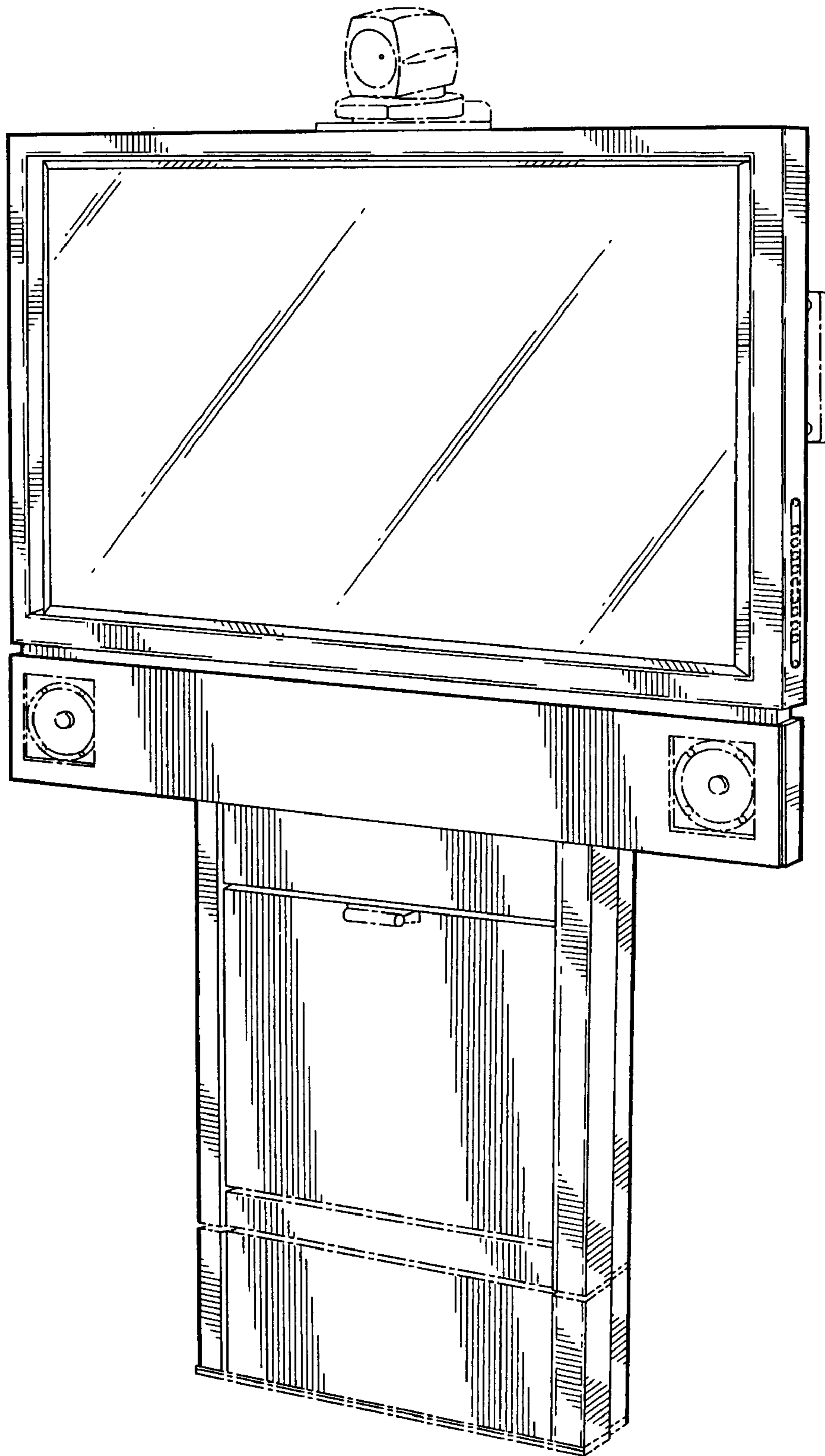
FIG. 5 is a right side view of the endpoint for a videoconfer-  
ence; and,

FIG. 6 is a back view of the endpoint for a videoconference.

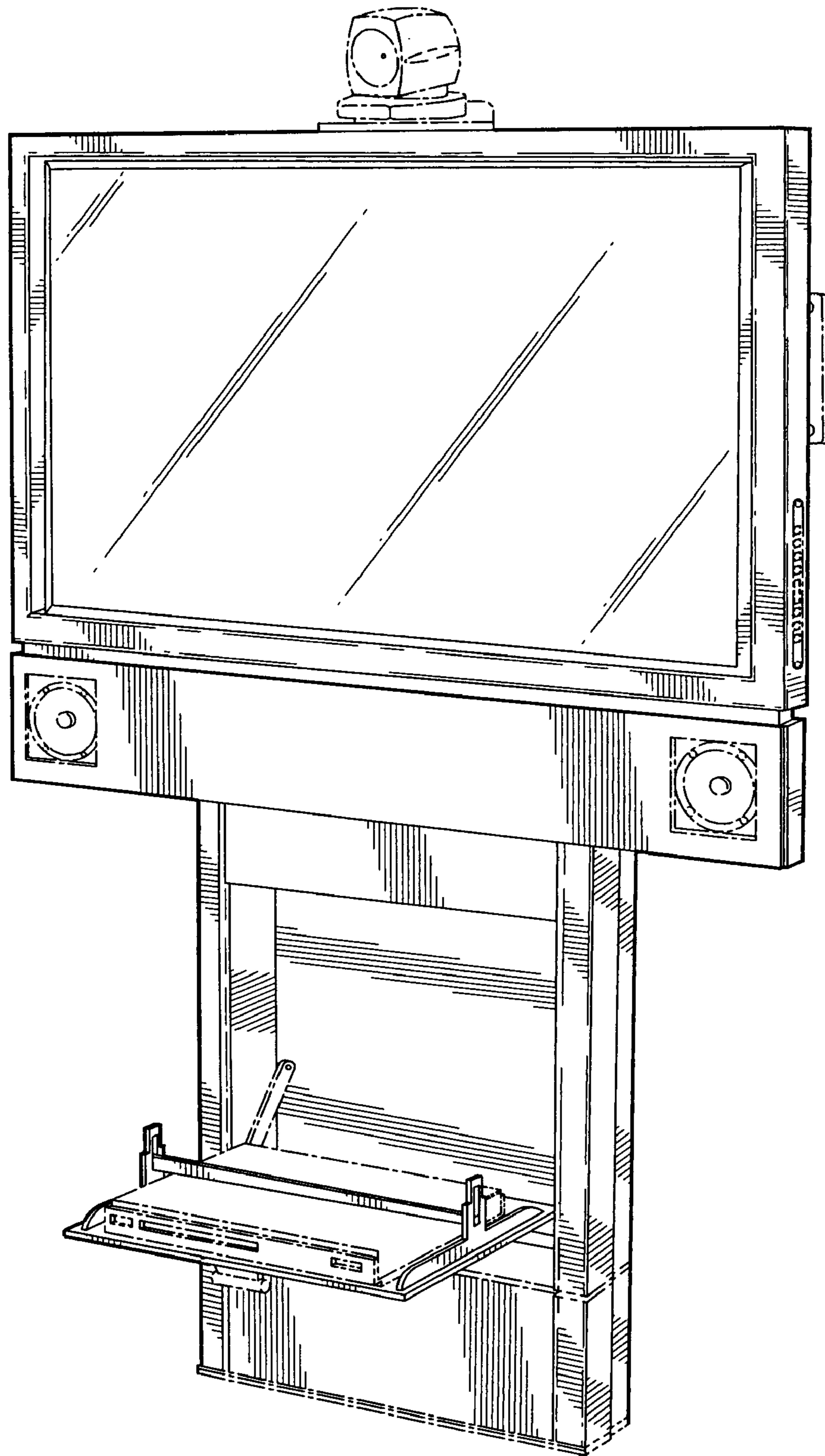
The broken lines are shown for illustrative purposes only and  
form no part of the claimed design.

**1 Claim, 6 Drawing Sheets**

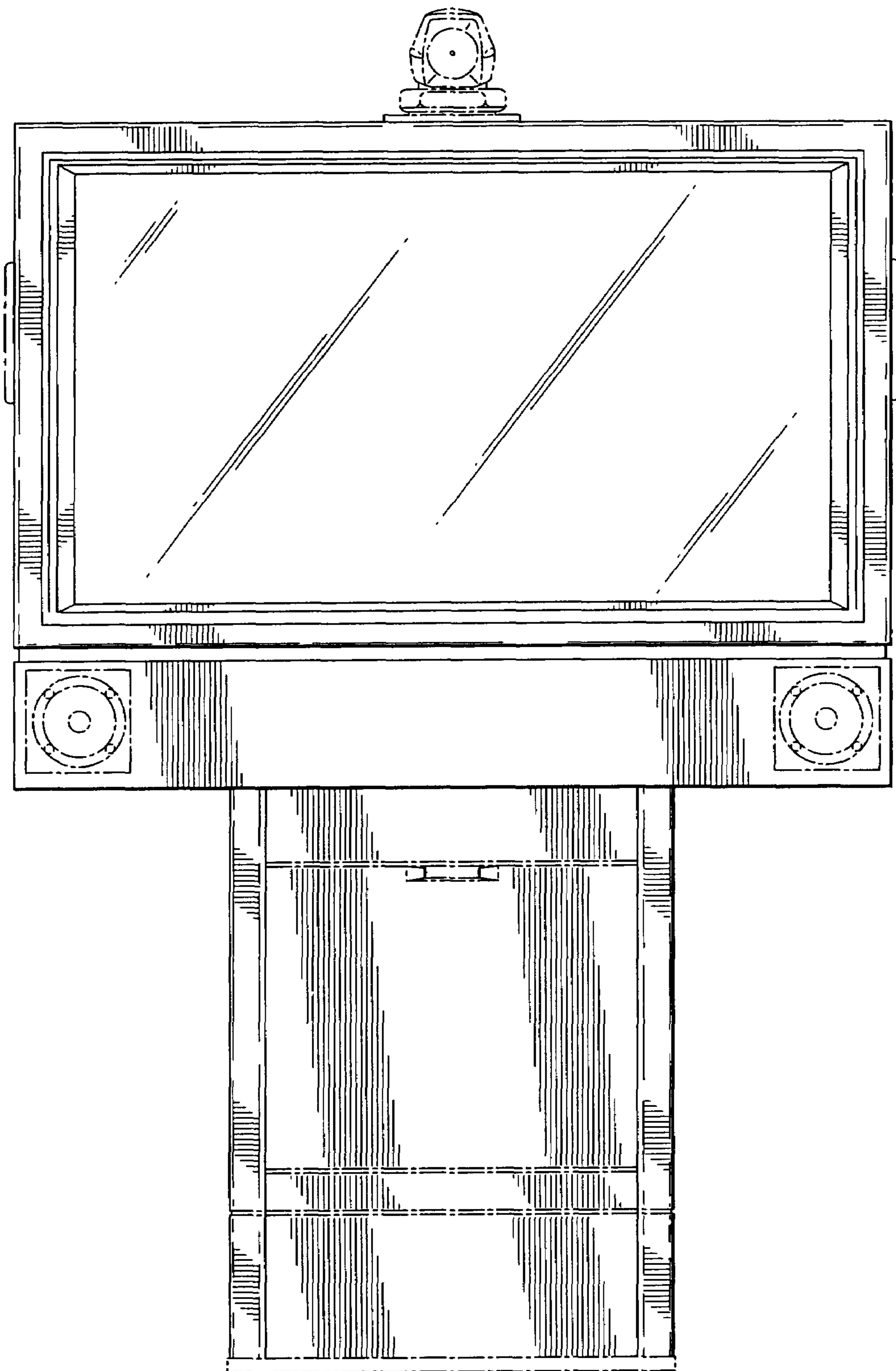




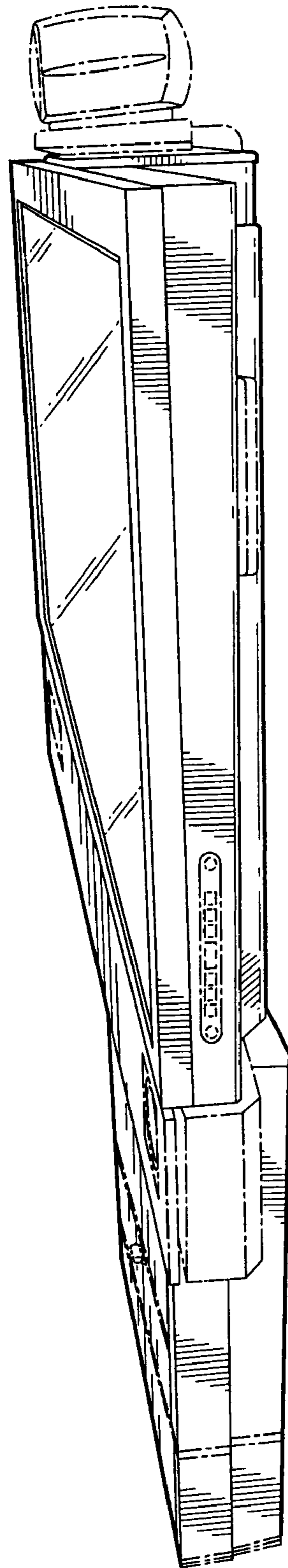
*Fig. 1*



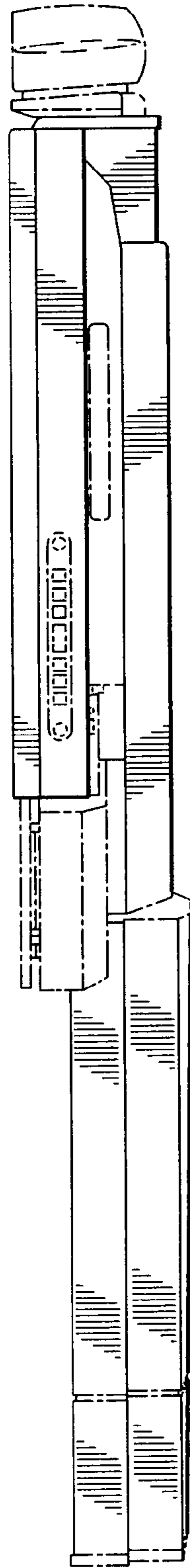
*Fig. 2*



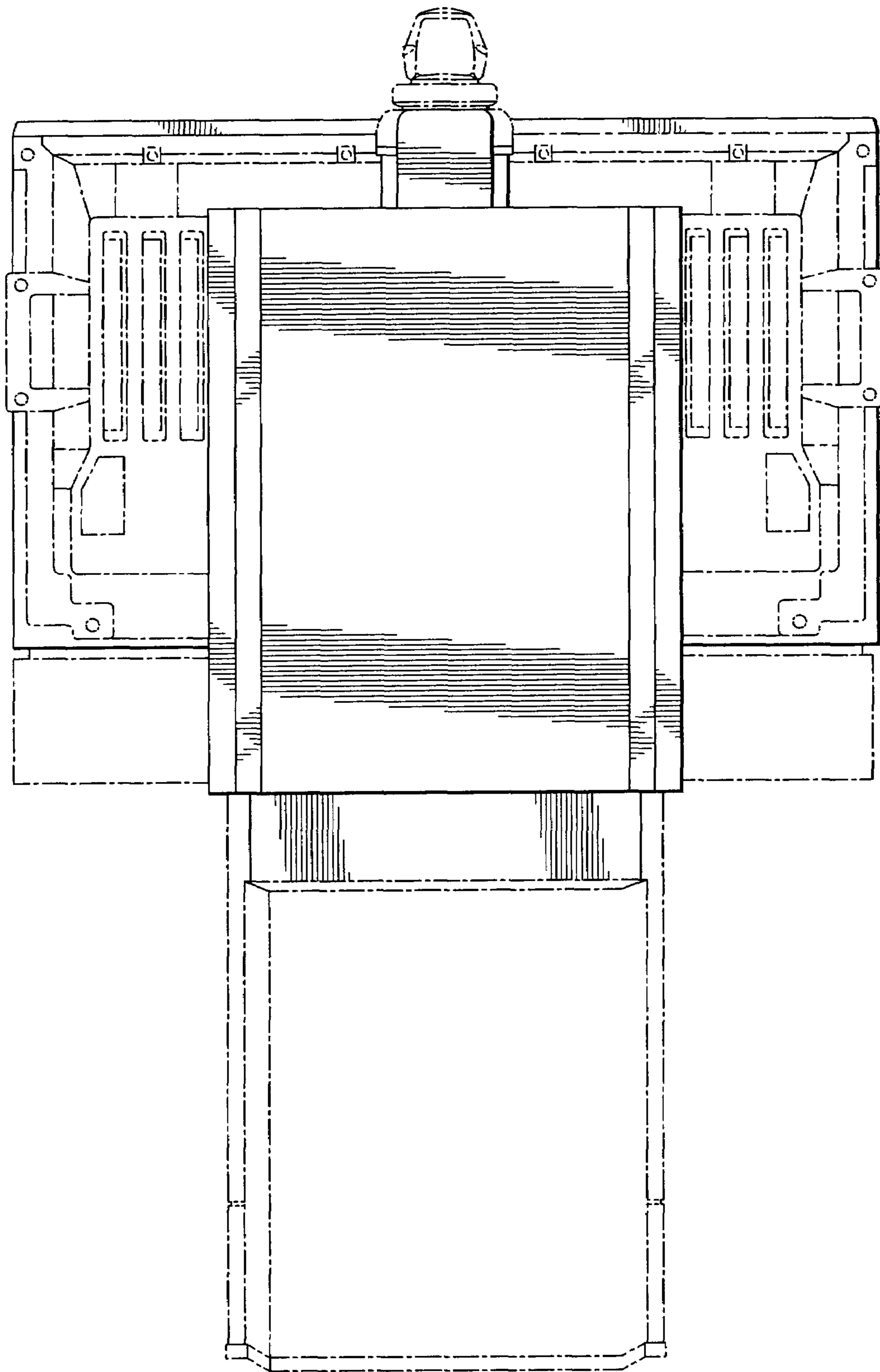
*Fig. 3*



*Fig. 4*



*Fig. 5*



*Fig. 6*