



US00D588559S

(12) **United States Design Patent**  
**Kim et al.**

(10) **Patent No.:** **US D588,559 S**  
(45) **Date of Patent:** **\*\* Mar. 17, 2009**

(54) **SET TOP BOX**

D574,793 S 8/2008 Kim et al.

(75) Inventors: **Dae-Joung Kim**, Seoul (KR); **Bum-Ho Chun**, Seoul (KR)

(73) Assignee: **Samsung Electronics Co., Ltd.**,  
Kyunggi-do (KR)

(\*\*) Term: **14 Years**

(21) Appl. No.: **29/308,615**

(22) Filed: **Jun. 26, 2008**

(51) **LOC (9) Cl.** ..... **14-03**

(52) **U.S. Cl.** ..... **D14/125**

(58) **Field of Classification Search** ..... D14/125-134,  
D14/239, 371, 136, 374-377; 312/7.2; 348/836,  
348/838, 180, 184, 325, 739; 341/12; 248/917-924,  
248/465, 123.11; 345/104, 133, 156, 168,  
345/87, 173, 169; 349/1, 2, 11, 62; 720/605,  
720/669, 600, 655, 99, 197; 455/344-347  
See application file for complete search history.

(56) **References Cited**

**U.S. PATENT DOCUMENTS**

D459,321 S *	6/2002	Kojima et al.	.....	D14/505
D469,066 S *	1/2003	Takahashi	.....	D14/125
D470,465 S *	2/2003	Lee	.....	D14/125
D485,245 S *	1/2004	Shiraki et al.	.....	D14/506
D494,172 S *	8/2004	Asai	.....	D14/368
D529,879 S	10/2006	Park et al.		
D530,694 S *	10/2006	Park	.....	D14/502
D531,152 S *	10/2006	Moriya et al.	.....	D14/506
D533,157 S	12/2006	Park		
D541,811 S	5/2007	Park		
D544,455 S *	6/2007	Park et al.	.....	D14/125
D545,774 S	7/2007	Woo et al.		
D551,183 S	9/2007	Park et al.		
D560,176 S	1/2008	Woo		
D560,177 S	1/2008	Chun et al.		
D560,689 S	1/2008	Cho		
D567,193 S	4/2008	Kang et al.		
D571,754 S	6/2008	Cho et al.		

**OTHER PUBLICATIONS**

U.S. Appl. No. 29/310,034, Applicant: Dae-Joung Kim, et al., filed Jul. 23, 2008, entitled Set Top Box.  
U.S. Appl. No. 29/310,033, Applicant: Dae-Joung Kim, et al., filed Jul. 23, 2008 entitled Set Top Box.  
U.S. Appl. No. 29/310,071, Applicant: So-Yoon Jeon, filed Jul. 24, 2008 entitled Set Top Box.  
U.S. Appl. No. 29/308,616, Applicant: Bum-Ho Chun, filed Jun. 26, 2008 entitled Set Top Box.  
U.S. Appl. No. 29/308,619, Applicant: Bum-Ho Chun, et al., filed Jun. 26, 2008 entitled Set Top Box.  
U.S. Appl. No. 29/308,614, Applicant: Sang-Sung Woo, et al., filed Jun. 26, 2008 entitled Set Top Box.

\* cited by examiner

*Primary Examiner*—Raphael Barkai  
*Assistant Examiner*—Randall H Gholson  
(74) *Attorney, Agent, or Firm*—Flynn, Thiel, Boutell & Tanis, P.C.

(57) **CLAIM**

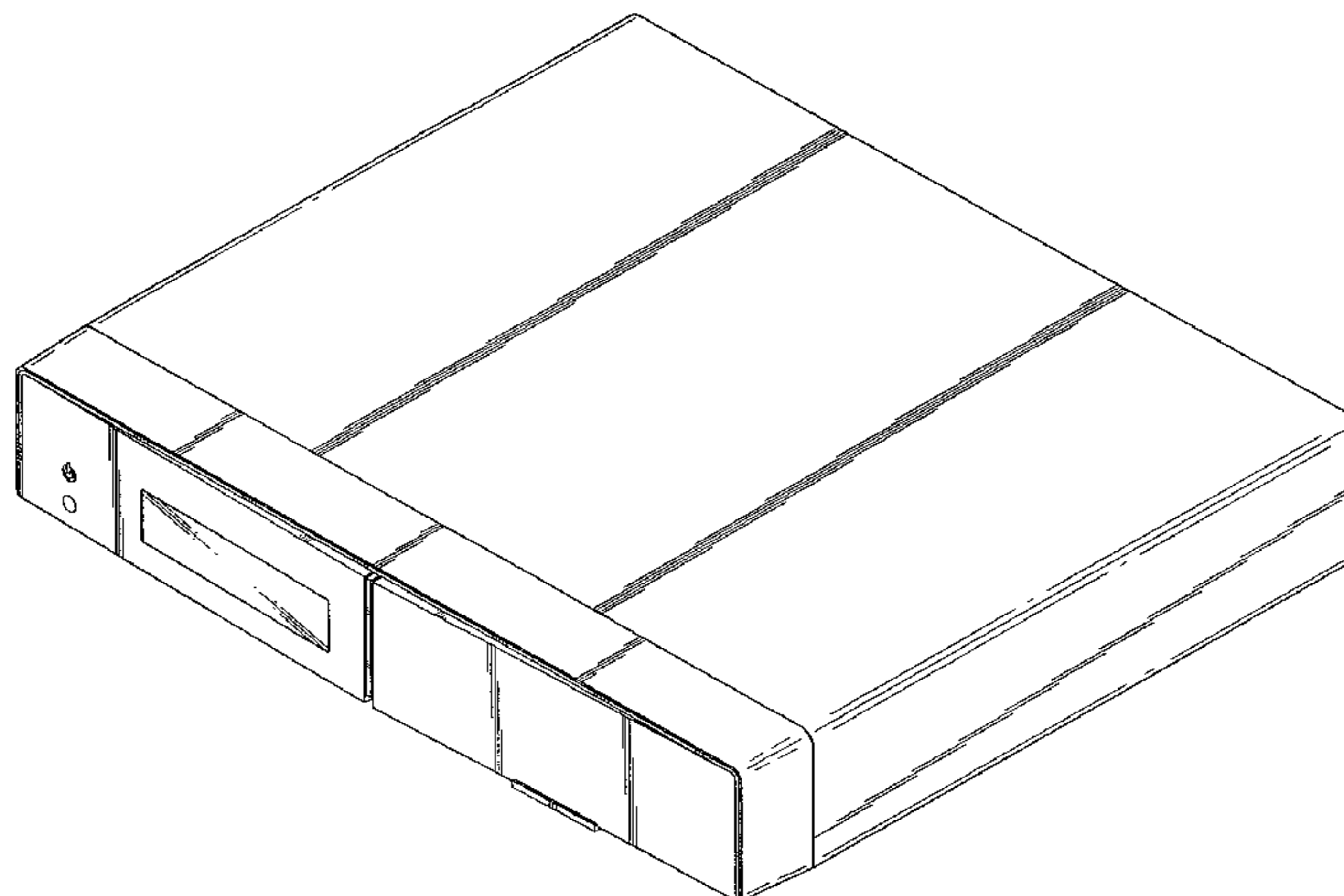
The ornamental design for a set top box, as shown and described.

**DESCRIPTION**

FIG. 1 is a top front perspective view of a set top box showing our new design;  
FIG. 2 is a front elevational view thereof;  
FIG. 3 is a rear elevational view thereof;  
FIG. 4 is a left side elevational view thereof;  
FIG. 5 is a right side elevational view thereof;  
FIG. 6 is a top plan view thereof; and,  
FIG. 7 is a bottom plan view thereof.

The broken line showing of a feature on the bottom of the set top box is included for the purpose of illustration and forms no part of the claimed design.

**1 Claim, 5 Drawing Sheets**



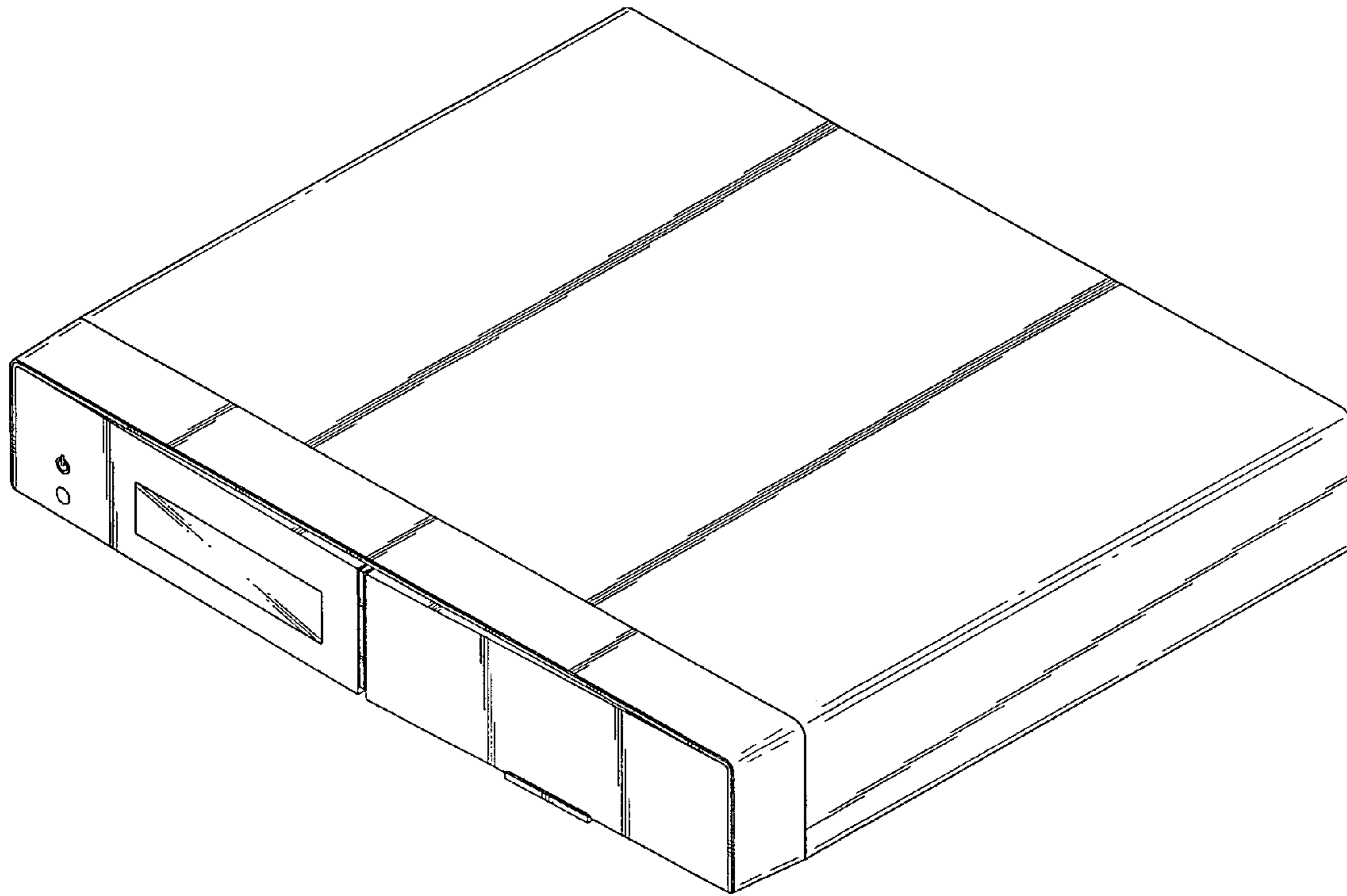


FIG. 1

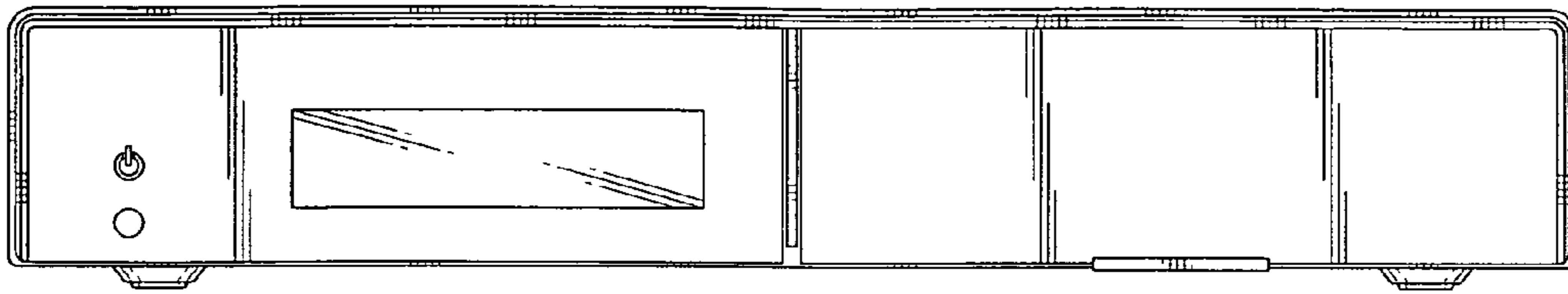


FIG. 2

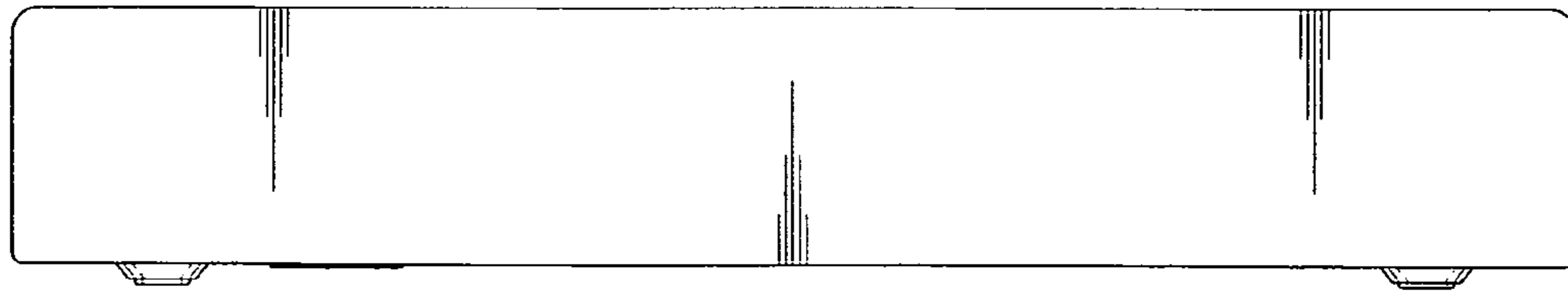


FIG. 3

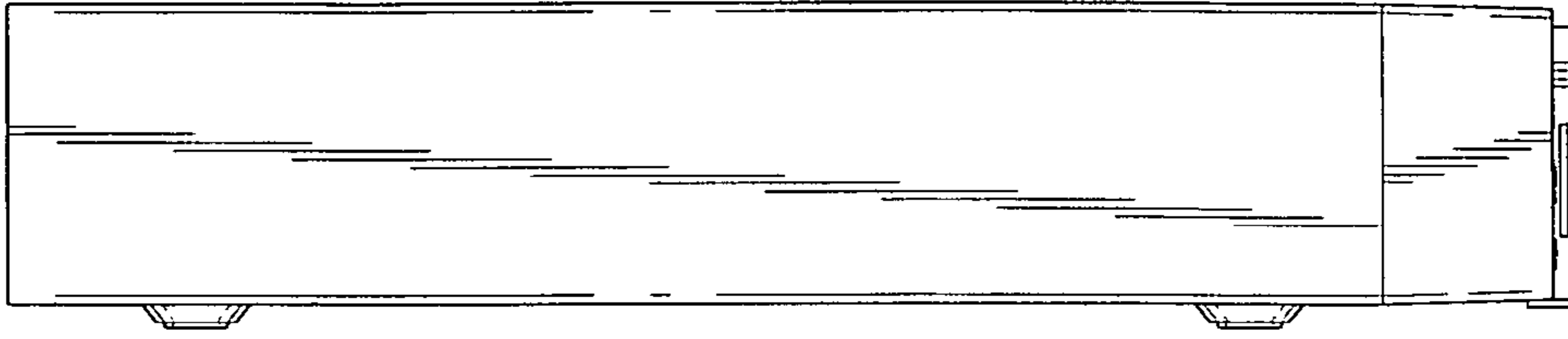


FIG. 4

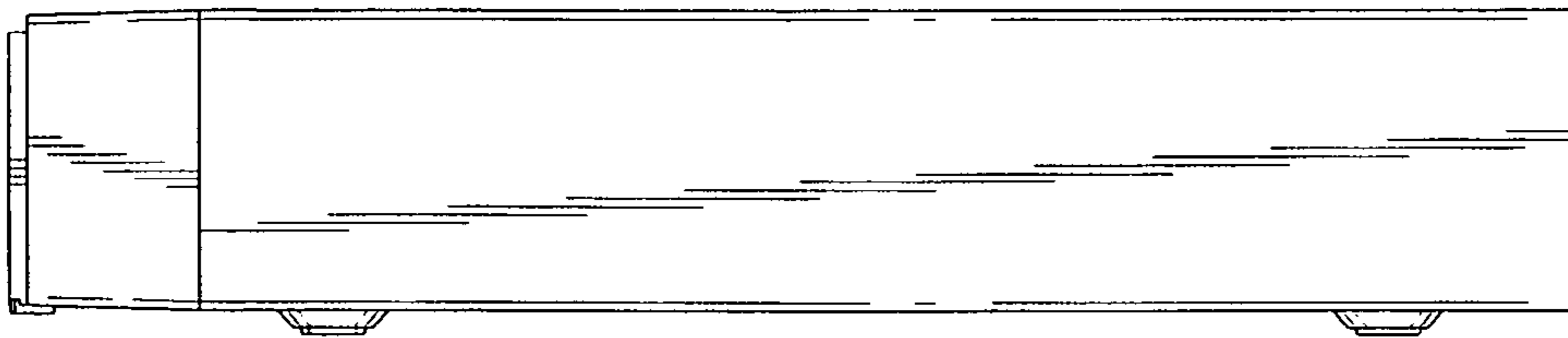


FIG. 5

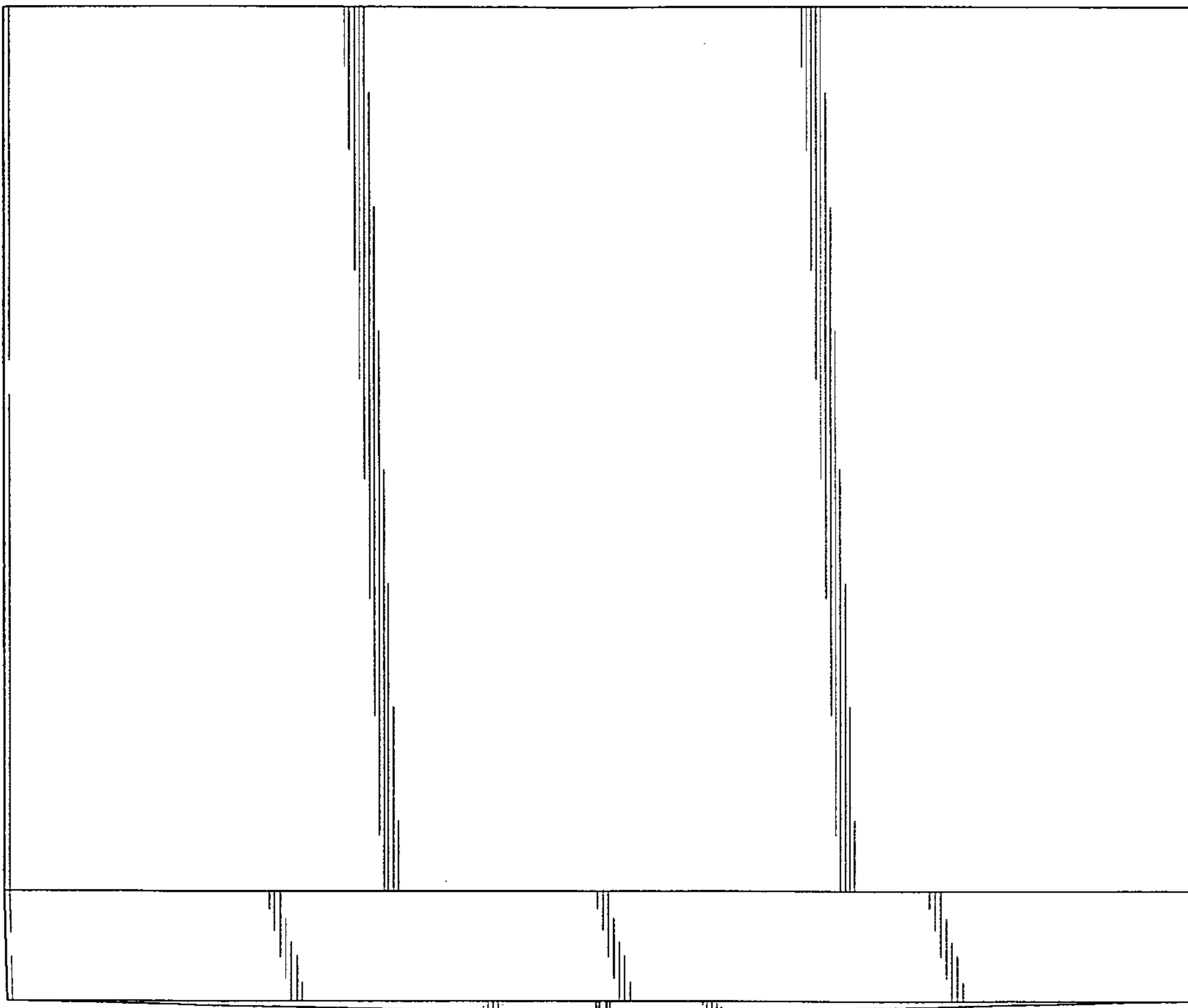


FIG. 6

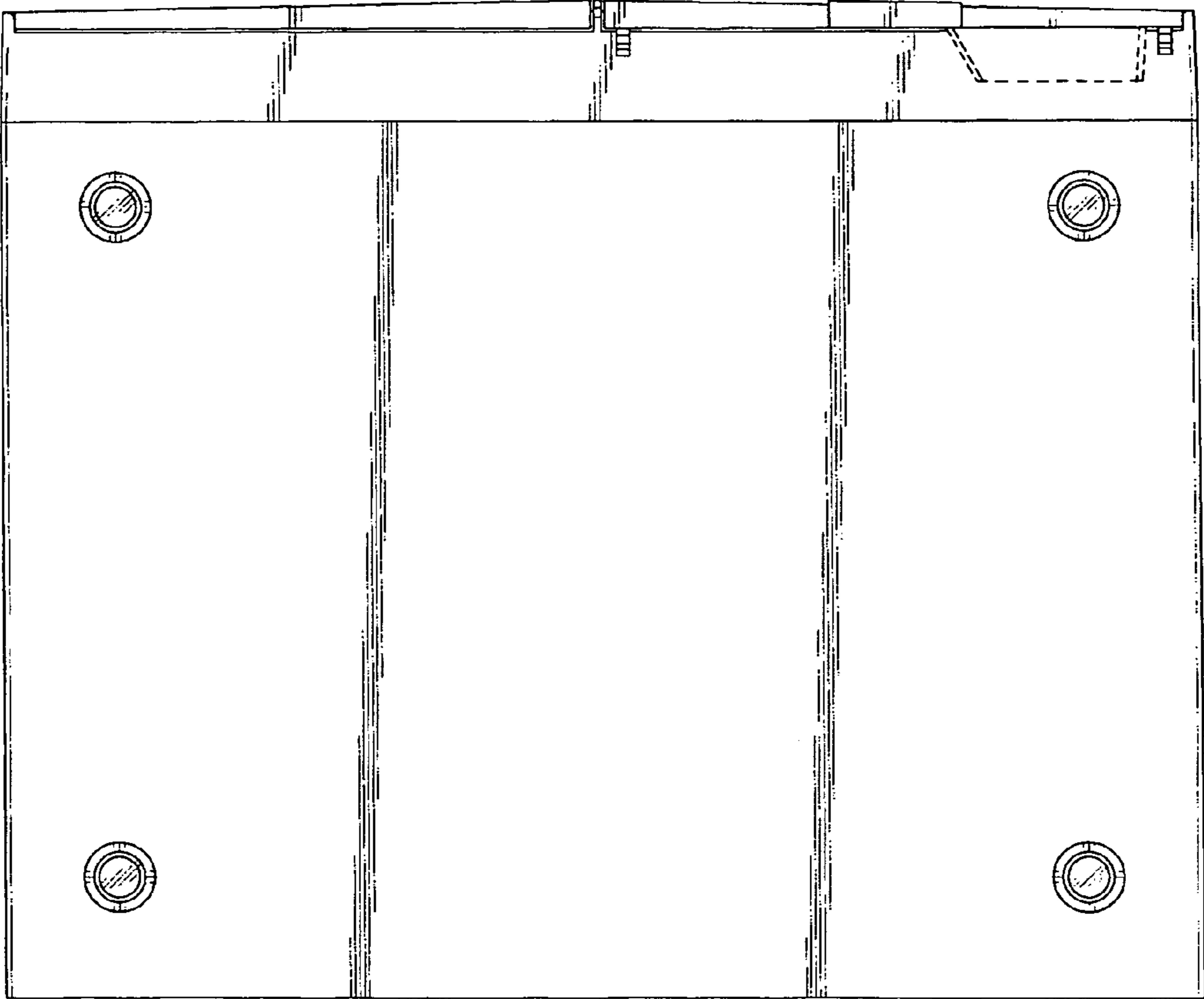


FIG. 7