



US00D588558S

(12) **United States Design Patent**  
**Gwozdz**

(10) **Patent No.:** **US D588,558 S**  
(45) **Date of Patent:** **\*\* Mar. 17, 2009**

(54) **SATELLITE RECEIVER**

(75) Inventor: **Joanna Gwozdz**, Dortmund (DE)

(73) Assignee: **Dream Property GmbH** (DE)

(\*\*) Term: **14 Years**

(21) Appl. No.: **29/268,177**

(22) Filed: **Oct. 31, 2006**

(30) **Foreign Application Priority Data**

May 2, 2006	(EM)	.....	521489-0001
May 2, 2006	(EM)	.....	521489-0002
May 2, 2006	(EM)	.....	521489-0003
May 2, 2006	(EM)	.....	521489-0004

(51) **LOC (9) Cl.** ..... **14-03**

(52) **U.S. Cl.** ..... **D14/125**

(58) **Field of Classification Search** ..... D14/125-134,  
D14/239, 371, 136, 374-377; 312/7.2; 348/836,  
348/838, 180, 184, 325, 739; 341/12; 248/917-924,  
248/465, 123.11; 345/104, 133, 156, 168,  
345/87, 173, 169; 349/1, 2, 11, 62; 720/605,  
720/669, 600, 655, 99, 197; 455/344-347  
See application file for complete search history.

(56) **References Cited**

**U.S. PATENT DOCUMENTS**

D412,327 S	*	7/1999	Curbun et al.	.....	D14/496
D415,486 S	*	10/1999	Lee et al.	.....	D14/126

D434,737 S	*	12/2000	Jensen et al.	.....	D14/125
D445,097 S	*	7/2001	Jensen et al.	.....	D14/125
D446,779 S	*	8/2001	Jensen et al.	.....	D14/125
D542,242 S	*	5/2007	Mathews Reynolds et al.	..	D14/125
D554,600 S	*	11/2007	Gwozdz	.....	D14/126
D563,956 S	*	3/2008	Kato	.....	D14/385
D571,741 S	*	6/2008	Cha et al.	.....	D14/125
D571,743 S	*	6/2008	Tu	.....	D14/125

\* cited by examiner

*Primary Examiner*—Raphael Barkai

*Assistant Examiner*—Randall H Gholson

(74) *Attorney, Agent, or Firm*—Harness, Dickey & Pierce, P.L.C.

(57) **CLAIM**

The ornamental design for a satellite receiver, as shown and described.

**DESCRIPTION**

FIG. 1 is a perspective view of a satellite receiver embodying my new design;

FIG. 2 is a front view thereof;

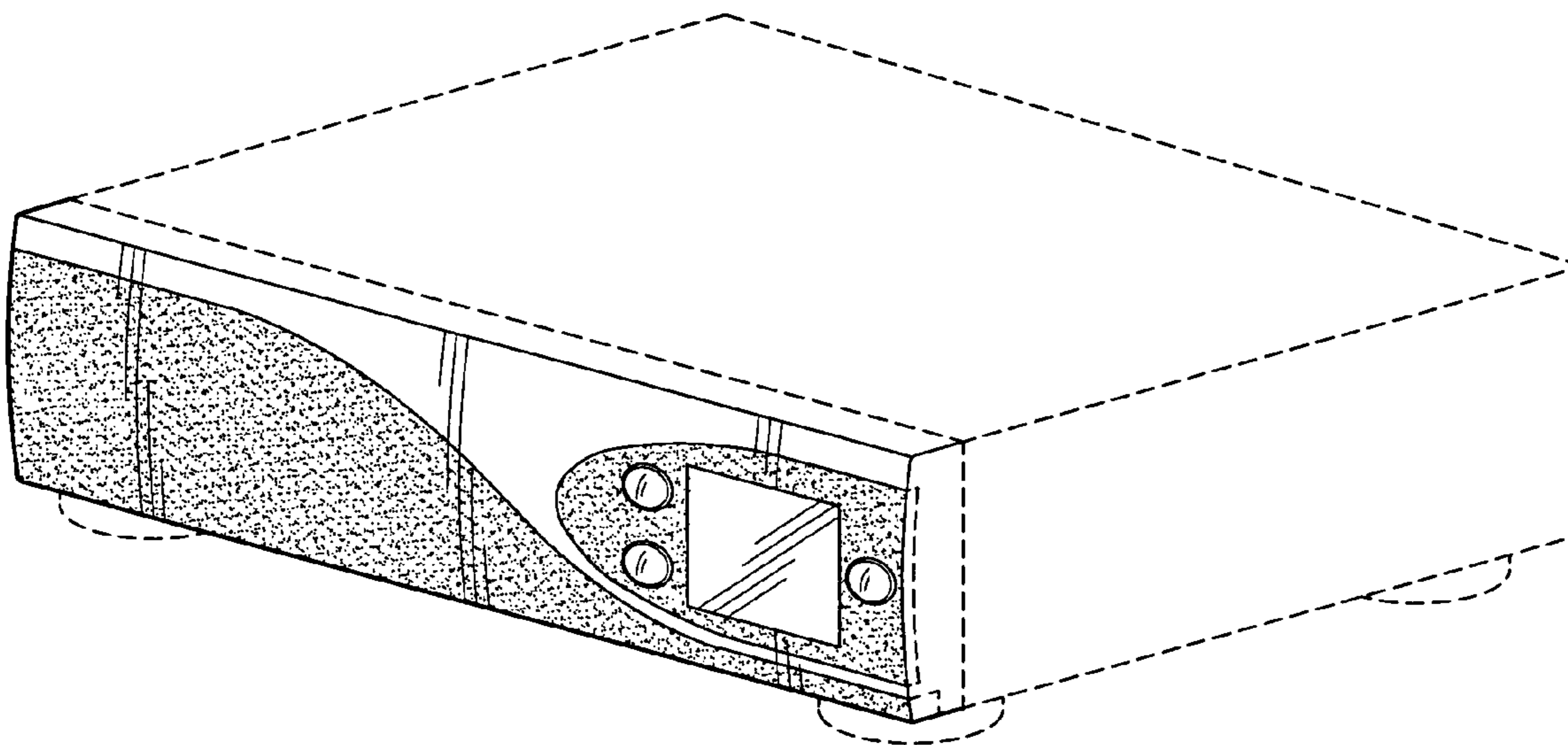
FIG. 3 is a top view thereof;

FIG. 4 is a left side view thereof; and,

FIG. 5 is a right side view thereof.

The broken lines are for illustrative of environmental structure and do not form part of the claimed invention.

**1 Claim, 2 Drawing Sheets**



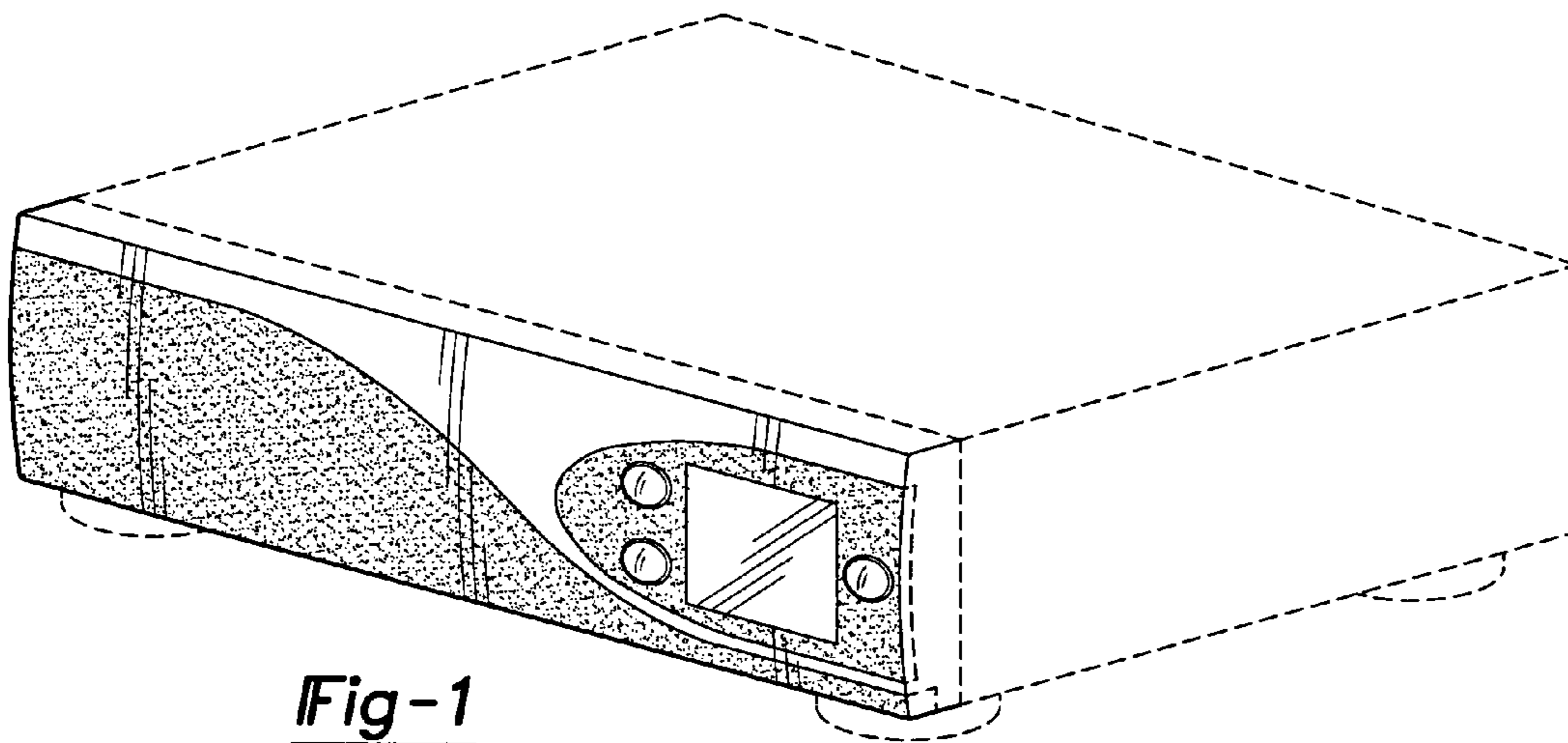


Fig-1

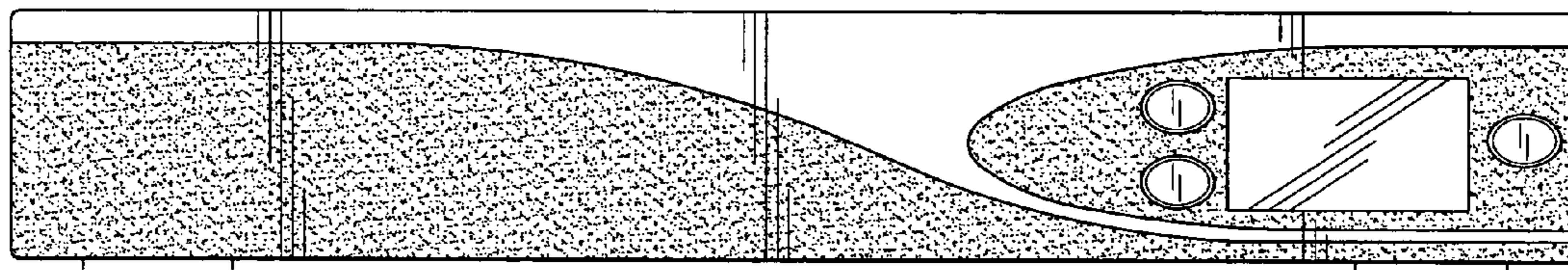


Fig-2

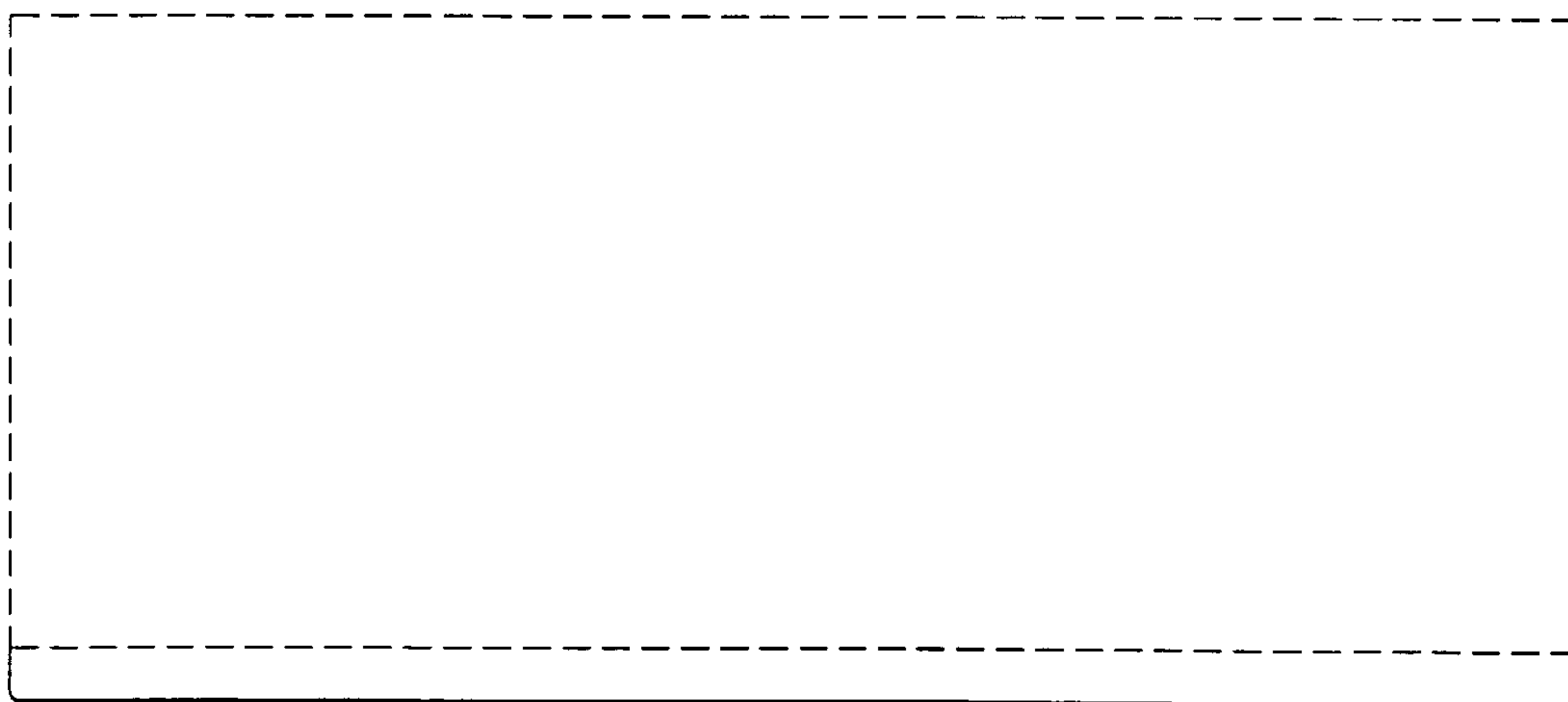


Fig-3



Fig-4



Fig-5