



US00D588550S

(12) **United States Design Patent**
Asada

(10) **Patent No.:** **US D588,550 S**
(45) **Date of Patent:** **** Mar. 17, 2009**

(54) **MULTIDIRECTIONAL INPUT DEVICE**

(75) Inventor: **Makoto Asada, Yao (JP)**

(73) Assignee: **Hosiden Corporation, Osaka (JP)**

(**) Term: **14 Years**

(21) Appl. No.: **29/264,508**

(22) Filed: **Aug. 11, 2006**

(30) **Foreign Application Priority Data**

Feb. 21, 2006 (JP) 2006-003966

(51) **LOC (9) Cl.** **13-03**

(52) **U.S. Cl.** **D13/158**

(58) **Field of Classification Search** D13/158,
D13/171, 173, 174, 184, 199; 200/5 R, 5 A,
200/5 B, 6 R, 302.3, 329

See application file for complete search history.

(56) **References Cited**

U.S. PATENT DOCUMENTS

- D408,366 S * 4/1999 Popadiuk D13/158
- D427,154 S * 6/2000 Wong D13/158
- D434,389 S * 11/2000 Omata D13/158
- D462,666 S * 9/2002 Yamasaki et al. D13/158
- 2004/0055861 A1 * 3/2004 Yu 200/511

* cited by examiner

Primary Examiner—Daniel D Bui
Assistant Examiner—Thomas J Johannes
(74) *Attorney, Agent, or Firm*—The Webb Law Firm

(57) **CLAIM**

The ornamental design of multidirectional input device, as shown and described.

DESCRIPTION

FIG. 1 is a Front View of a multidirectional input device, showing my new design.

FIG. 2 is a Rear View thereof;

FIG. 3 is a Left Side View thereof;

FIG. 4 is a Right Side View thereof;

FIG. 5 is a Top Plan View thereof;

FIG. 6 is a Bottom Plan View thereof;

FIG. 7 is a Top Perspective View thereof;

FIG. 8 is a Bottom Perspective View thereof; and,

FIG. 9 is an Enlarged Partial Sectional View thereof taken on line 9—9 in FIG. 3 showing details of the surface of the design.

The broken line showing in the figure drawings is included to show unclaimed internal subject matter in FIG. 9 and forms no part of the claimed design.

1 Claim, 9 Drawing Sheets

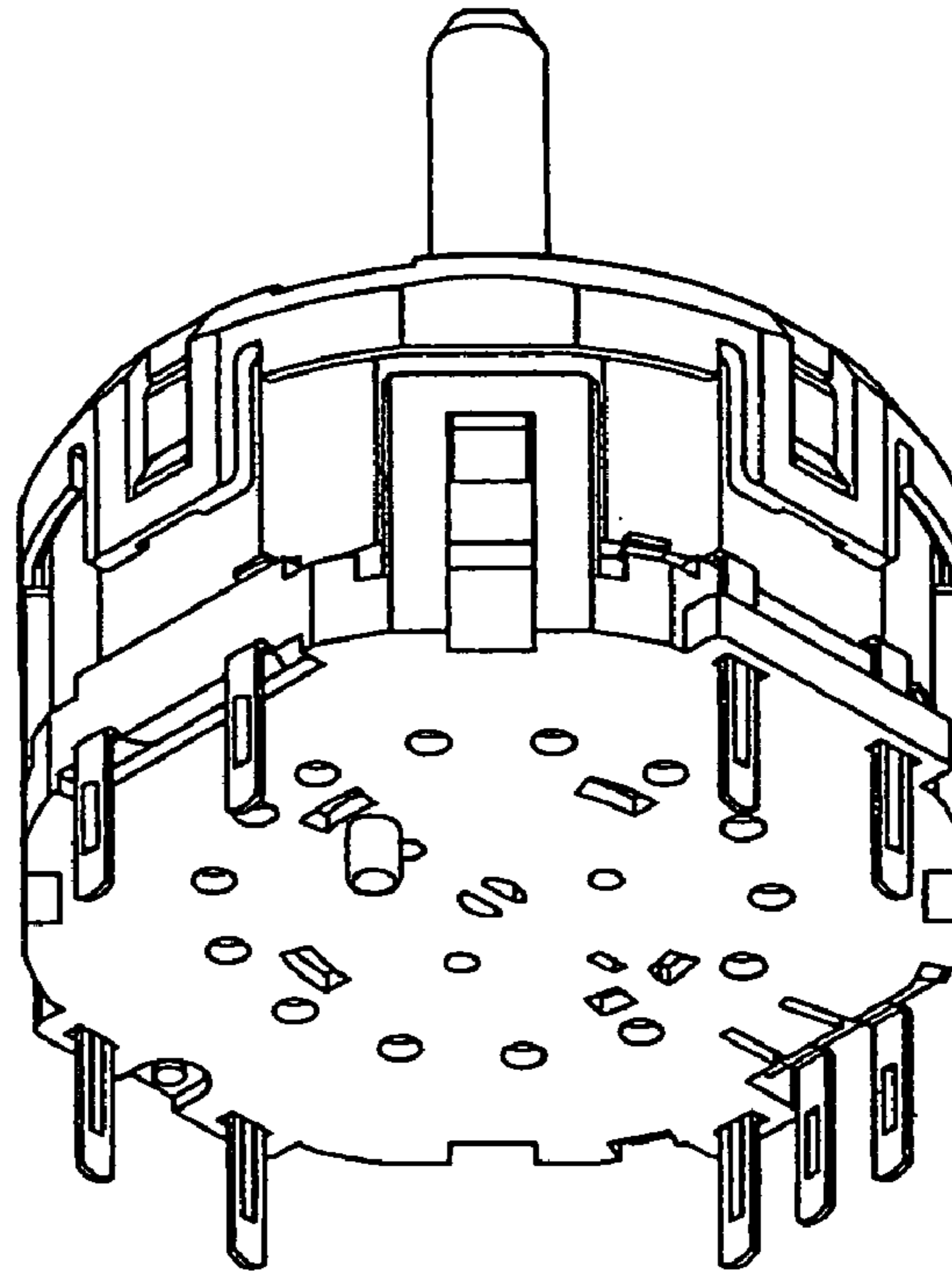
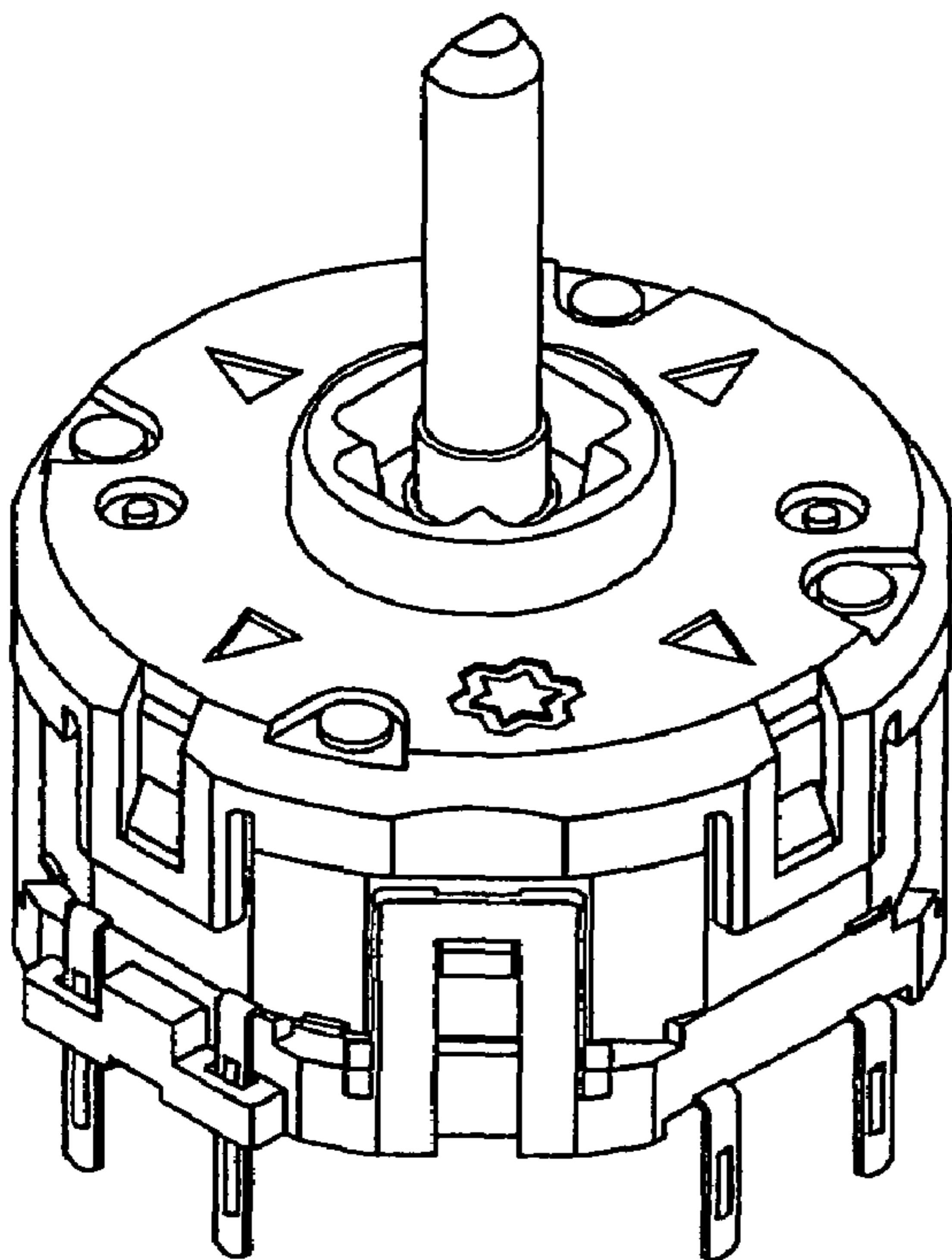


FIG. 1

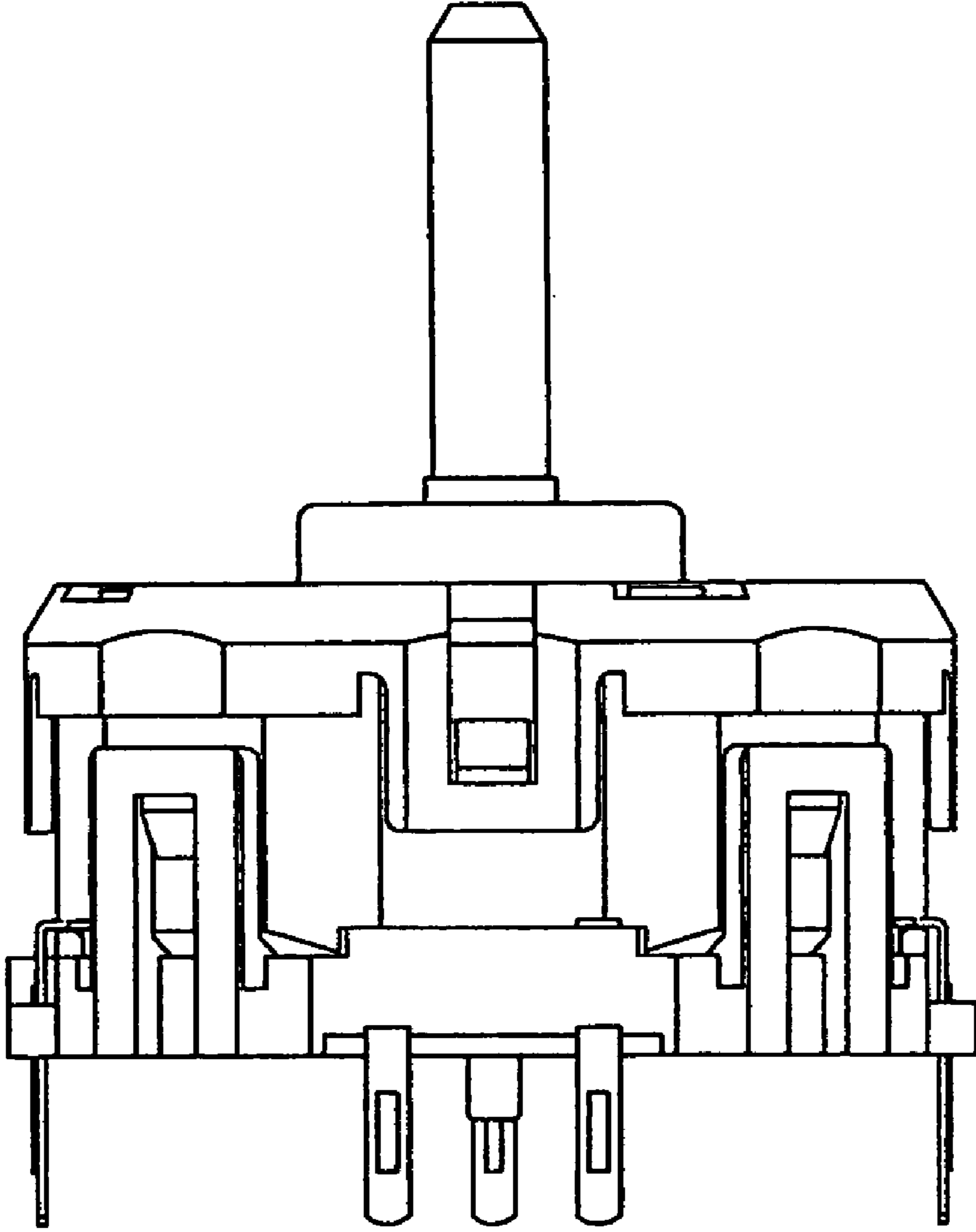
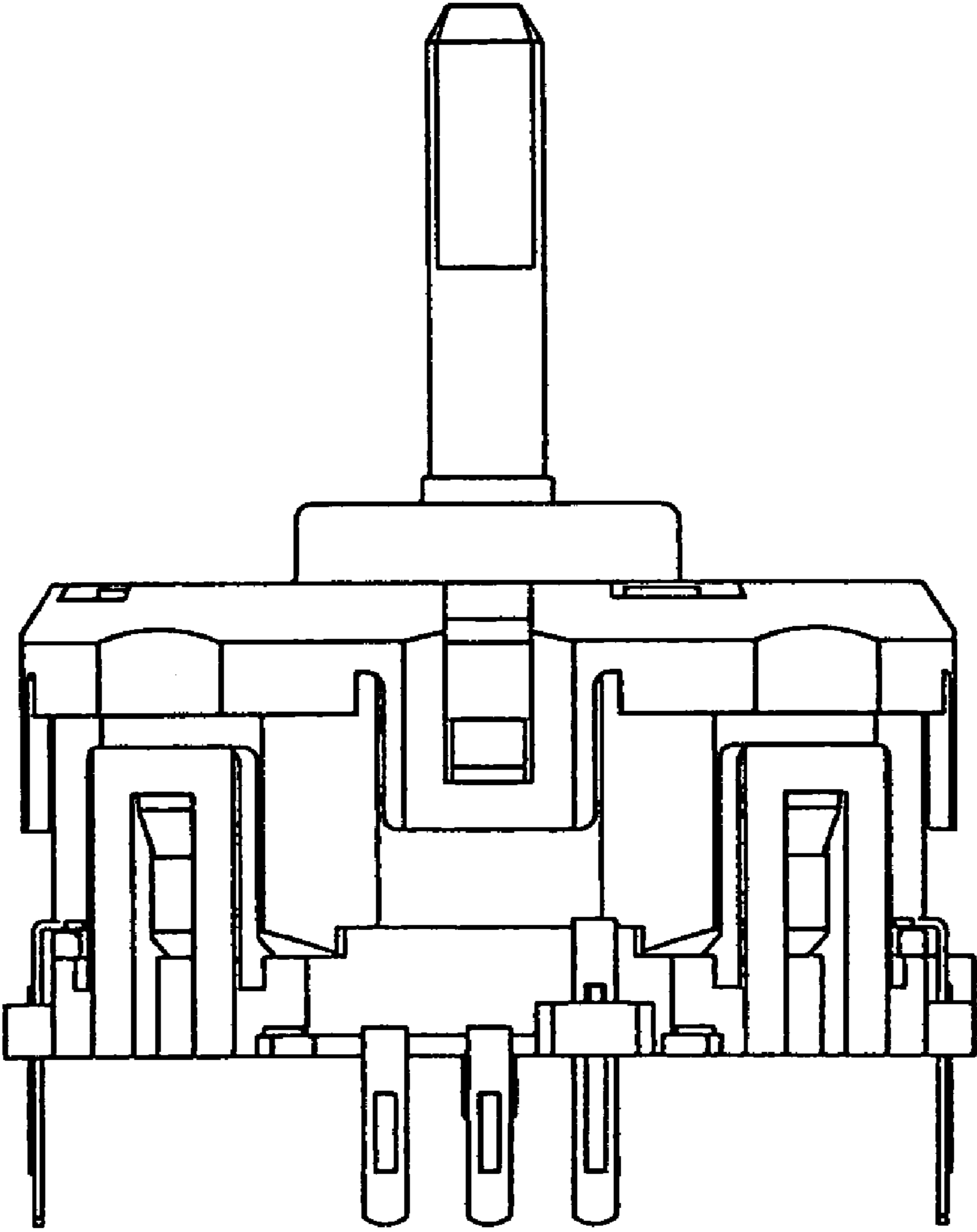


FIG. 2



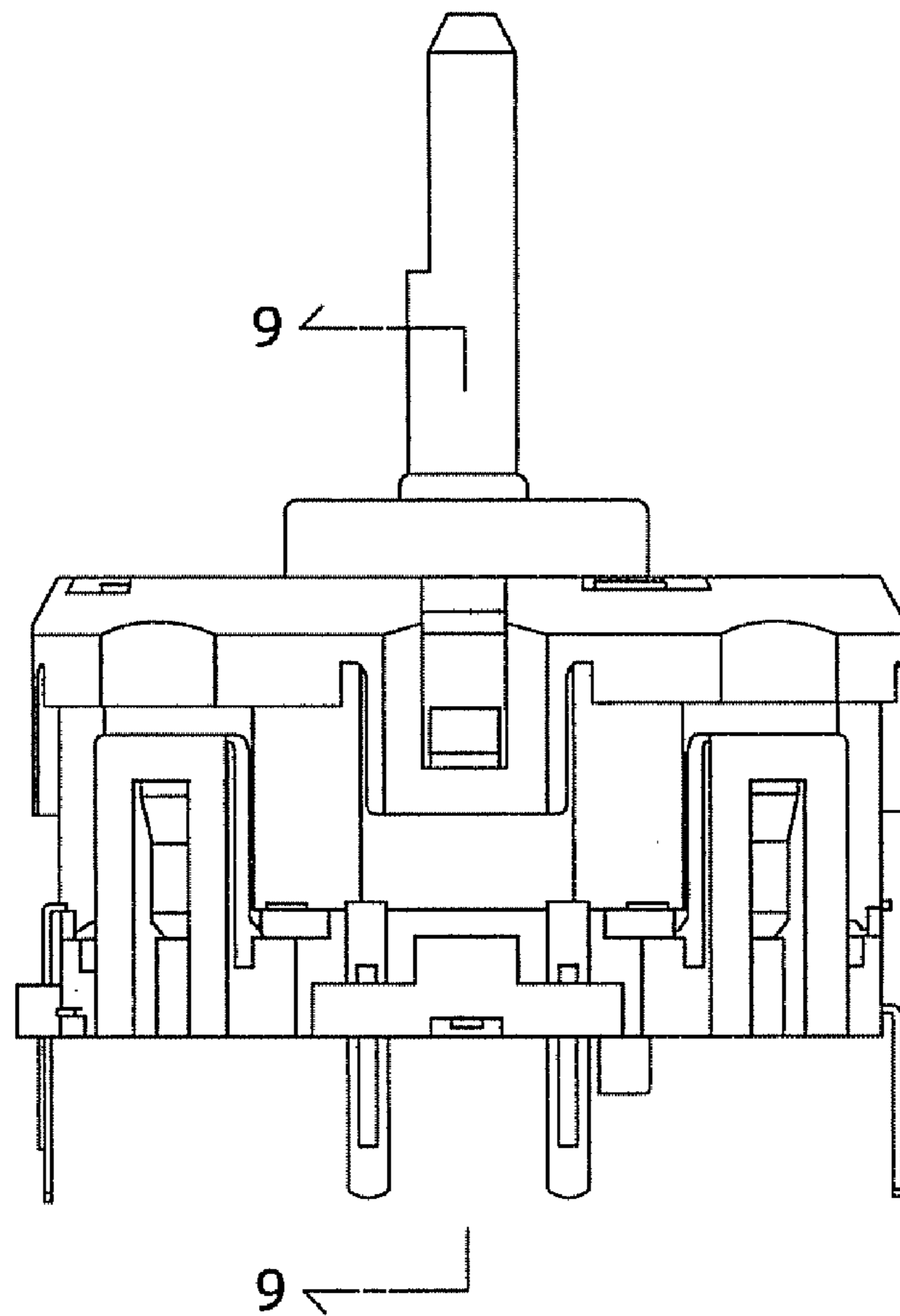


FIG. 3

FIG. 4

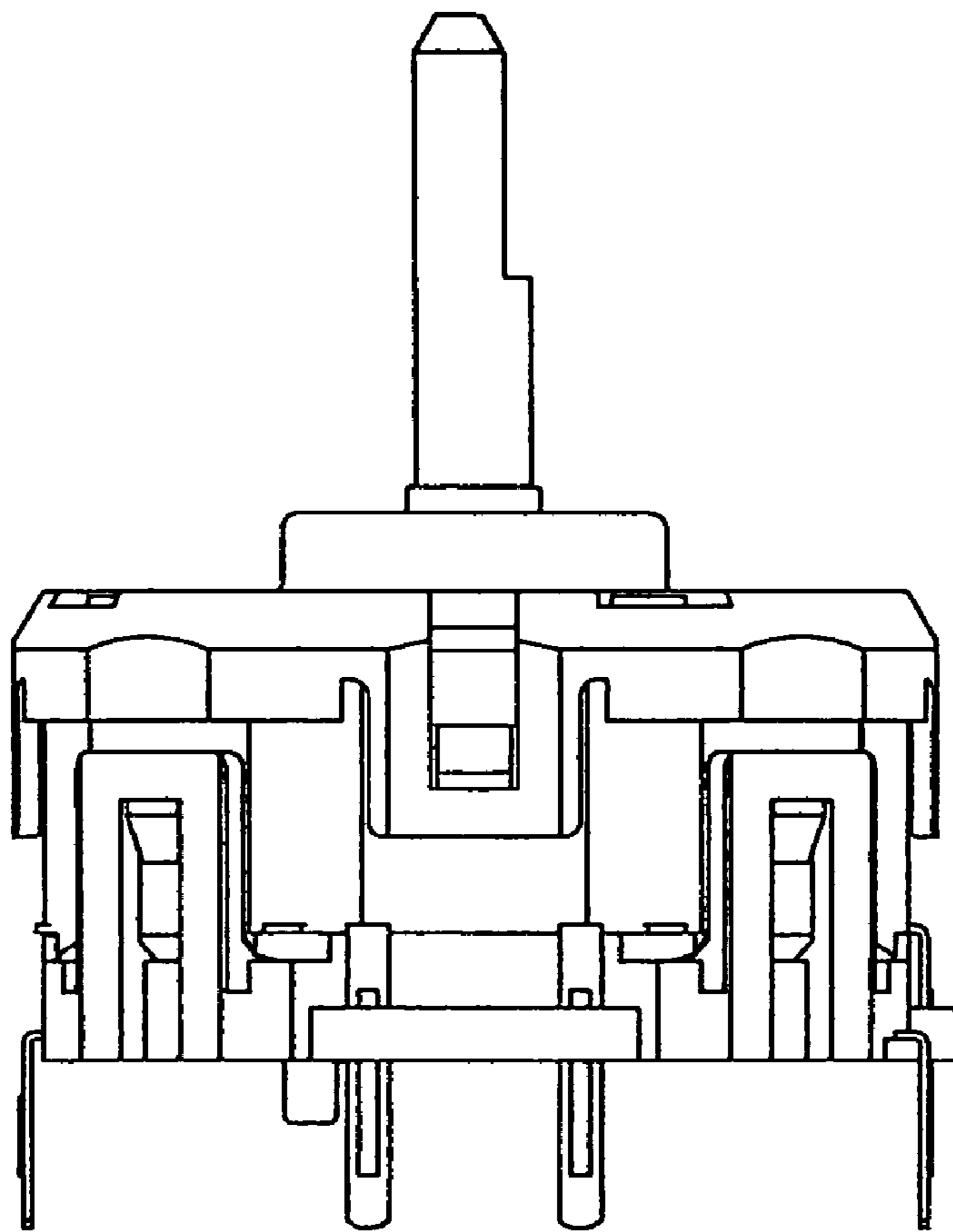


FIG. 5

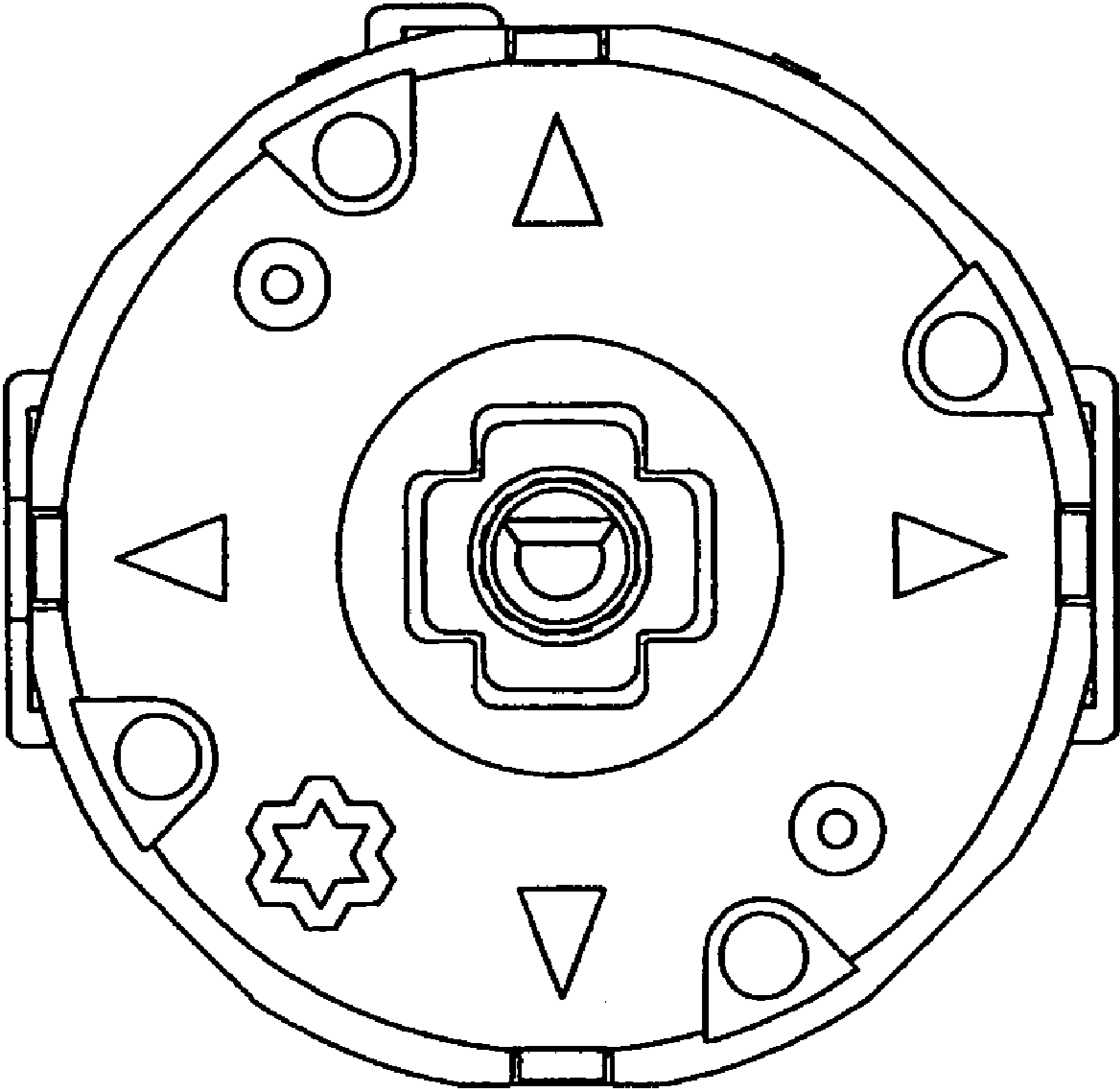


FIG. 6

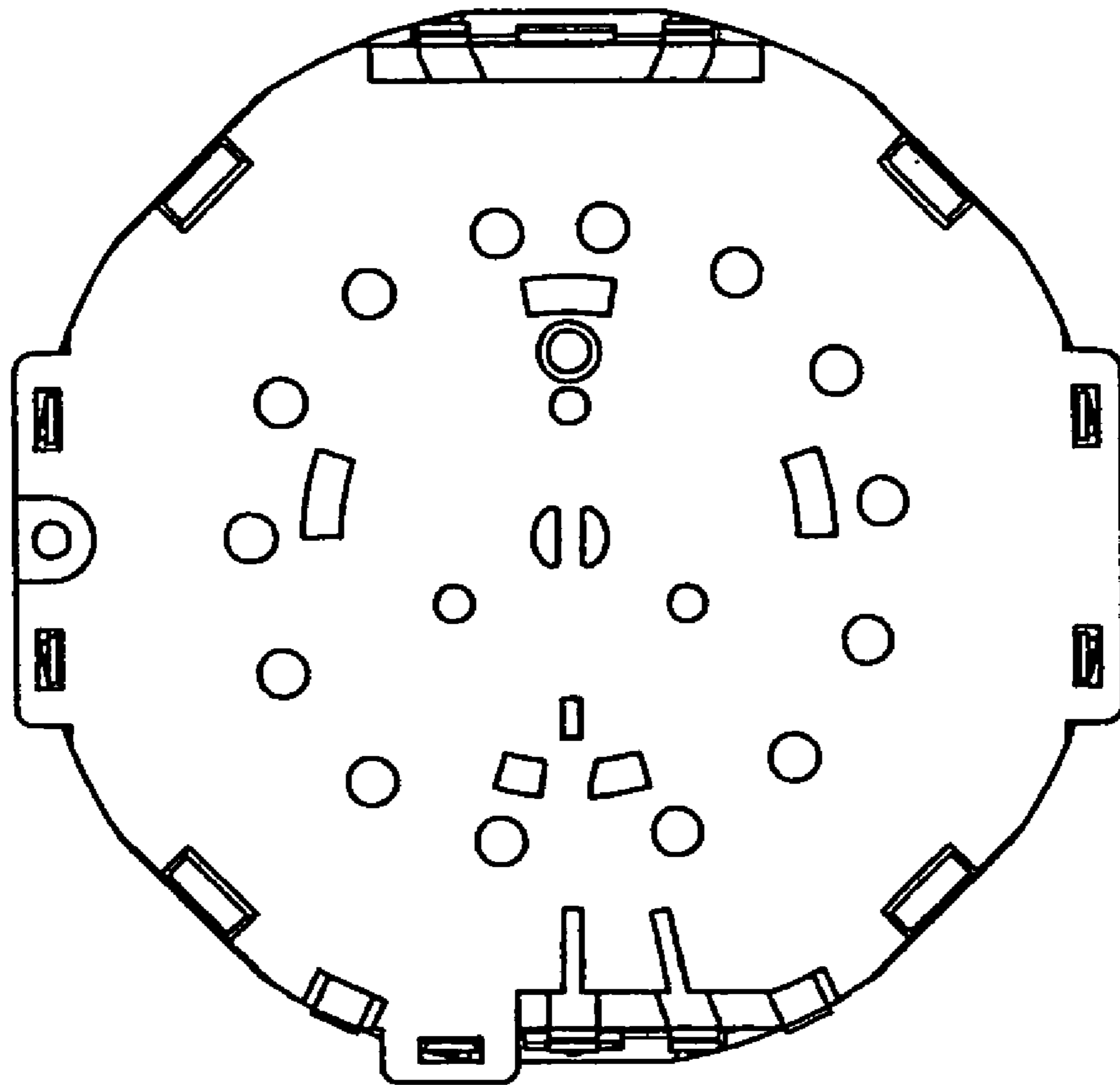


FIG. 7

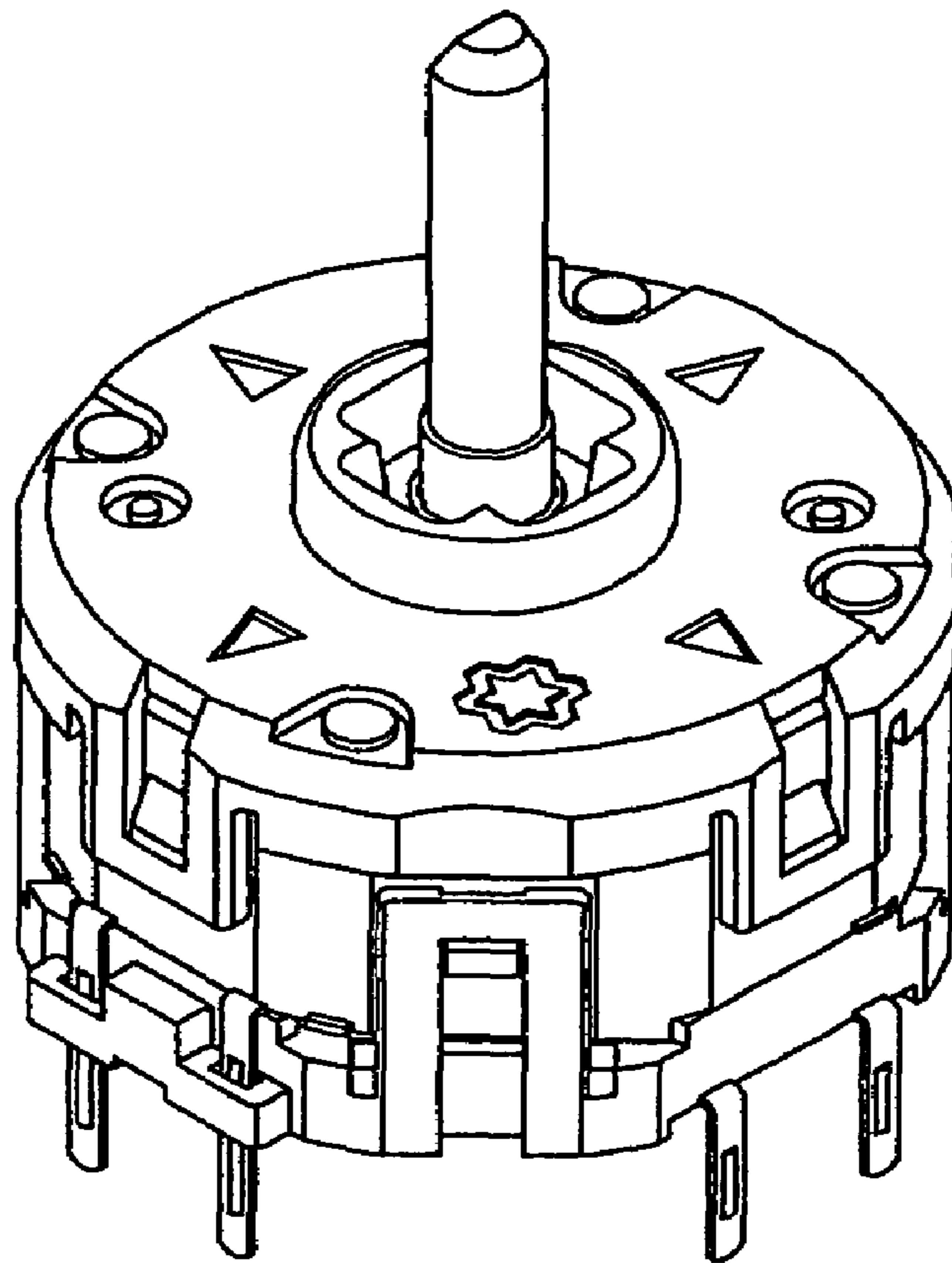
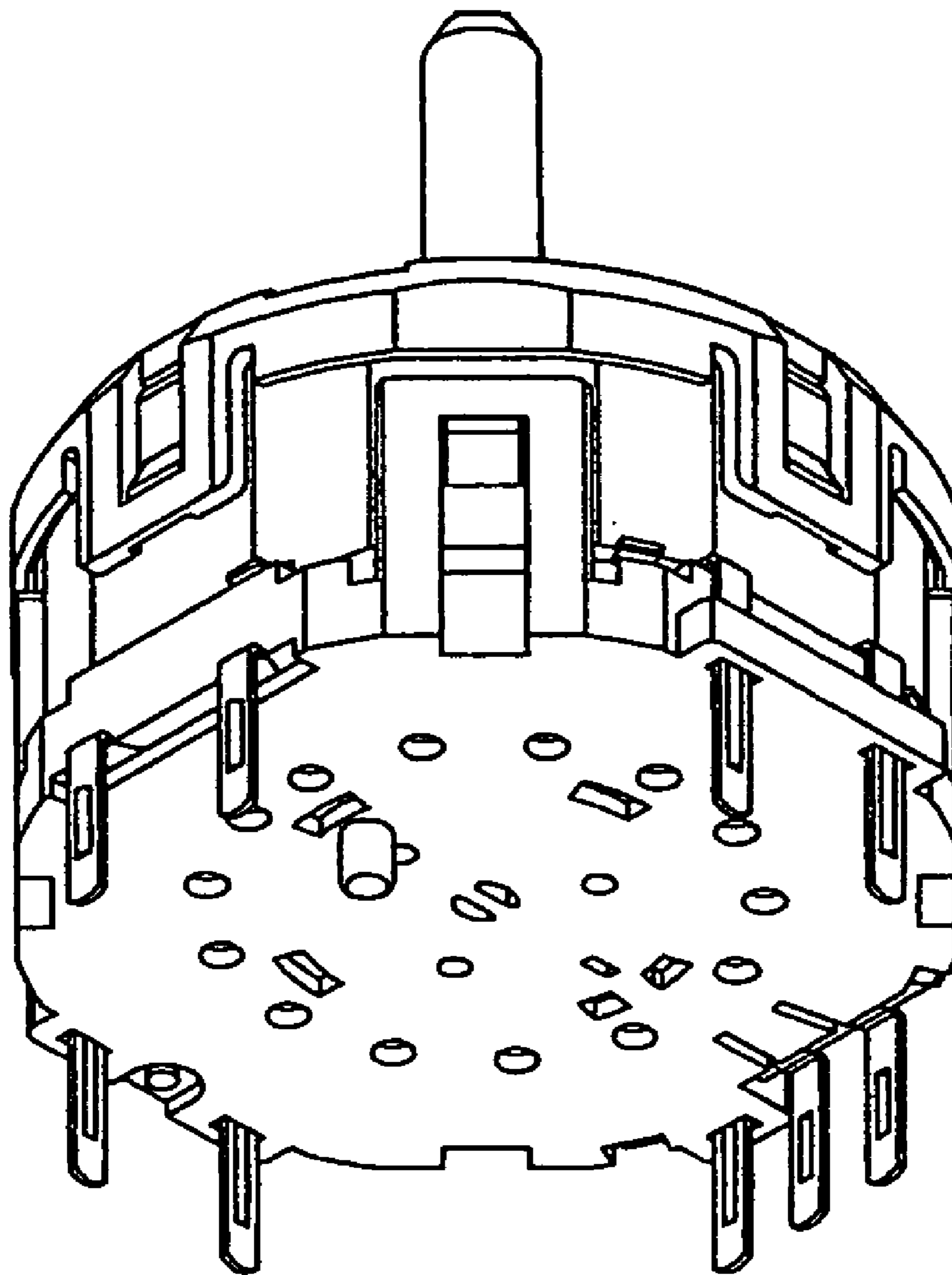


FIG. 8



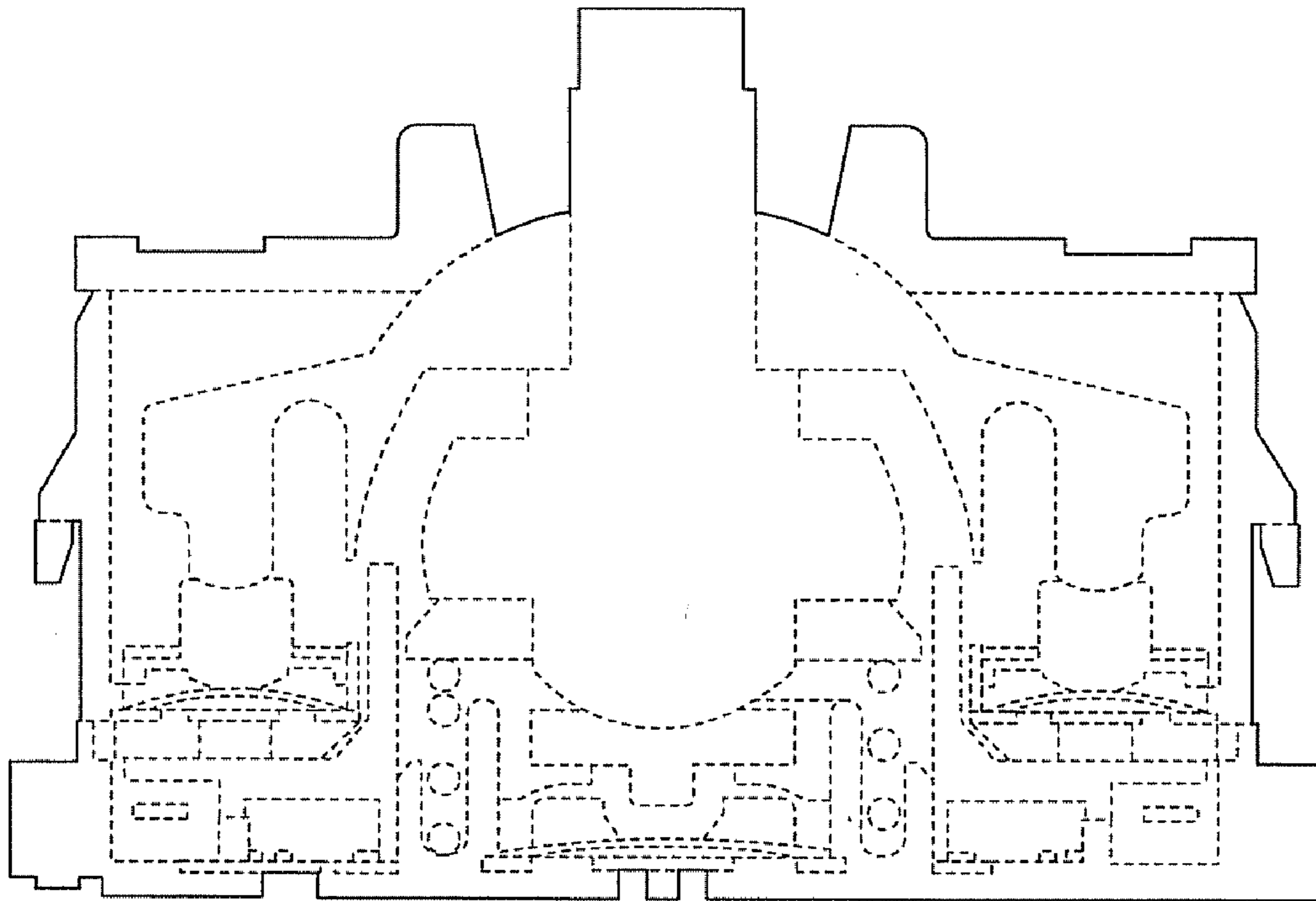


FIG. 9