



US00D588549S

(12) **United States Design Patent**
Lee et al.

(10) **Patent No.:** **US D588,549 S**
(45) **Date of Patent:** **** Mar. 17, 2009**

(54) **CONNECTOR**

(75) Inventors: **Noel Lee**, Las Vegas, NV (US); **Jacky Hsiusng**, San Jose, CA (US)

(73) Assignee: **Monster Cable Products, Inc.**,
Brisbane, CA (US)

(**) Term: **14 Years**

(21) Appl. No.: **29/307,353**

(22) Filed: **Jan. 14, 2008**

Related U.S. Application Data

(62) Division of application No. 29/248,946, filed on Sep. 12, 2006, now Pat. No. Des. 563,872.

(51) **LOC (9) Cl.** **13-03**

(52) **U.S. Cl.** **D13/154; D13/133**

(58) **Field of Classification Search** D13/133,
D13/153, 154, 184; 439/502, 505, 578, 607-610,
439/623, 680, 686; 385/53, 55, 56, 72, 76,
385/78, 84

See application file for complete search history.

(56) **References Cited**

U.S. PATENT DOCUMENTS

D435,775 S *	1/2001	Rothschild et al.	D8/98
6,619,994 B1 *	9/2003	Chen et al.	439/669
D563,872 S *	3/2008	Lee et al.	D13/133
D574,775 S *	8/2008	Amidon	D13/133
2002/0146212 A1 *	10/2002	Wong	385/76

* cited by examiner

Primary Examiner—Daniel D Bui

(74) *Attorney, Agent, or Firm*—LaRiviere, Grubman & Payne, LLP

(57) **CLAIM**

The ornamental design for a connector, as shown and described.

DESCRIPTION

A portion of the disclosure of this patent document contains material which is subject to copyright protection. The copyright owner has no objection to the facsimile reproduction by any one of the patent document or the patent disclosure, as it appears in the Patent and Trademark Office patent file or records, but otherwise reserves all copyright rights whatsoever.

FIG. 1 is a top, front and side perspective view of a connector showing our new design;

FIG. 2 is a top, front and side perspective view thereof, without the top-unclaimed portion;

FIG. 3 is front elevation view thereof, with the top-unclaimed portion;

FIG. 4 is a rear elevation view thereof;

FIG. 5 is a side elevation view thereof;

FIG. 6 is an opposite side elevation view thereof;

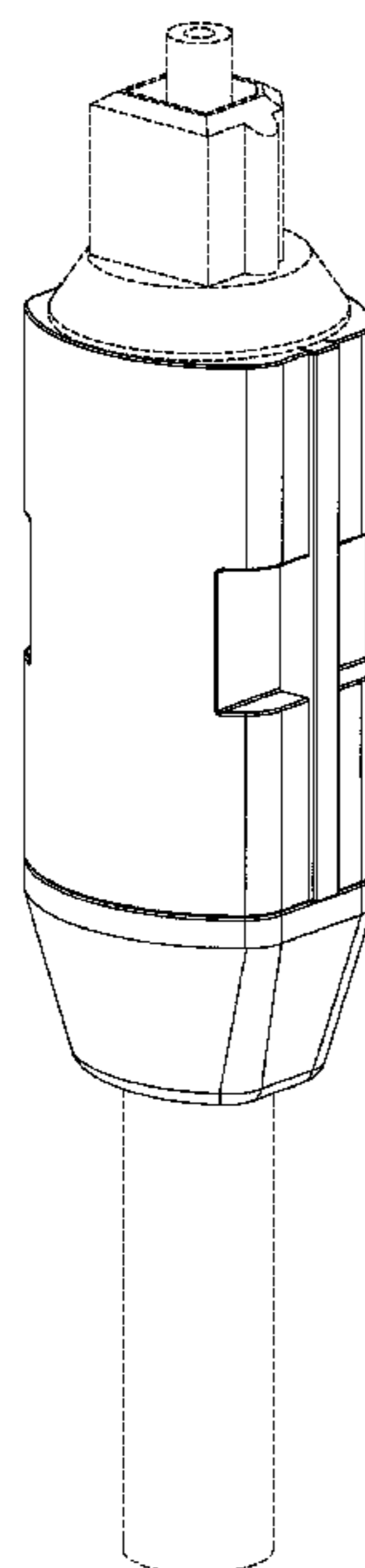
FIG. 7 is a top plan view thereof, on an enlarged scale;

FIG. 8 is a top plan view thereof, without the top-unclaimed portion; and,

FIG. 9 is a bottom plan view thereof.

The broken line showing of the environment is for illustrative purposes only and forms no part of the claimed design.

1 Claim, 4 Drawing Sheets



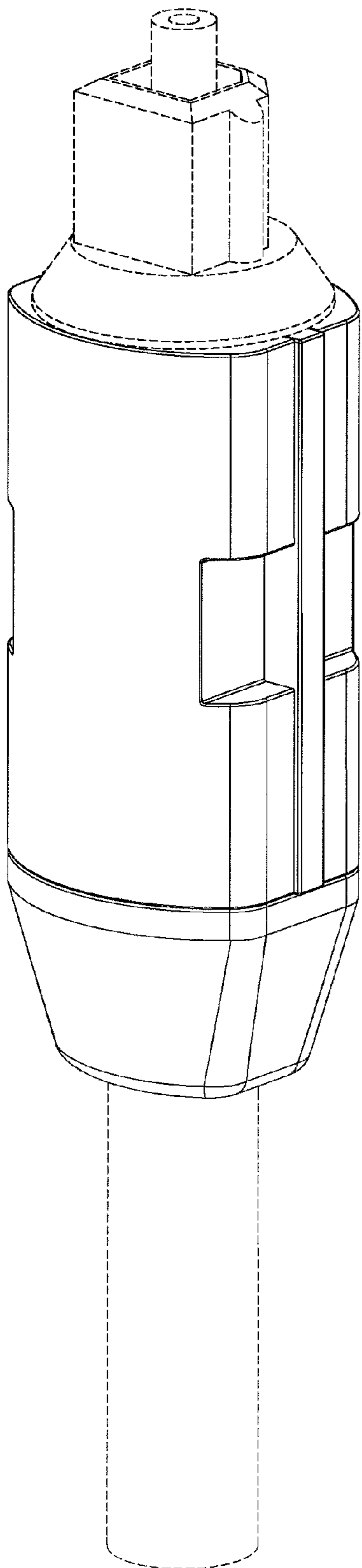


Figure 1

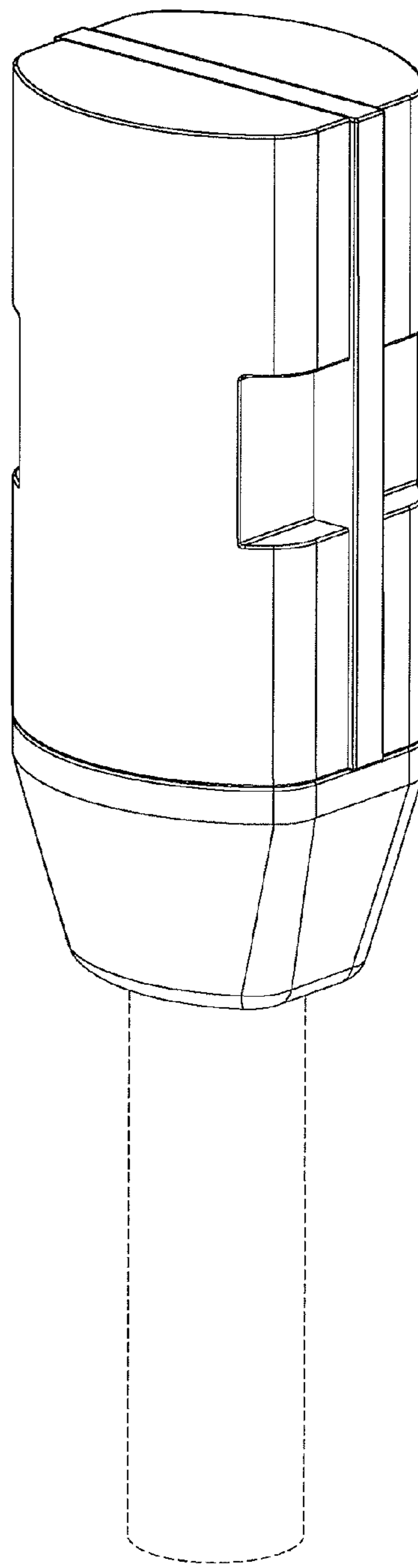


Figure 2

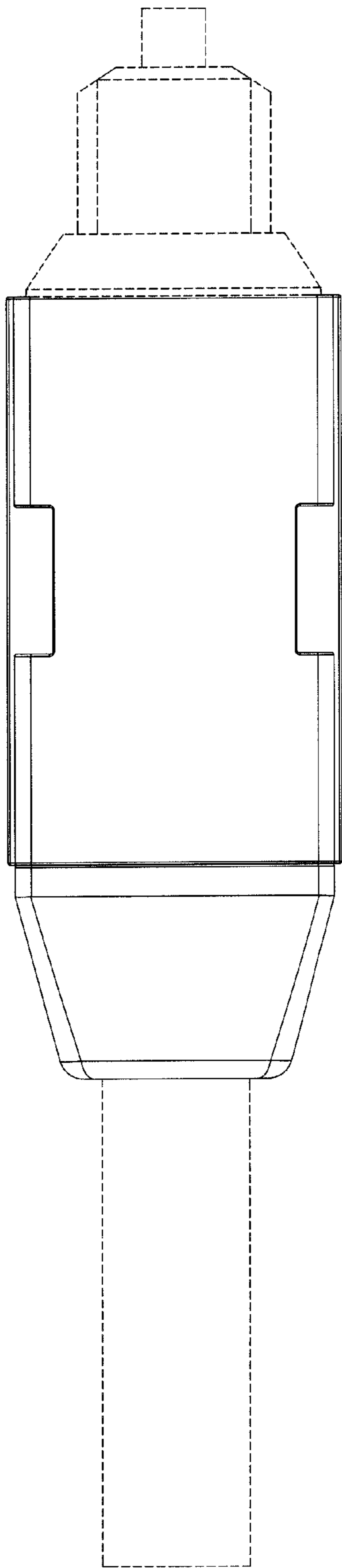


Figure 3

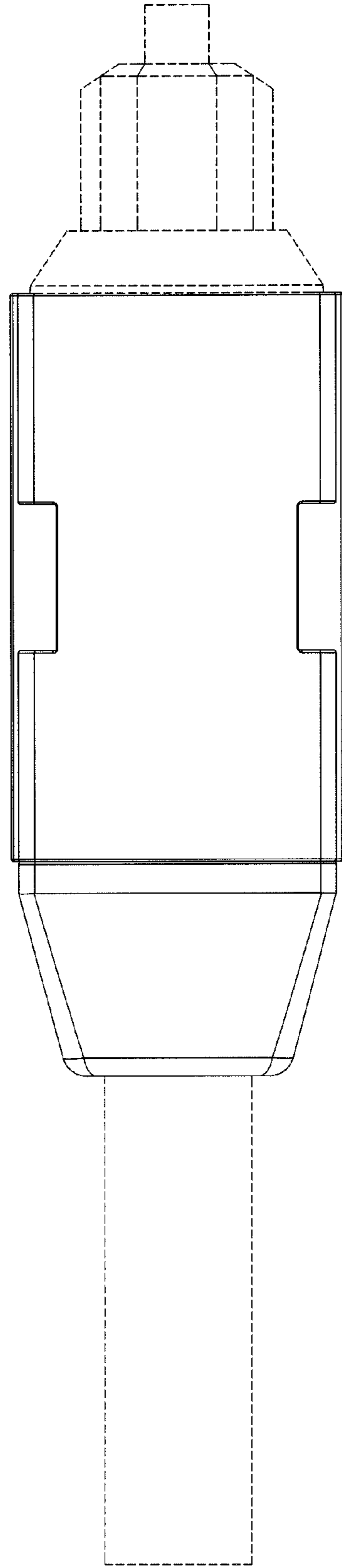


Figure 4

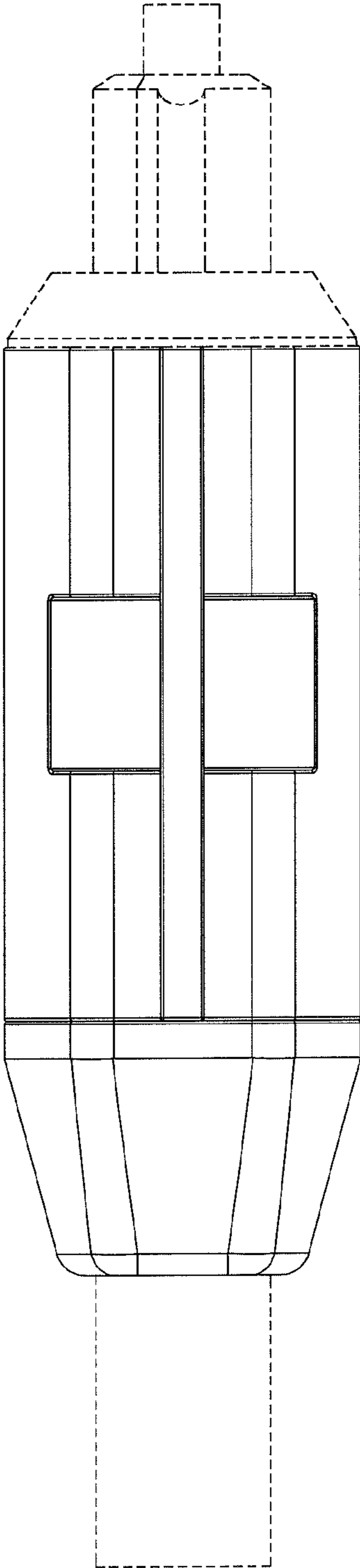


Figure 5

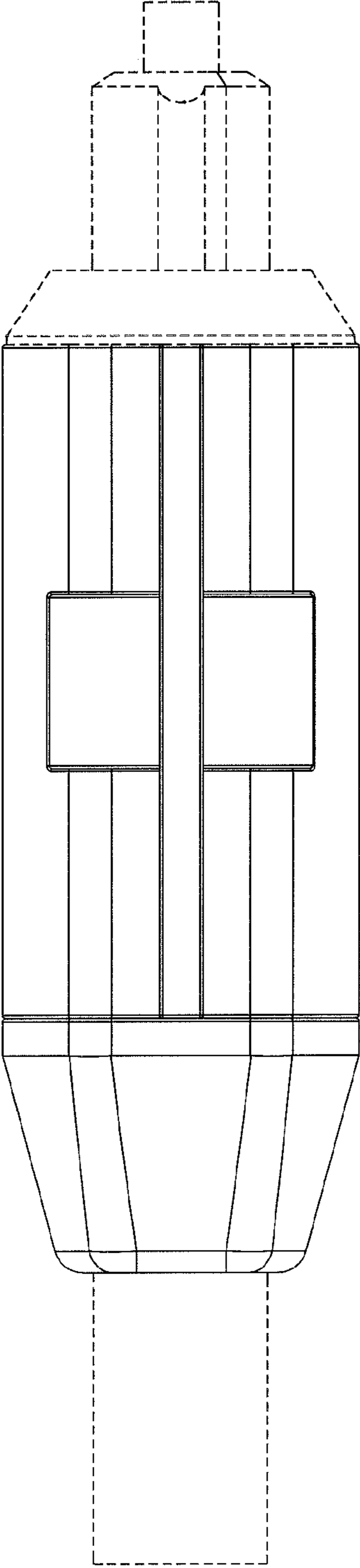


Figure 6

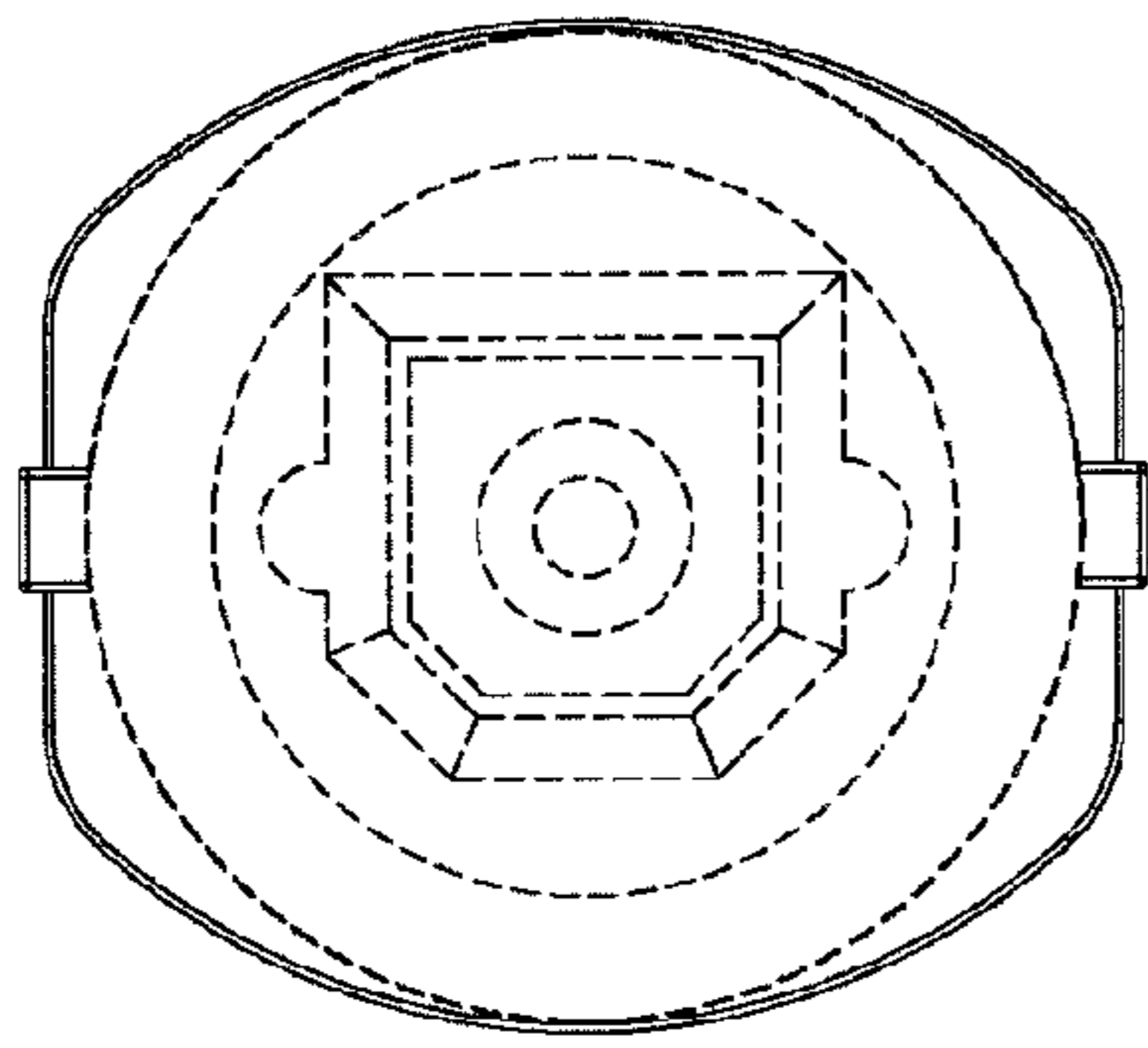


Figure 7

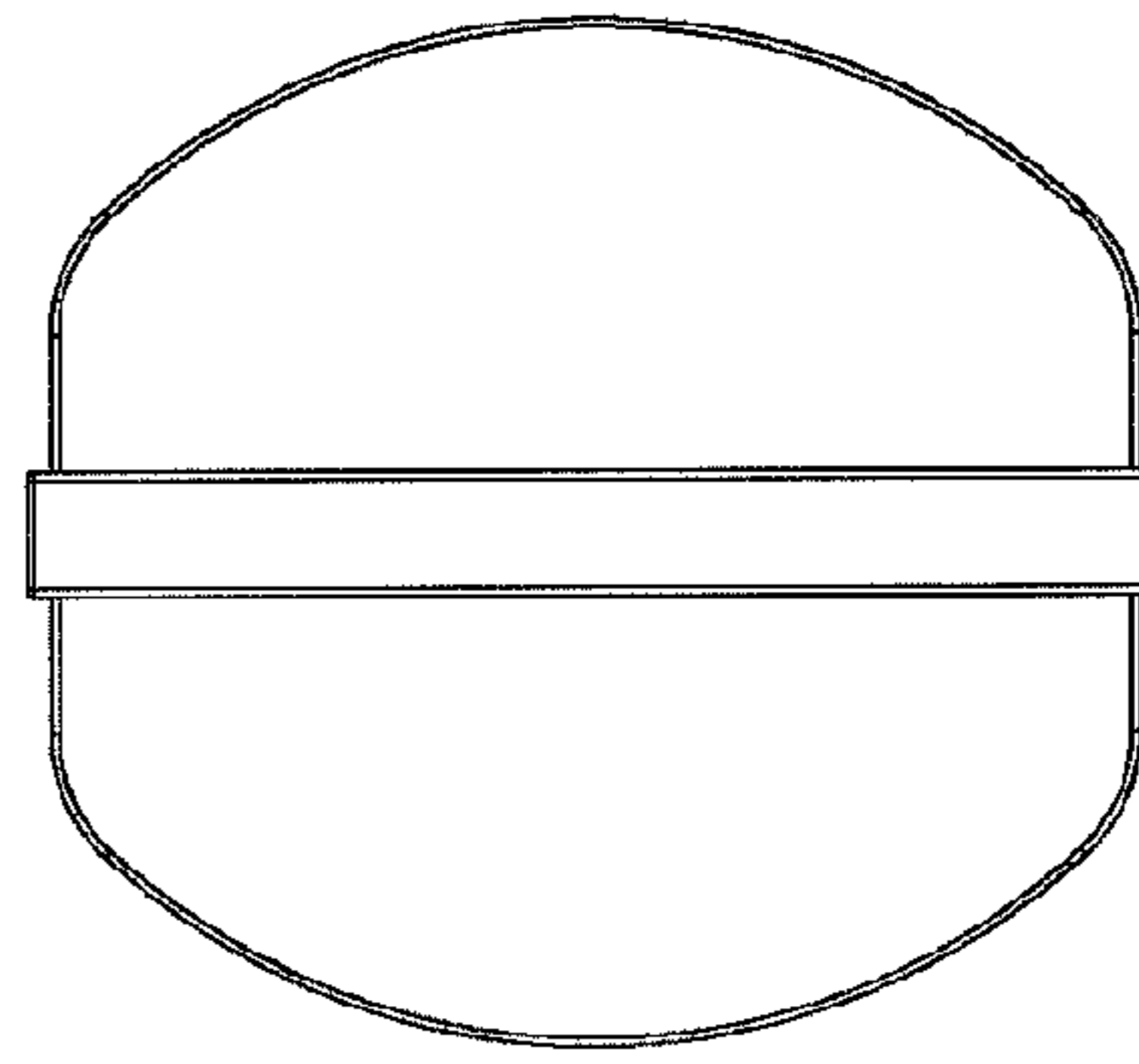


Figure 8

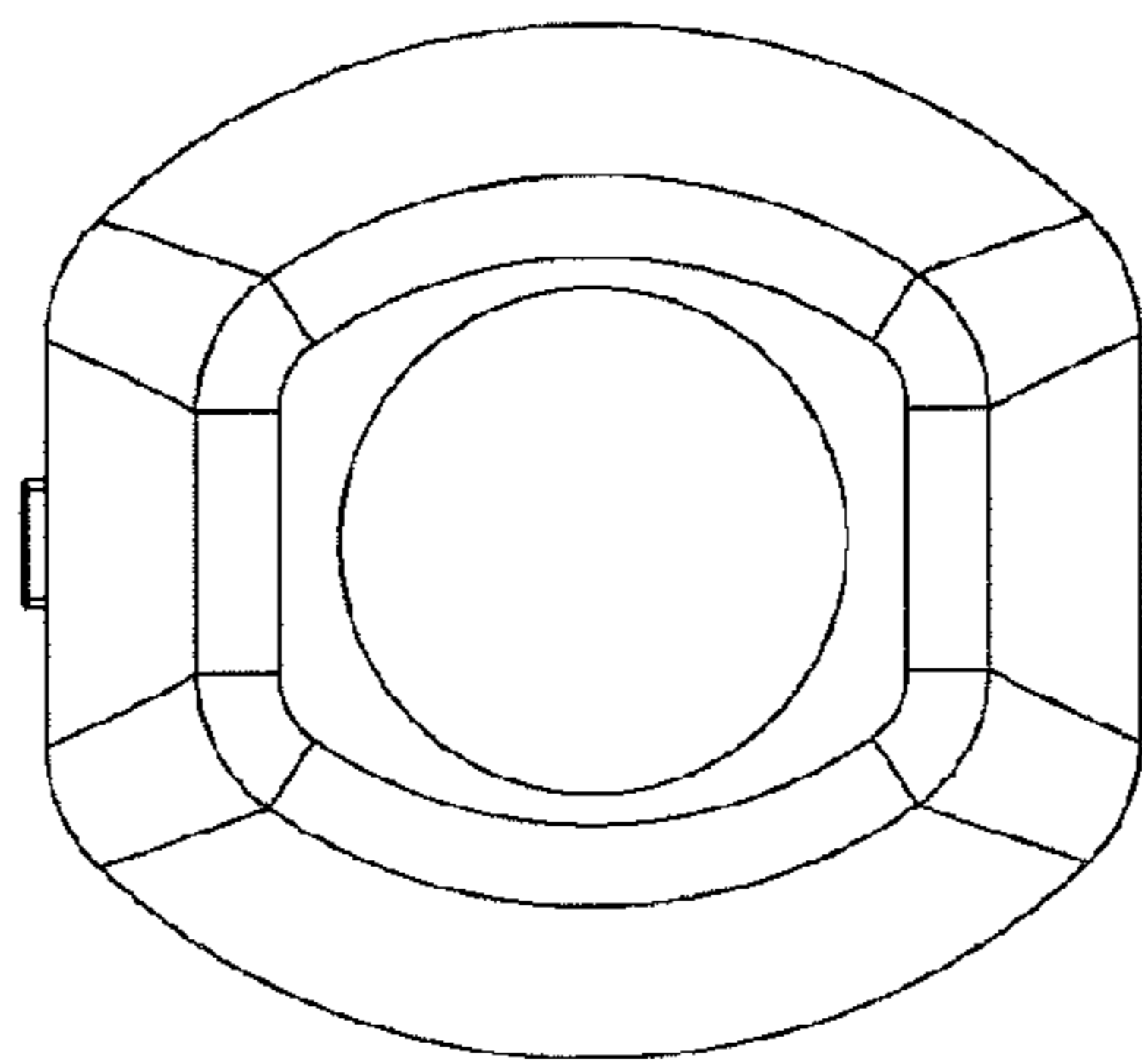


Figure 9