



US00D588548S

(12) **United States Design Patent**  
**Lee et al.**

(10) **Patent No.:** **US D588,548 S**  
(45) **Date of Patent:** **\*\* Mar. 17, 2009**

(54) **CABLE CONNECTOR**

*Primary Examiner*—Daniel D Bui

(76) Inventors: **Noel Lee**, 9817 Winter Palace, Las Vegas, NV (US) 89145-8639; **Jacky Hsiung**, 1556 Chihong Dr., San Jose, CA (US) 95131

(57) **CLAIM**

The ornamental design for a cable connector, as shown and described.

(\*\*) Term: **14 Years**

(21) Appl. No.: **29/299,110**

(22) Filed: **Dec. 19, 2007**

(51) **LOC (9) Cl.** ..... **13-03**

(52) **U.S. Cl.** ..... **D13/154; D13/147**

(58) **Field of Classification Search** ..... D13/133,  
D13/146–147, 153, 154, 184; D14/432,  
D14/433, 435, 438; 439/350, 447, 607–610,  
439/660, 677, 680–682

See application file for complete search history.

**DESCRIPTION**

A portion of the disclosure of this patent document contains material which is subject to copyright protection. The copyright owner has no objection to the facsimile reproduction by any one of the patent document or the patent disclosure, as it appears in the Patent and Trademark Office patent file or records, but otherwise reserves all copyright rights whatsoever.

FIG. 1 is a perspective view of a cable connector, showing our new design;

FIG. 2 is a front elevation view thereof;

FIG. 3 is a rear elevation view thereof;

FIG. 4 is a side elevation view thereof;

FIG. 5 is a side elevation view of the opposite side view shown in FIG. 4;

FIG. 6 is a top plan view thereof; and,

FIG. 7 is a bottom plan view thereof.

The broken line showing of the environment is for illustrative purposes only and forms no part of the claimed design.

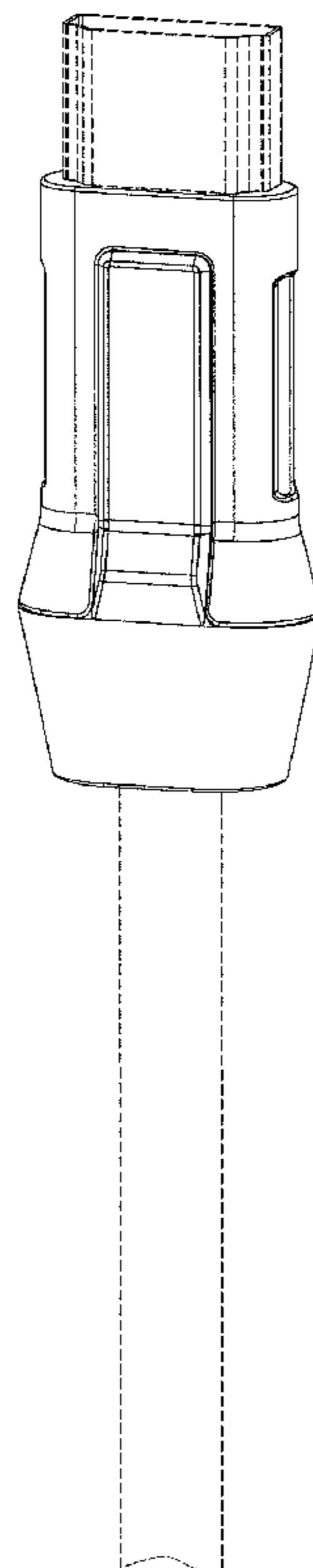
(56) **References Cited**

U.S. PATENT DOCUMENTS

D512,381 S *	12/2005	Sirichai et al. ....	D13/154
D516,032 S *	2/2006	Suckle et al. ....	D13/147
D537,780 S *	3/2007	Suckle .....	D13/133
D543,155 S *	5/2007	Suckle .....	D13/154
D543,156 S *	5/2007	Suckle .....	D13/154
D543,157 S *	5/2007	Suckle .....	D13/154
D549,662 S *	8/2007	Lee et al. ....	D13/154
D563,872 S *	3/2008	Lee et al. ....	D13/133
D563,899 S *	3/2008	Goetz et al. ....	D13/154

\* cited by examiner

**1 Claim, 4 Drawing Sheets**



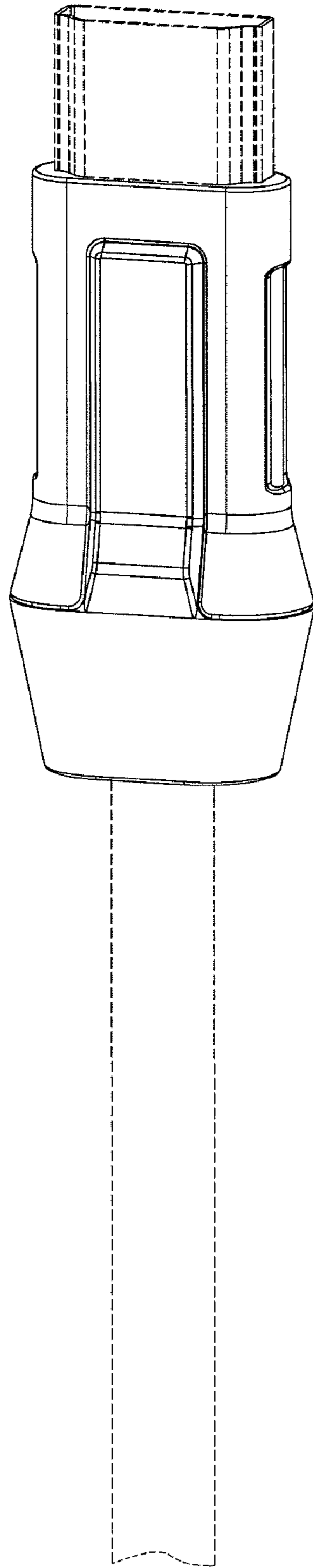


Figure 1

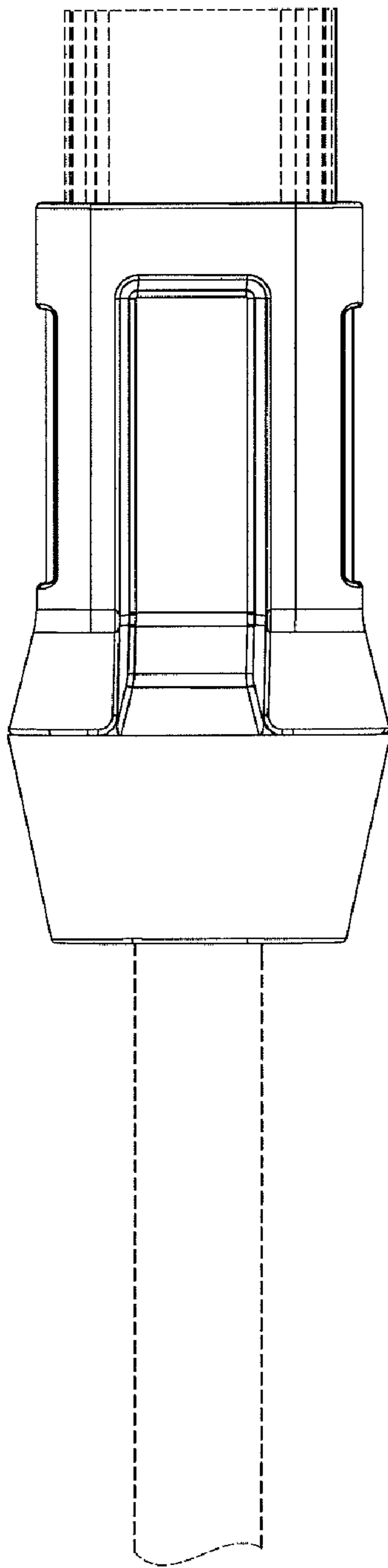


Figure 2

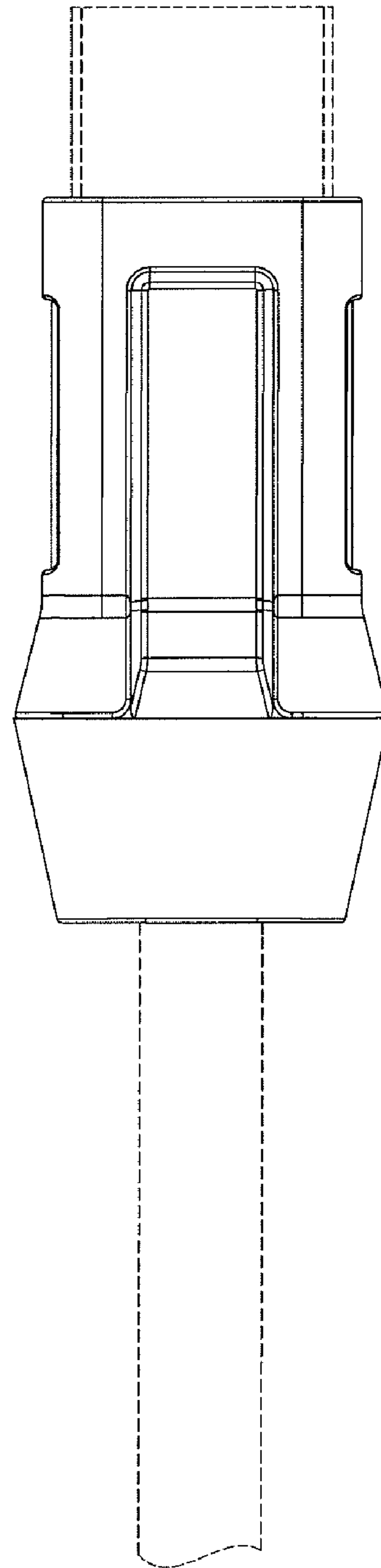


Figure 3

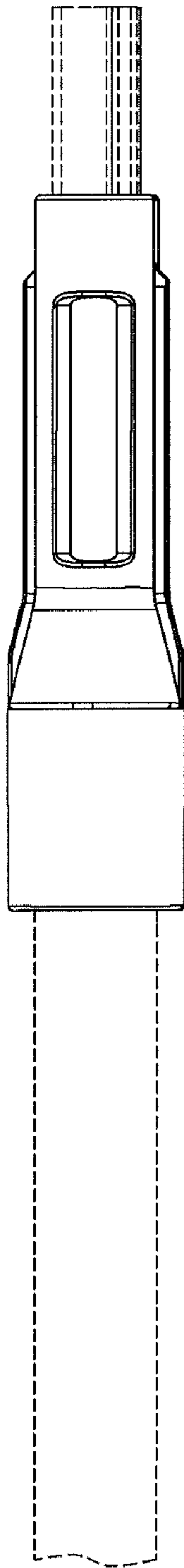


Figure 4

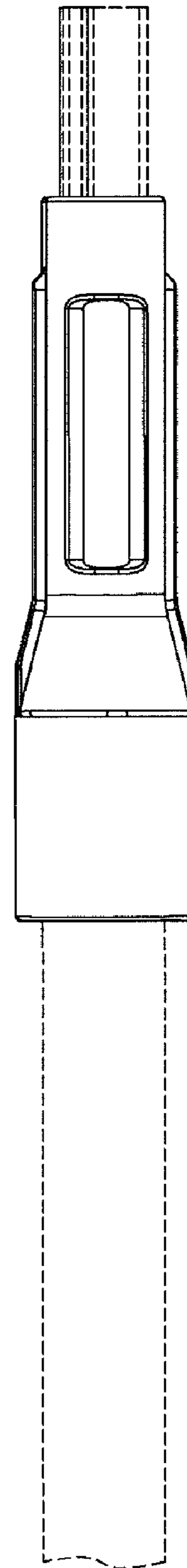


Figure 5

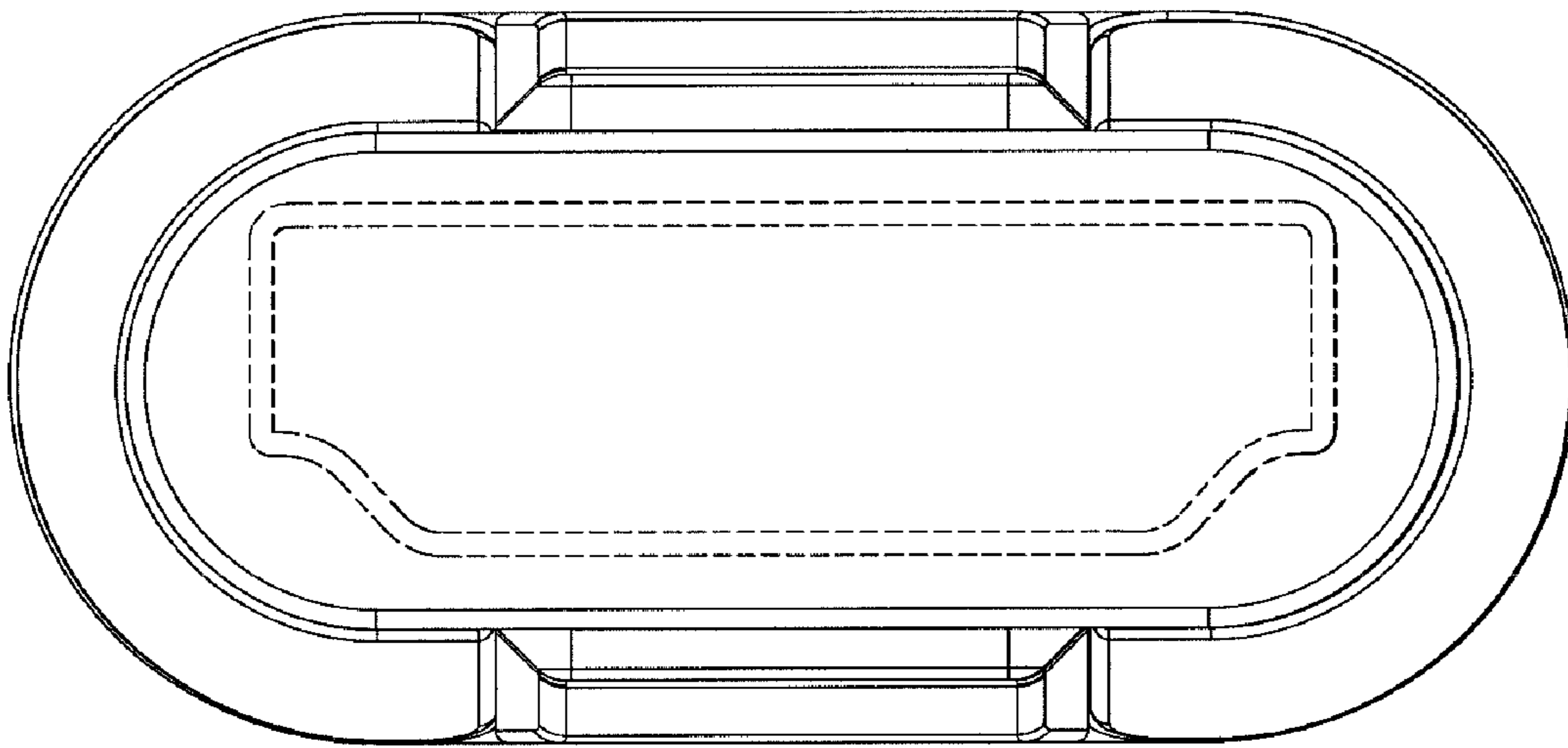


Figure 6

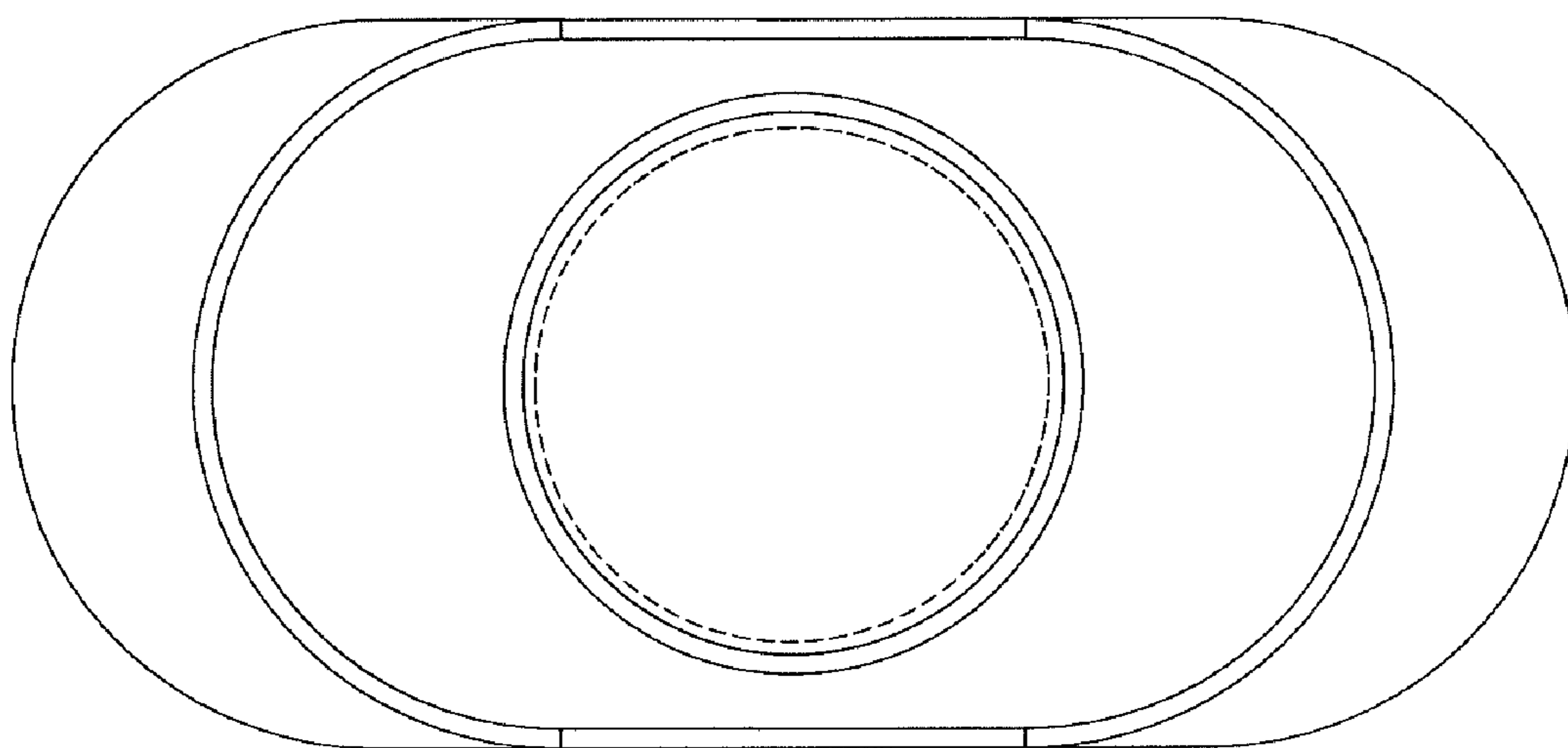


Figure 7