



US00D588547S

(12) **United States Design Patent**
Lee et al.

(10) **Patent No.:** **US D588,547 S**
(45) **Date of Patent:** **** Mar. 17, 2009**

(54) **CABLE CONNECTOR**

(75) Inventors: **Noel Lee**, Las Vegas, NV (US); **Jacky Hsiung**, San Jose, CA (US)

(73) Assignee: **Monster Cable Products, Inc.**,
Brisbane, CA (US)

(**) Term: **14 Years**

(21) Appl. No.: **29/284,080**

(22) Filed: **Aug. 30, 2007**

(51) **LOC (9) Cl.** **13-03**

(52) **U.S. Cl.** **D13/154**

(58) **Field of Classification Search** D13/133,
D13/146–147, 153, 154, 184; D14/432,
D14/433, 435, 438; 439/350, 447, 607–610,
439/660, 677, 680–682

See application file for complete search history.

(56) **References Cited**

U.S. PATENT DOCUMENTS

D491,894 S *	6/2004	Jiang	D13/147
D512,381 S *	12/2005	Sirichai et al.	D13/154
D516,030 S *	2/2006	Han et al.	D13/147
D520,457 S *	5/2006	Wada et al.	D13/156
D551,626 S *	9/2007	Ho et al.	D13/147
D563,872 S *	3/2008	Lee et al.	D13/133

* cited by examiner

Primary Examiner—Daniel D Bui

(74) *Attorney, Agent, or Firm*—LaRiviere, Grubman & Payne, LLP

(57) **CLAIM**

The ornamental design for a cable connector, as shown and described.

DESCRIPTION

A portion of the disclosure of this patent document contains material which is subject to copyright protection. The copyright owner has no objection to the facsimile reproduction by any one of the patent document or the patent disclosure, as it appears in the Patent and Trademark Office patent file or records, but otherwise reserves all copyright rights whatsoever.

FIG. 1 is a top, front and right side perspective view of a cable connector, showing our new design.

FIG. 2 is a front view thereof.

FIG. 3 is a rear view thereof.

FIG. 4 is a side view thereof.

FIG. 5 is an opposing side view thereof.

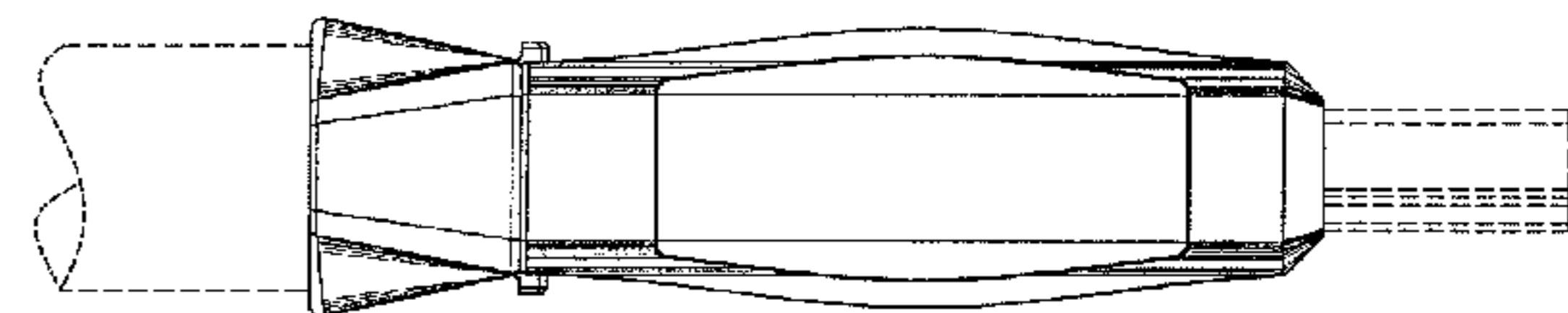
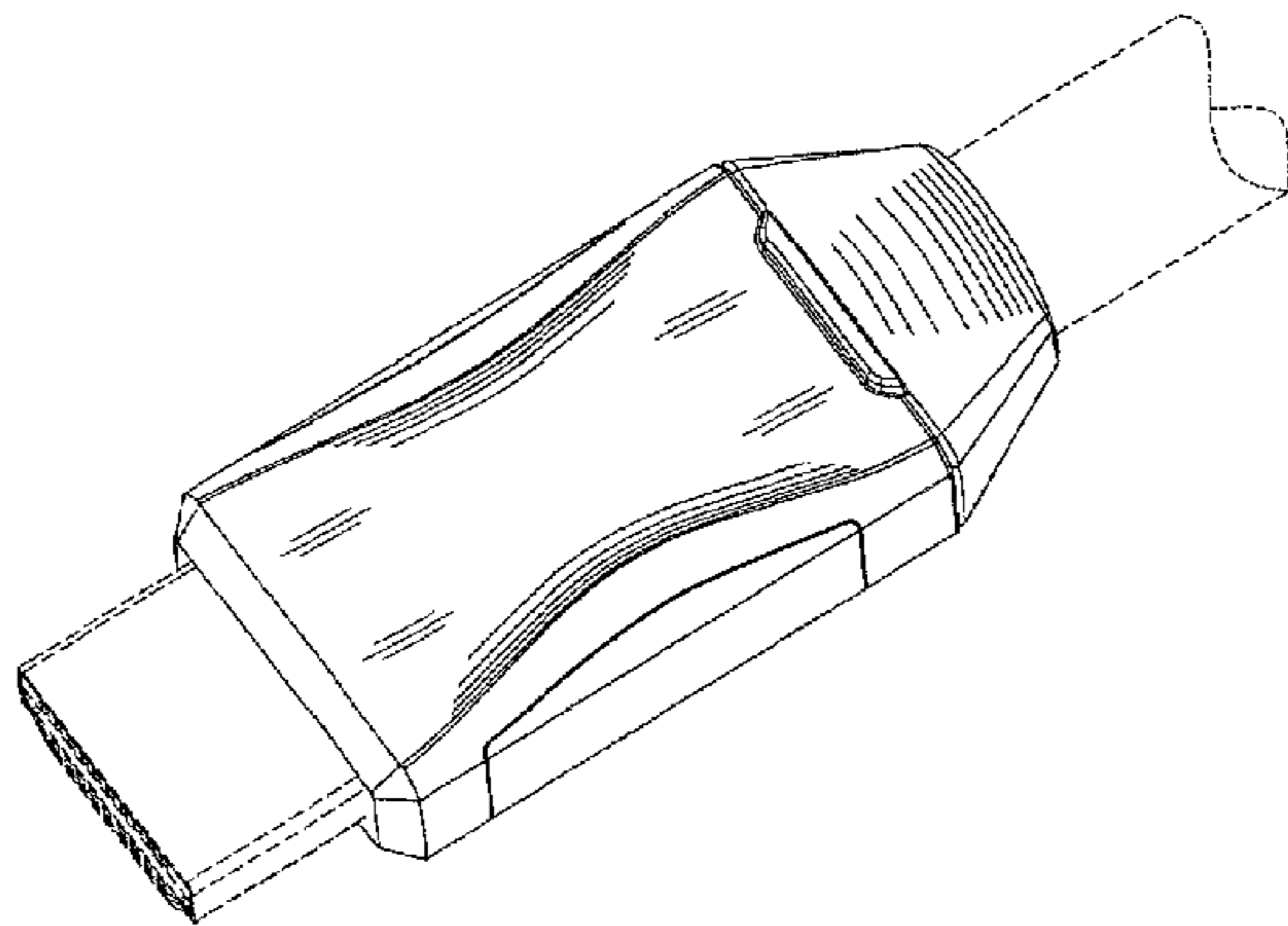
FIG. 6 is a top view thereof.

FIG. 7 is a top view thereof, shown without the top-unclaimed portion; and,

FIG. 8 is a bottom view thereof.

The broken lines showing the environment in the Figures are for illustrative purposes only and form no part of the claimed design.

1 Claim, 3 Drawing Sheets



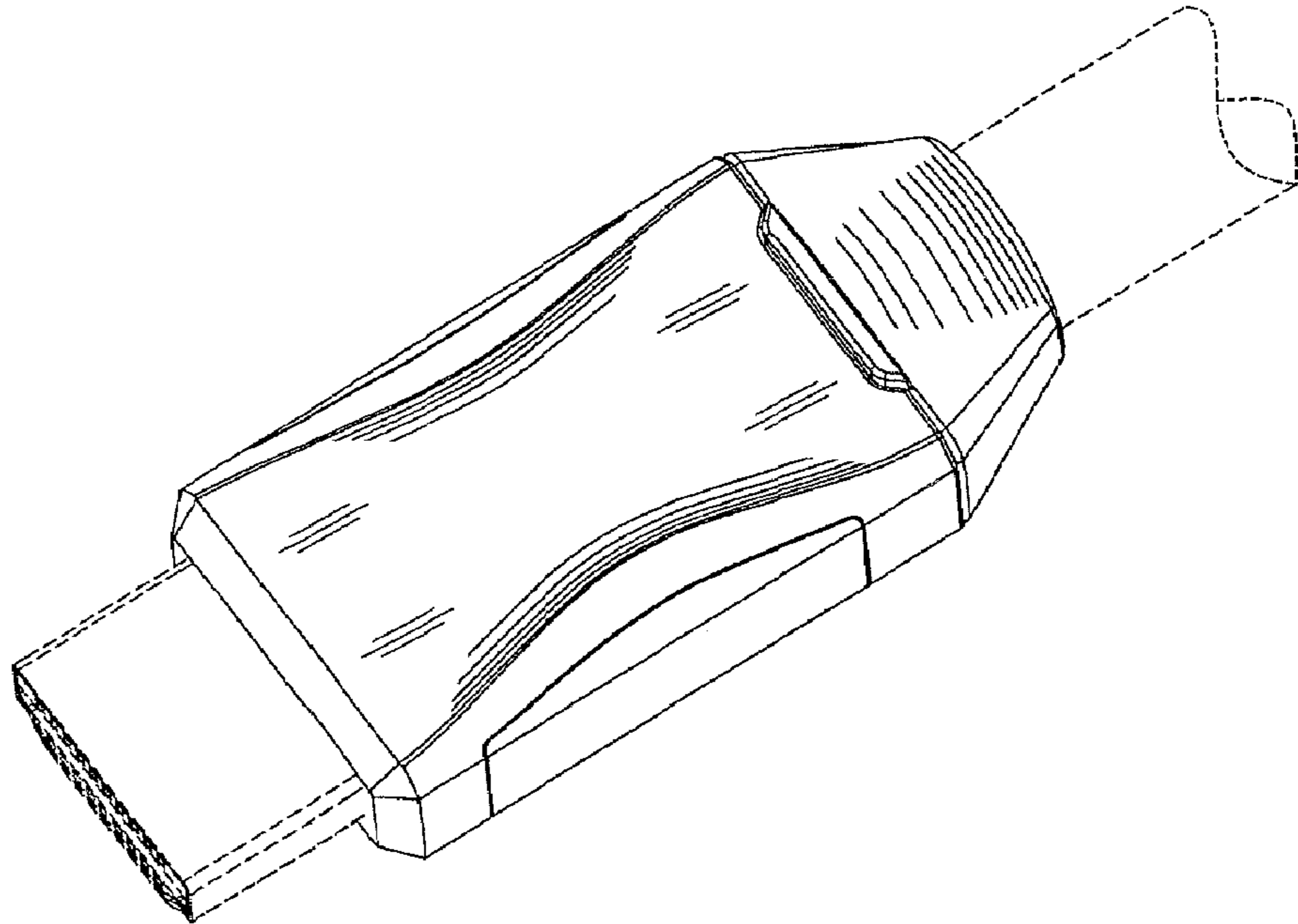


Figure 1

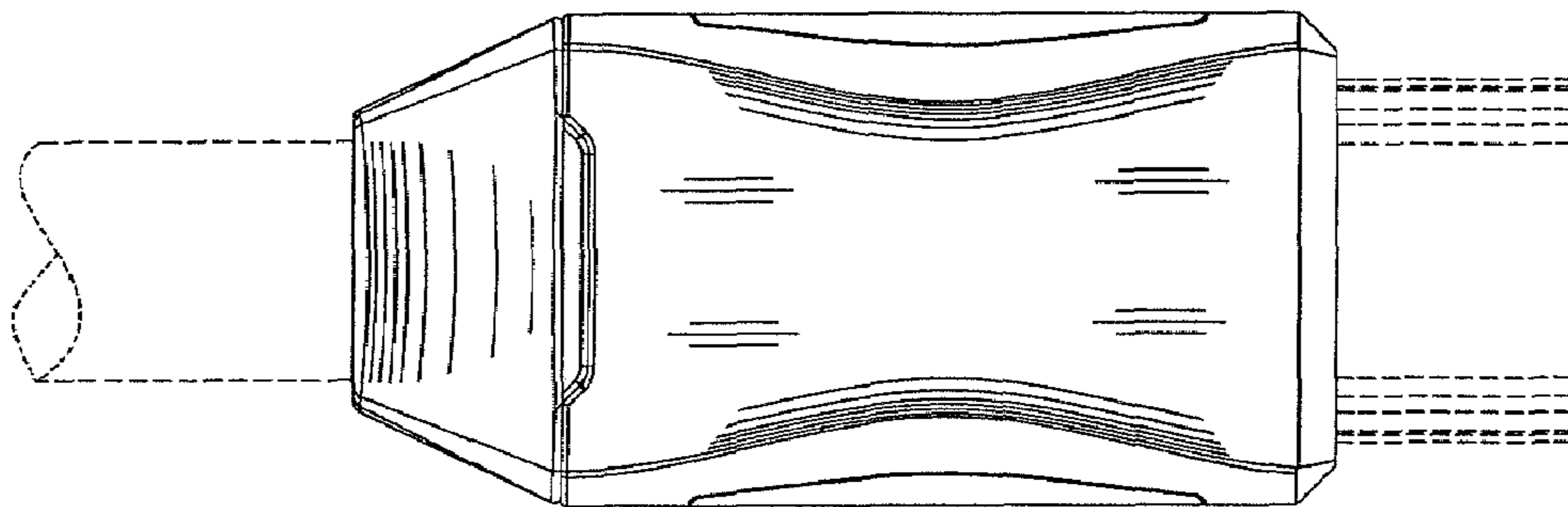


Figure 2

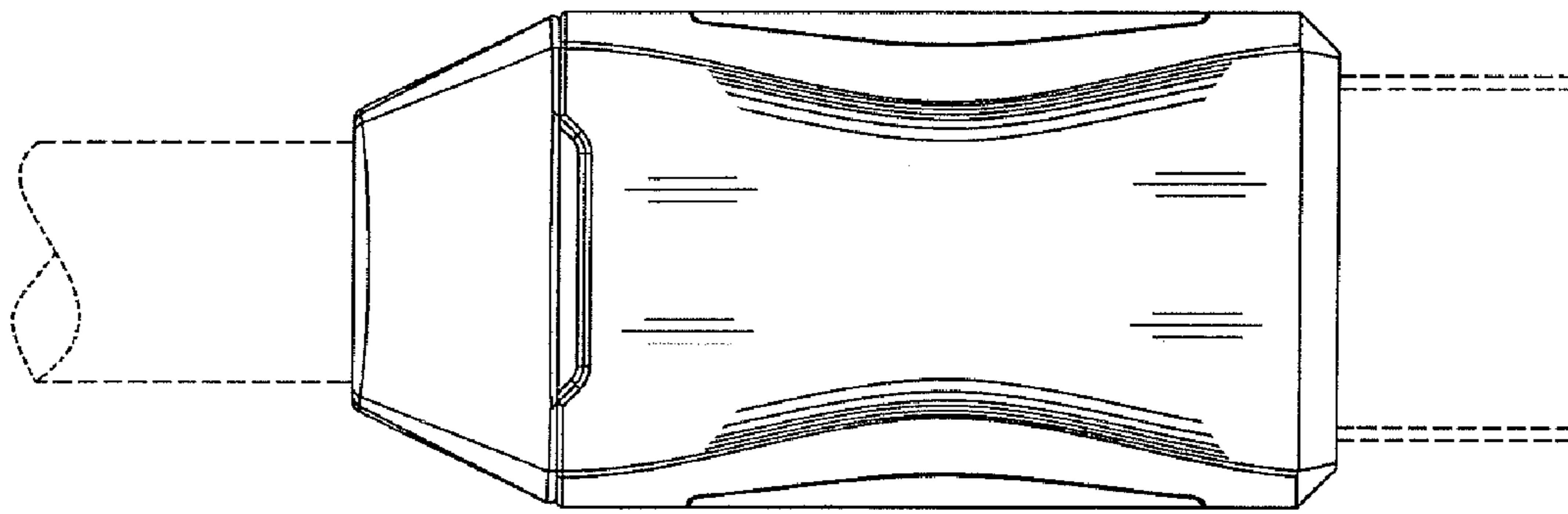


Figure 3

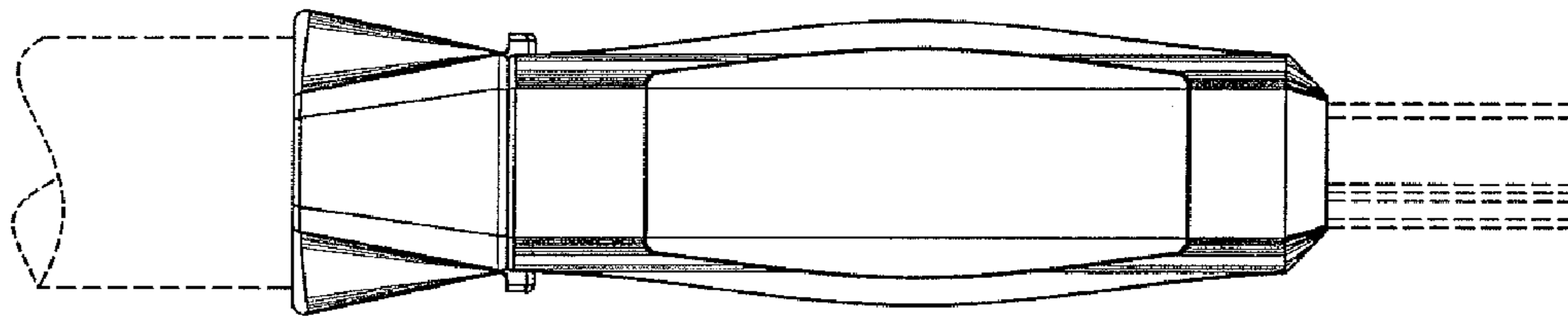


Figure 4

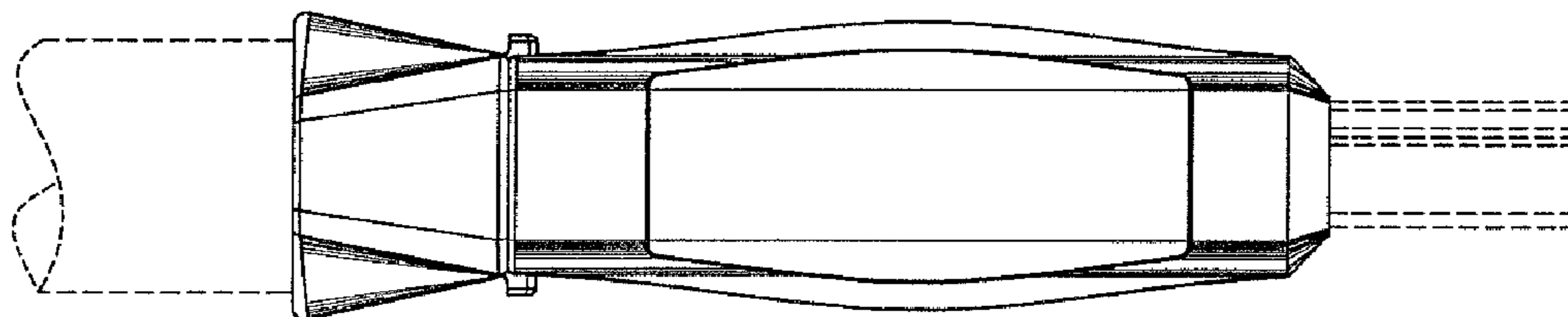


Figure 5

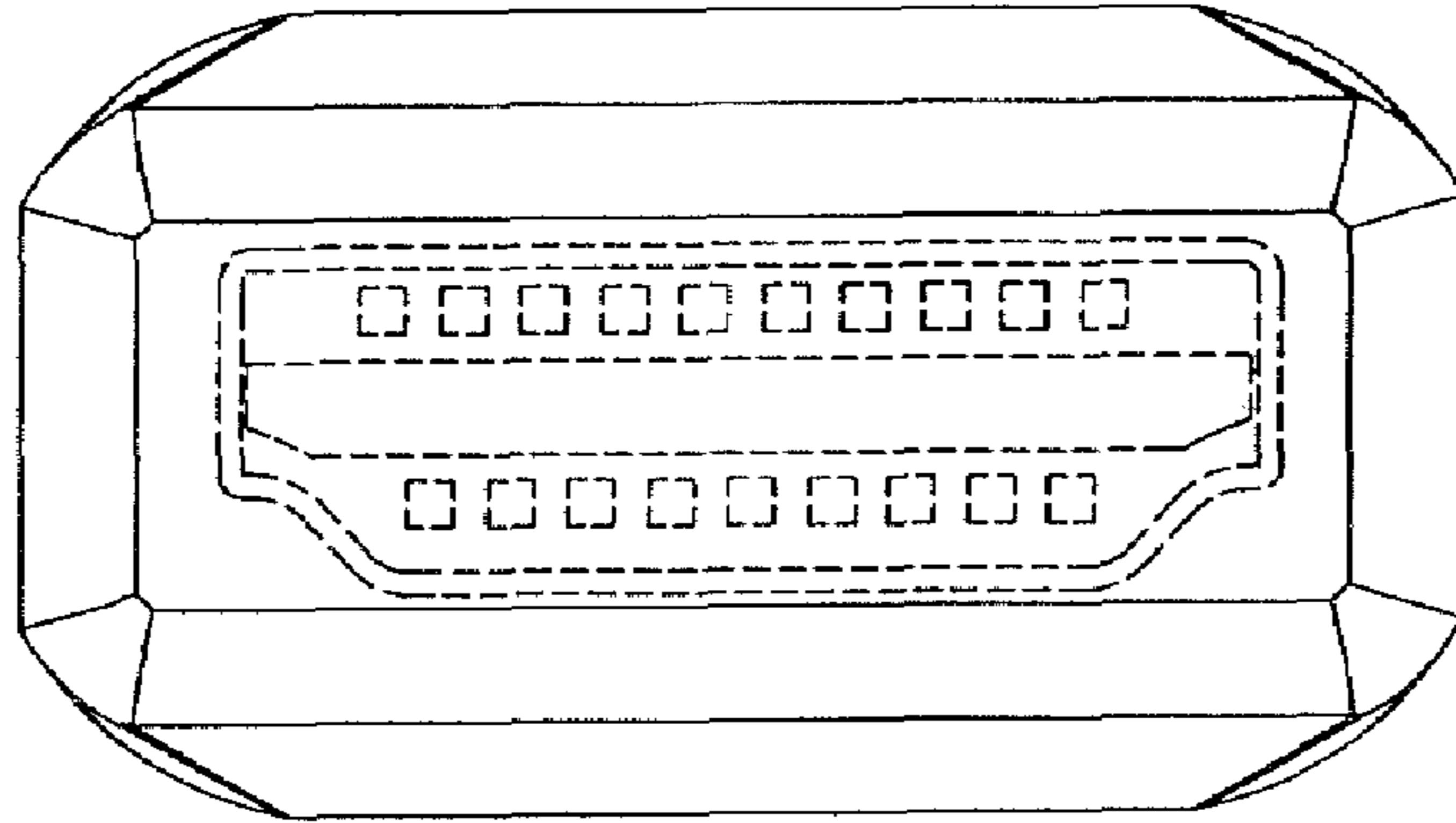


Figure 6

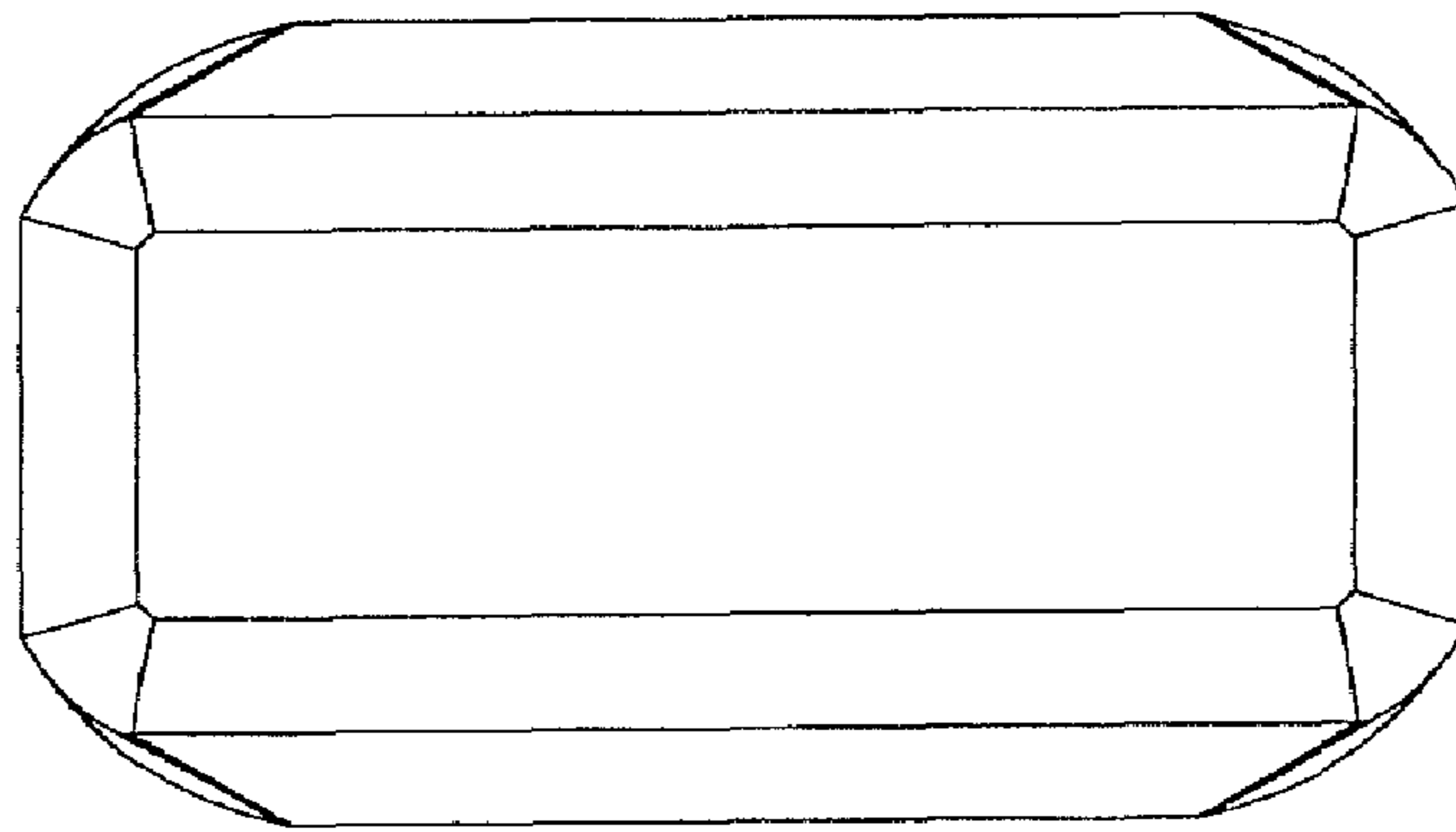


Figure 7

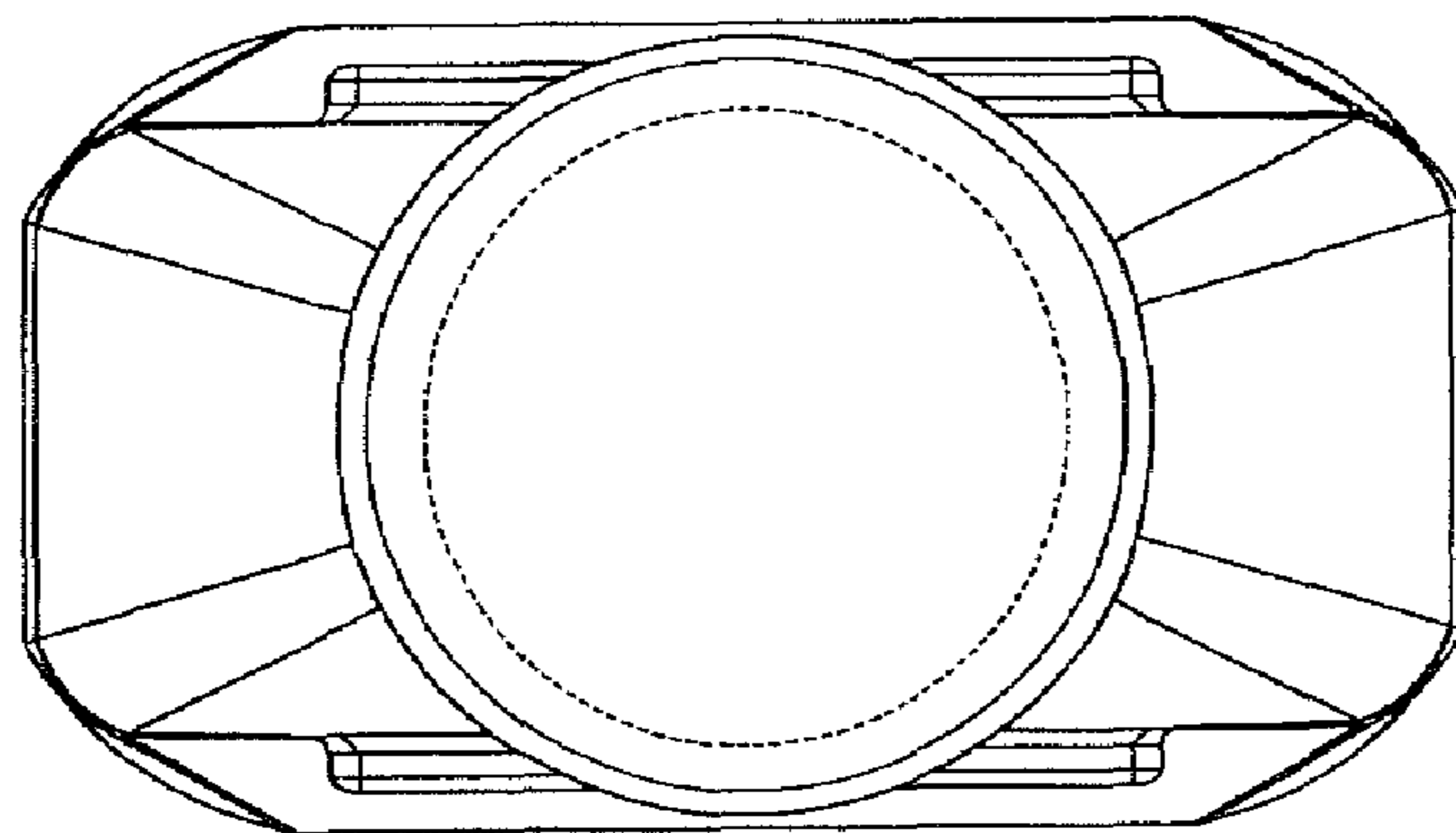


Figure 8