



US00D588544S

(12) **United States Design Patent**
Knepper

(10) **Patent No.:** **US D588,544 S**

(45) **Date of Patent:** **** Mar. 17, 2009**

(54) **ELECTRICAL TERMINAL**

(75) Inventor: **Andrew Knepper**, Kendallville, IN (US)

(73) Assignee: **Group Dekko, Inc.**, Kendallville, IN (US)

(**) Term: **14 Years**

(21) Appl. No.: **29/282,318**

(22) Filed: **Jul. 17, 2007**

(51) **LOC (9) Cl.** **13-03**

(52) **U.S. Cl.** **D13/149**

(58) **Field of Classification Search** D13/118-121,
D13/133, 146-149, 154, 184, 199; 439/83,
439/108, 166, 500, 577, 630, 650, 660, 680,
439/700, 773.1, 845, 849-850, 862, 907
See application file for complete search history.

(56) **References Cited**

U.S. PATENT DOCUMENTS

4,699,445	A	*	10/1987	Porta et al.	439/698
D453,739	S	*	2/2002	Lin	D13/148
D478,315	S	*	8/2003	Kondas	D13/146
D478,316	S	*	8/2003	Kondas	D13/146
D504,665	S	*	5/2005	Lai et al.	D13/154
D516,522	S	*	3/2006	Kondas	D13/154
D516,523	S	*	3/2006	Kondas	D13/154

D553,573	S	*	10/2007	Kondas	D13/149
D554,066	S	*	10/2007	Kondas	D13/149
D554,589	S	*	11/2007	Kondas	D13/149
D572,191	S	*	7/2008	Chen et al.	D13/120
D582,348	S	*	12/2008	Shiu	D13/154
2007/0243458	A1	*	10/2007	Roehm et al.	429/96

* cited by examiner

Primary Examiner—Jennifer Rivard

Assistant Examiner—Rosemary K Tarcza

(74) *Attorney, Agent, or Firm*—Taylor & Aust, P.C.

(57) **CLAIM**

The ornamental design for an electrical terminal, as shown and described.

DESCRIPTION

FIG. 1 is a perspective view of an electrical terminal showing my new design;

FIG. 2 is a front view thereof;

FIG. 3 is a rear view thereof;

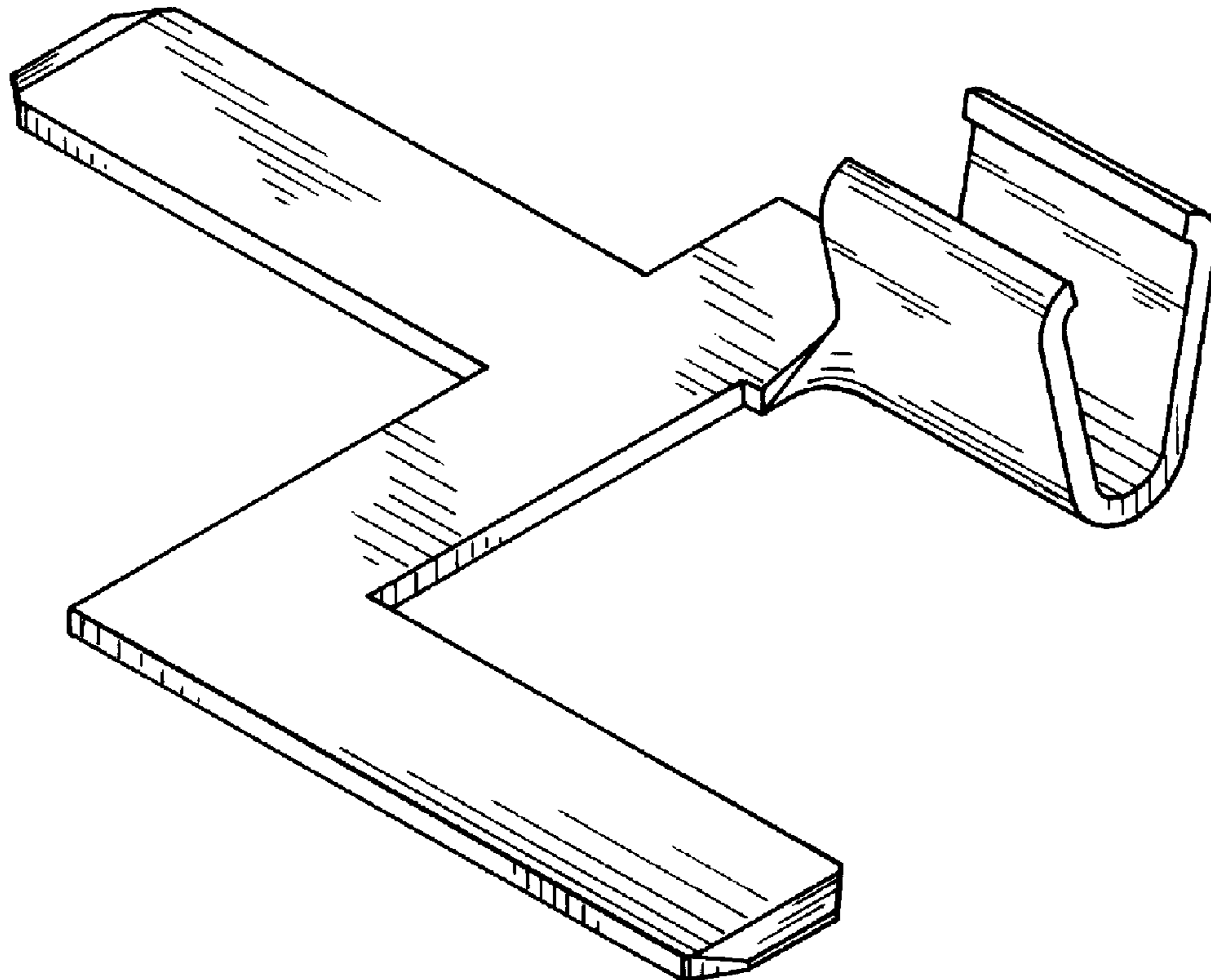
FIG. 4 is a top view thereof;

FIG. 5 is a bottom view thereof;

FIG. 6 is a side view thereof; and,

FIG. 7 is an opposite side view thereof.

1 Claim, 3 Drawing Sheets



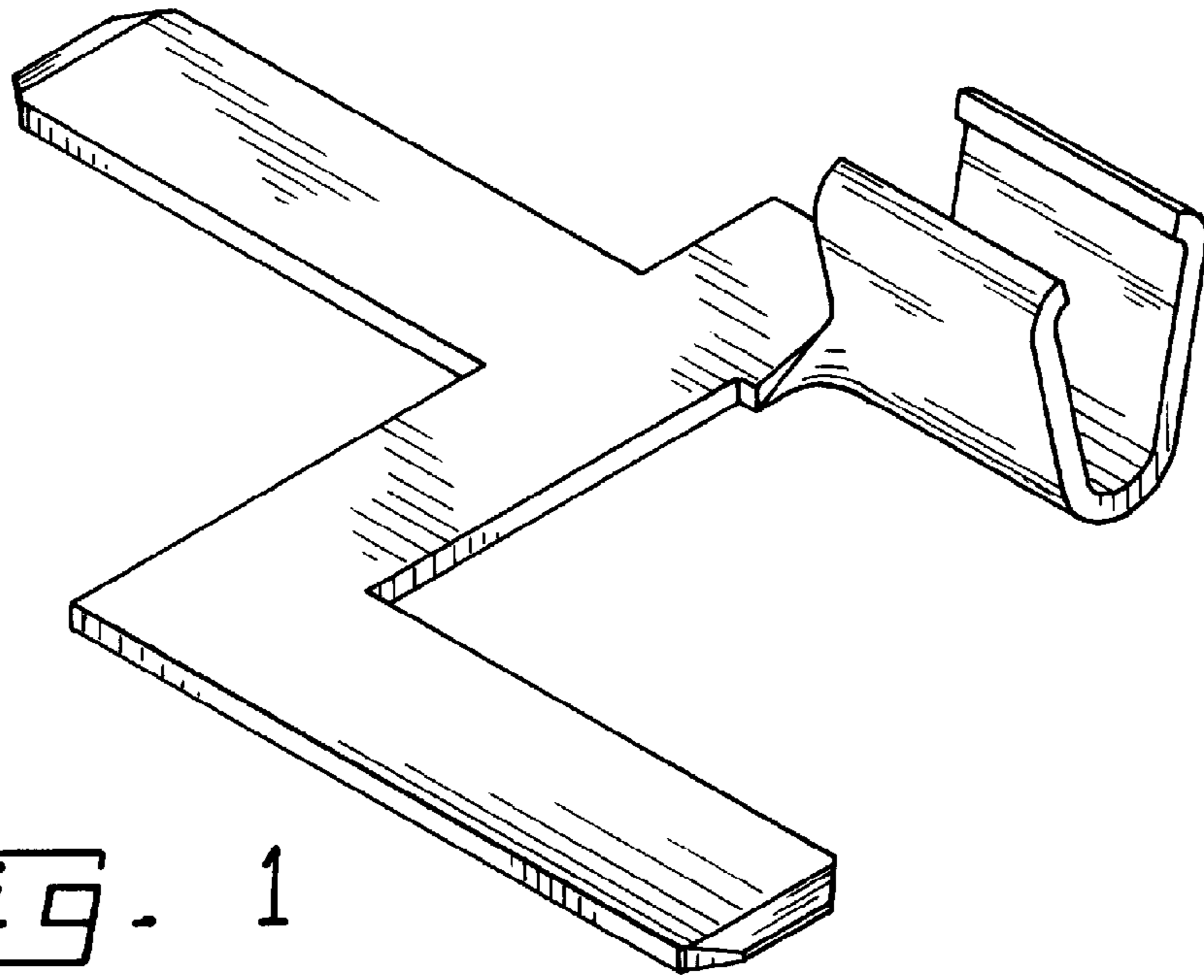


Fig. 1

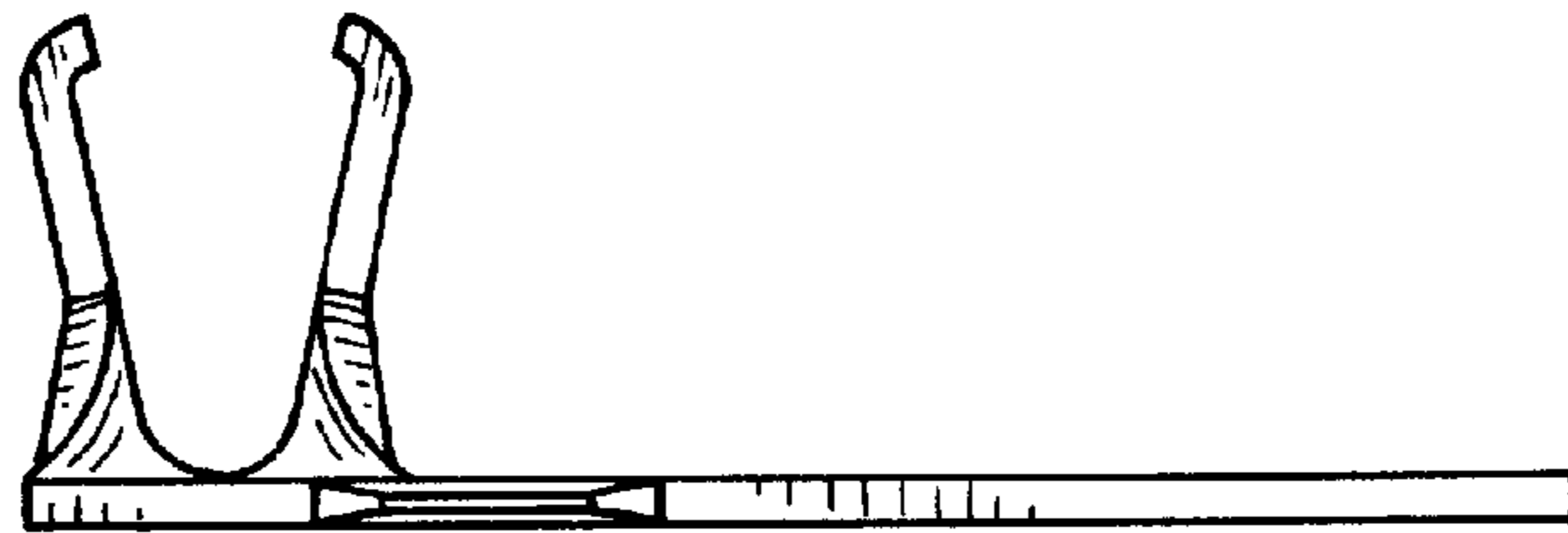


Fig. 2

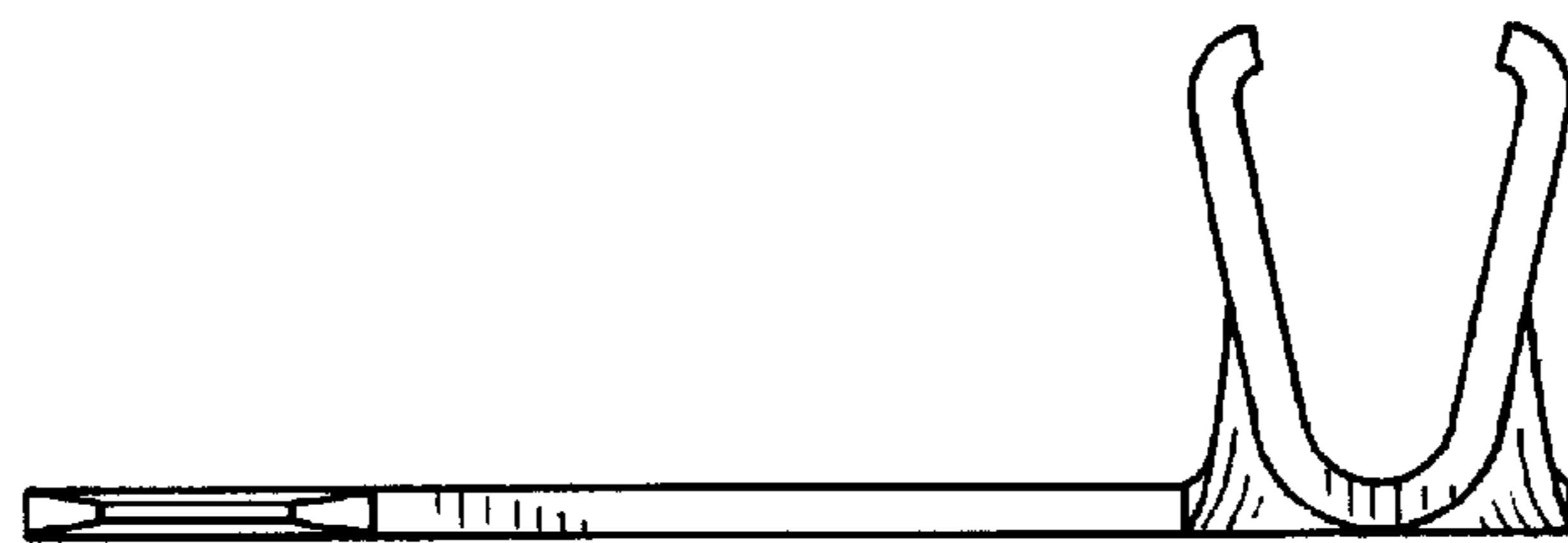


Fig. 3

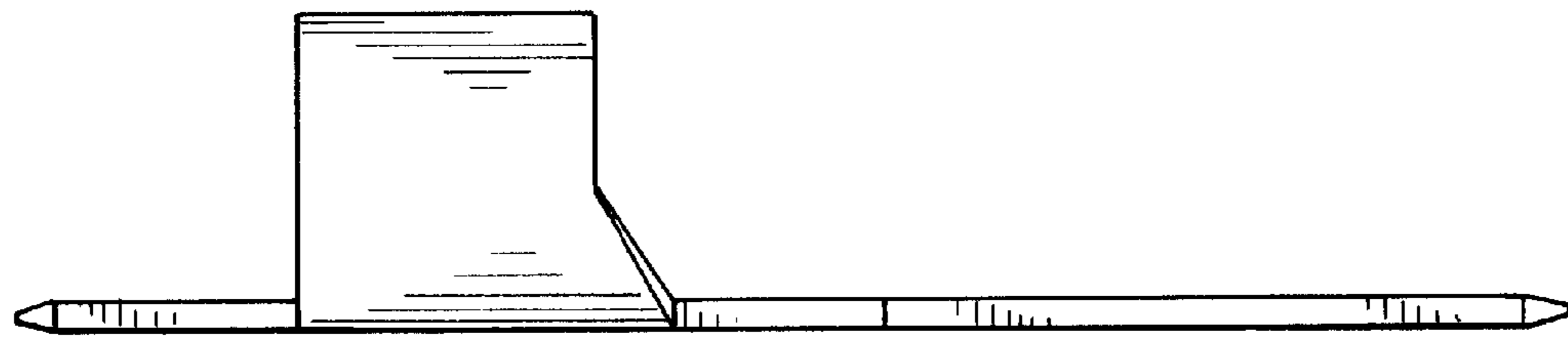


Fig. 4

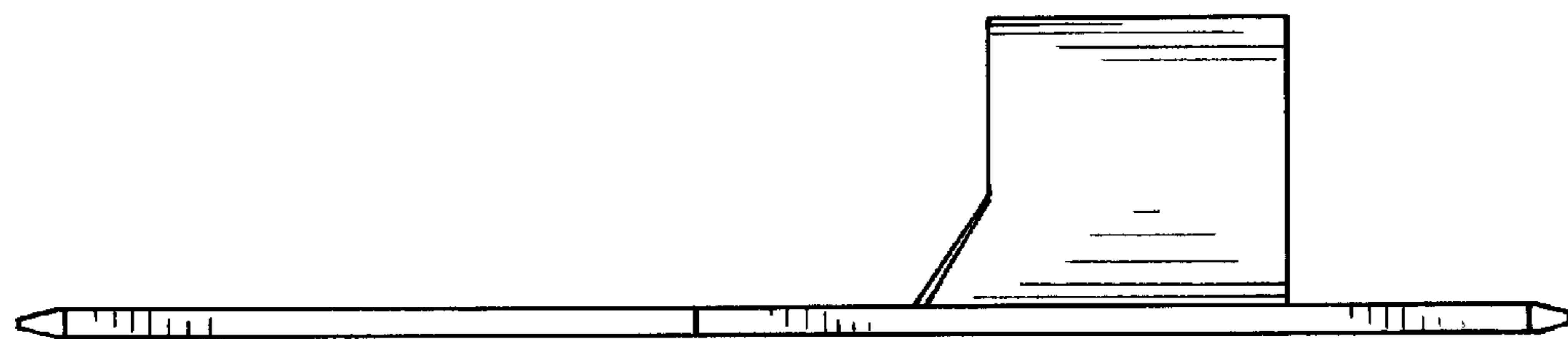


Fig. 5

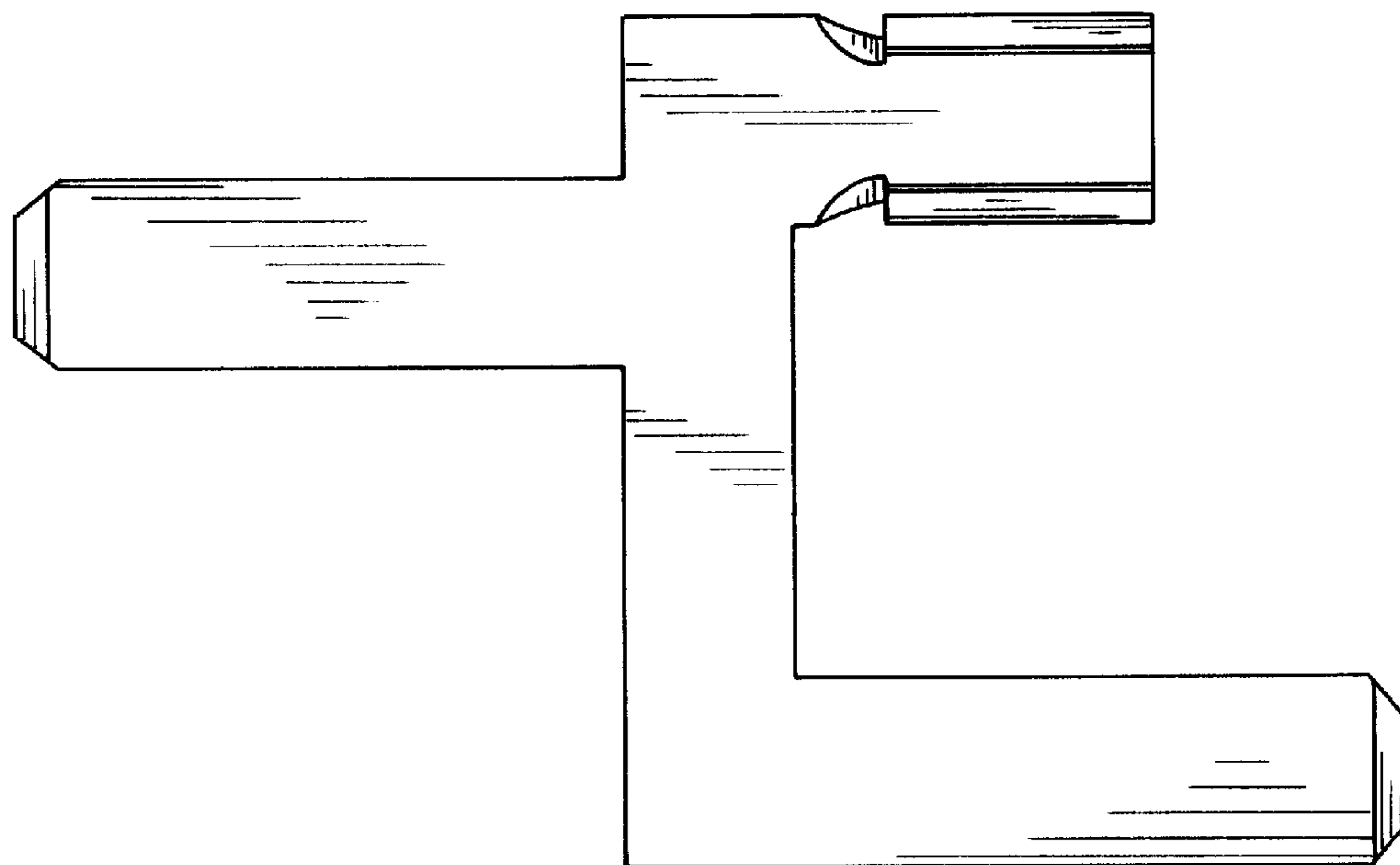


Fig. 6

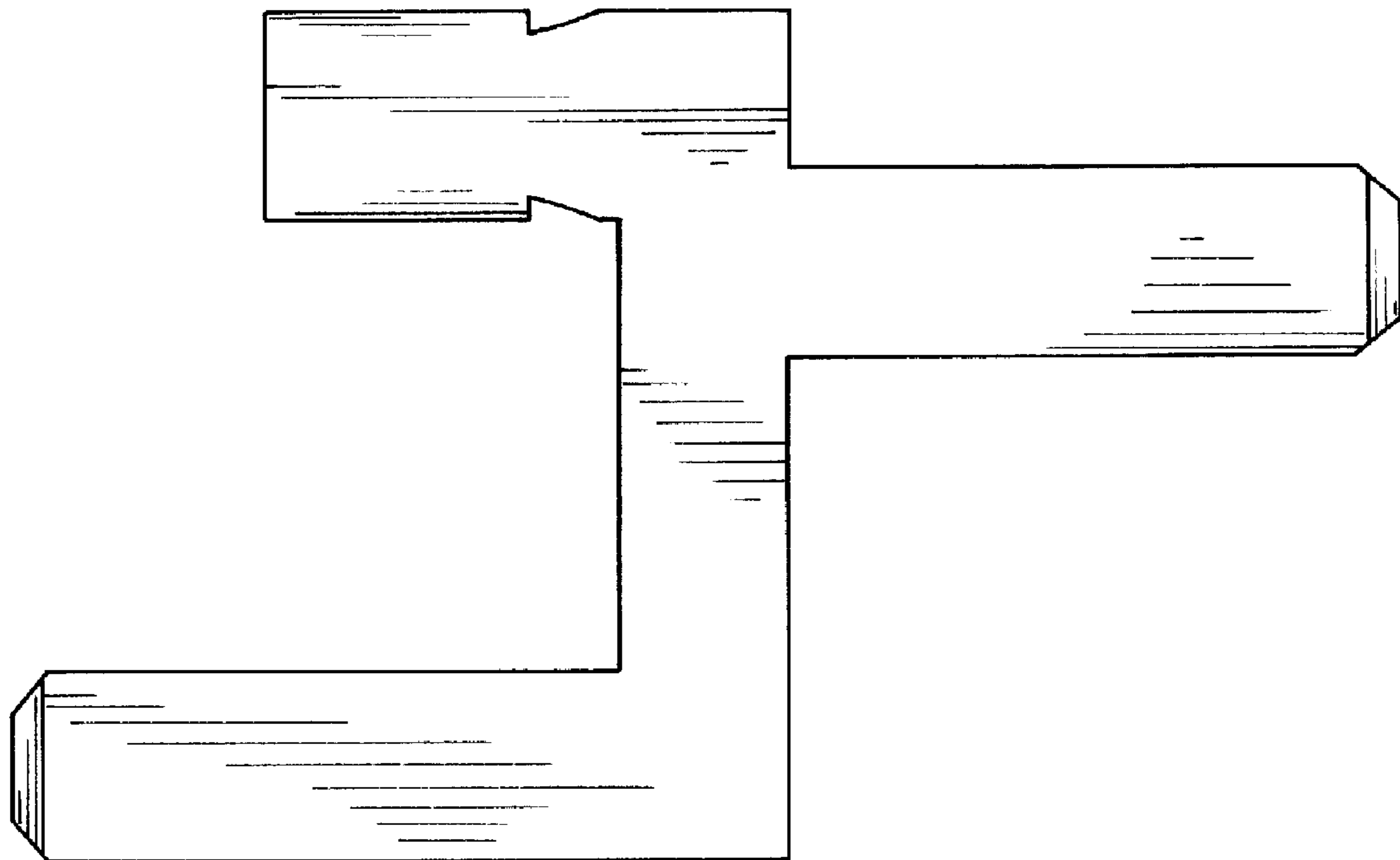


Fig. 7