

US00D588542S

(12) **United States Design Patent**  
**Lee et al.**

(10) **Patent No.:** **US D588,542 S**  
(45) **Date of Patent:** **\*\* Mar. 17, 2009**

(54) **SOCKET CONNECTOR**

(75) Inventors: **Kuo-Ching Lee**, Taipei (TW); **Ta-Teh Meng**, Taipei (TW); **Jian-Li Guan**, Taipei (TW); **Guo-Gang Miao**, Taipei (TW)

(73) Assignee: **Advanced Connectek Inc.**, Taipei Hsien (TW)

(\*\*) Term: **14 Years**

(21) Appl. No.: **29/302,516**

(22) Filed: **Jan. 18, 2008**

(30) **Foreign Application Priority Data**

Jul. 20, 2007 (TW) ..... 96304014

(51) **LOC (9) Cl.** ..... **13-03**

(52) **U.S. Cl.** ..... **D13/147**

(58) **Field of Classification Search** ..... D13/147,  
D13/154, 184; 439/64, 79, 159-160, 108,  
439/260, 325-326, 329, 394-395, 607-610,  
439/629-630, 946

See application file for complete search history.

(56) **References Cited**

**U.S. PATENT DOCUMENTS**

7,074,085 B2 \* 7/2006 Chen ..... 439/607

D539,225 S \* 3/2007 Kishi et al. .... D13/147  
D539,227 S \* 3/2007 Yamada et al. .... D13/147  
D544,447 S \* 6/2007 Peng et al. .... D13/147  
D561,696 S \* 2/2008 Chen et al. .... D13/147  
D561,697 S \* 2/2008 Chen et al. .... D13/147  
D562,244 S \* 2/2008 Peng ..... D13/147  
D562,773 S \* 2/2008 Peng ..... D13/147

\* cited by examiner

*Primary Examiner*—Daniel D Bui

(74) *Attorney, Agent, or Firm*—Jianq Chyun IP Office

(57) **CLAIM**

The ornamental design for a socket connector, as shown.

**DESCRIPTION**

FIG. 1 is a perspective view of a socket connector showing our new design;

FIG. 2 is a front view thereof, the rear view being a mirror image of the front view;

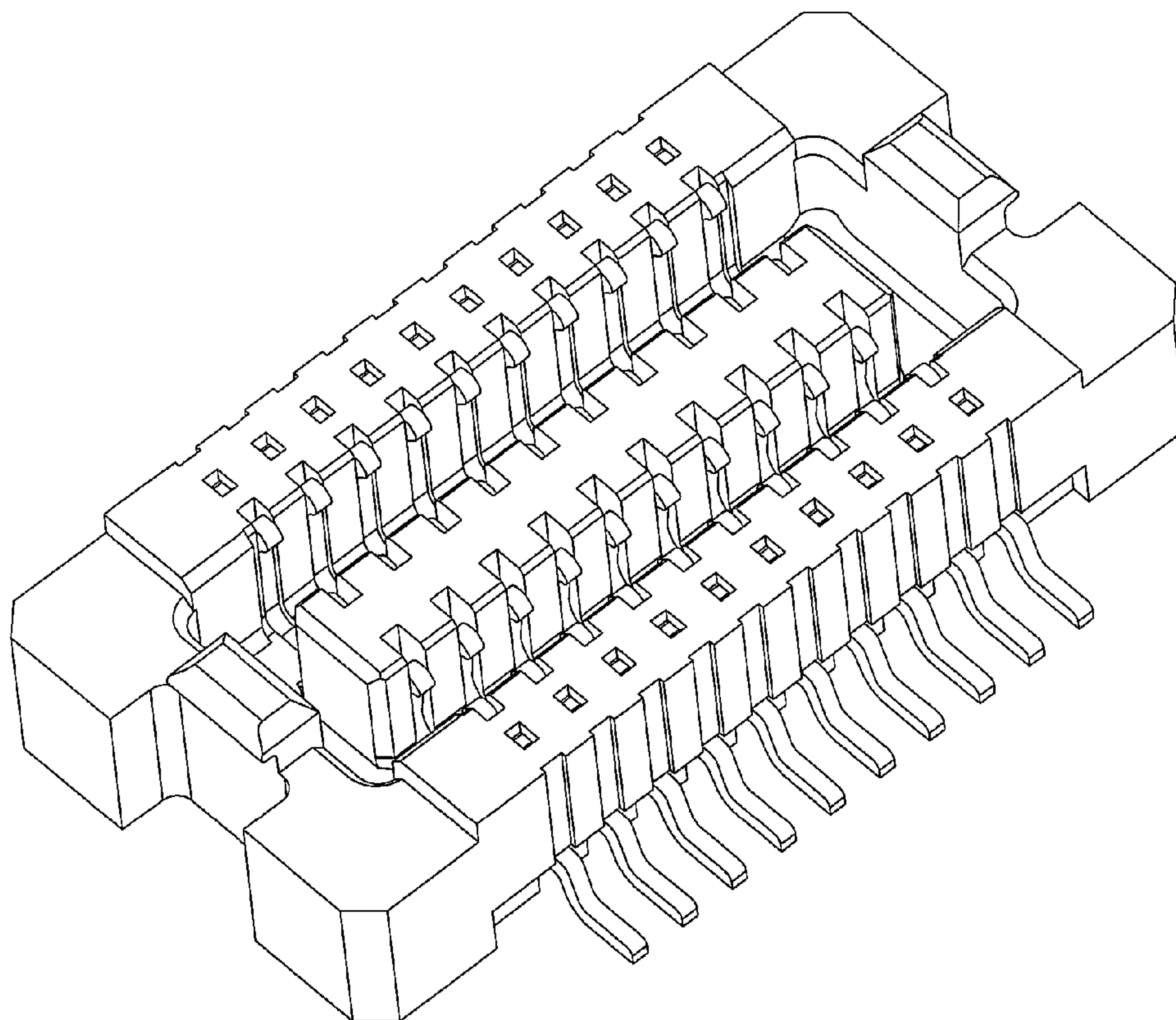
FIG. 3 is a left side view thereof, the right side view being a mirror image of the left side view;

FIG. 4 is a top view thereof;

FIG. 5 is a bottom view thereof; and,

FIG. 6 is another perspective view thereof.

**1 Claim, 4 Drawing Sheets**



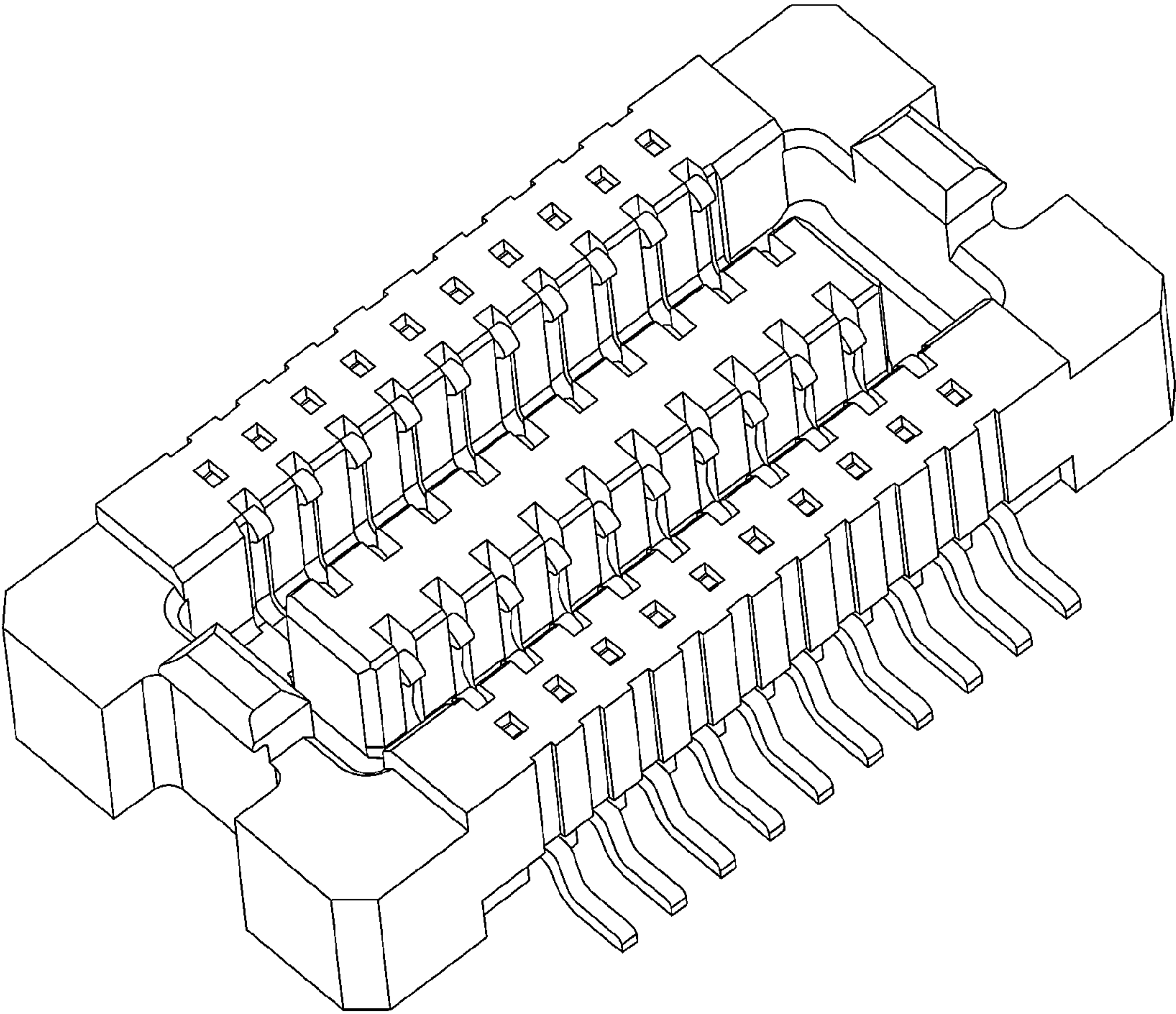


FIG. 1

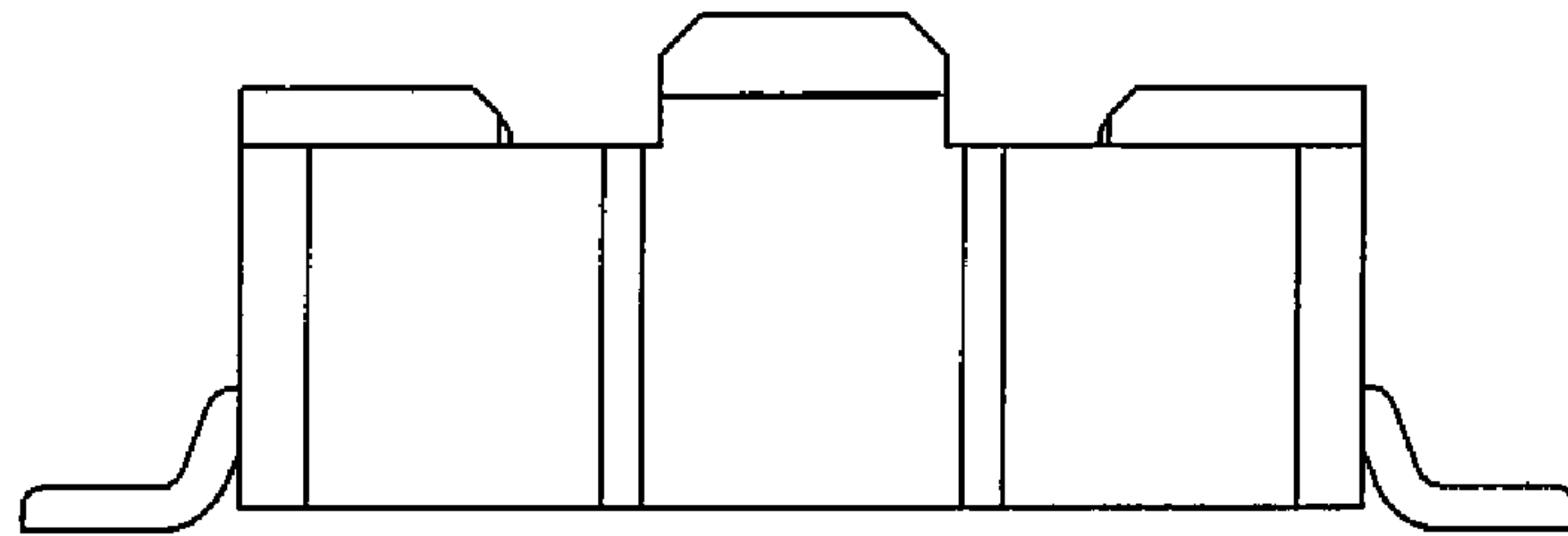


FIG. 2

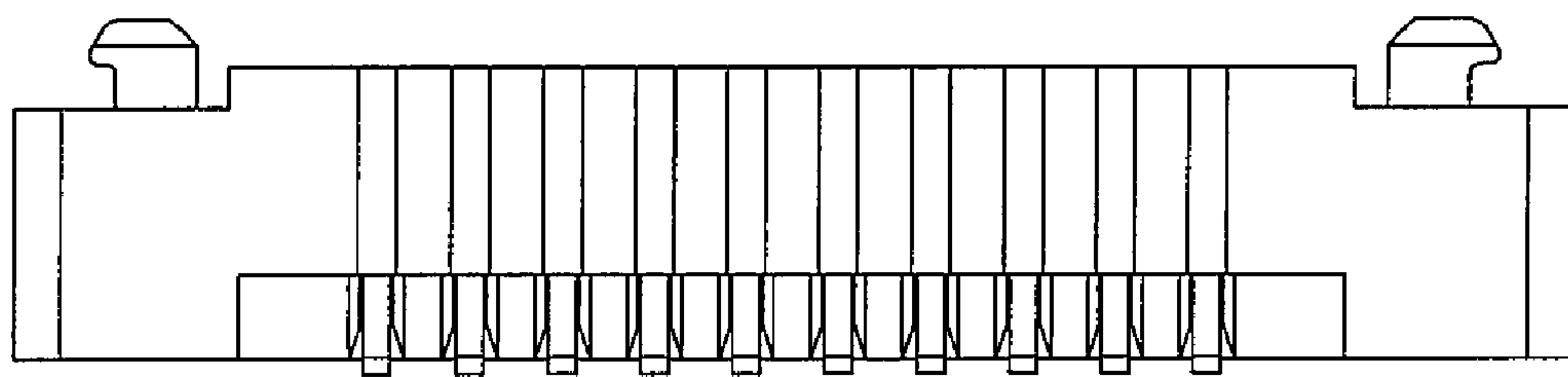


FIG. 3

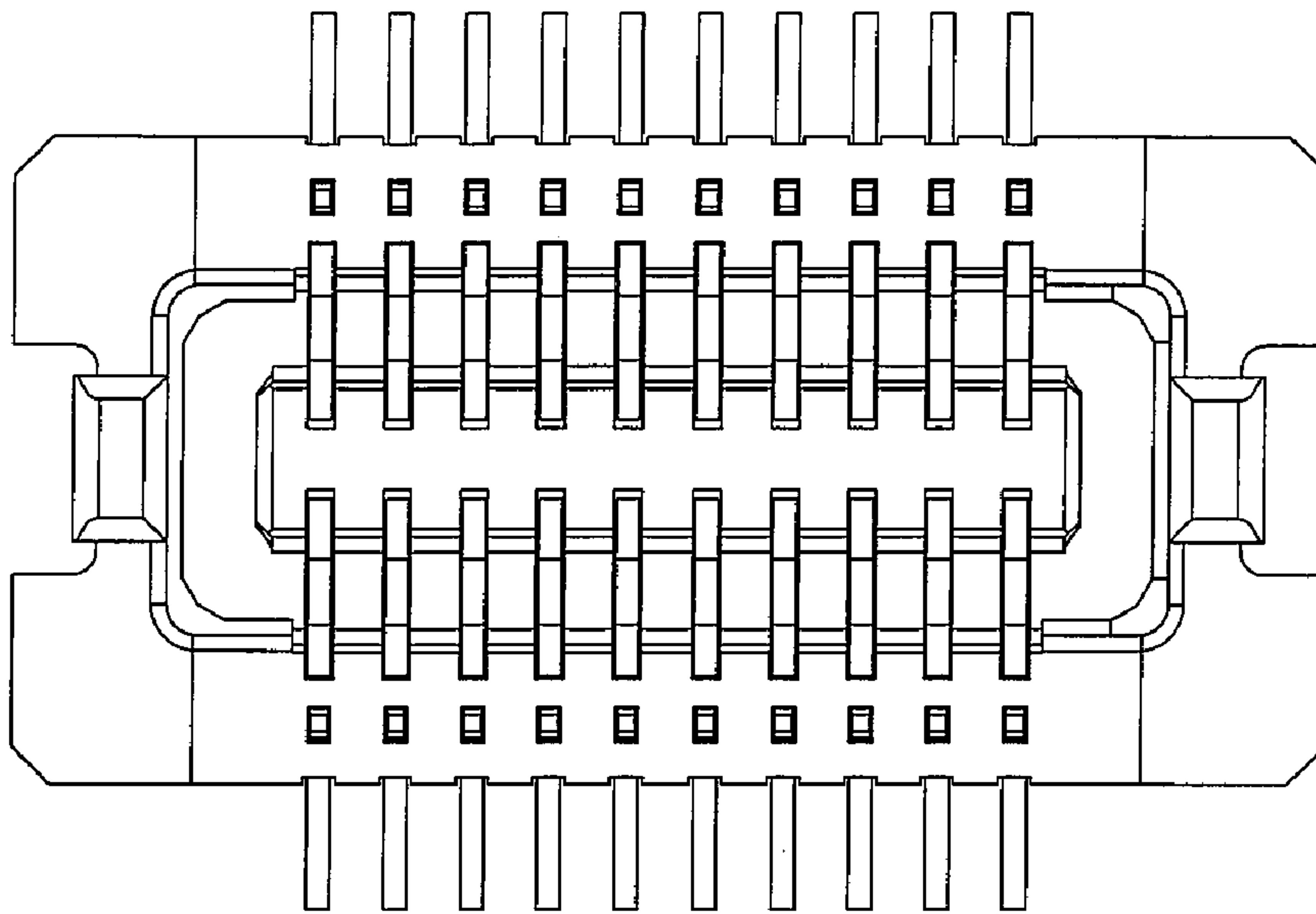


FIG. 4

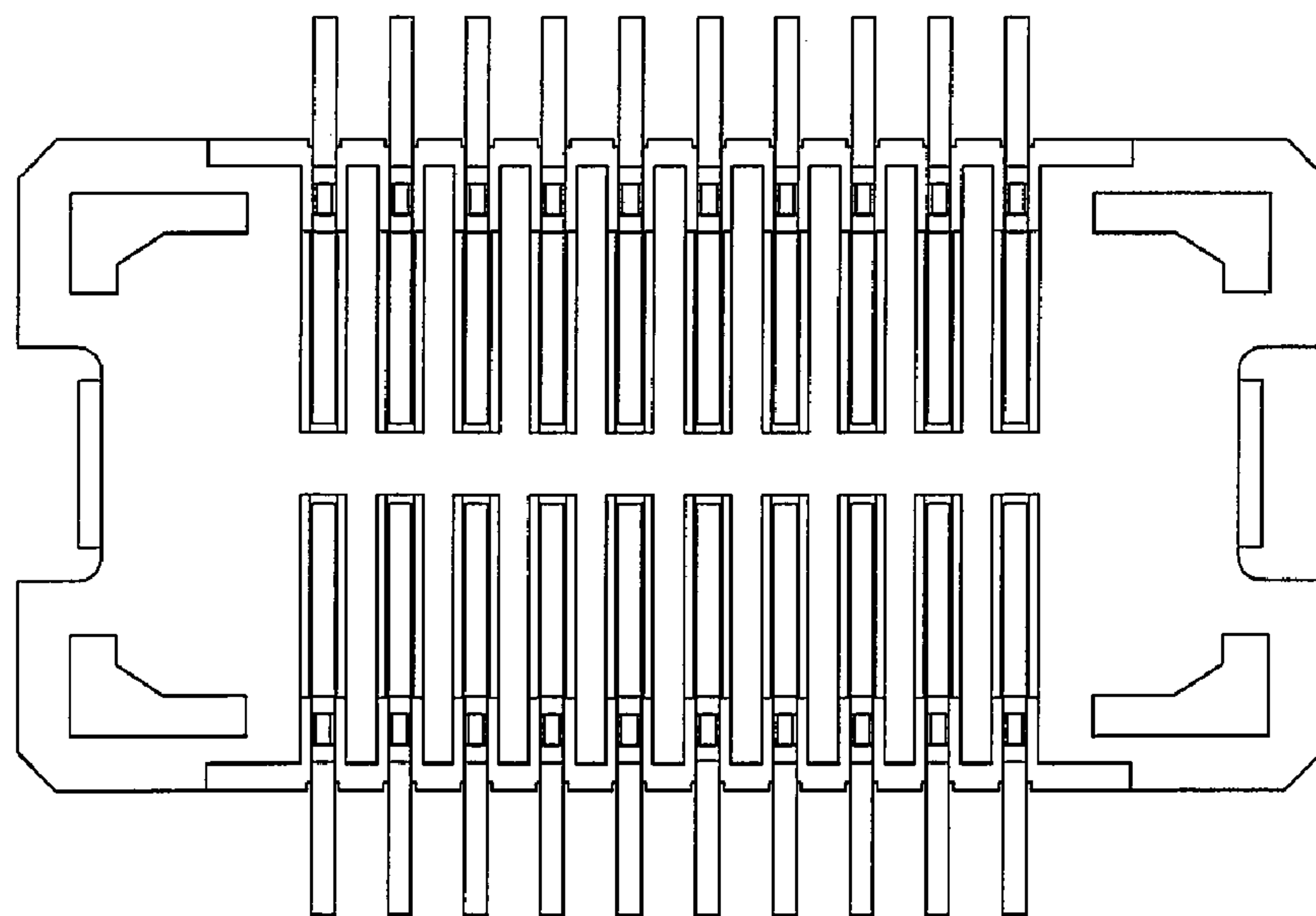


FIG. 5



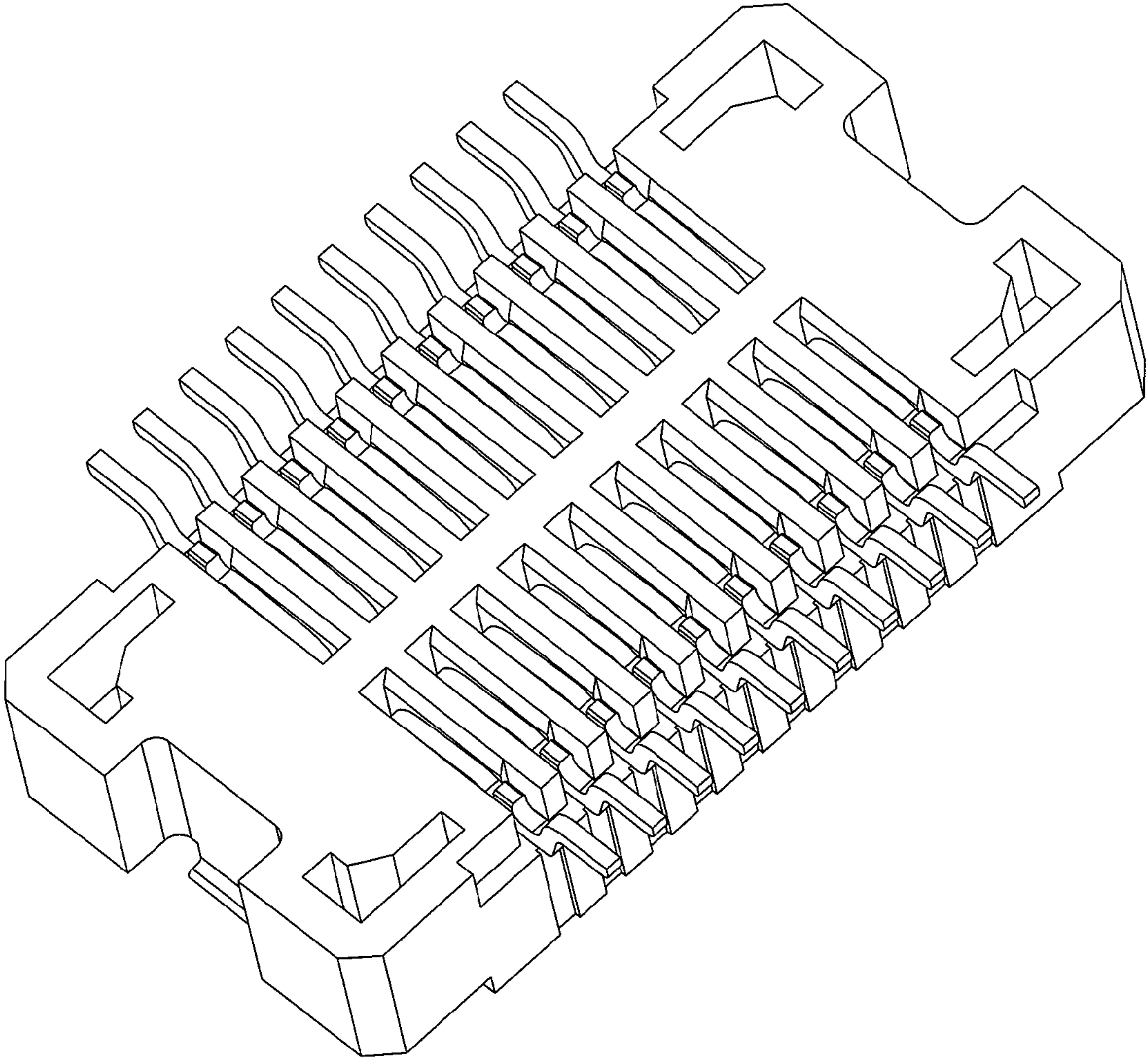


FIG. 6