



US00D588539S

(12) **United States Design Patent**
Byrne

(10) **Patent No.:** **US D588,539 S**
(45) **Date of Patent:** **** Mar. 17, 2009**

(54) **COMBINED TRIPLEX RECEPTACLE BLOCK AND JUNCTION BLOCK**

(57) **CLAIM**

(76) **Inventor:** **Norman R. Byrne**, 2736 Honey Creek NE., Ada, MI (US) 49301

I claim, the ornamental design of a combined triplex receptacle block and junction block, as shown and described.

(**) **Term:** **14 Years**

DESCRIPTION

(21) **Appl. No.:** **29/299,426**

(22) **Filed:** **Dec. 26, 2007**

Related U.S. Application Data

(63) Continuation-in-part of application No. 29/229,286, filed on May 5, 2005, now abandoned.

(51) **LOC (9) Cl.** **13-03**

(52) **U.S. Cl.** **D13/139.1**

(58) **Field of Classification Search** None
See application file for complete search history.

FIG. 1 is a right side view of my combined triplex receptacle block and junction block in accordance with the present invention, with FIG. 1 illustrating the position of my combined triplex receptacle block and junction block as it may be engaged with a junction block. The side of the invention shown in FIG. 1 is plain and unornamented and forms no part of the claimed design.

FIG. 2 is a front elevational view of the invention of FIG. 1.

FIG. 3 is a left side view of the invention of FIG. 1.

FIG. 4 is a left end view of the invention of FIG. 1.

FIG. 5 is a rear elevation view of the invention of FIG. 1.

FIG. 6 is a right hand end view of the invention of FIG. 1.

FIG. 7 is a perspective and partially exploded view of the combined triplex receptacle block and junction block of the present invention, showing the combined triplex receptacle block and junction block as it may be engaged in a front side of a junction block.

FIG. 8 is a perspective view of my combined triplex receptacle block and junction block in accordance with the present invention, with FIG. 8 illustrating my combined triplex receptacle block and junction block as assembled into the front side of a junction block.

FIG. 9 is a perspective and partially exploded view of the combined triplex receptacle block and junction block of the present invention, with FIG. 9 illustrating the positioning of my combined triplex receptacle block and junction block as it may be engaged with a rear side of a junction block; and,

FIG. 10 is a perspective view of my combined triplex receptacle block and junction block in accordance with the present invention, with FIG. 10 illustrating my combined triplex receptacle block and junction block as assembled into the rear side of a junction block.

(56) **References Cited**

U.S. PATENT DOCUMENTS

2,636,096	A *	4/1953	Di Blasi	337/189
D195,774	S *	7/1963	Ramsing	D13/139.3
D269,430	S *	6/1983	Doyle et al.	D13/139.3
D269,510	S *	6/1983	Doyle et al.	D13/139.3
D285,552	S *	9/1986	Schwartz	D13/139.8
4,958,048	A *	9/1990	Bell	174/53
D360,873	S *	8/1995	Starec et al.	D13/139.2
D372,018	S *	7/1996	Byrne	D13/139.4
D401,555	S *	11/1998	Tam	D13/137.3
D419,531	S *	1/2000	Keung et al.	D13/160
D430,539	S *	9/2000	Leopold et al.	D13/139.3
6,576,837	B1 *	6/2003	Pimentel	174/58

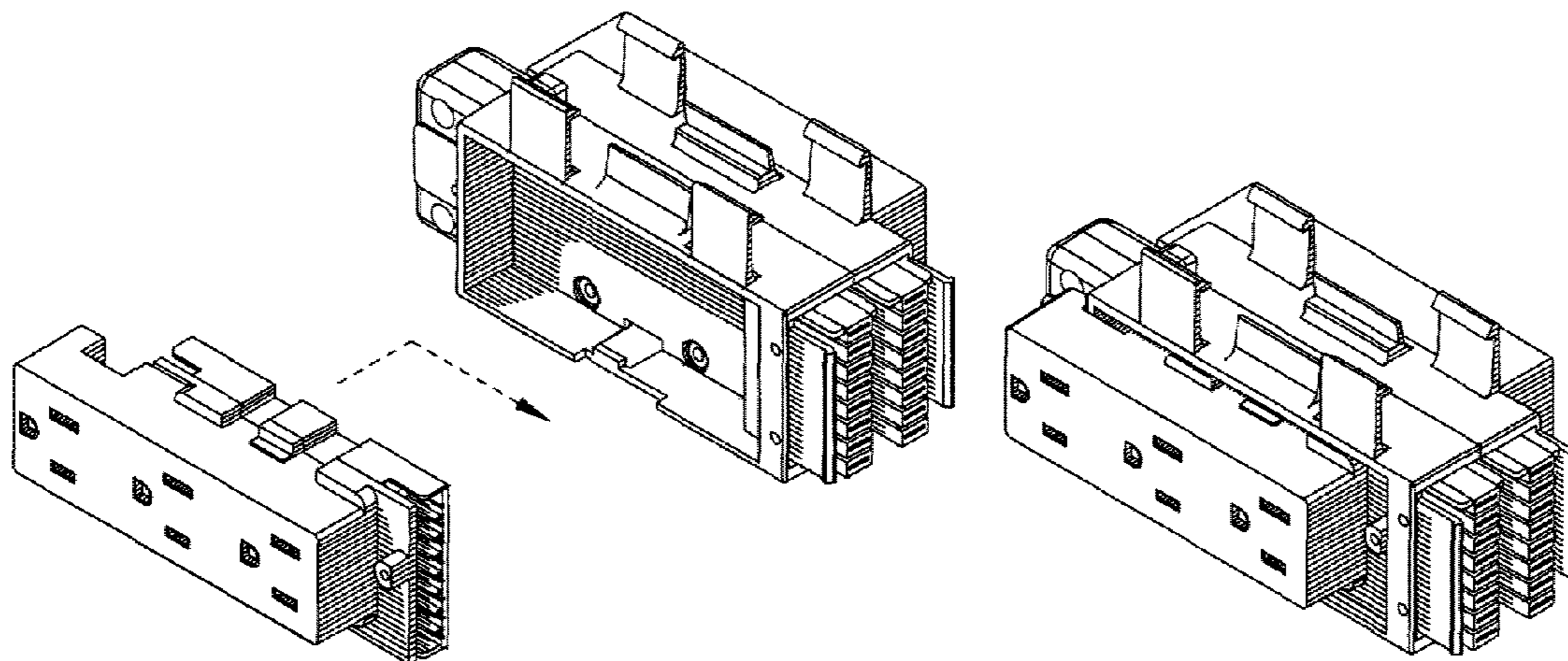
(Continued)

Primary Examiner—Jennifer Rivard

Assistant Examiner—Rosemary K Tarca

(74) *Attorney, Agent, or Firm*—Varnum, Riddering, Schmidt & Howlett LLP

1 Claim, 3 Drawing Sheets



US D588,539 S

Page 2

U.S. PATENT DOCUMENTS

D490,775 S *	6/2004	Hsiao	D13/139.7	6,884,111 B2 *	4/2005	Gorman	439/535
D494,139 S *	8/2004	Allen, Jr.	D13/139.3	D512,021 S *	11/2005	Fort et al.	D13/139.6
D495,657 S *	9/2004	Lee	D13/137.2	D514,067 S *	1/2006	Lee	D13/137.2

* cited by examiner

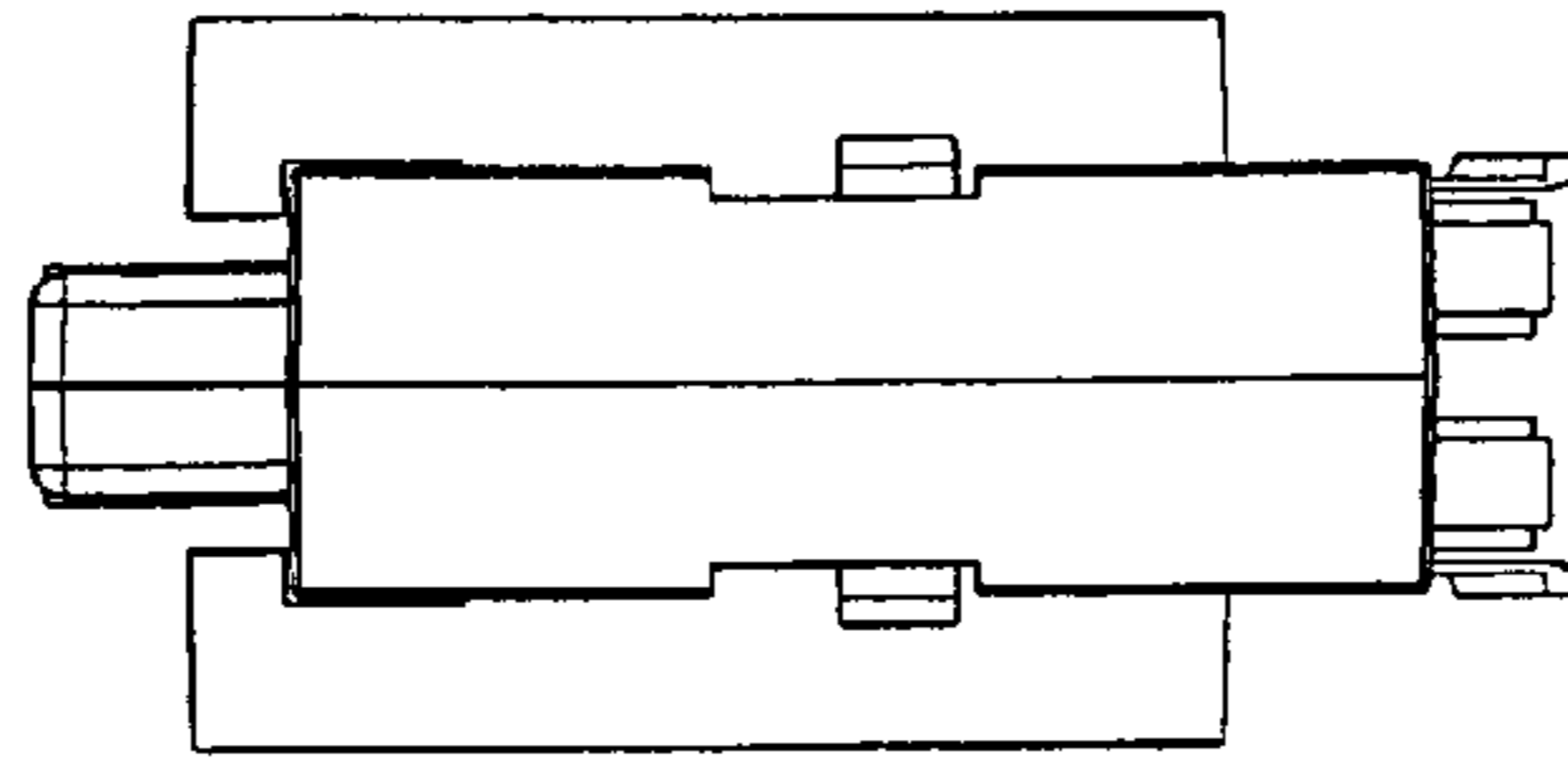


Fig. 1

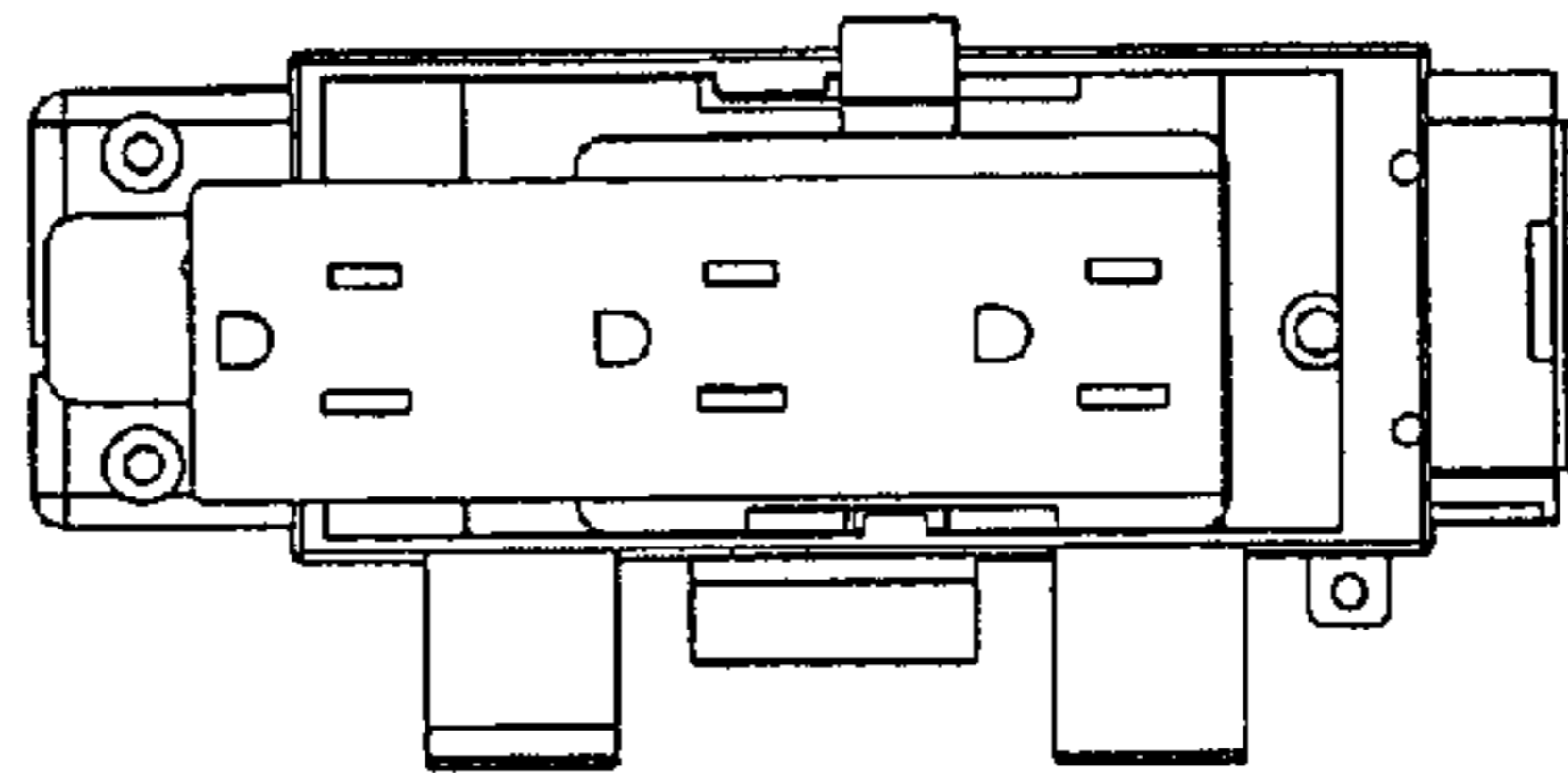


Fig. 2

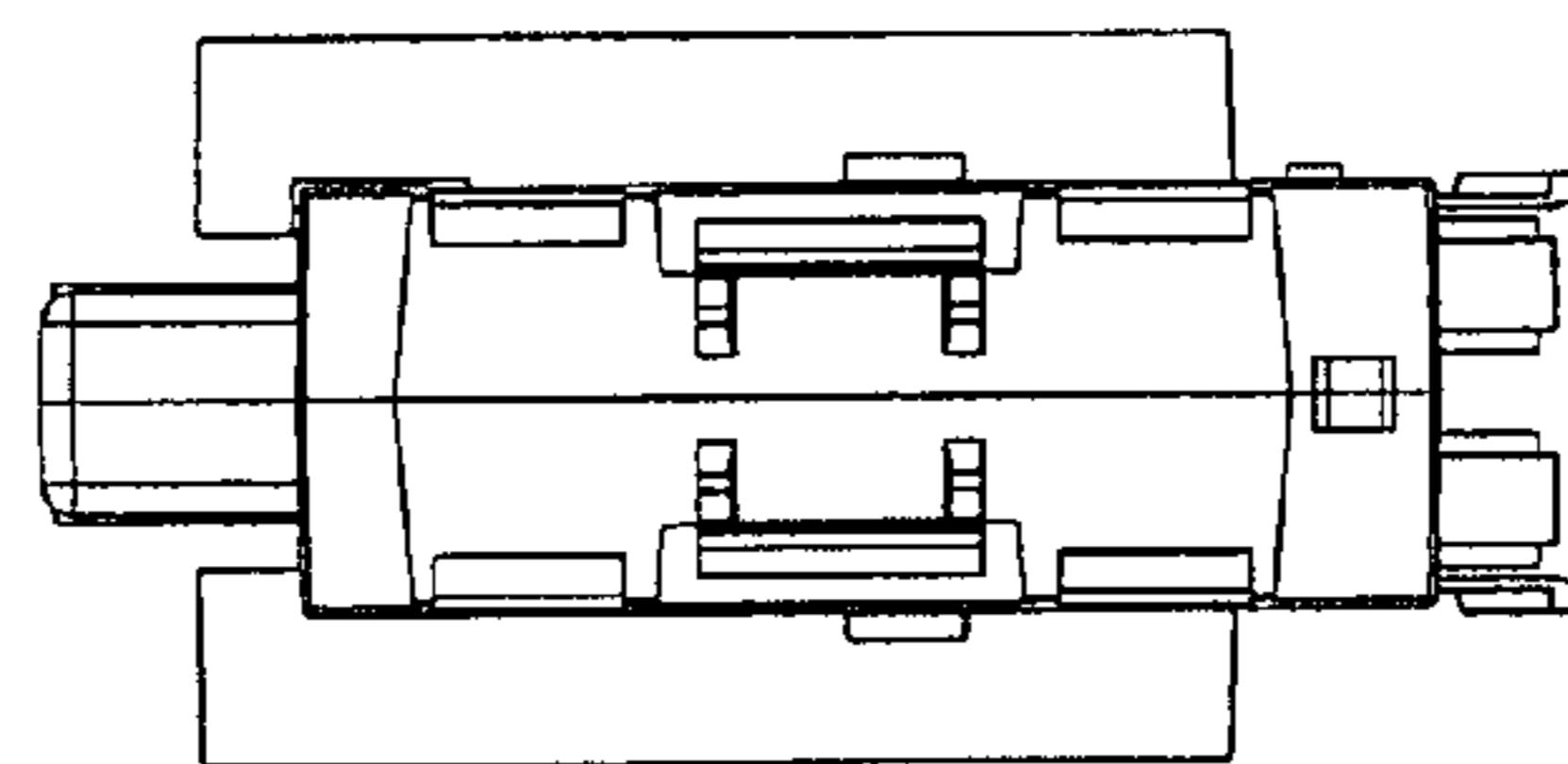


Fig. 3

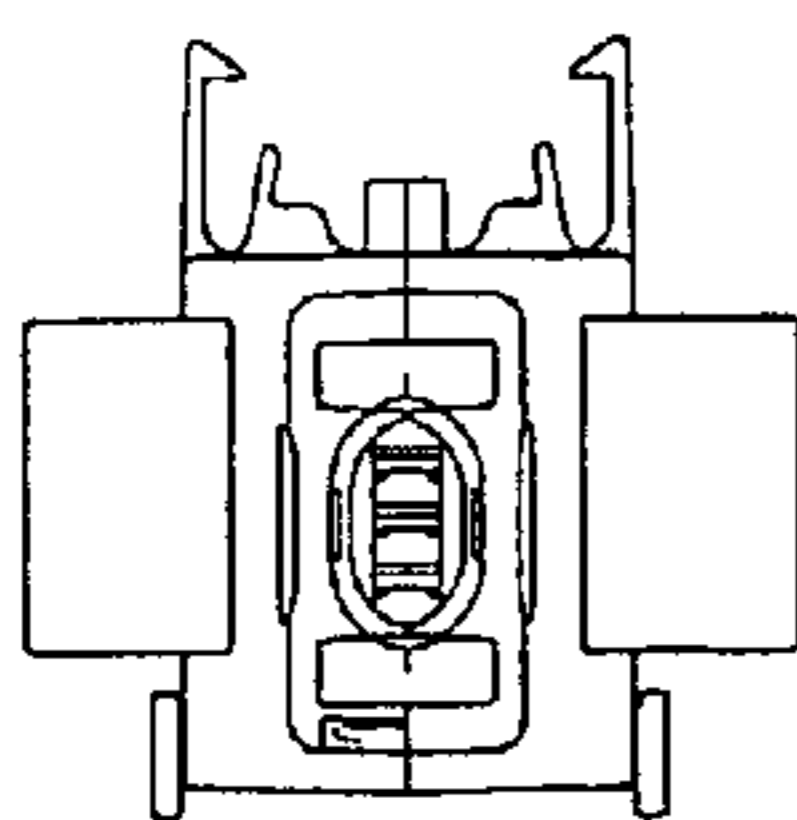


Fig. 4

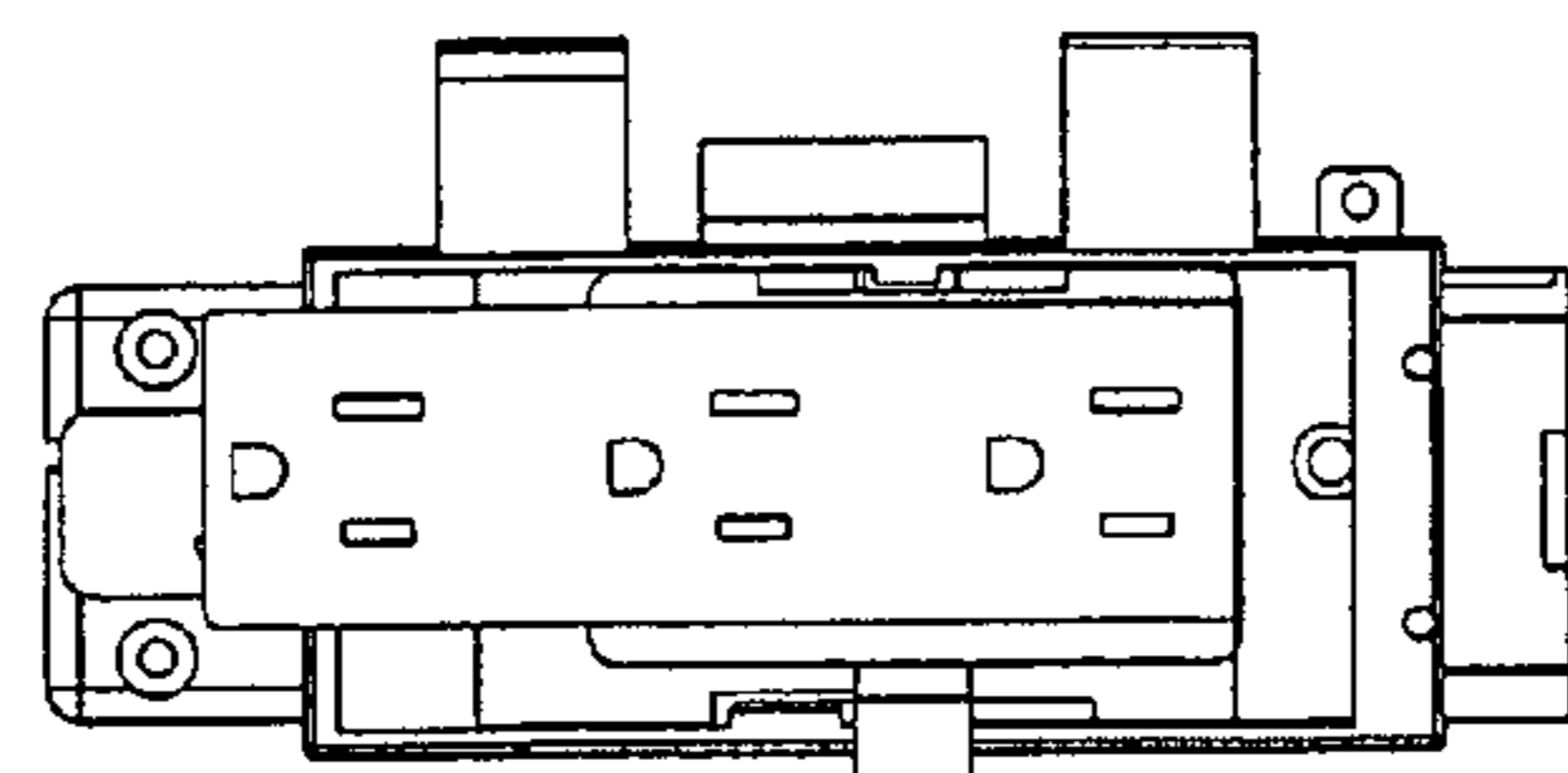


Fig. 5

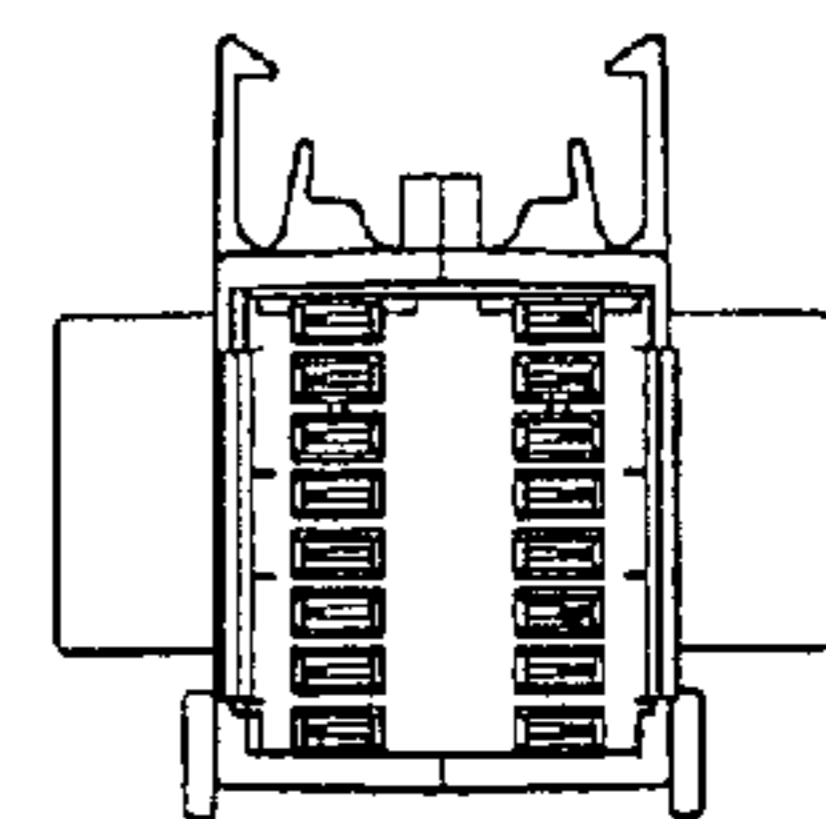


Fig. 6

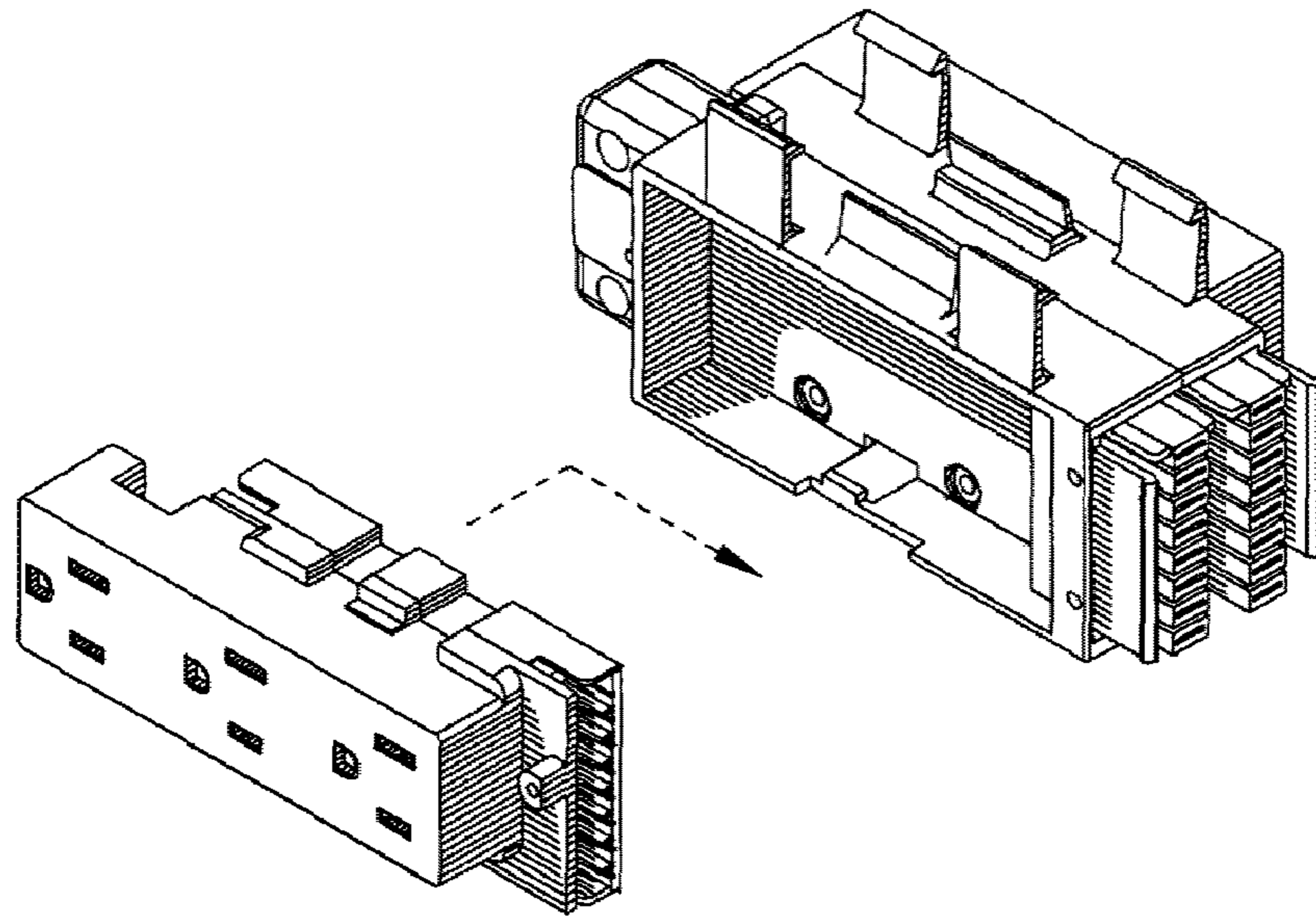


Fig. 7

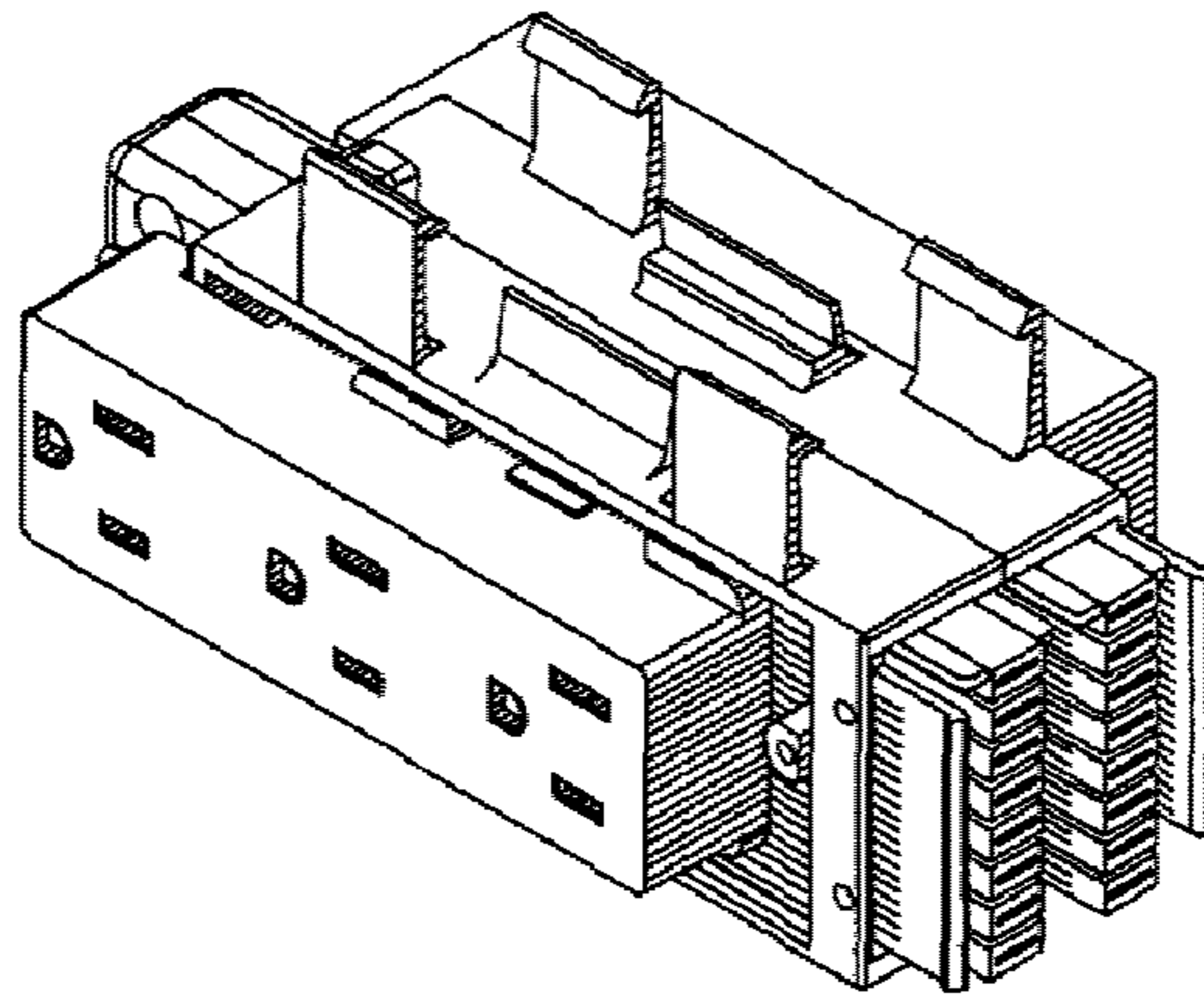


Fig. 8

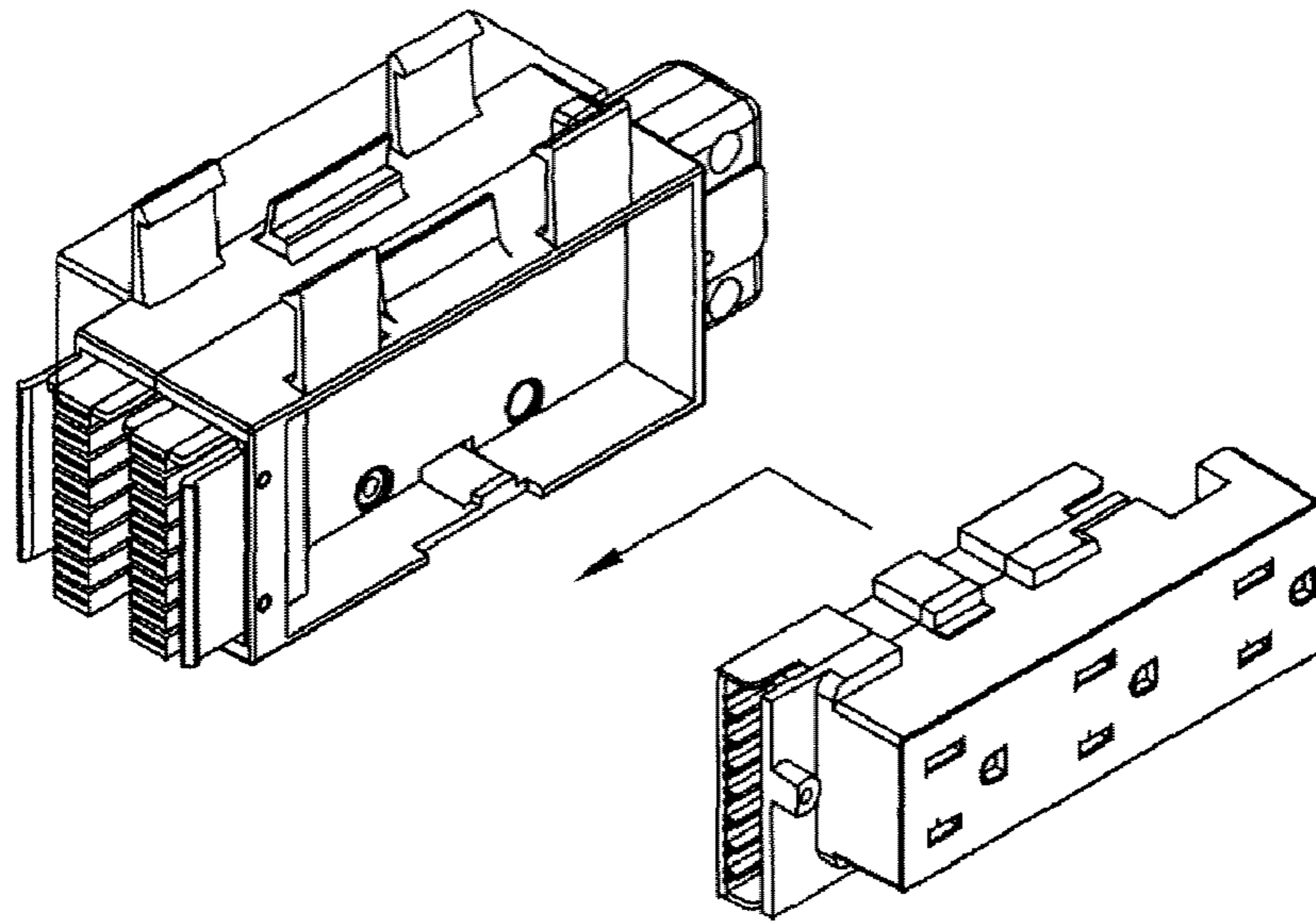


Fig. 9

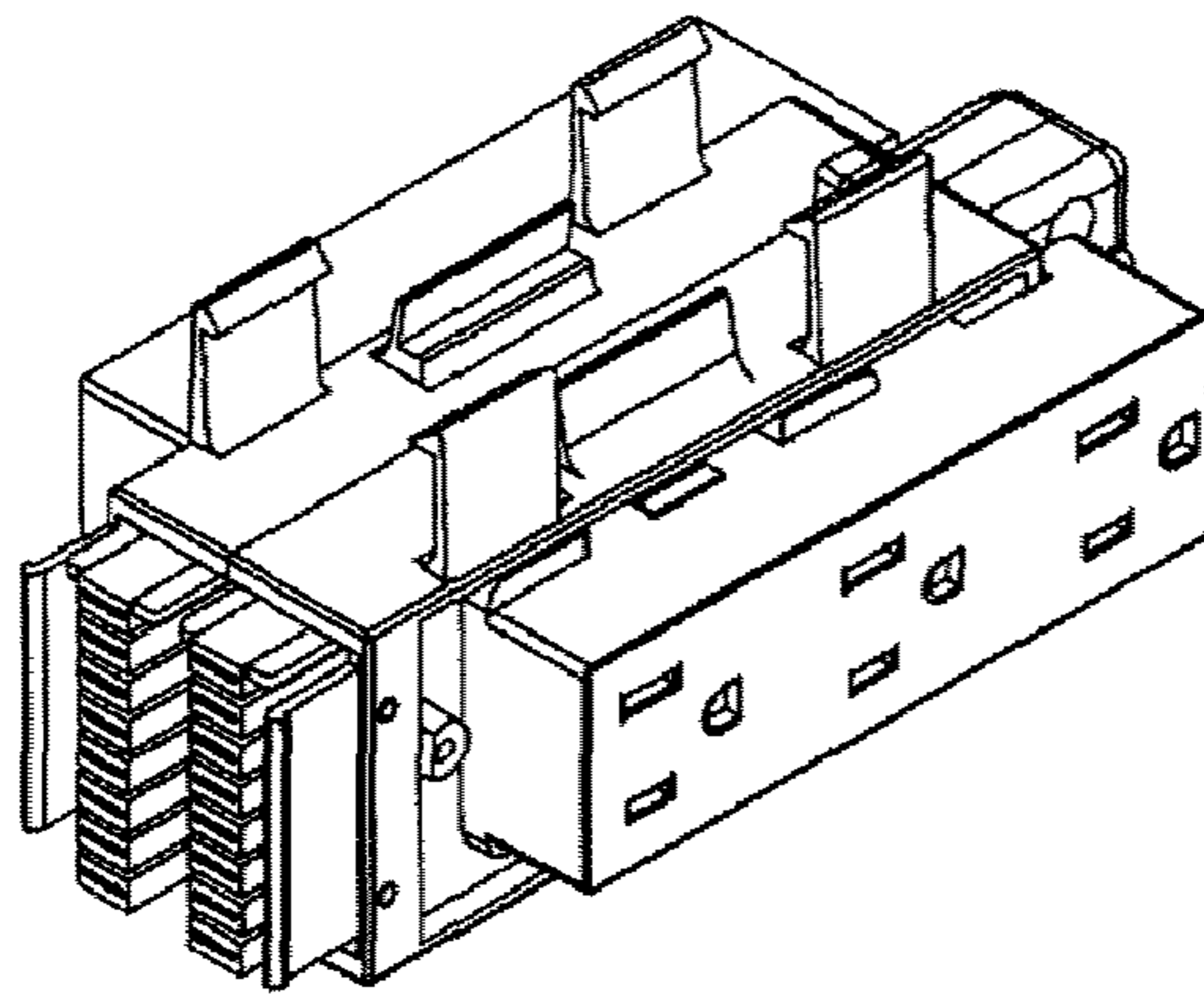


Fig. 10