



US00D588538S

(12) **United States Design Patent**
Auray et al.

(10) **Patent No.:** **US D588,538 S**
(45) **Date of Patent:** **** Mar. 17, 2009**

(54) **ELECTRICAL CONNECTOR OFFSET
NIPPLE WITH FRUSTRO-CONICAL
RETAINING RING**

7,350,832 B1 * 4/2008 Kiely 285/354
7,394,021 B2 * 7/2008 Magno, Jr. 174/59
2004/0046386 A1 * 3/2004 Chien et al. 285/276
2008/0053680 A1 * 3/2008 Kiely et al. 174/70 R

(75) Inventors: **Delbert Auray**, Southport, CT (US);
Lawrence J. Smith, Stamford, CT (US)

OTHER PUBLICATIONS

Arlington Industries, Inc., Catalog No. 491, Apr. 1991, 3 pages.
Bridgeport Fittings, Inc., Catalog No. MC0100 Rev. 2, Jun. 2004, 3
pages including p. 20.

(73) Assignee: **Bridgeport Fittings, Inc.**, Stratford, CT
(US)

* cited by examiner

(**) Term: **14 Years**

Primary Examiner—Daniel D Bui

(21) Appl. No.: **29/307,674**

Assistant Examiner—Thomas J Johannes

(22) Filed: **May 5, 2008**

(74) *Attorney, Agent, or Firm*—Fattibene and Fattibene; Paul
A. Fattibene; Arthur T. Fattibene

(51) **LOC (9) Cl.** **13-03**

(57) **CLAIM**

(52) **U.S. Cl.** **D13/133**

The ornamental design for an electrical connector offset
nipple with frustro-conical retaining ring, as shown and
described.

(58) **Field of Classification Search** D13/133,
D13/146, 147, 154, 184, 199; 439/314-322,
439/680, 752

See application file for complete search history.

DESCRIPTION

(56) **References Cited**

FIG. 1 is a perspective view of an electrical connector offset
nipple with frustro-conical retaining ring showing my new
design;

U.S. PATENT DOCUMENTS

3,000,424 A	9/1961	Weise	
D204,674 S *	5/1966	Trimble	D13/133
D275,848 S *	10/1984	Ricossa	D13/133
D278,230 S *	4/1985	Kominiak et al.	D13/133
D322,954 S *	1/1992	Avramovich	D13/133
D373,568 S *	9/1996	Bloom et al.	D13/133
6,114,631 A *	9/2000	Gretz	174/651
D461,448 S *	8/2002	Amin	D13/133
D499,071 S *	11/2004	Conway et al.	D13/133
D521,931 S *	5/2006	Tufano, Jr.	D13/133

FIG. 2 is a side elevational view thereof, the other side being
a mirror image;

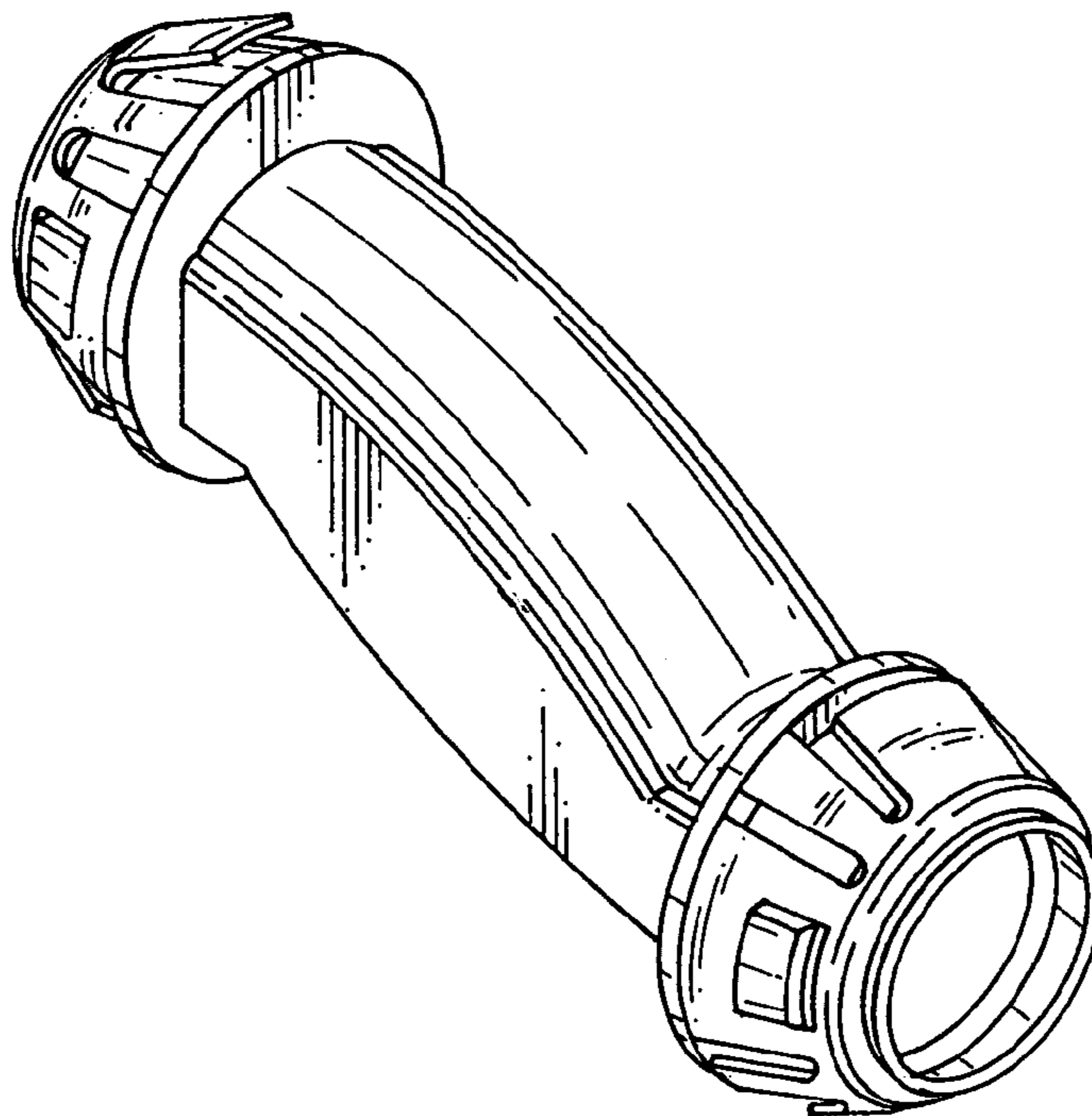
FIG. 3 is a top plan view thereof;

FIG. 4 is a bottom plan view thereof;

FIG. 5 is a left side elevational view thereof; and,

FIG. 6 is a right side elevational view thereof.

1 Claim, 2 Drawing Sheets



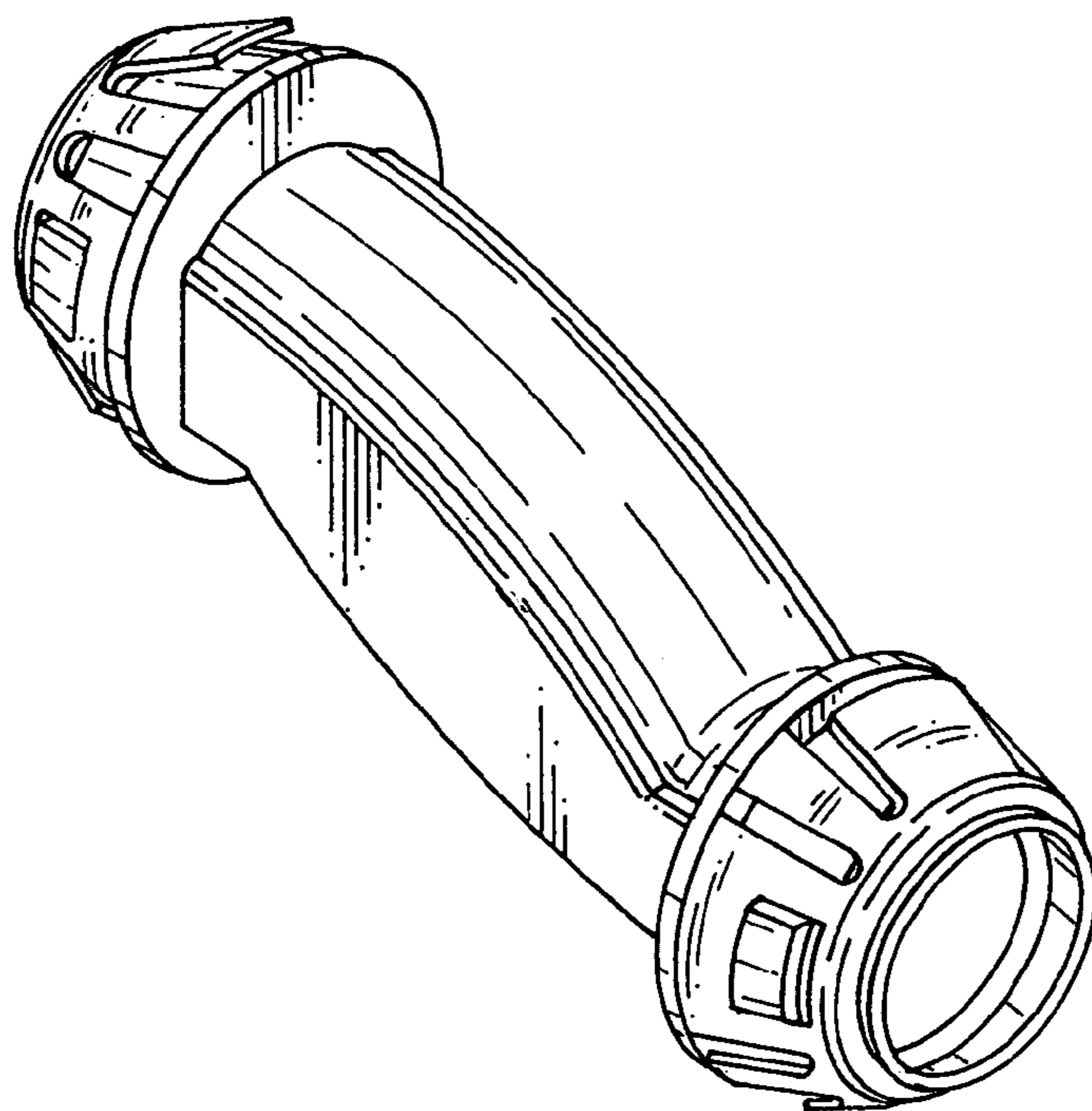


FIG. 1

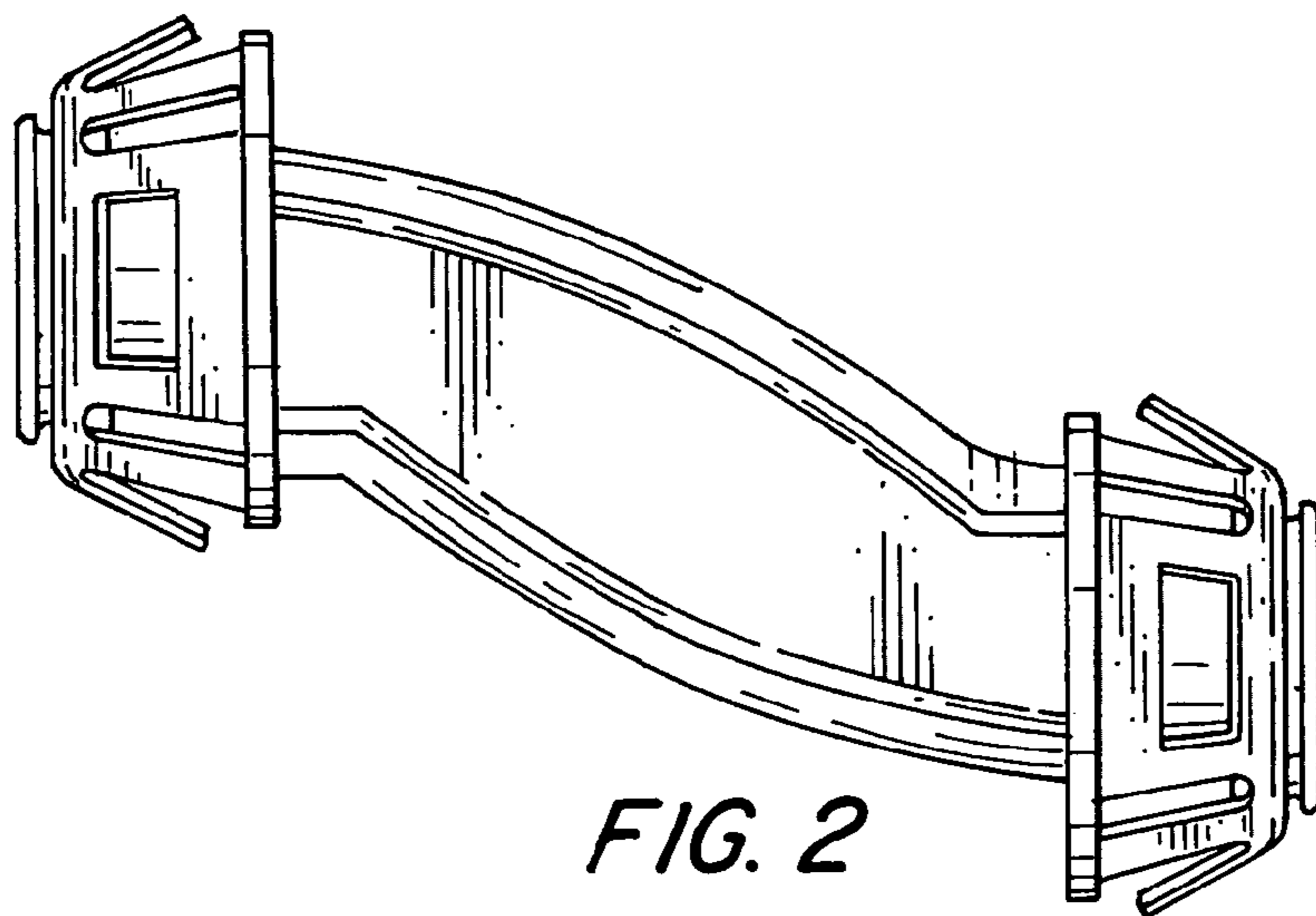


FIG. 2

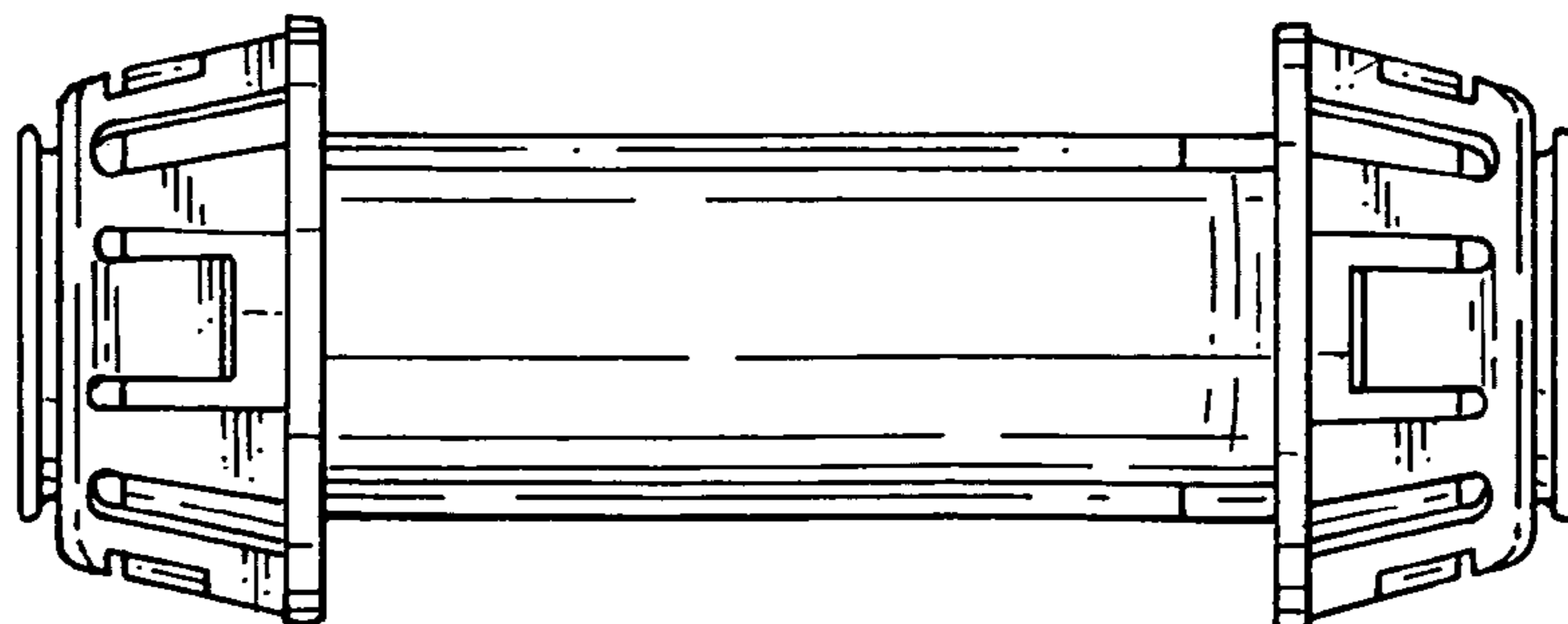


FIG. 3

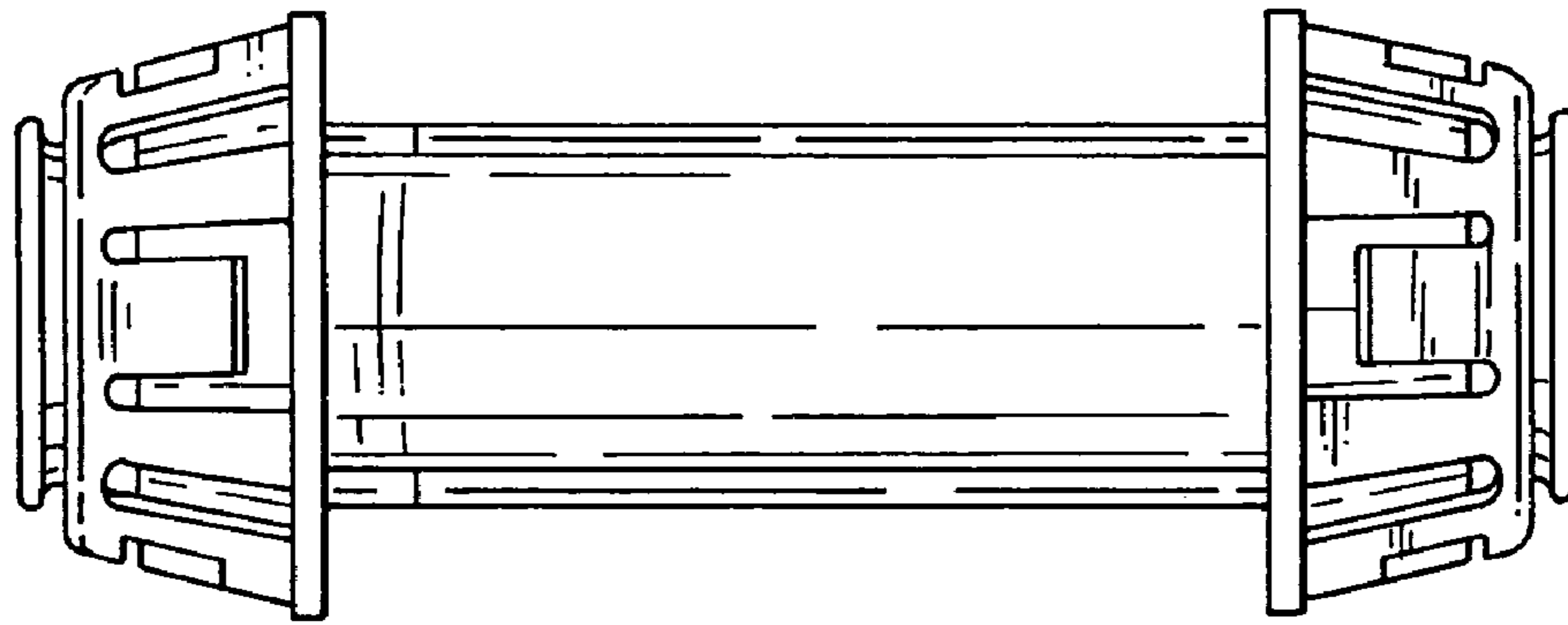


FIG. 4

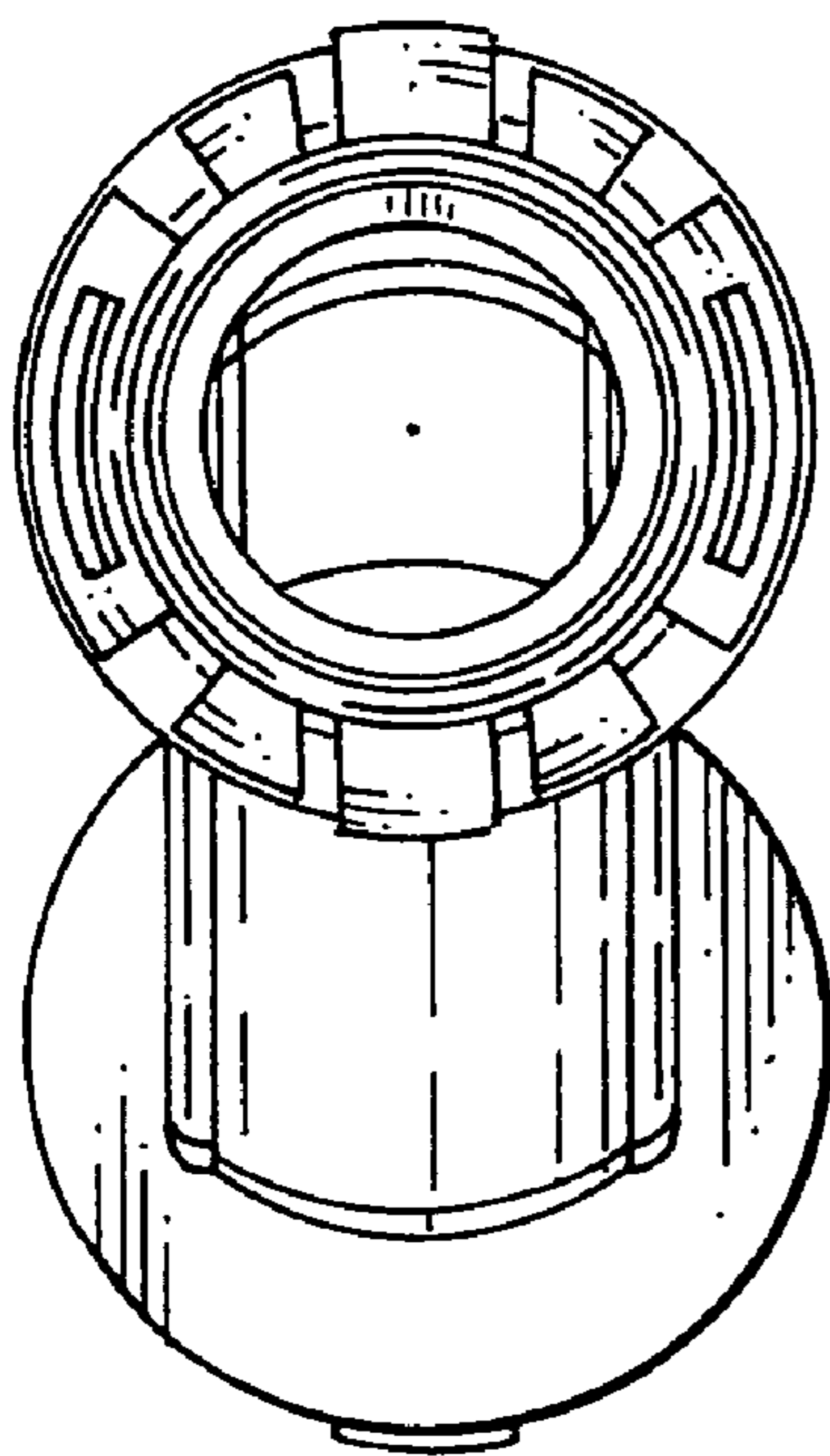


FIG. 5

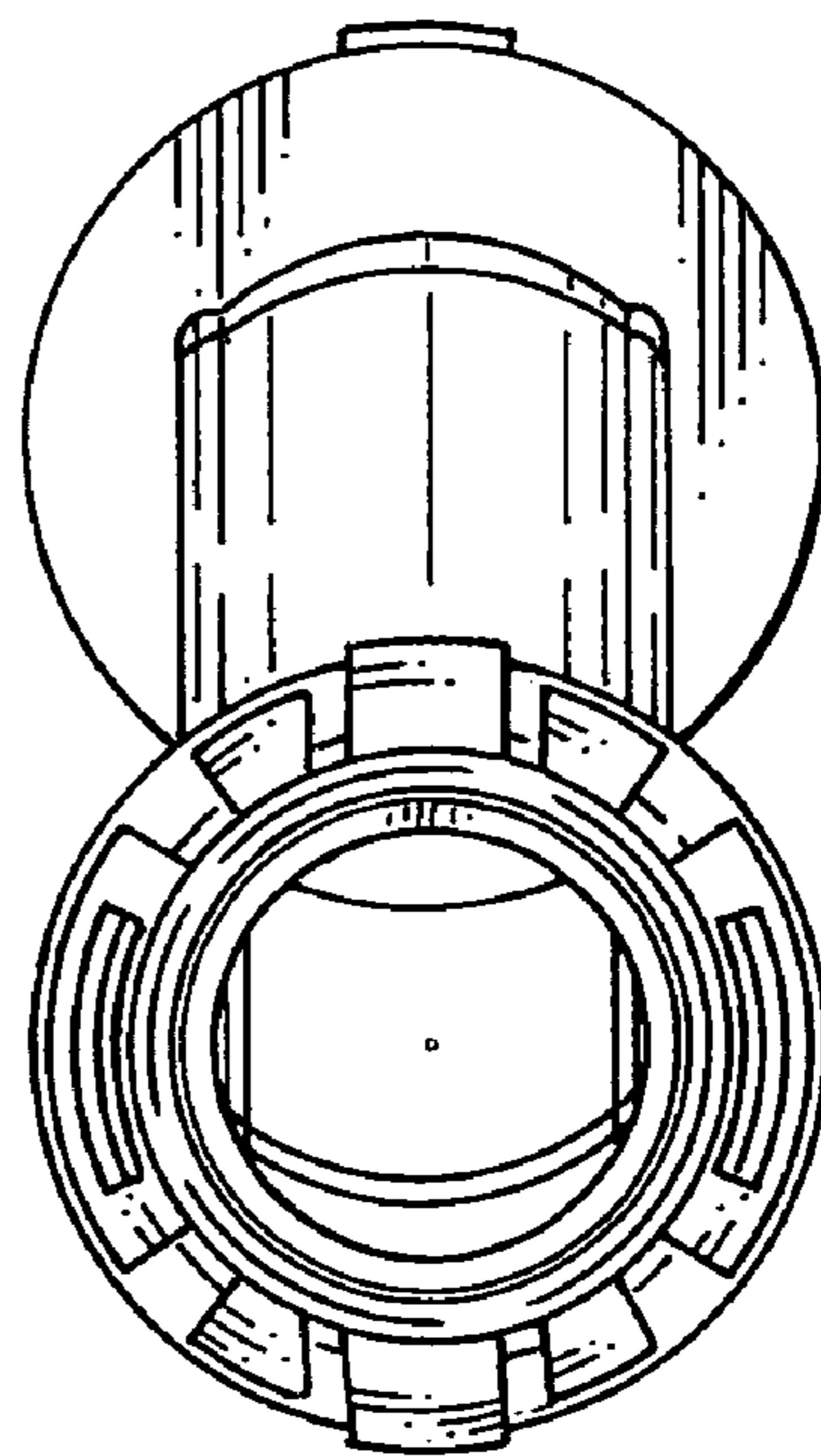


FIG. 6