



US00D588537S

(12) **United States Design Patent**
Allen

(10) **Patent No.:** **US D588,537 S**
(45) **Date of Patent:** **** Mar. 17, 2009**

(54) **STATOR**

(76) **Inventor:** **Wayne M. Allen**, 3241 Armagosa Way,
Jamul, CA (US) 91935

(**) **Term:** **14 Years**

(21) **Appl. No.:** **29/307,484**

(22) **Filed:** **Apr. 22, 2008**

(51) **LOC (9) Cl.** **13-01**

(52) **U.S. Cl.** **D13/122**

(58) **Field of Classification Search** D13/122,
D13/112, 114, 118, 199; D15/5; 310/42,
310/71, 85, 86, 100, 194, 216, 217, 254,
310/258, 259, 260, 267, 268, 271; 336/198,
336/200, 208

See application file for complete search history.

(56) **References Cited**

U.S. PATENT DOCUMENTS

1,756,672	A *	4/1930	Barr	310/259
D443,585	S *	6/2001	Shida et al.	D13/122
6,301,773	B1 *	10/2001	Chemburkar	29/596
D458,222	S *	6/2002	Asao et al.	D13/122
D470,817	S *	2/2003	Oohashi et al.	D13/118

6,584,813	B2 *	7/2003	Peachee et al.	68/23.6
D525,196	S *	7/2006	Rose et al.	D13/122
7,119,467	B2 *	10/2006	Dooley	310/100
7,126,248	B2 *	10/2006	Nishiyama et al.	310/217

* cited by examiner

Primary Examiner—Prabhakar Deshmukh

Assistant Examiner—Derrick Holland

(74) *Attorney, Agent, or Firm*—Calif Tervo Palomar Patent

(57) **CLAIM**

The ornamental design for a stator, as shown and described.

DESCRIPTION

FIG. 1 is a perspective view of a stator showing my new design;

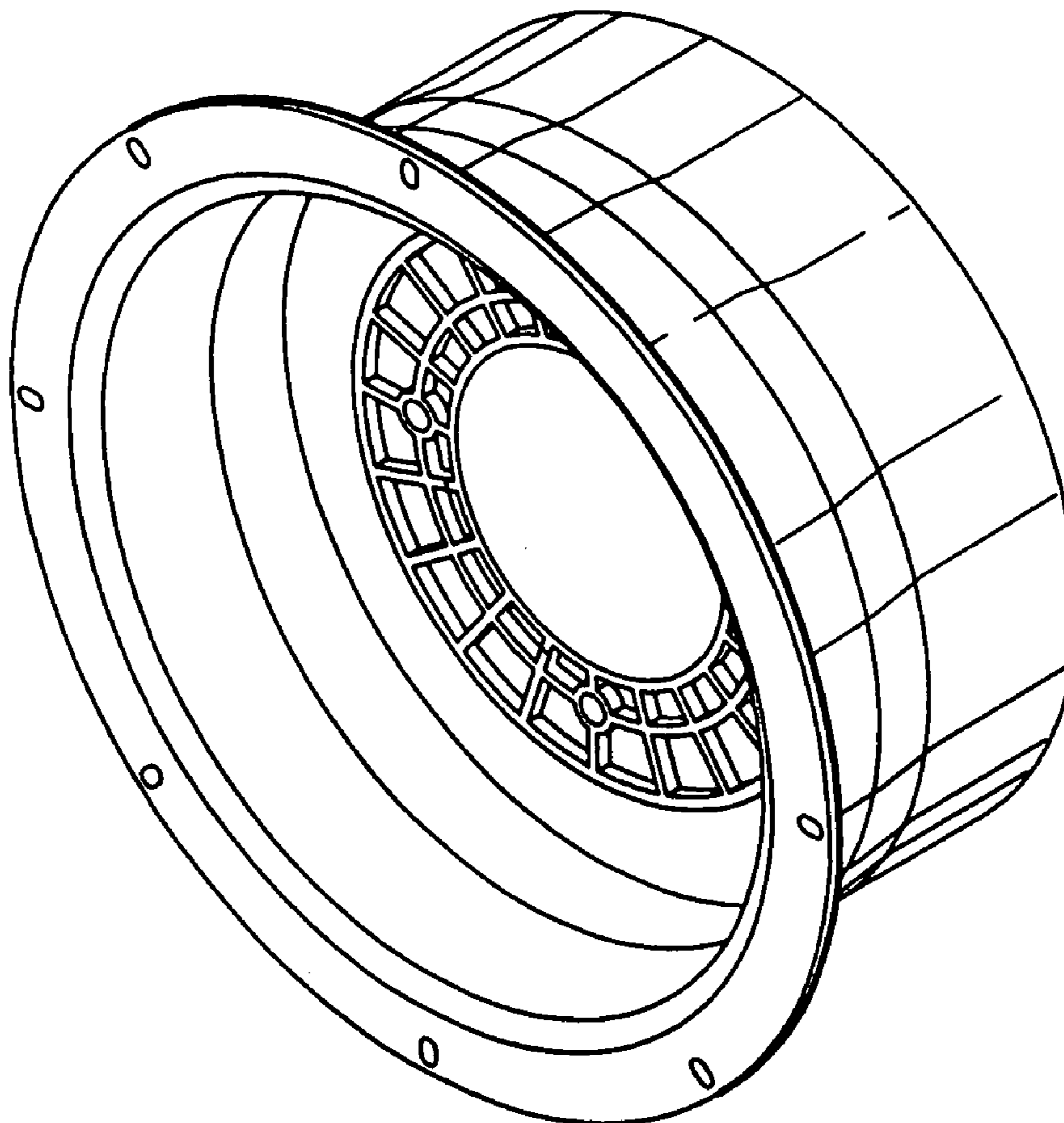
FIG. 2 is a front elevation view thereof;

FIG. 3 is a left side elevation view thereof; the right side view being a mirror image; and,

FIG. 4 is a rear elevation view thereof.

The elements shown in broken lines represent unclaimed subject matter and form no part of the claimed design.

1 Claim, 2 Drawing Sheets



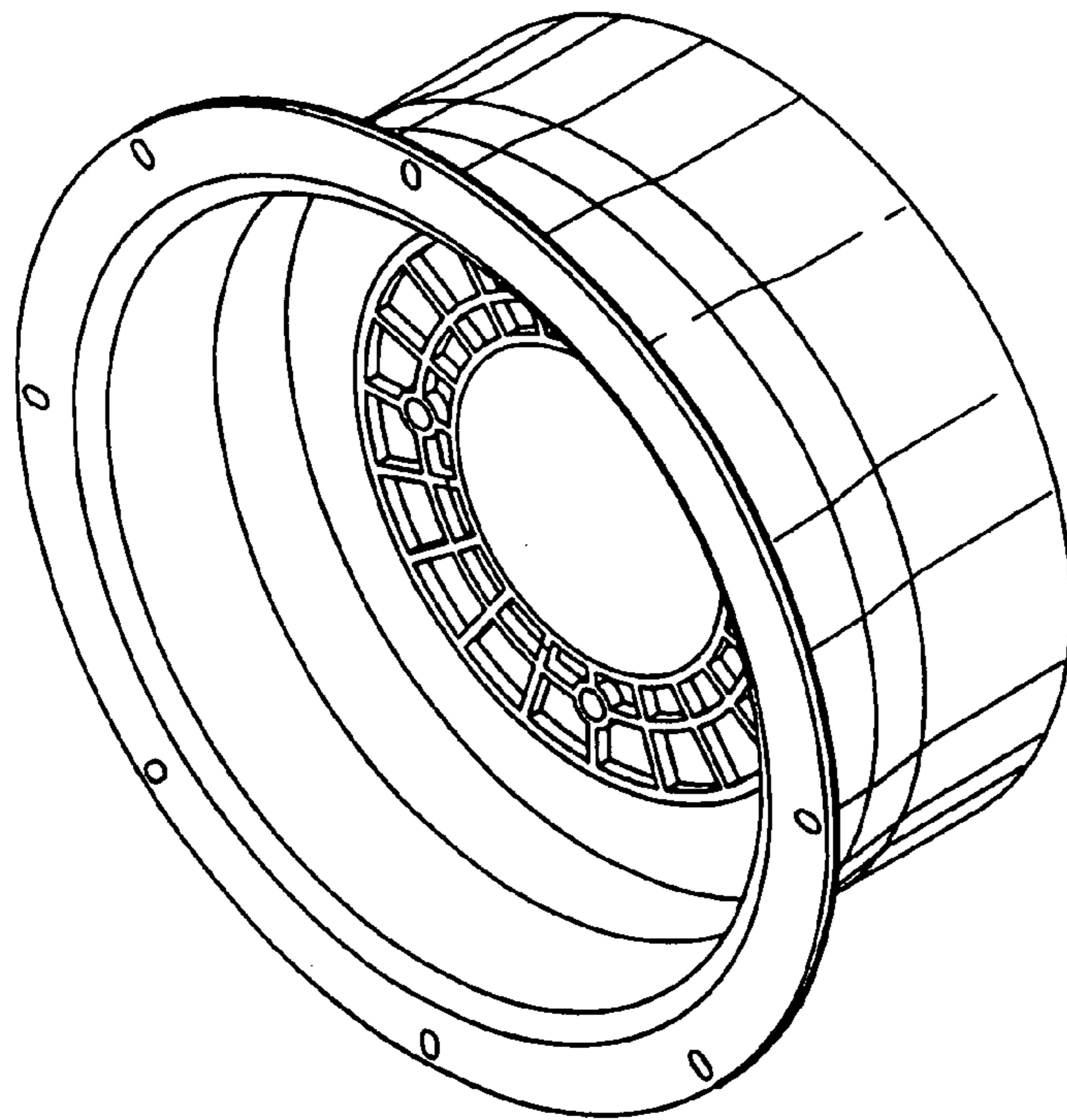


FIG. 1

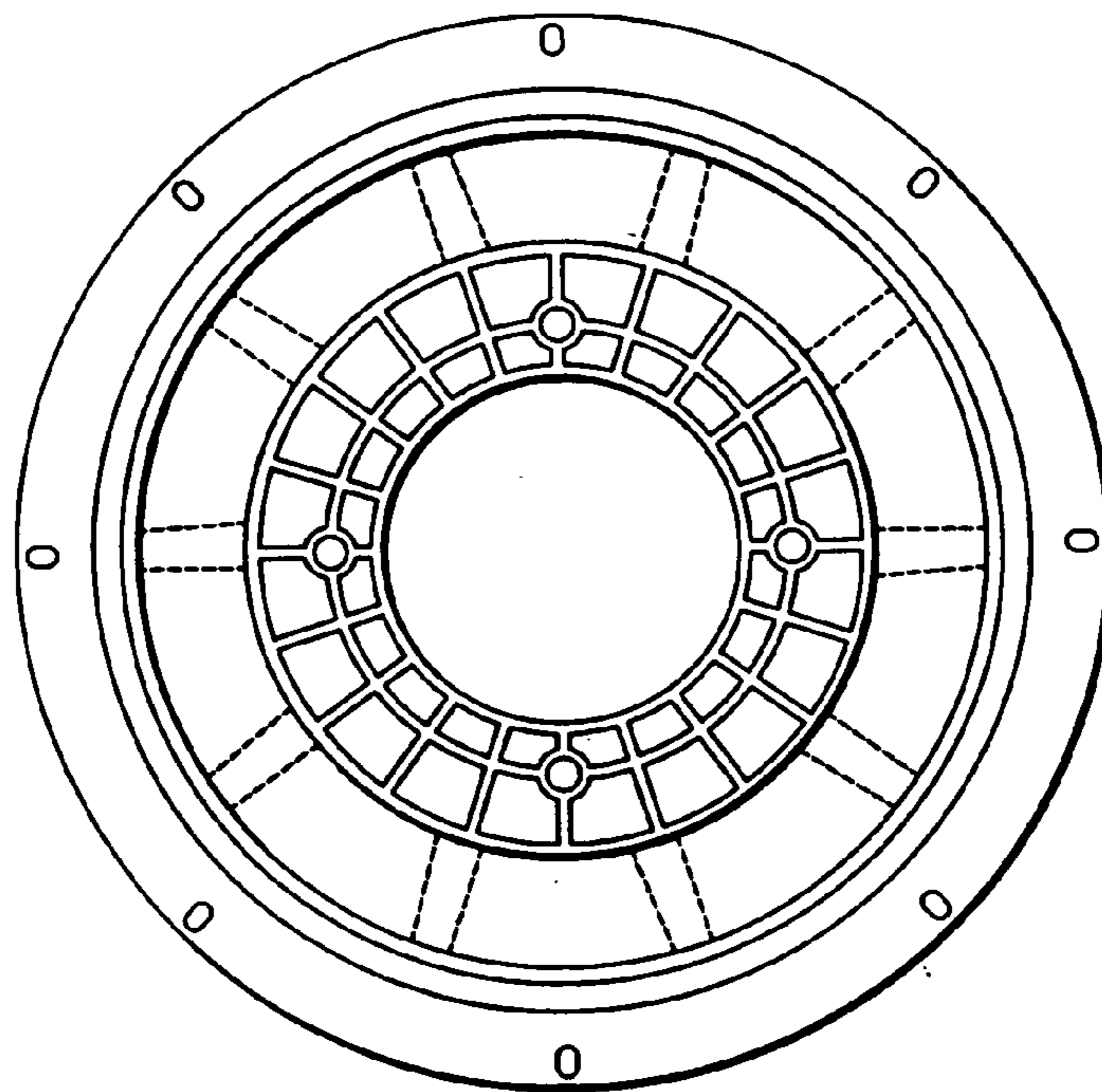


FIG. 2

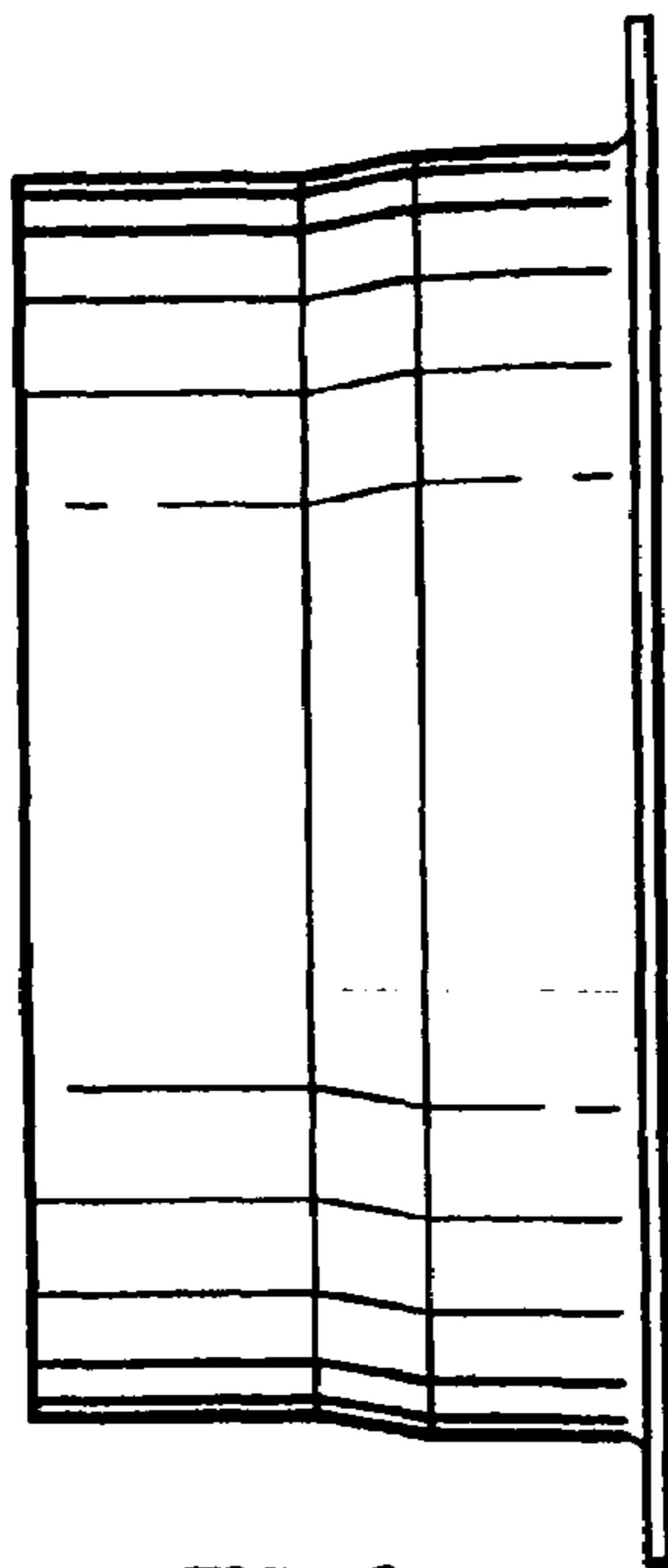


FIG. 3

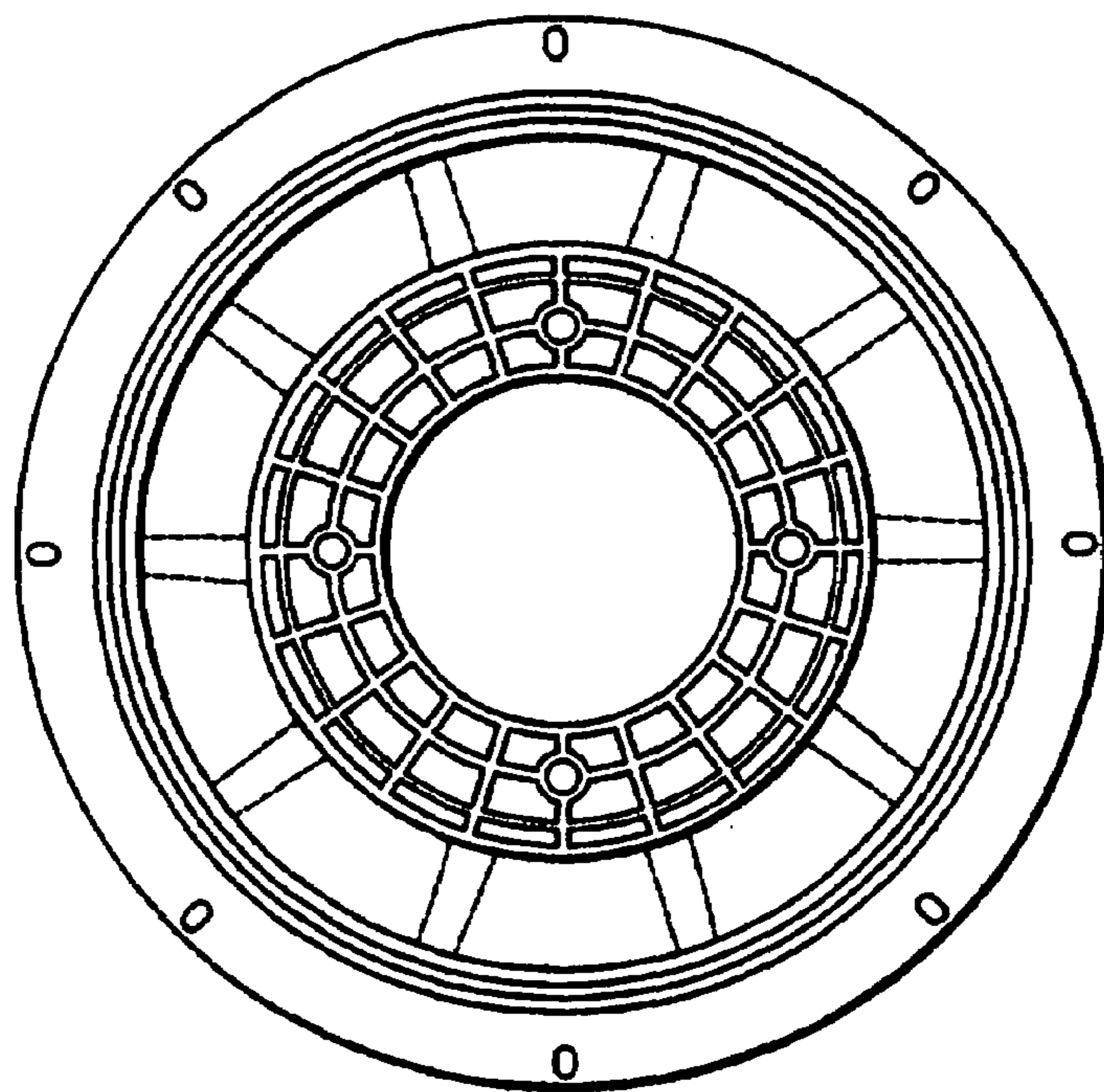


FIG. 4