



US00D588536S

(12) **United States Design Patent**
Wahl et al.

(10) **Patent No.:** **US D588,536 S**
(45) **Date of Patent:** **** Mar. 17, 2009**

(54) **BATTERY AND MOBILE DEVICE CHARGER**

(75) Inventors: **James Wahl**, Export, PA (US); **Chris Nightingale**, Wimbledon (GB); **Graham Lacy**, London (GB)

(73) Assignee: **Vocollect Healthcare Systems, Inc.**, Pittsburgh, PA (US)

(**) Term: **14 Years**

(21) Appl. No.: **29/303,927**

(22) Filed: **Feb. 20, 2008**

(51) **LOC (9) Cl.** **13-02**

(52) **U.S. Cl.** **D13/108**

(58) **Field of Classification Search** D13/107–110,
D13/118–119, 184; D14/251, 253, 432,
D14/434; 320/107–115

See application file for complete search history.

(56) **References Cited**

U.S. PATENT DOCUMENTS

D241,555 S *	9/1976	Goldman et al.	D13/107
D278,426 S *	4/1985	Lanci et al.	D13/107
D278,704 S *	5/1985	Claxton et al.	D13/107
4,845,650 A	7/1989	Meade et al.	
D326,200 S	5/1992	Allen et al.	
5,267,181 A	11/1993	George	
D344,494 S	2/1994	Cardenas	
D345,728 S	4/1994	Tyneski et al.	
D350,329 S *	9/1994	Lindeman et al.	D13/107
D359,474 S	6/1995	Palatov	
5,491,651 A	2/1996	Janik	
5,555,490 A	9/1996	Carroll	
5,572,401 A	11/1996	Carroll	
5,581,492 A	12/1996	Janik	
D385,855 S	11/1997	Ronzani	
D391,234 S	2/1998	Chacon et al.	
5,719,743 A	2/1998	Jenkins et al.	
5,719,744 A	2/1998	Jenkins et al.	
D395,281 S	6/1998	Waldner	
D397,084 S *	8/1998	Siddoway	D13/107

D411,179 S	6/1999	Toyosato	
D413,582 S	9/1999	Tompkins	
D414,470 S	9/1999	Chacon et al.	
6,018,227 A *	1/2000	Kumar et al.	320/106
D424,035 S	5/2000	Steiner et al.	
D430,158 S	8/2000	Bhatia et al.	
D430,159 S	8/2000	Bhatia et al.	
D431,562 S	10/2000	Bhatia et al.	
D434,762 S	12/2000	Ikenaga	
6,157,533 A	12/2000	Sallam et al.	
6,167,413 A	12/2000	Daley	
D436,104 S	1/2001	Bhatia et al.	
D440,966 S	4/2001	Ronzani	
6,229,694 B1	5/2001	Kono	
D444,472 S *	7/2001	Russell et al.	D14/434
6,304,430 B1	10/2001	Laine et al.	
6,304,459 B1	10/2001	Toyosato et al.	

(Continued)

Primary Examiner—Jennifer Rivard
Assistant Examiner—Rosemary K Tarcza
(74) *Attorney, Agent, or Firm*—Wood, Herron & Evans, LLP

(57) **CLAIM**

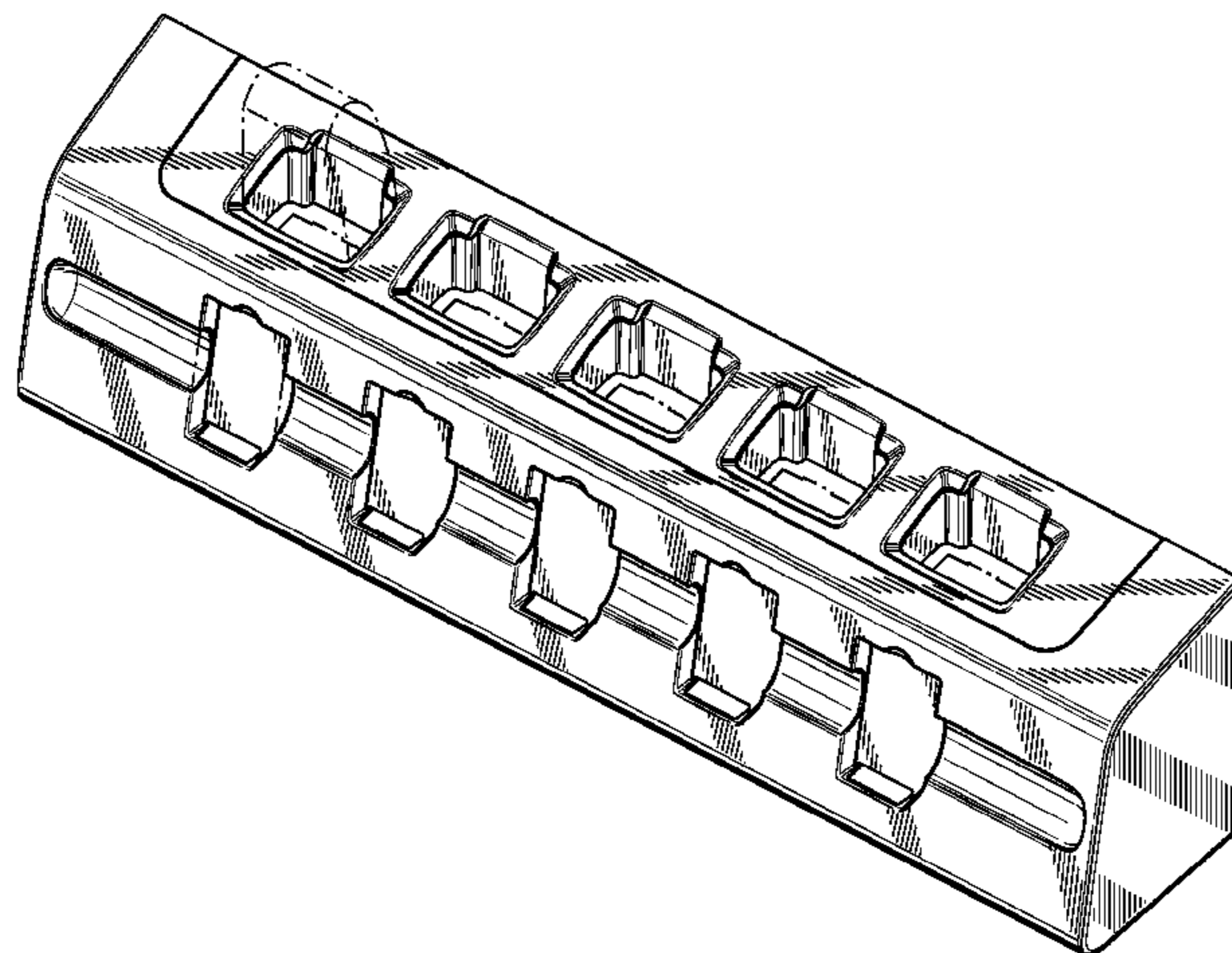
The ornamental design for a battery and mobile device charger, as shown and described.

DESCRIPTION

FIG. 1 is a front perspective view of the invention showing, in broken lines, a battery and mobile device being charged;
FIG. 2 is a front elevational view of FIG. 1;
FIG. 3 is a rear elevational view of FIG. 1;
FIG. 4 is a right side elevational view of FIG. 1;
FIG. 5 is a left side elevational view of FIG. 1;
FIG. 6 is a top view of FIG. 1; and,
FIG. 7 is a bottom view of FIG. 1.

Any elements shown in dash-dot broken lines form no part of the claimed invention in this application.

1 Claim, 3 Drawing Sheets



US D588,536 S

Page 2

U.S. PATENT DOCUMENTS

6,324,053	B1	11/2001	Kamijo	6,765,366	B2	7/2004	Maggert et al.	
6,359,777	B1	3/2002	Newman et al.	D510,562	S *	10/2005	Lodato et al.	D13/108
D461,814	S	8/2002	Felix et al.	D519,921	S *	5/2006	Claxton et al.	D13/108
6,532,148	B2	3/2003	Jenks et al.	D520,447	S *	5/2006	Liu	D13/108
6,560,092	B2	5/2003	Itou et al.	D530,667	S *	10/2006	Viduya et al.	D13/107
D476,659	S *	7/2003	Ying et al.	2001/0046305	A1	11/2001	Muranami et al.	
6,628,509	B2	9/2003	Kono	2004/0080298	A1 *	4/2004	Maggert et al.	320/107

* cited by examiner

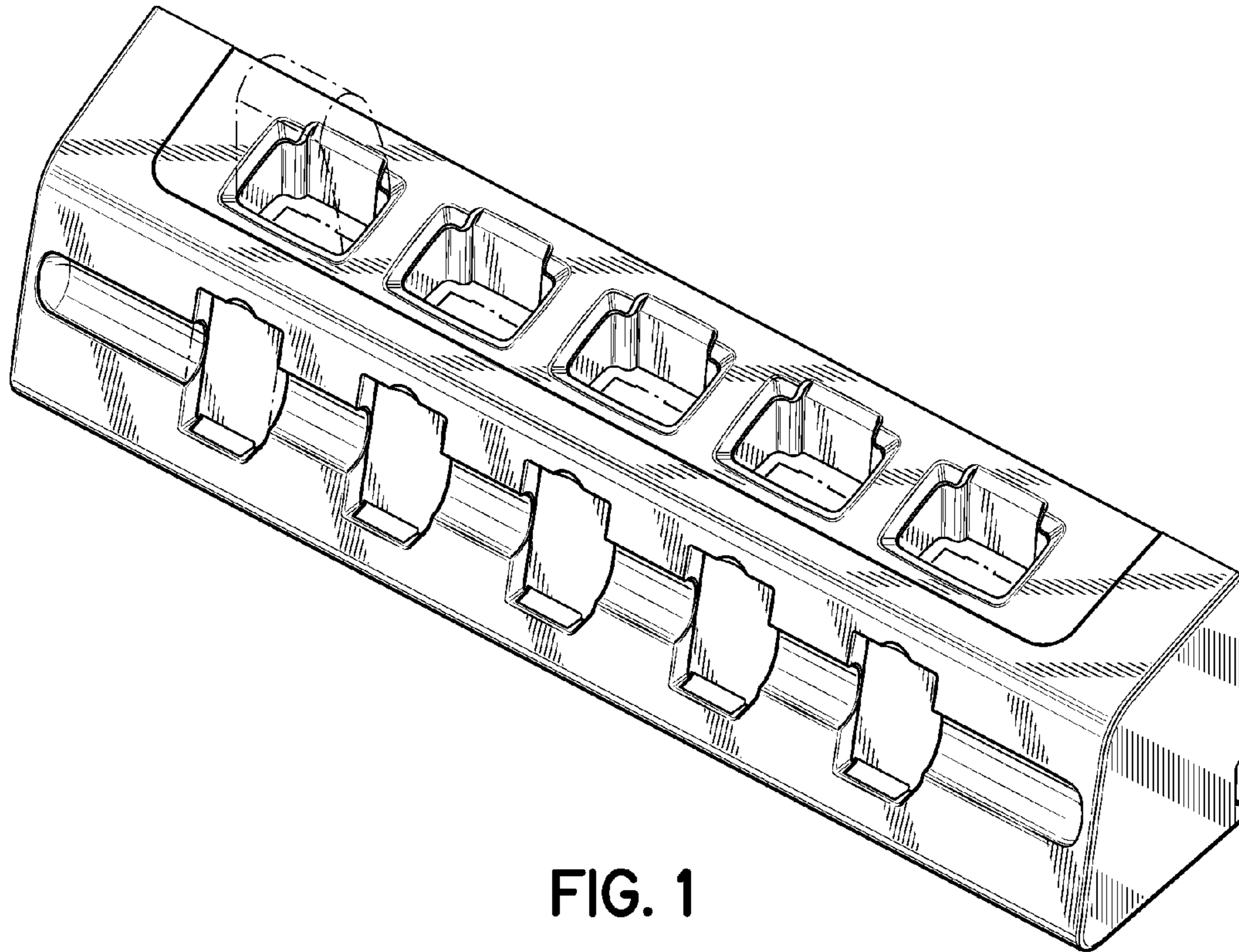


FIG. 1

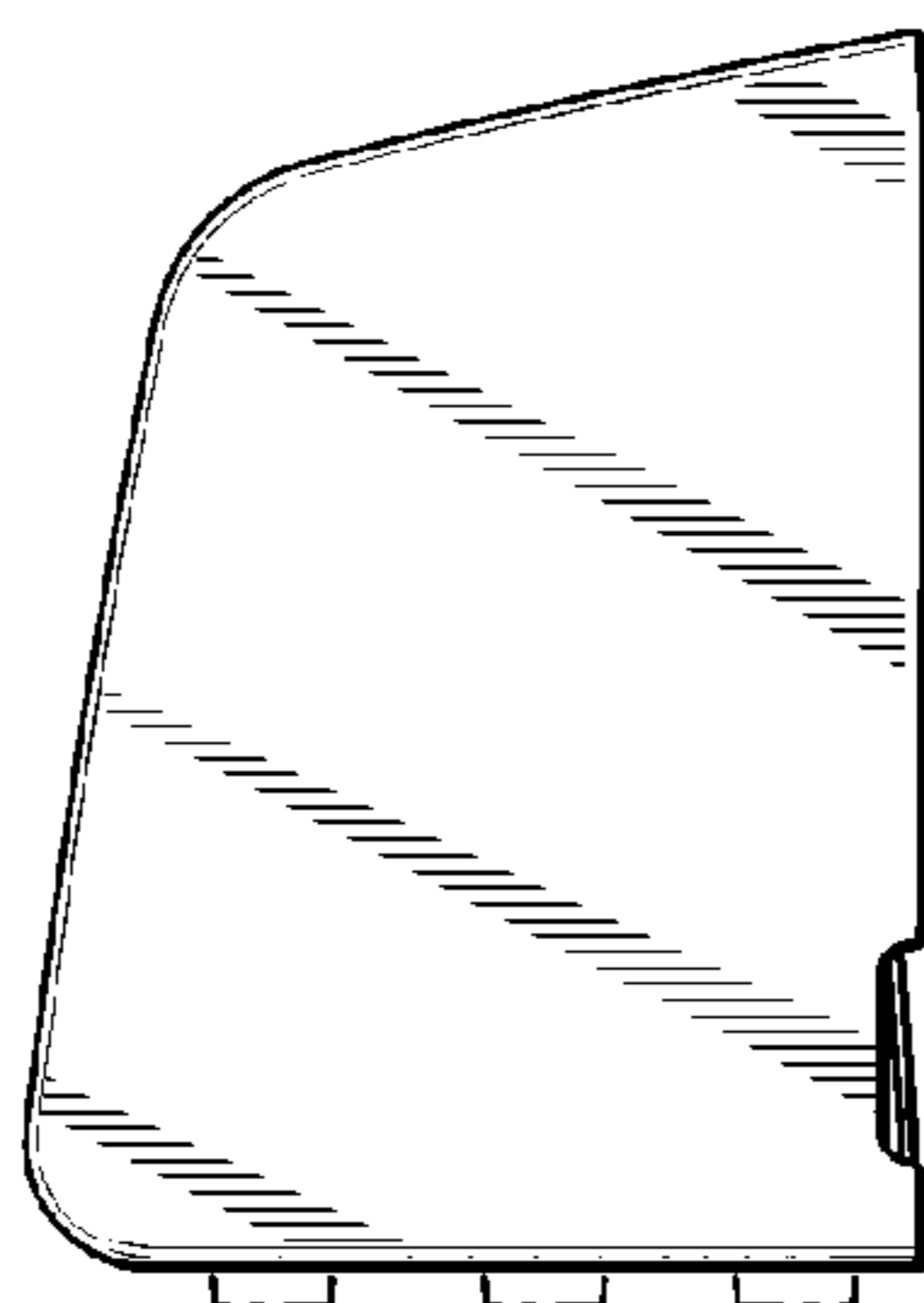


FIG. 4

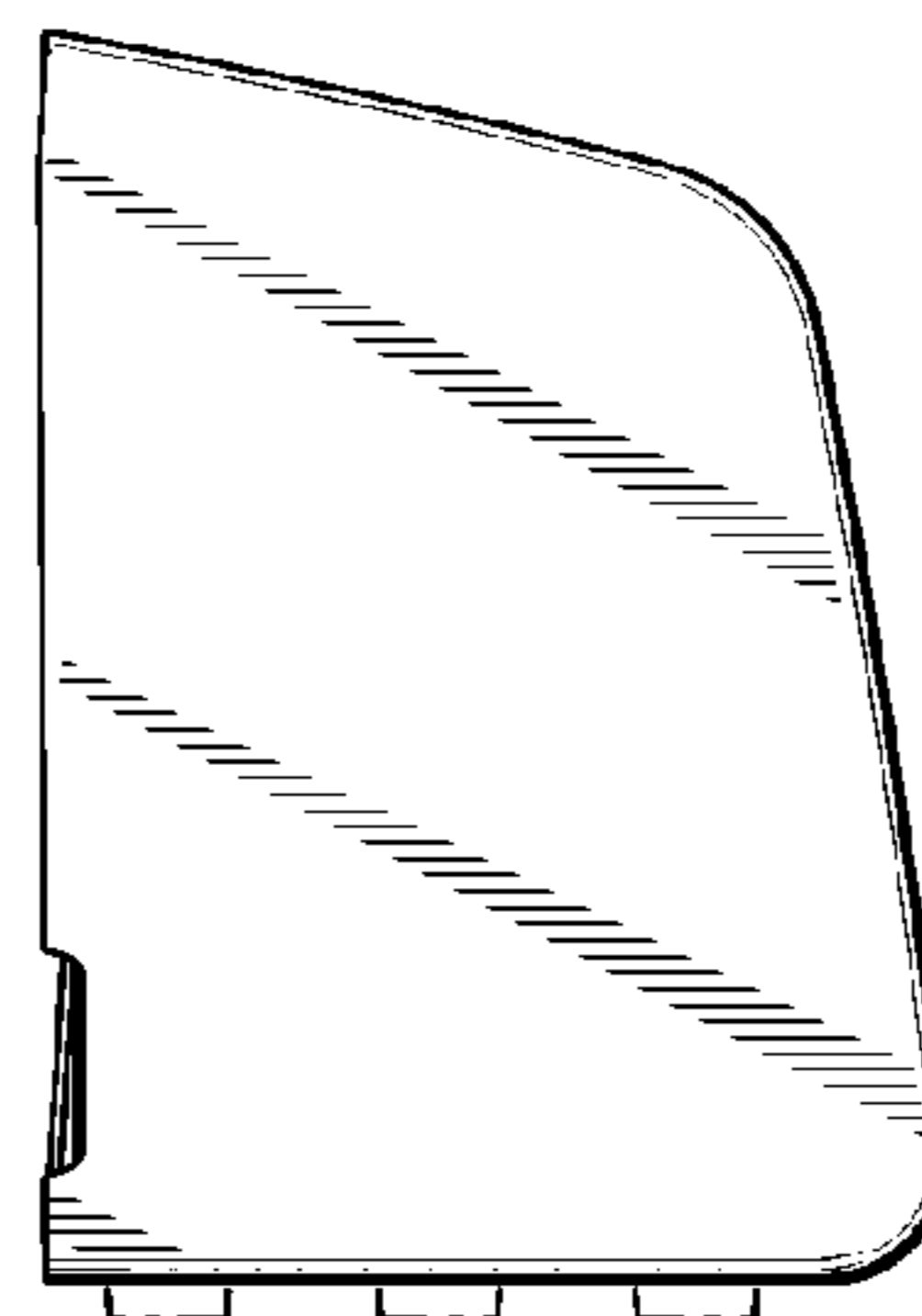


FIG. 5

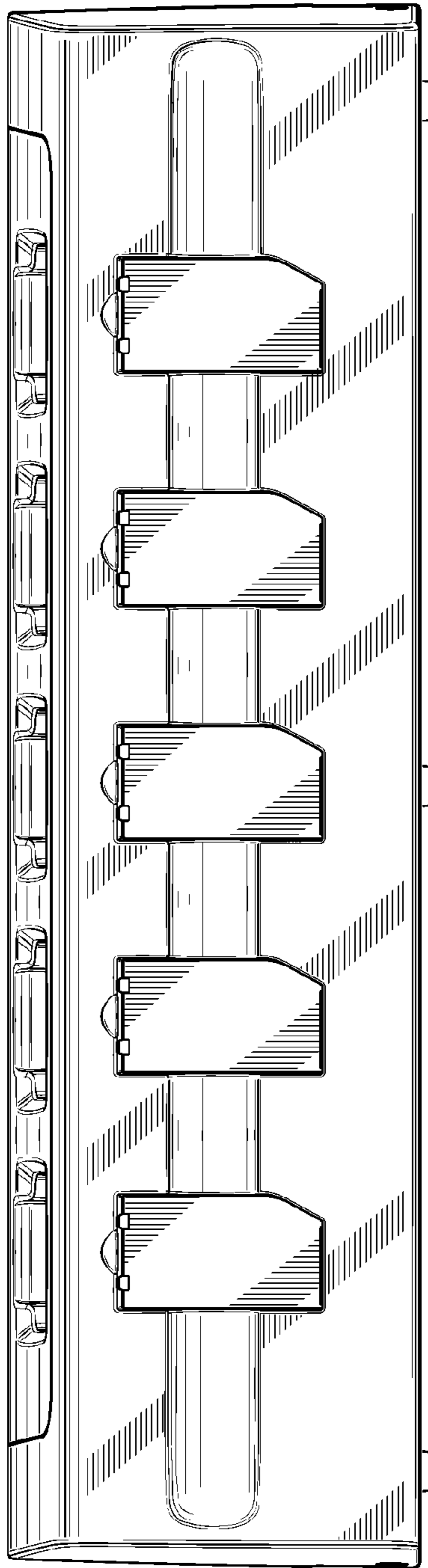


FIG. 2

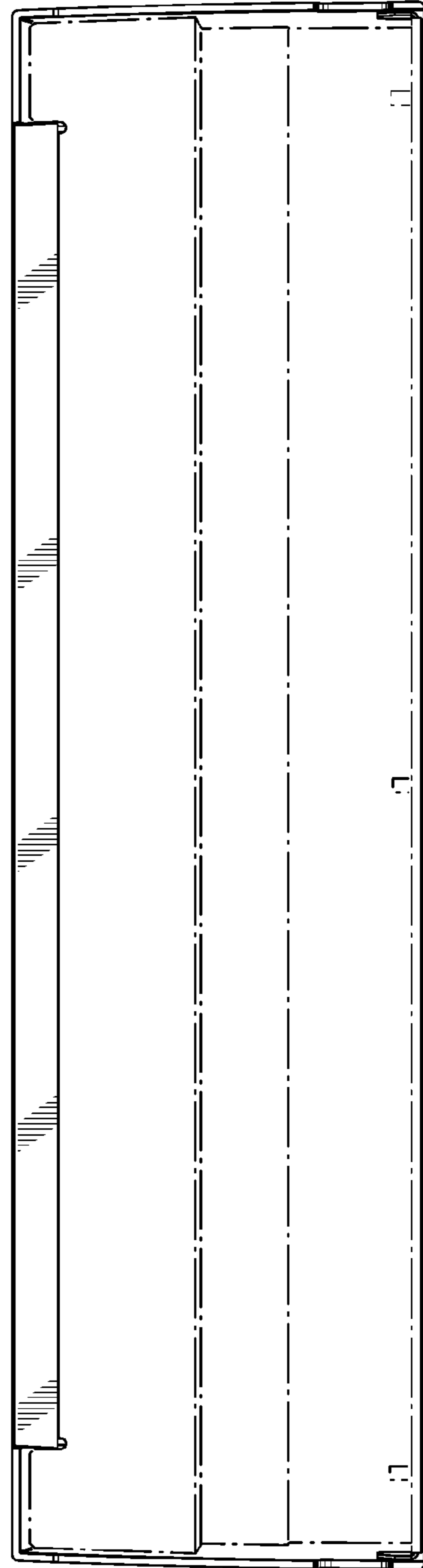


FIG. 3

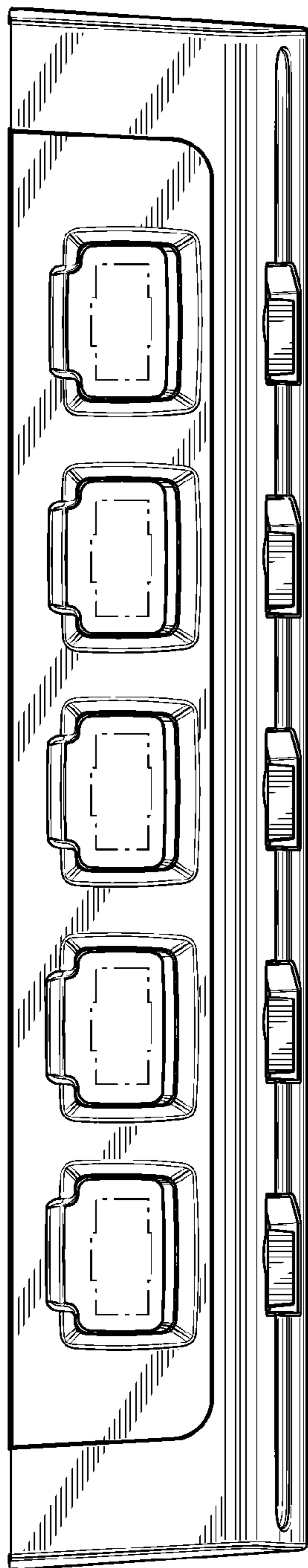


FIG. 6

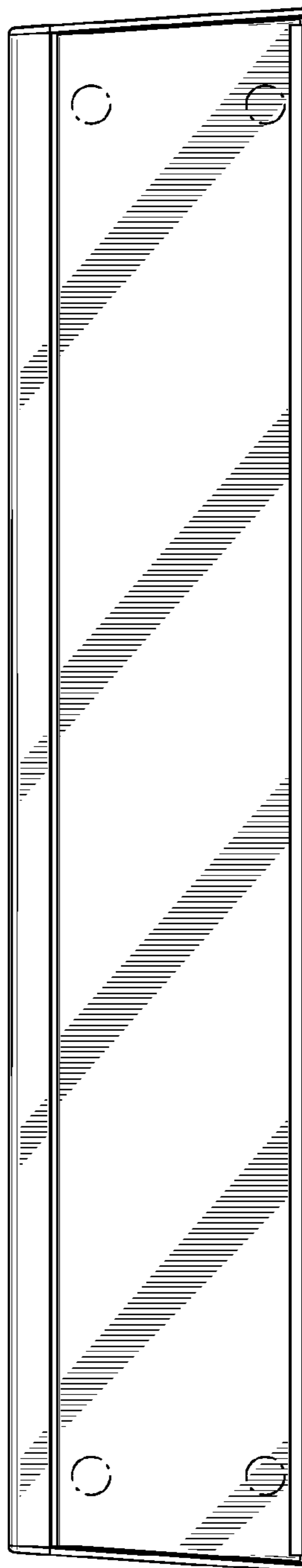


FIG. 7