



US00D588534S

(12) **United States Design Patent**  
**Sharma et al.**

(10) **Patent No.:** **US D588,534 S**  
(45) **Date of Patent:** **\*\* Mar. 17, 2009**

- (54) **SHAPED SOLAR CELL PACKAGE**
- (75) Inventors: **Suvi Sharma**, Oakland, CA (US); **Kevin Gibson**, Redwood City, CA (US); **Alelie Fucell**, Fremont, CA (US)
- (73) Assignee: **Solaria Corporation**, Fremont, CA (US)
- (\*\*) Term: **14 Years**
- (21) Appl. No.: **29/282,691**
- (22) Filed: **Jul. 26, 2007**

- 4,463,749 A 8/1984 Sobczak et al.
- 4,511,618 A 4/1985 Duchene et al.
- 4,571,812 A 2/1986 Gee
- 4,589,191 A 5/1986 Green et al.
- 4,683,154 A 7/1987 Benson et al.
- 4,691,994 A 9/1987 Afian et al.
- 4,848,319 A 7/1989 Appeldorn
- 4,863,224 A 9/1989 Afian et al.
- 4,964,713 A 10/1990 Goetzberger
- 4,999,059 A 3/1991 Bagno
- D317,210 S \* 5/1991 Rodriguez et al. .... D25/138
- 5,080,725 A 1/1992 Green et al.
- 5,118,361 A 6/1992 Fraas et al.
- 5,153,780 A 10/1992 Jorgensen et al.

- (51) **LOC (9) Cl.** ..... **13-02**
- (52) **U.S. Cl.** ..... **D13/102**
- (58) **Field of Classification Search** ..... D13/102,  
D13/101, 103, 184, 199; D6/616, 622; D25/106,  
D25/138, 158, 199; 126/561, 569, 683; 136/206,  
136/244-251, 256, 291, 292

See application file for complete search history.

(56) **References Cited**

**U.S. PATENT DOCUMENTS**

- 3,700,714 A 10/1972 Hamilton et al.
- D234,504 S \* 3/1975 Groff ..... D25/158
- 4,029,519 A 6/1977 Schertz et al.
- 4,091,798 A 5/1978 Fletcher et al.
- 4,097,308 A 6/1978 Klein et al.
- 4,118,249 A 10/1978 Graven et al.
- 4,122,833 A 10/1978 Lovelace et al.
- 4,143,234 A 3/1979 Johnson et al.
- 4,166,917 A 9/1979 Dorfled et al.
- 4,170,507 A 10/1979 Keeling et al.
- D261,030 S \* 9/1981 King ..... D13/102
- 4,291,191 A 9/1981 Dahlberg
- 4,293,192 A 10/1981 Bronstein
- 4,295,463 A 10/1981 Citron
- 4,333,447 A 6/1982 Lemrow et al.
- 4,361,136 A 11/1982 Huang
- 4,404,422 A 9/1983 Green et al.
- 4,440,153 A 4/1984 Melchior
- 4,449,514 A 5/1984 Selcuk
- 4,454,371 A 6/1984 Folino
- 4,457,297 A 7/1984 Sobczak et al.

(Continued)

**FOREIGN PATENT DOCUMENTS**

AU 743826 B2 2/2002

(Continued)

**OTHER PUBLICATIONS**

Boedeker Plastics, Inc.: Acrylic Polymethyl-MethAcrylate PMMA datasheet, <http://www.boedeker.com/acryl.html>; May 7, 1999; pp. 1-2.

(Continued)

*Primary Examiner*—Stella M Reid  
*Assistant Examiner*—Derrick Holland  
(74) *Attorney, Agent, or Firm*—Townsend and Townsend and Crew, LLP

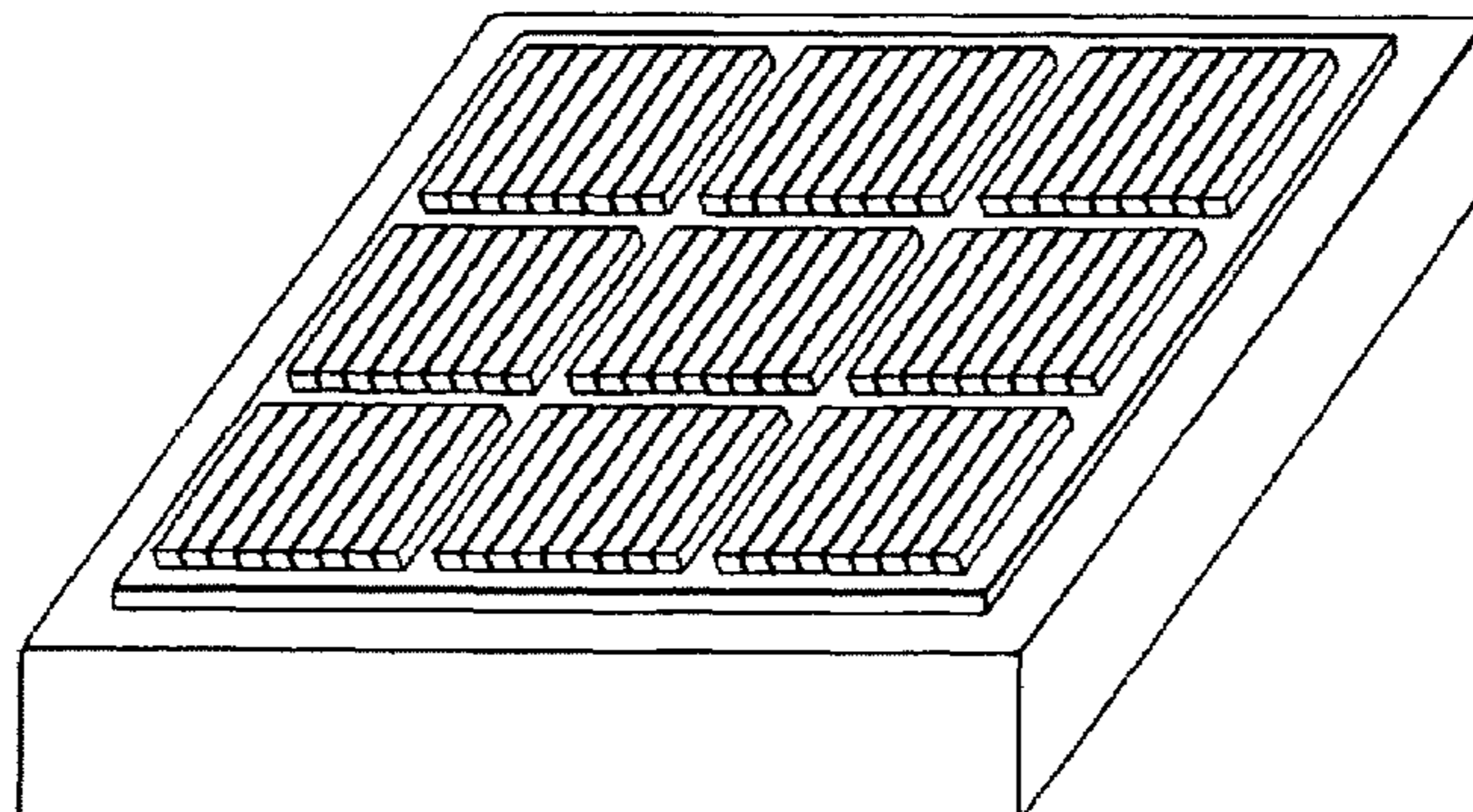
(57) **CLAIM**

The ornamental design for a shaped solar cell package, as shown and described.

**DESCRIPTION**

FIG. 1 is a top plan view of a shaped solar cell package showing our new design;  
FIG. 2 is a bottom plan view thereof; and,  
FIG. 3 is a top and side perspective view thereof.

**1 Claim, 2 Drawing Sheets**



# US D588,534 S

Page 2

## U.S. PATENT DOCUMENTS

5,167,724 A 12/1992 Chiang  
 5,174,275 A 12/1992 Holland  
 D332,509 S \* 1/1993 Kovatch ..... D30/120  
 5,240,510 A 8/1993 Goldade et al.  
 5,245,985 A 9/1993 Holland  
 5,261,970 A 11/1993 Landis et al.  
 5,344,496 A \* 9/1994 Stern et al. .... 136/246  
 5,356,488 A 10/1994 Hezel  
 5,365,920 A 11/1994 Lechner  
 D353,129 S \* 12/1994 Ricaud et al. .... D13/102  
 5,395,070 A 3/1995 Wilk  
 5,449,626 A 9/1995 Hezel  
 5,460,659 A 10/1995 Krut  
 5,466,301 A 11/1995 Hammerbacher et al.  
 5,498,297 A 3/1996 O'Neill et al.  
 5,517,339 A 5/1996 Riccobono et al.  
 5,529,054 A 6/1996 Shoen  
 5,542,409 A 8/1996 Sampayo  
 5,542,988 A \* 8/1996 Bogus ..... 136/244  
 5,564,411 A 10/1996 Gerics  
 5,660,644 A 8/1997 Clemens  
 5,707,459 A 1/1998 Itoyama et al.  
 D391,921 S \* 3/1998 Zimmer et al. .... D13/102  
 5,735,966 A 4/1998 Luch  
 5,782,993 A 7/1998 Ponewash  
 5,787,878 A 8/1998 Ratliff, Jr.  
 5,790,304 A 8/1998 Sanders et al.  
 5,851,309 A 12/1998 Kousa  
 5,865,905 A 2/1999 Clemens  
 5,877,874 A 3/1999 Rosenberg  
 5,882,434 A 3/1999 Horne  
 5,936,777 A 8/1999 Dempewolf  
 5,959,787 A 9/1999 Fairbanks  
 5,964,216 A 10/1999 Hoffschmidt et al.  
 6,008,449 A 12/1999 Cole  
 6,049,035 A 4/2000 Tsuru et al.  
 6,057,505 A 5/2000 Ortabasi  
 6,091,017 A 7/2000 Stern  
 6,091,020 A 7/2000 Fairbanks et al.  
 6,107,564 A 8/2000 Aguilera et al.  
 6,118,067 A 9/2000 Lashley et al.  
 6,134,784 A 10/2000 Carrie et al.  
 6,167,724 B1 1/2001 Pozivil  
 D442,139 S \* 5/2001 Sasaoka ..... D13/102  
 6,274,402 B1 8/2001 Verlinden et al.  
 6,274,860 B1 8/2001 Rosenberg  
 6,294,723 B2 9/2001 Uematsu et al.  
 D448,722 S \* 10/2001 Drummond ..... D13/102  
 6,309,901 B1 10/2001 Tahon et al.  
 6,323,415 B1 11/2001 Uematsu et al.  
 6,333,457 B1 \* 12/2001 Mulligan et al. .... 136/255  
 6,337,283 B1 1/2002 Verlinden et al.  
 6,387,726 B1 5/2002 Verlinden et al.  
 6,423,568 B1 7/2002 Verlinden et al.  
 6,429,037 B1 8/2002 Wenham et al.  
 6,433,913 B1 8/2002 Bauer et al.  
 6,440,769 B2 8/2002 Peumans et al.  
 6,479,744 B1 11/2002 Tsuzuki et al.  
 6,528,716 B2 3/2003 Collette et al.  
 6,528,718 B2 3/2003 Yoda et al.  
 6,612,705 B1 9/2003 Davidson et al.  
 6,619,282 B1 \* 9/2003 Murtha ..... 126/636  
 6,620,995 B2 9/2003 Vasylyev et al.  
 6,666,207 B1 12/2003 Arkas et al.  
 6,676,263 B2 1/2004 Winston  
 D487,884 S \* 3/2004 Peress et al. .... D13/102  
 6,700,054 B2 3/2004 Cherney et al.  
 6,700,055 B2 3/2004 Barone  
 D491,285 S \* 6/2004 Mock ..... D25/138  
 6,804,062 B2 10/2004 Atwater et al.  
 6,843,573 B2 1/2005 Rabinowitz et al.

D501,563 S \* 2/2005 Miller et al. .... D25/48  
 6,849,797 B2 2/2005 Koyanagi et al.  
 D507,528 S \* 7/2005 Feldman et al. .... D13/110  
 2002/0007845 A1 1/2002 Collette et al.  
 2002/0018308 A1 2/2002 Winston  
 2002/0075579 A1 6/2002 Vasylyev et al.  
 2002/0139414 A1 10/2002 Vasylyev et al.  
 2003/0015233 A1 1/2003 Barone  
 2003/0037814 A1 2/2003 Gilbert et al.  
 2003/0081333 A1 5/2003 Winston  
 2003/0095340 A1 5/2003 Atwater et al.  
 2003/0121542 A1 7/2003 Harneit et al.  
 2003/0156337 A1 8/2003 Davidson et al.  
 2003/0201007 A1 \* 10/2003 Fraas et al. .... 136/246  
 2004/0016454 A1 1/2004 Murphy et al.  
 2004/0021964 A1 2/2004 Rabinowitz et al.  
 2004/0084077 A1 5/2004 Aylaian  
 2004/0097012 A1 \* 5/2004 Weber et al. .... 438/113  
 2004/0123895 A1 7/2004 Kardauskas et al.  
 2004/0134531 A1 7/2004 Habraken et al.  
 2004/0194820 A1 10/2004 Barone  
 2004/0243364 A1 12/2004 Wendelin et al.  
 2004/0246605 A1 12/2004 Stiles et al.  
 2005/0070059 A1 3/2005 Blakers et al.  
 2005/0081908 A1 4/2005 Stewart  
 2005/0081909 A1 4/2005 Paull  
 2005/0087294 A1 4/2005 Rabinowitz  
 2006/0054211 A1 3/2006 Meyers et al.

## FOREIGN PATENT DOCUMENTS

AU 220348 A5 6/2002  
 AU 3902270 A4 5/2003  
 AU 2349175 AA 6/2003  
 CA 2432300 AA 6/2002  
 CA 2467112 AA 6/2003  
 DE 298 23 351 U1 6/1999  
 EP 0029721 6/1981  
 EP 461124 B1 5/1995  
 EP 784870 4/1996  
 EP 657948 A3 6/1997  
 EP 1 030 376 A1 8/2000  
 EP 1174342 A1 1/2002  
 EP 1261039 A1 11/2002  
 EP 1131586 B1 3/2003  
 EP 1342259 A1 9/2003  
 EP 1112597 B1 3/2004  
 EP 1 427 025 A2 6/2004  
 EP 1461834 A1 9/2004  
 EP 1 630 875 A2 3/2006  
 EP 1 732 141 A1 12/2006  
 JP 09018031 1/1997  
 JP 10104547 A2 4/1998  
 WO WO 9118420 A1 11/1991  
 WO WO 9406046 A1 3/1994  
 WO WO 9506330 A1 3/1995  
 WO WO 9533220 A1 12/1995  
 WO WO 9623115 A1 8/1996  
 WO WO 9624954 A1 8/1996  
 WO WO 9803823 A1 1/1998  
 WO WO 9832164 A1 7/1998  
 WO WO 9905462 A1 2/1999  
 WO WO 0074147 A1 12/2000  
 WO WO 0079593 A1 12/2000  
 WO WO 0151962 A2 7/2001  
 WO WO 1554650 A3 8/2001  
 WO WO 0190661 A3 11/2001  
 WO WO 0208058 A1 1/2002  
 WO WO 0245143 A1 6/2002  
 WO WO 02075225 A2 9/2002  
 WO WO 0155650 C2 10/2002



# US D588,534 S

Page 3

---

WO WO 02095838 A1 11/2002  
WO WO 03019083 A1 3/2003  
WO WO 03022578 A1 3/2003  
WO WO 03047004 A1 6/2003  
WO WO 03049201 A1 6/2003  
WO WO 03107078 A2 12/2003  
WO WO 2004100252 A1 11/2004  
WO WO 2006/123194 A1 11/2006

WO WO 2006/128417 A1 12/2006  
WO WO 2007/036199 A2 4/2007

## OTHER PUBLICATIONS

Solar Electricity Beginner Notes, [http://www.sunwindsolar.com/a\\_lessons/solar\\_beginner\\_notes.html](http://www.sunwindsolar.com/a_lessons/solar_beginner_notes.html); Jan. 8, 2004; pp. 1-2.

\* cited by examiner

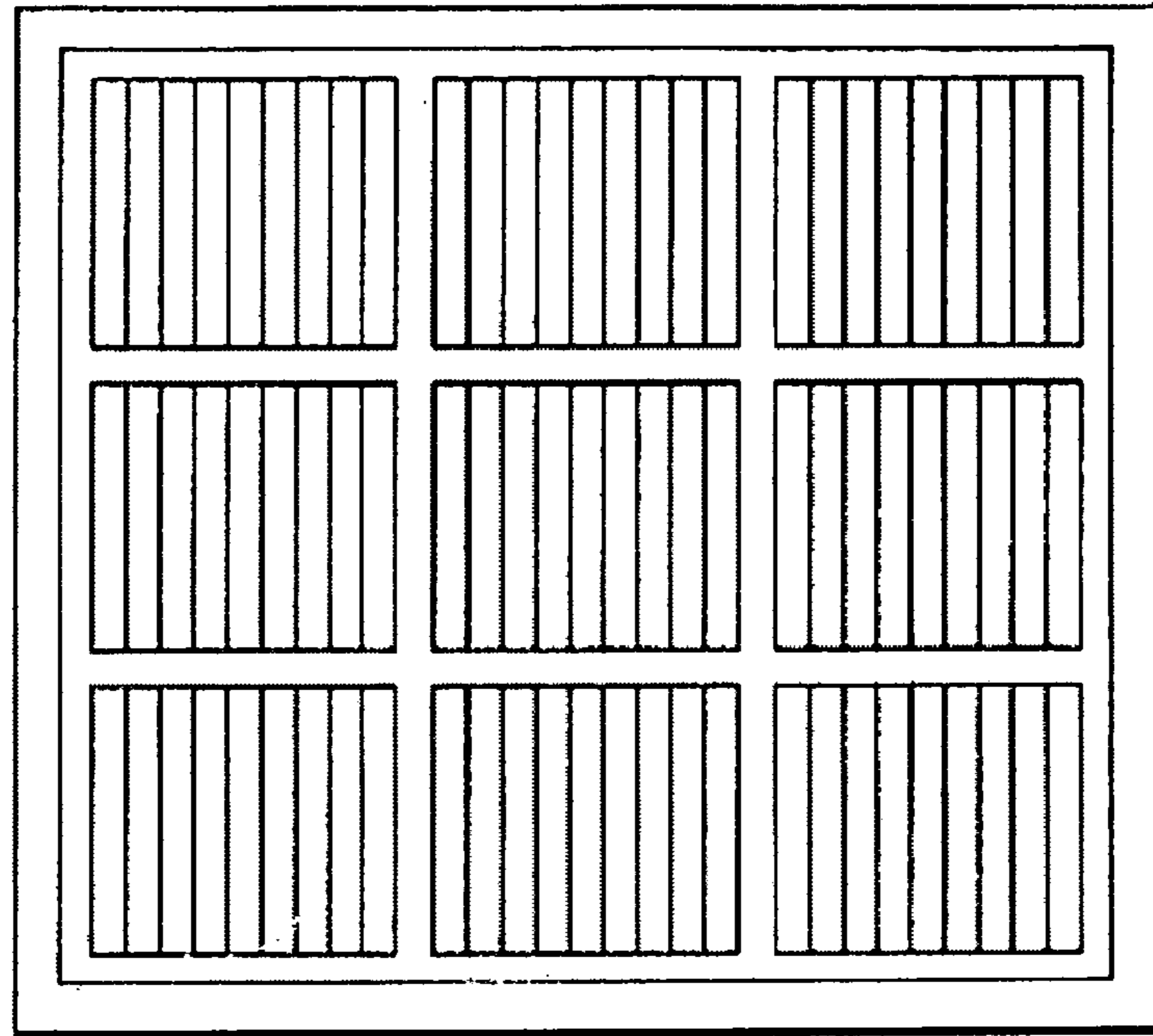


FIG. 1

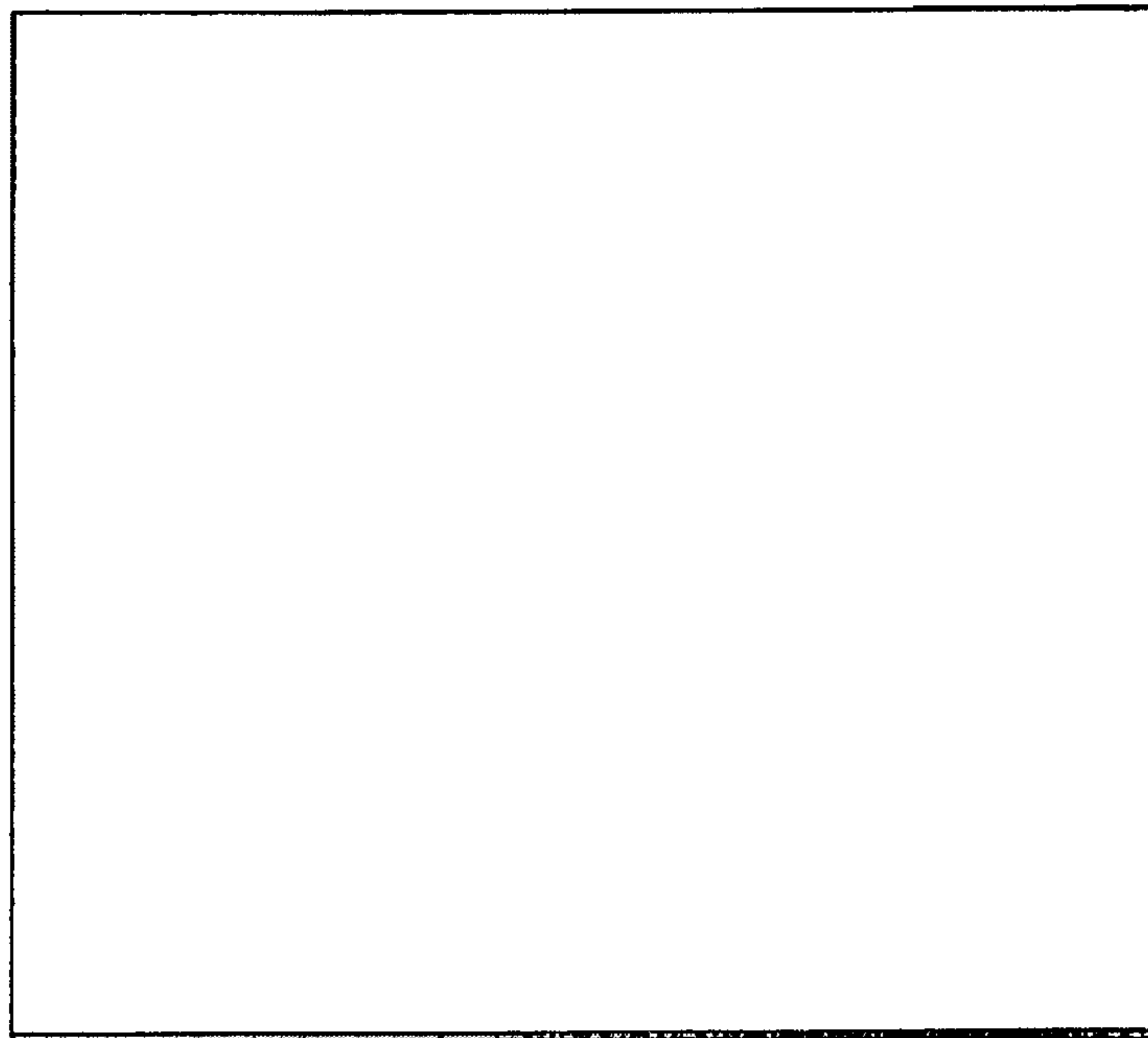


FIG. 2

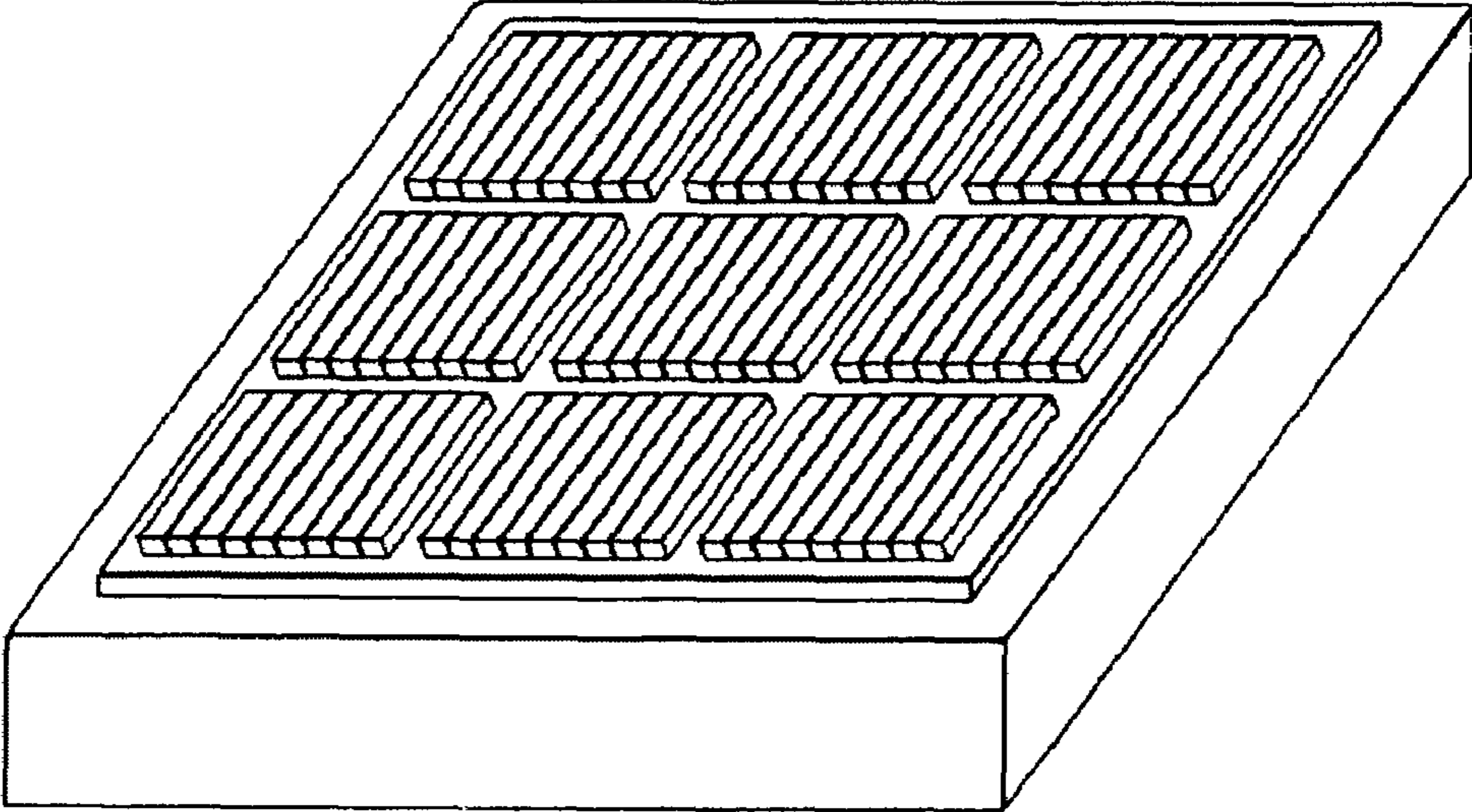


FIG. 3