



US00D588533S

(12) **United States Design Patent**
Shondel

(10) **Patent No.:** **US D588,533 S**
(45) **Date of Patent:** **** Mar. 17, 2009**

(54) **TIRE SIDEWALL**

(75) Inventor: **Jonathan James Shondel**, Massillon,
OH (US)

(73) Assignee: **The Goodyear Tire & Rubber**
Company, Akron, OH (US)

(**) Term: **14 Years**

(21) Appl. No.: **29/326,139**

(22) Filed: **Oct. 13, 2008**

(51) **LOC (9) Cl.** **12-15**

(52) **U.S. Cl.** **D12/605**

(58) **Field of Classification Search** D12/500-501,
D12/503, 600, 604-605; 152/DIG. 12, 523-524,
152/555

See application file for complete search history.

(56) **References Cited**

U.S. PATENT DOCUMENTS

D222,215 S *	10/1971	Munoz	D12/605
D265,813 S *	8/1982	Sladky	D12/605
D492,648 S	7/2004	Maxwell et al.	D12/605
D500,013 S	12/2004	Maxwell et al.	D12/605
D503,146 S	3/2005	Maxwell et al.	D12/605
D504,867 S *	5/2005	Maxwell et al.	D12/605
D506,435 S	6/2005	Maxwell et al.	D12/605
D517,003 S	3/2006	Shondel	D12/605

D539,729 S	4/2007	Maxwell	D12/605
D540,740 S	4/2007	Maxwell et al.	D12/605
D541,211 S	4/2007	Shondel et al.	D12/605
D543,933 S	6/2007	Shondel	D12/605
D550,149 S	9/2007	Shondel	D12/605
D550,150 S	9/2007	Shondel	D12/605
D552,537 S	10/2007	Franks et al.	D12/605
D553,075 S *	10/2007	Miyazaki et al.	D12/605
D568,806 S *	5/2008	Dixon et al.	D12/605

* cited by examiner

Primary Examiner—Stacia Cadmus

(74) *Attorney, Agent, or Firm*—Richard B. O’Planick

(57) **CLAIM**

The ornamental design for a tire sidewall, as shown and described.

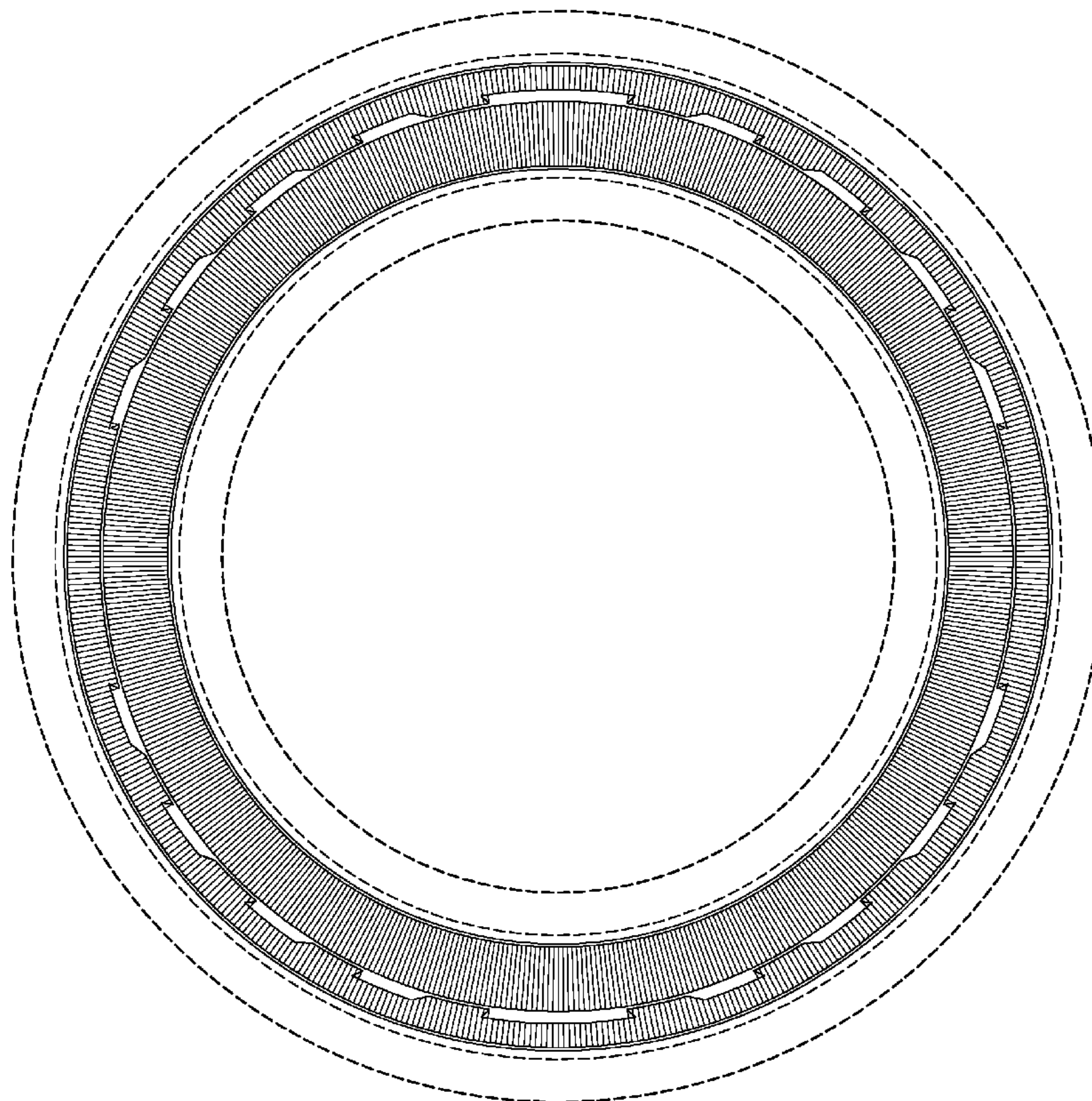
DESCRIPTION

FIG. 1 is a front elevational view of a tire sidewall showing my new design; and,

FIG. 2 is a front elevational view of a second embodiment thereof showing the disclaimed portions of FIG. 1 in solid lines.

In the drawings, the broken lines showing of the tire tread, inner bead and the peripheral boundary between the tire tread and the sidewall in FIG. 1 depict environmental subject matter and form no part of the claim.

1 Claim, 2 Drawing Sheets



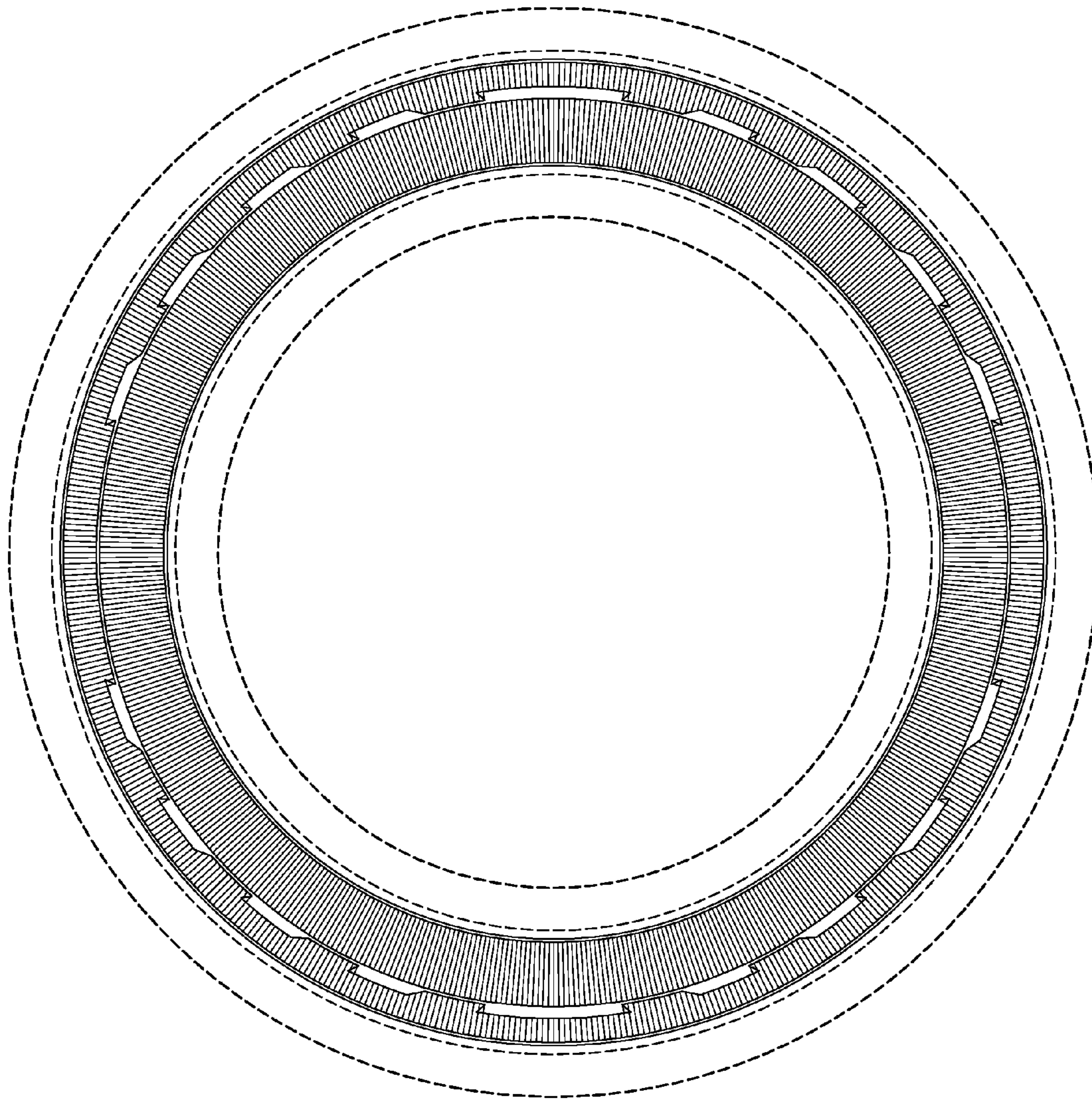


FIG-1

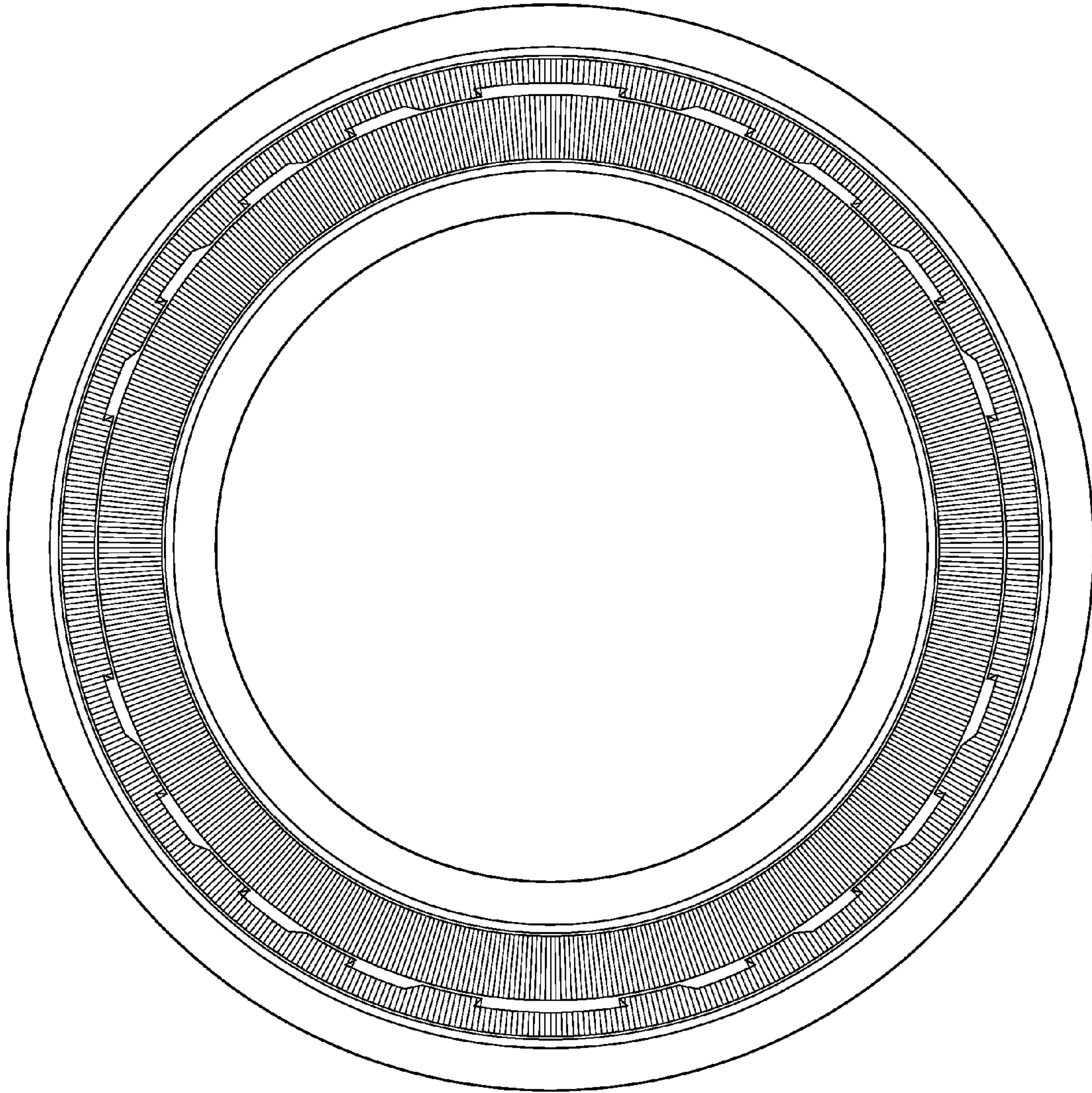


FIG-2