



US00D588527S

(12) **United States Design Patent**
Sato

(10) **Patent No.:** **US D588,527 S**
(45) **Date of Patent:** **** Mar. 17, 2009**

(54) **AUTOMOBILE TIRE**

(75) Inventor: **Yoshiki Sato**, Osaka (JP)

(73) Assignee: **Toyo Tire & Rubber Co., Ltd.**, Osaka (JP)

(**) Term: **14 Years**

(21) Appl. No.: **29/300,290**

(22) Filed: **Mar. 10, 2008**

(30) **Foreign Application Priority Data**

Nov. 29, 2007 (JP) 2007-035253

(51) **LOC (9) Cl.** **12-15**

(52) **U.S. Cl.** **D12/552; D12/551**

(58) **Field of Classification Search** D12/533,
D12/551-567, 900-901; 152/209.1, 209.8-209.18,
152/209.25-209.28, 455

See application file for complete search history.

(56) **References Cited**

U.S. PATENT DOCUMENTS

D427,953 S *	7/2000	Murata	D12/552
D512,958 S *	12/2005	Allison et al.	D12/552
D514,059 S *	1/2006	Dixon	D12/552
D549,158 S *	8/2007	Heinen et al.	D12/552

FOREIGN PATENT DOCUMENTS

JP 1131372 S 11/2001

* cited by examiner

Primary Examiner—Stacia Cadmus

(74) *Attorney, Agent, or Firm*—Westerman, Hattori, Daniels & Adrian, LLP.

(57) **CLAIM**

The ornamental design for an automobile tire, as shown and described.

DESCRIPTION

FIG. 1 is a front view of an automobile tire;

FIG. 2 is a rear view of the automobile tire;

FIG. 3 is a left-side view of the automobile tire;

FIG. 4 is a right-side view of the automobile tire;

FIG. 5 is a perspective view of the automobile tire;

FIG. 6 is a reference front view, a part of its tread painted black;

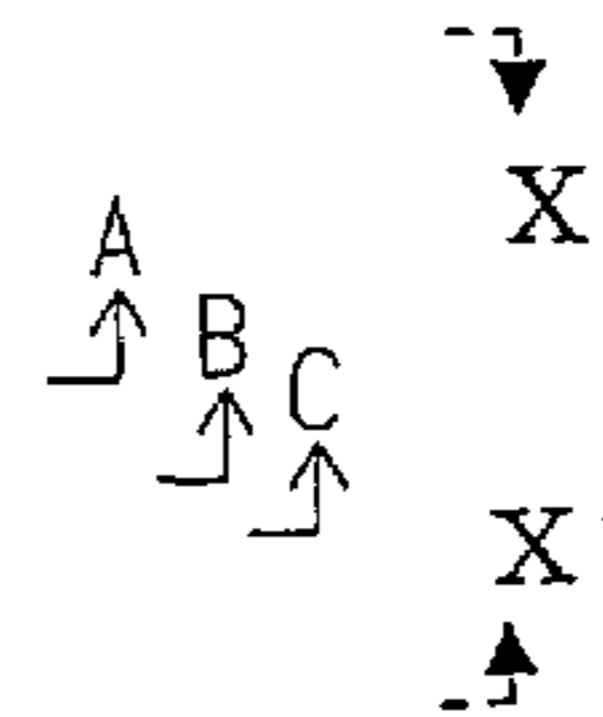
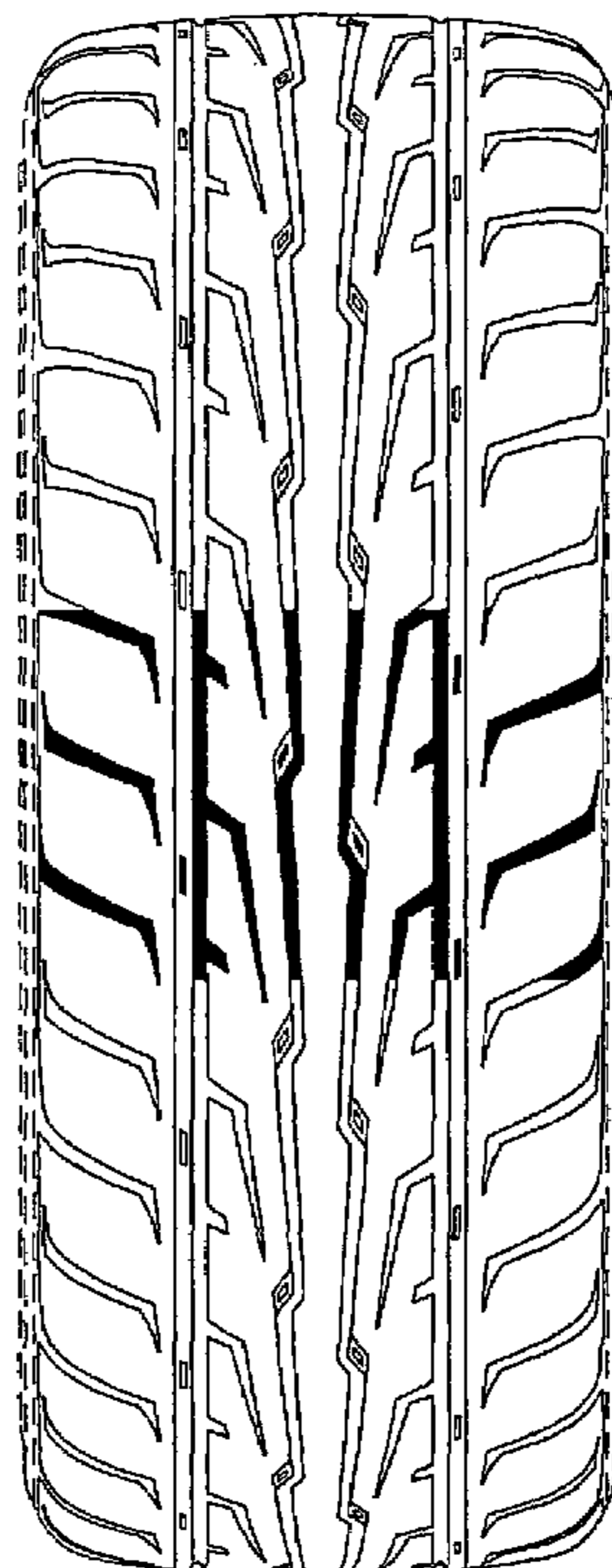
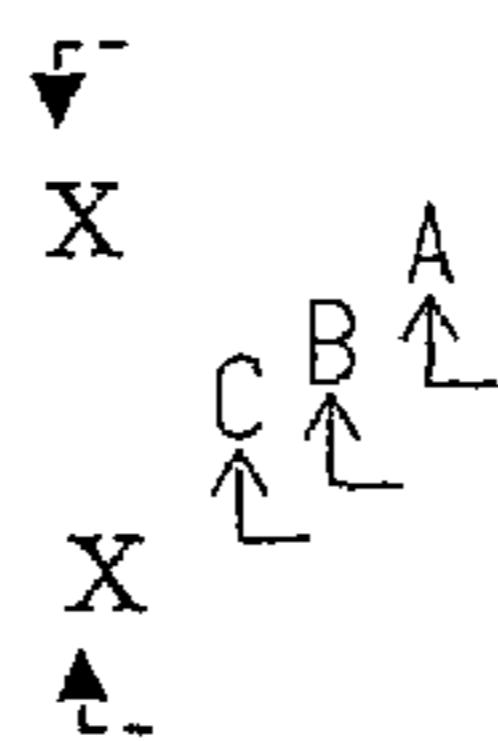
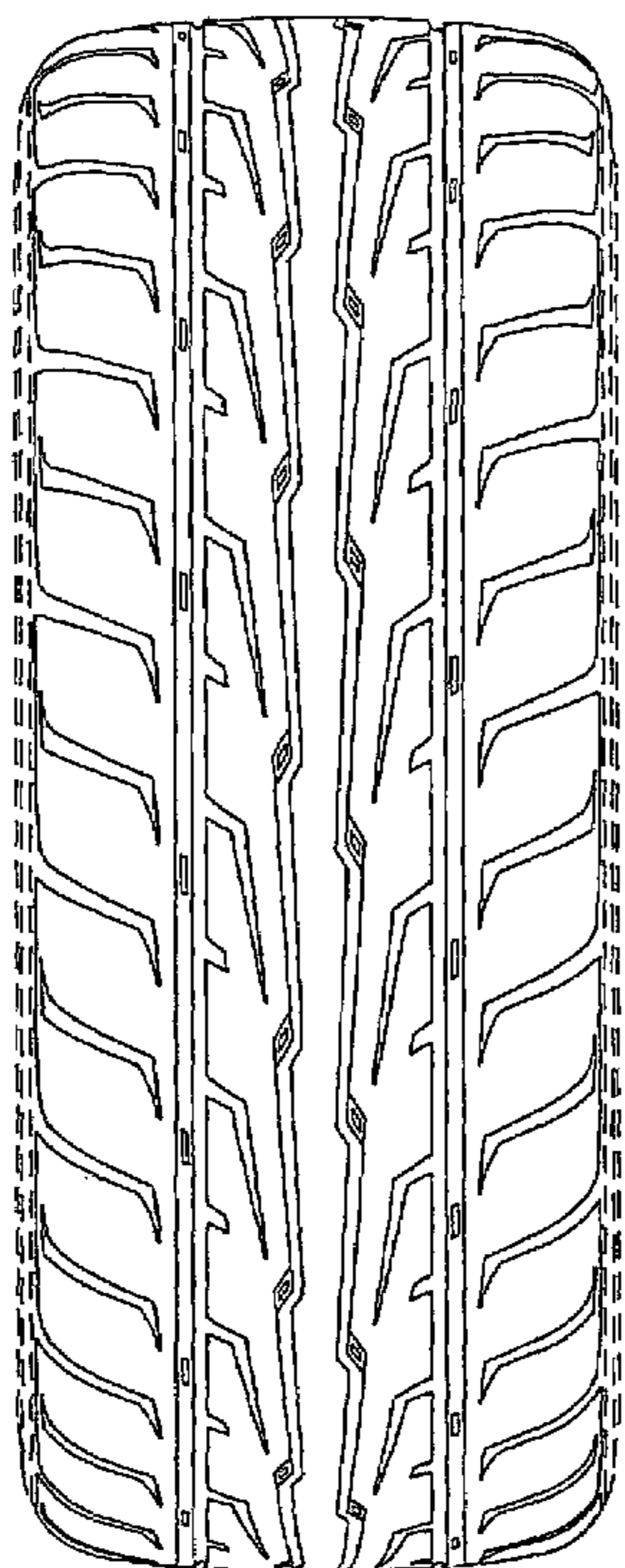
FIG. 7 is an enlarged cross-section view taken along the line A—A within the area of X—X' in FIG. 6;

FIG. 8 is an enlarged cross-section view taken along the line B—B within the area of X—X' in FIG. 6; and,

FIG. 9 is an enlarge cross-section view taken along the line C—C within the area of X—X' in FIG. 6.

In the drawings, the broken lines defining the sidewall, inner bead and the peripheral boundary between the claimed tire tread and the unclaimed sidewall depict environmental subject matter that forms no part of the claimed design.

1 Claim, 9 Drawing Sheets



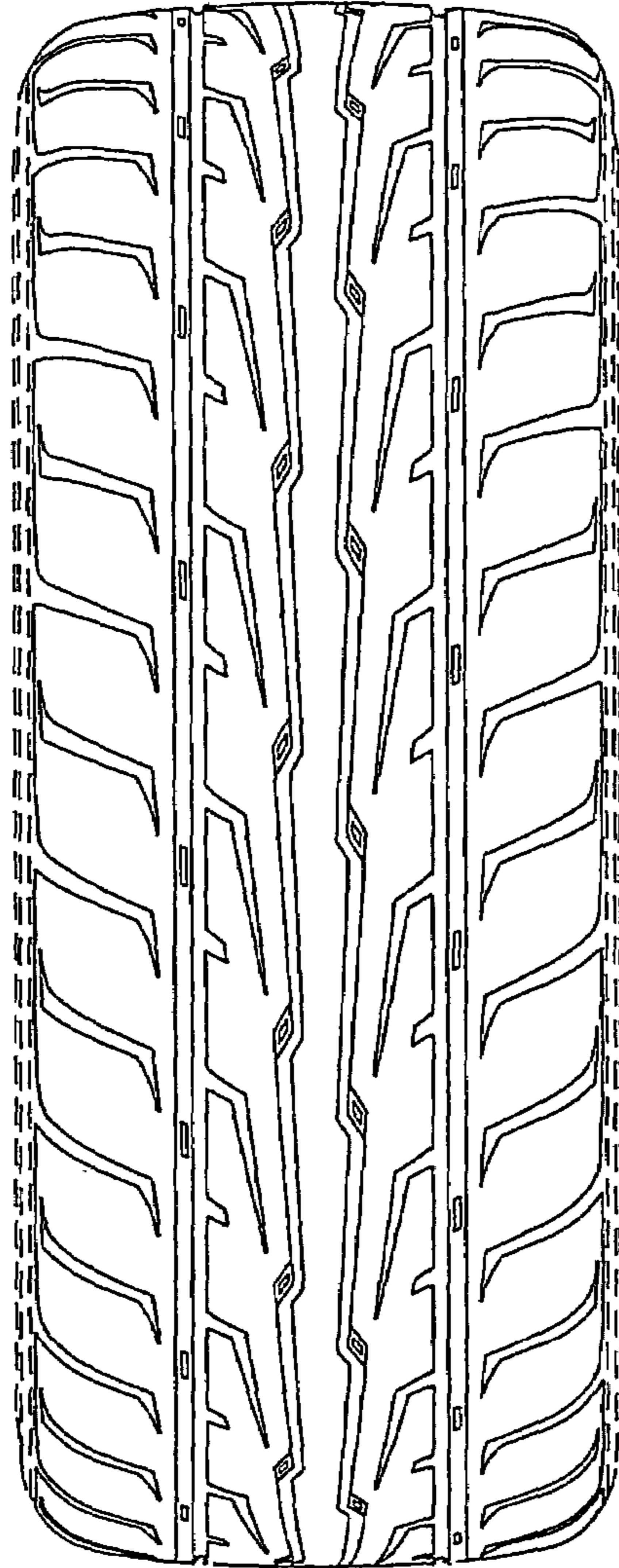


FIG. 1

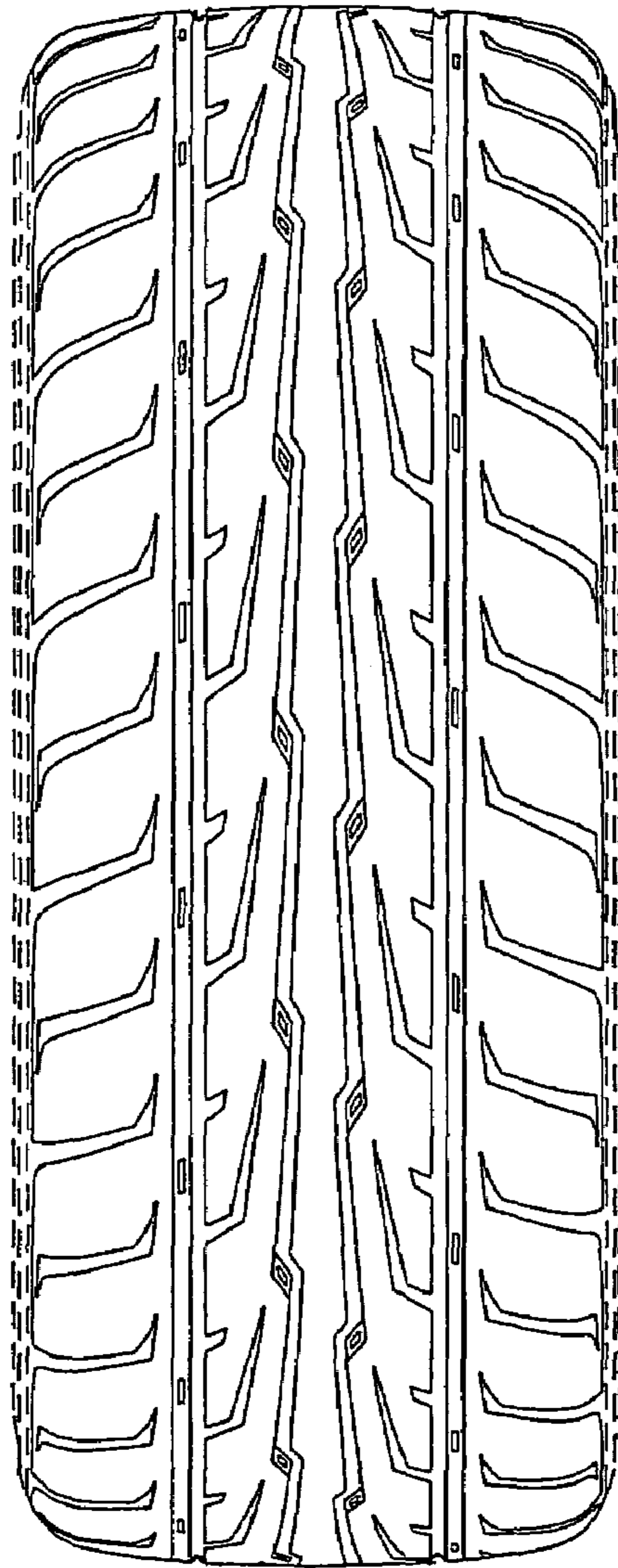


FIG.2

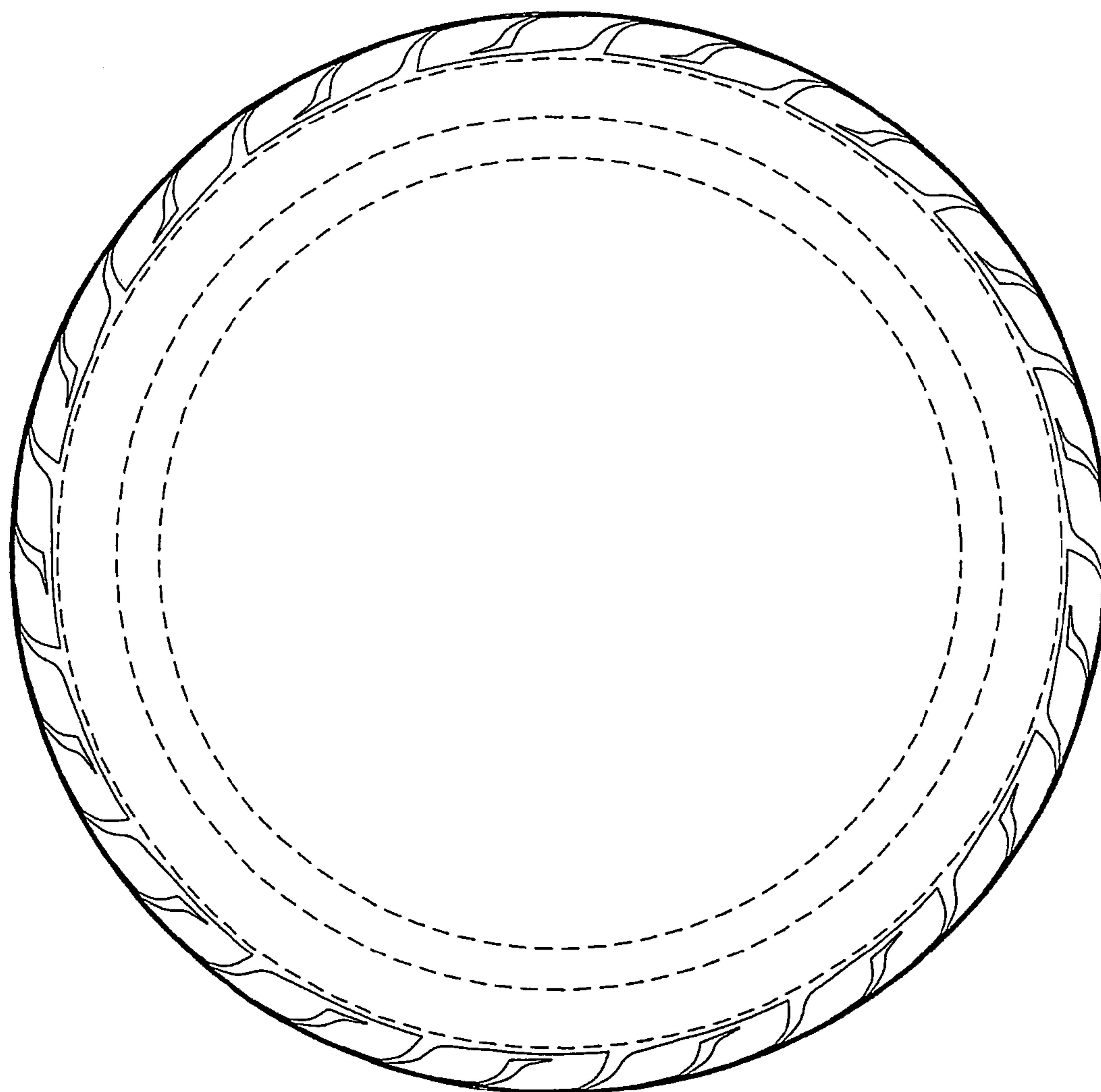


FIG.3

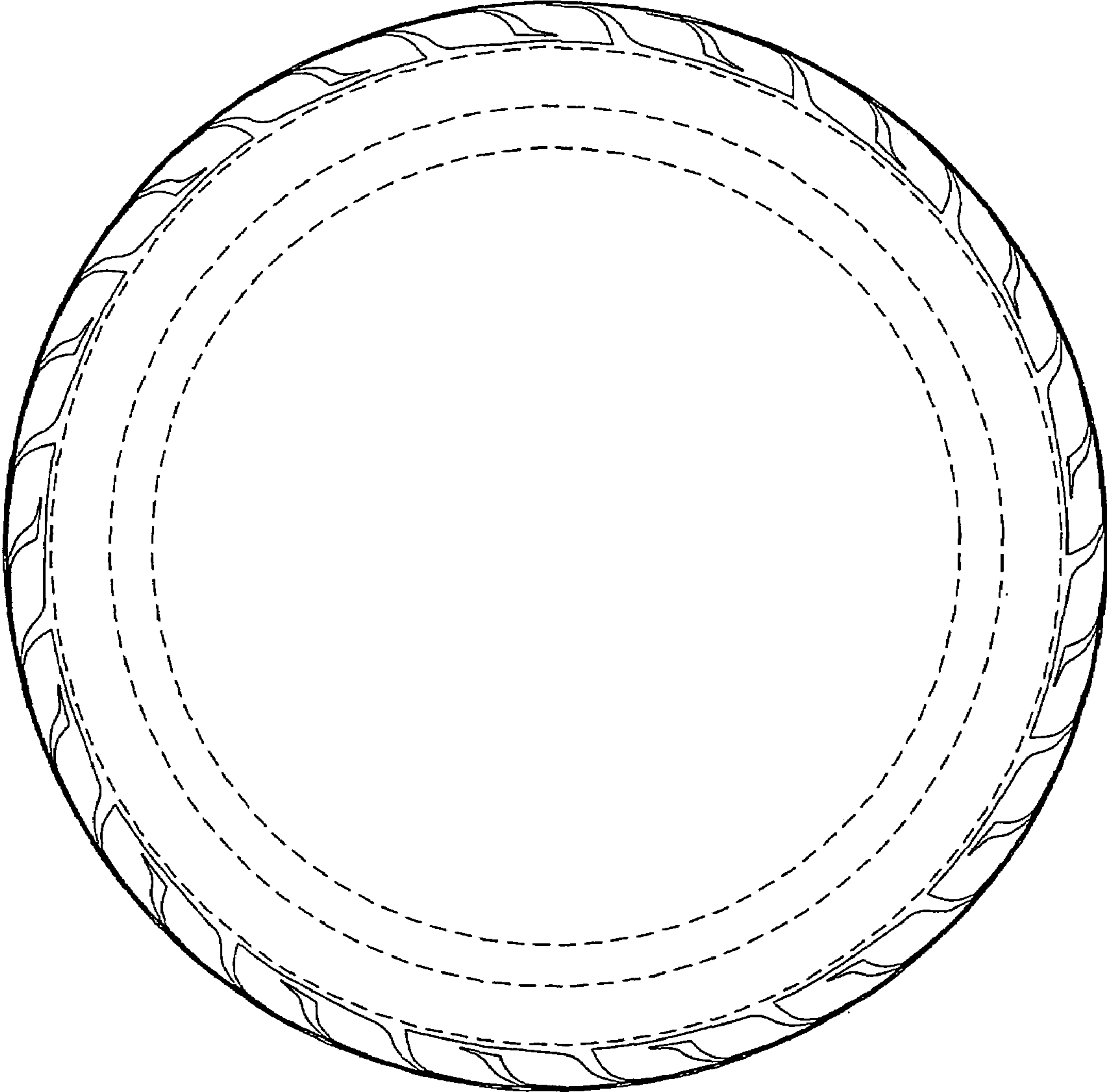


FIG.4

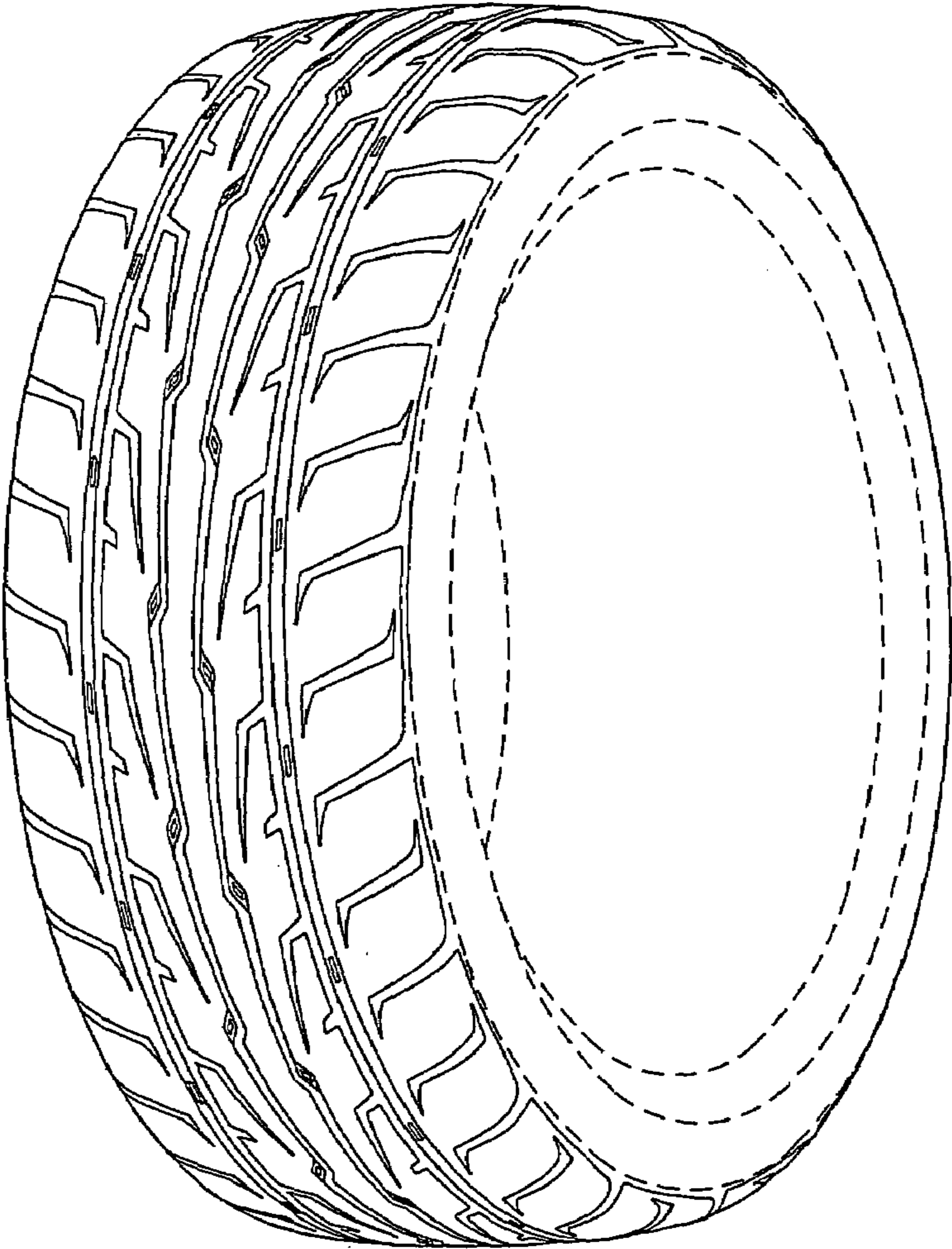


FIG. 5

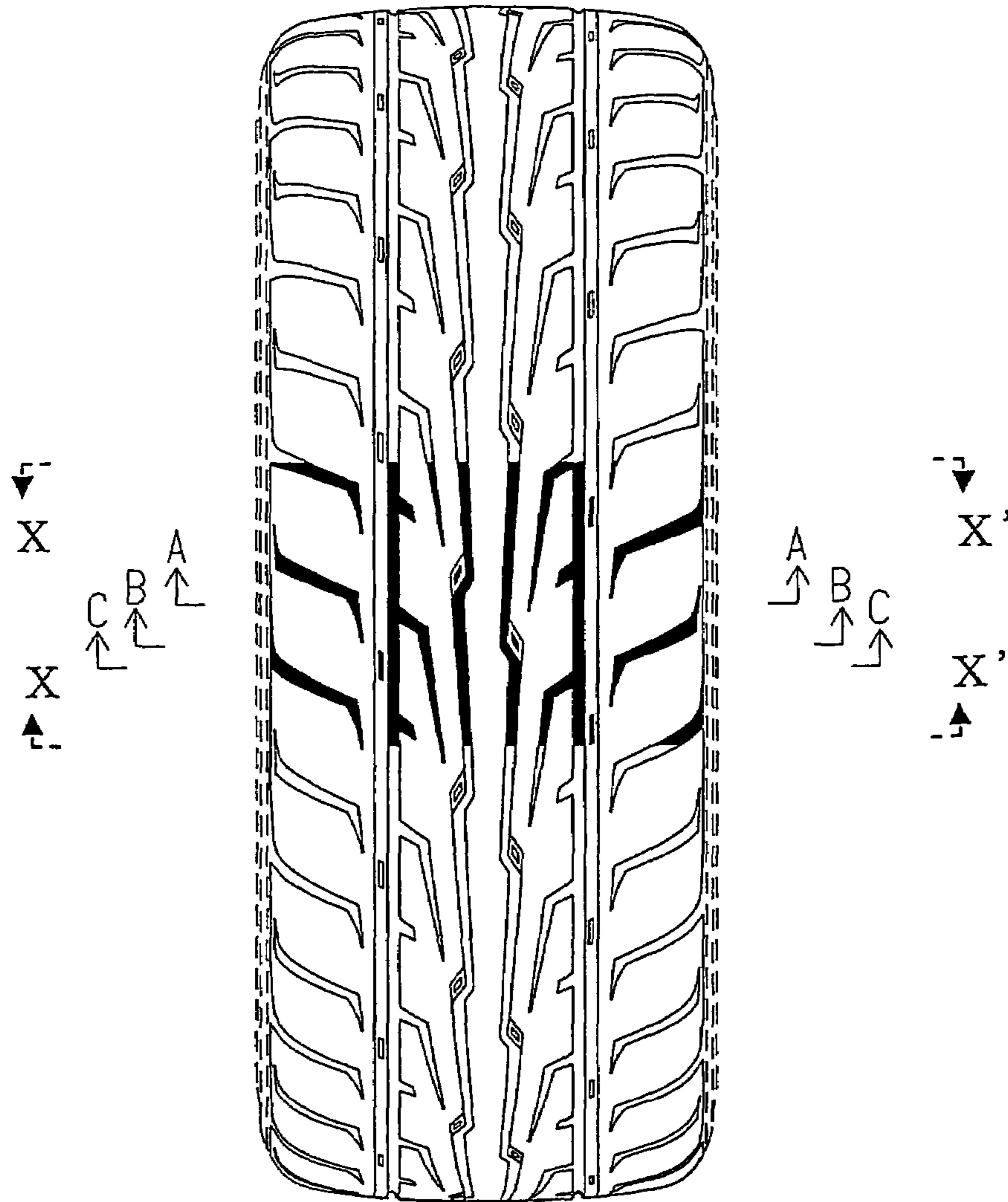


FIG. 6

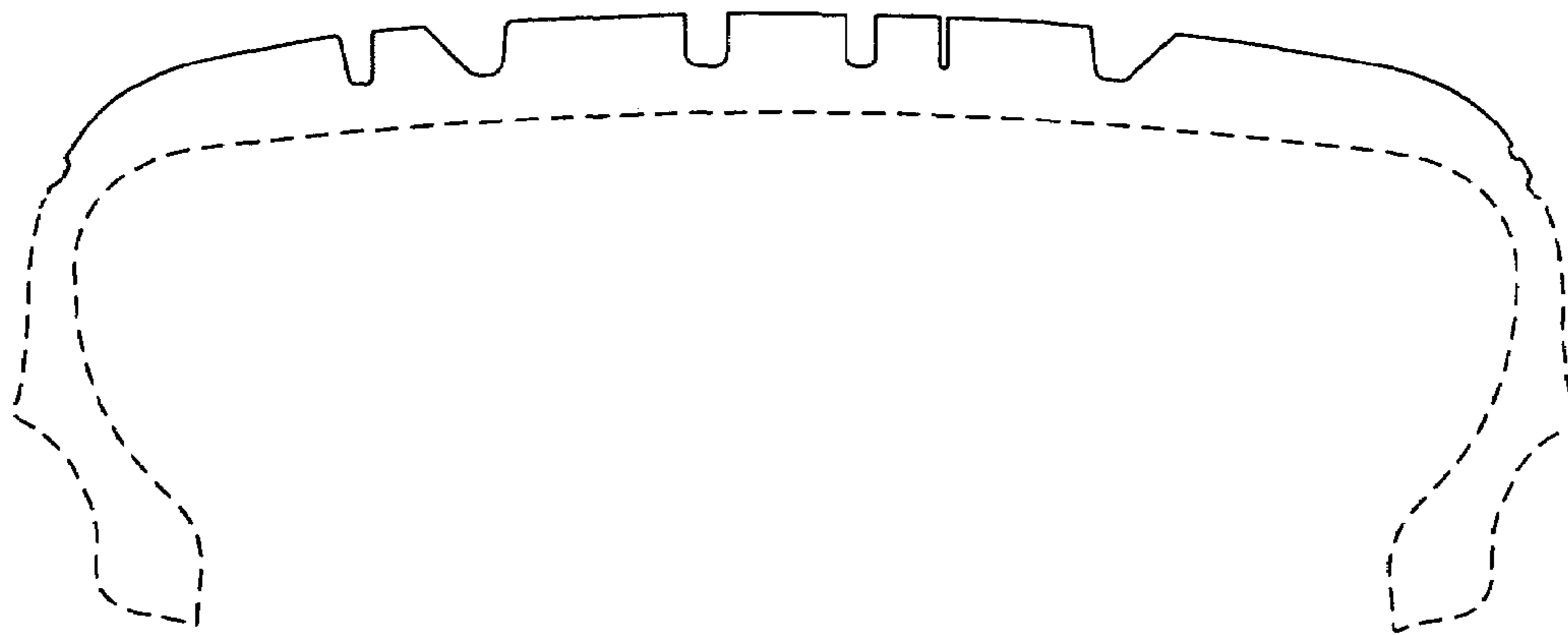


FIG. 7

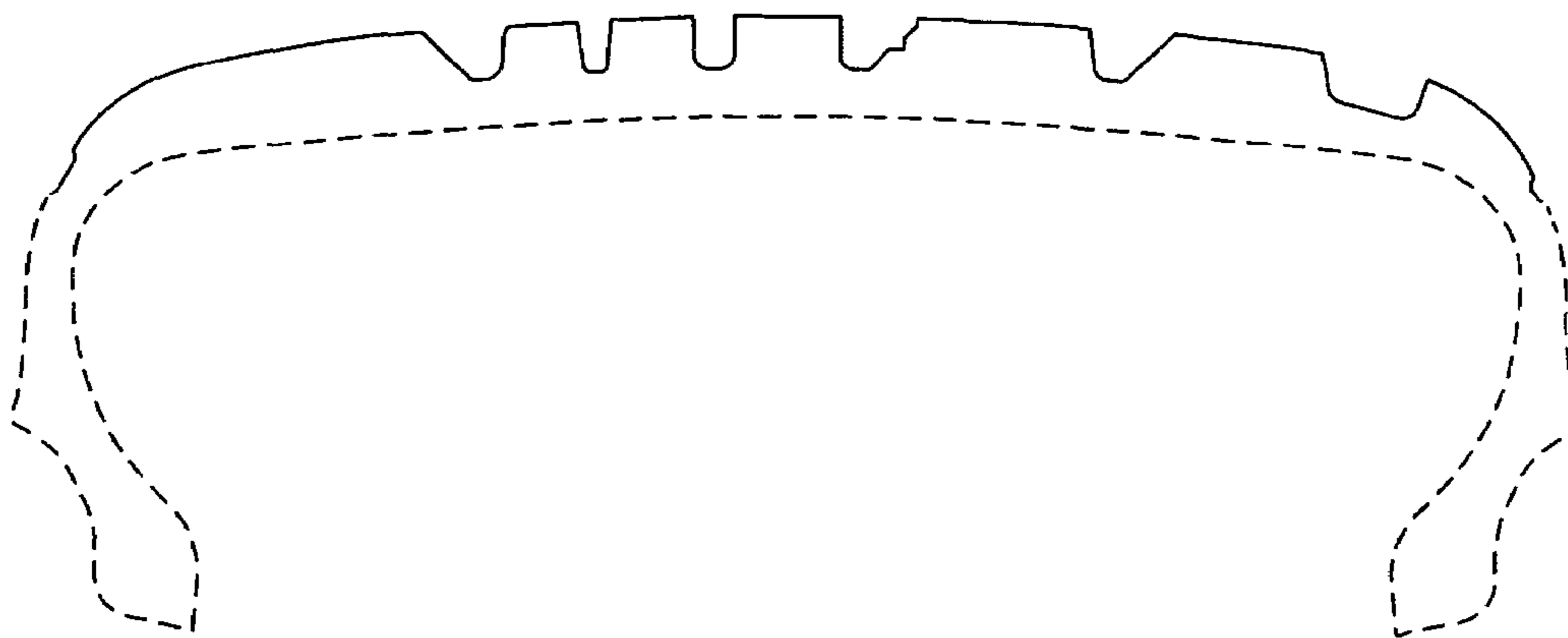


FIG. 8

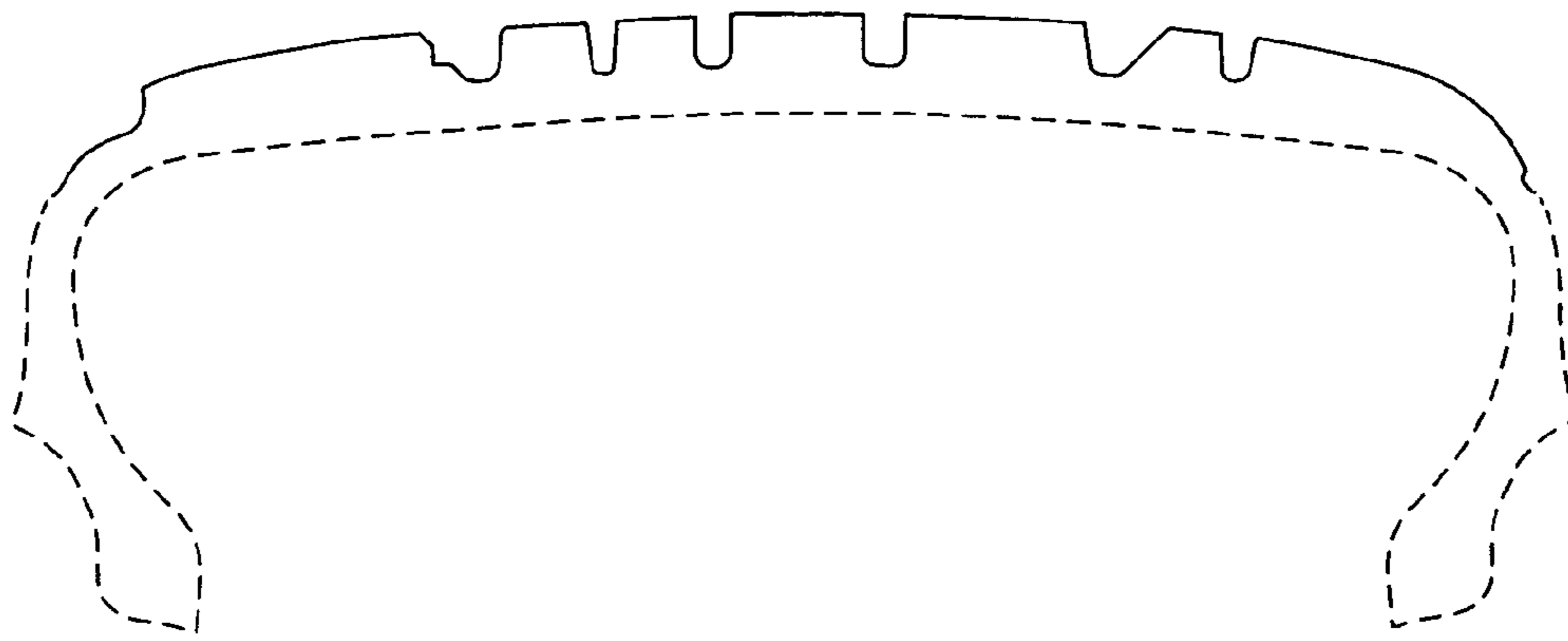


FIG. 9