



US00D588518S

(12) **United States Design Patent**
Berman et al.

(10) **Patent No.:** **US D588,518 S**
(45) **Date of Patent:** **** Mar. 17, 2009**

(54) **VESSEL**

(75) Inventors: **Todd R. Berman**, Killingworth, CT (US); **James H. Melvin**, Huntington Beach, CA (US); **Warren George Muir**, Orange, CA (US)

(73) Assignee: **New Yankee Marine Services, LLC**, Killingworth, CT (US)

(**) Term: **14 Years**

(21) Appl. No.: **29/299,279**

(22) Filed: **Dec. 21, 2007**

(51) **LOC (9) Cl.** **12-06**

(52) **U.S. Cl.** **D12/304**

(58) **Field of Classification Search** D12/300,
D12/303, 304, 315, 318; 114/39.11, 39.14,
114/39.15, 39.21, 39.25, 343, 355; D21/544
See application file for complete search history.

(56) **References Cited**

U.S. PATENT DOCUMENTS

D219,315 S *	11/1970	Mull	D12/303
D239,375 S *	3/1976	Henry	D12/303
D241,326 S *	9/1976	Crealock	D12/303
D241,826 S *	10/1976	Crealock	D12/303
D243,446 S *	2/1977	Livingston	D12/303
D277,472 S *	2/1985	Alter	D12/303
4,723,498 A *	2/1988	Stampe	D12/303
4,799,443 A *	1/1989	Vogel	114/39.29
D304,922 S *	12/1989	Kirby	D12/303

D305,751 S *	1/1990	Roberson	D12/304
D315,137 S *	3/1991	Runte	D12/303
D514,499 S *	2/2006	Valdes	D12/303

* cited by examiner

Primary Examiner—Holly H. Baynham

Assistant Examiner—Cynthia M Chin

(74) *Attorney, Agent, or Firm*—McCormick, Paulding & Huber LLP

(57) **CLAIM**

The ornamental design for a vessel, as shown and described.

DESCRIPTION

FIG. 1 is a left-hand side view of a vessel comprising a new, original and ornamental design, the right-hand side view being a mirror image thereof, the portions shown in broken lines forming no part of the design;

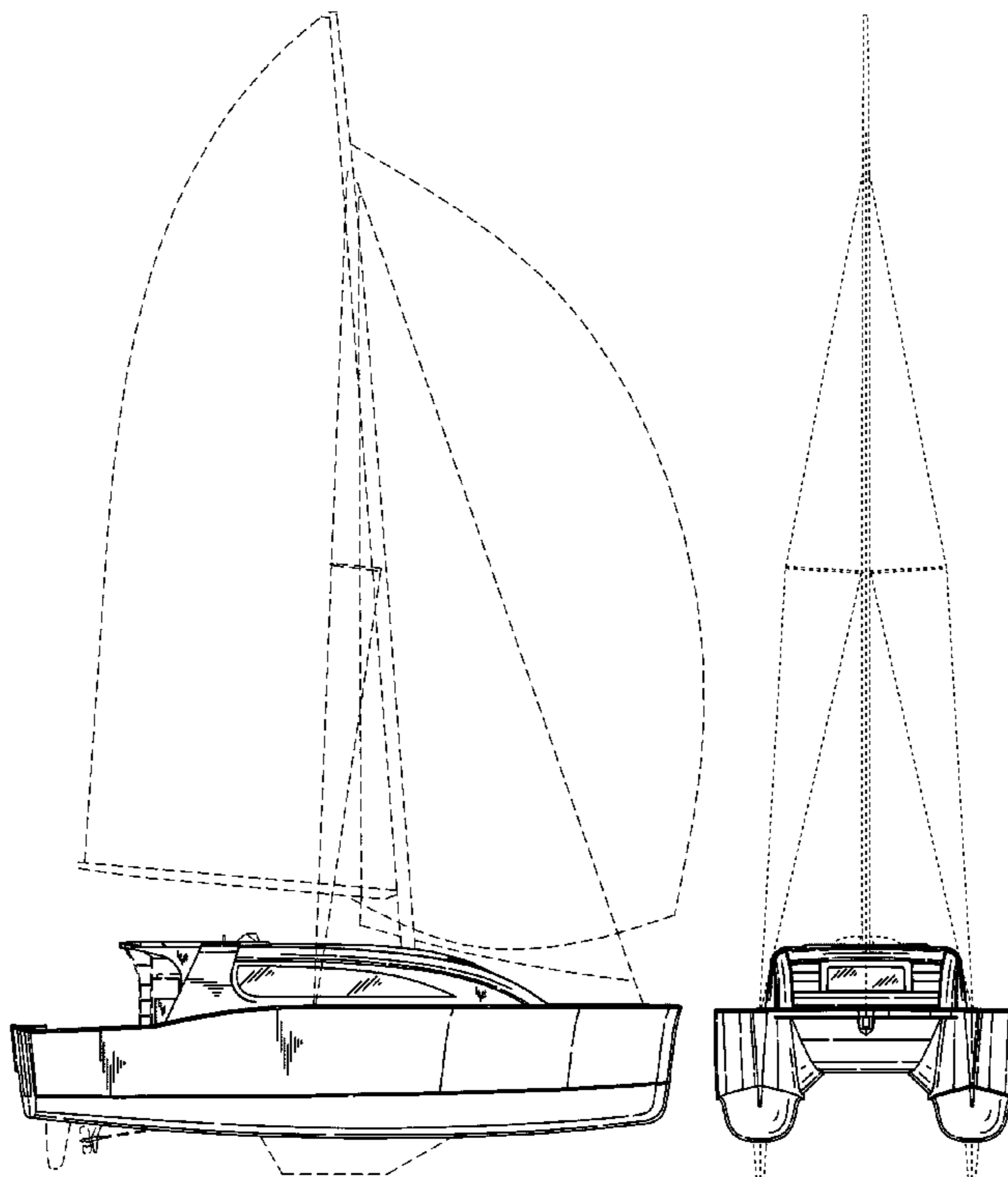
FIG. 2 is a front view of a vessel comprising the new, original and ornamental design, the portions shown in broken lines forming no part of the design;

FIG. 3 is a rear view of a vessel comprising the new, original and ornamental design, the portions shown in broken lines forming no part of the design;

FIG. 4 is a top view of a vessel comprising the new, original and ornamental design, the portions shown in broken lines forming no part of the design; and,

FIG. 5 is a bottom view of a vessel comprising the new, original and ornamental design, the portions shown in broken lines forming no part of the design.

1 Claim, 3 Drawing Sheets



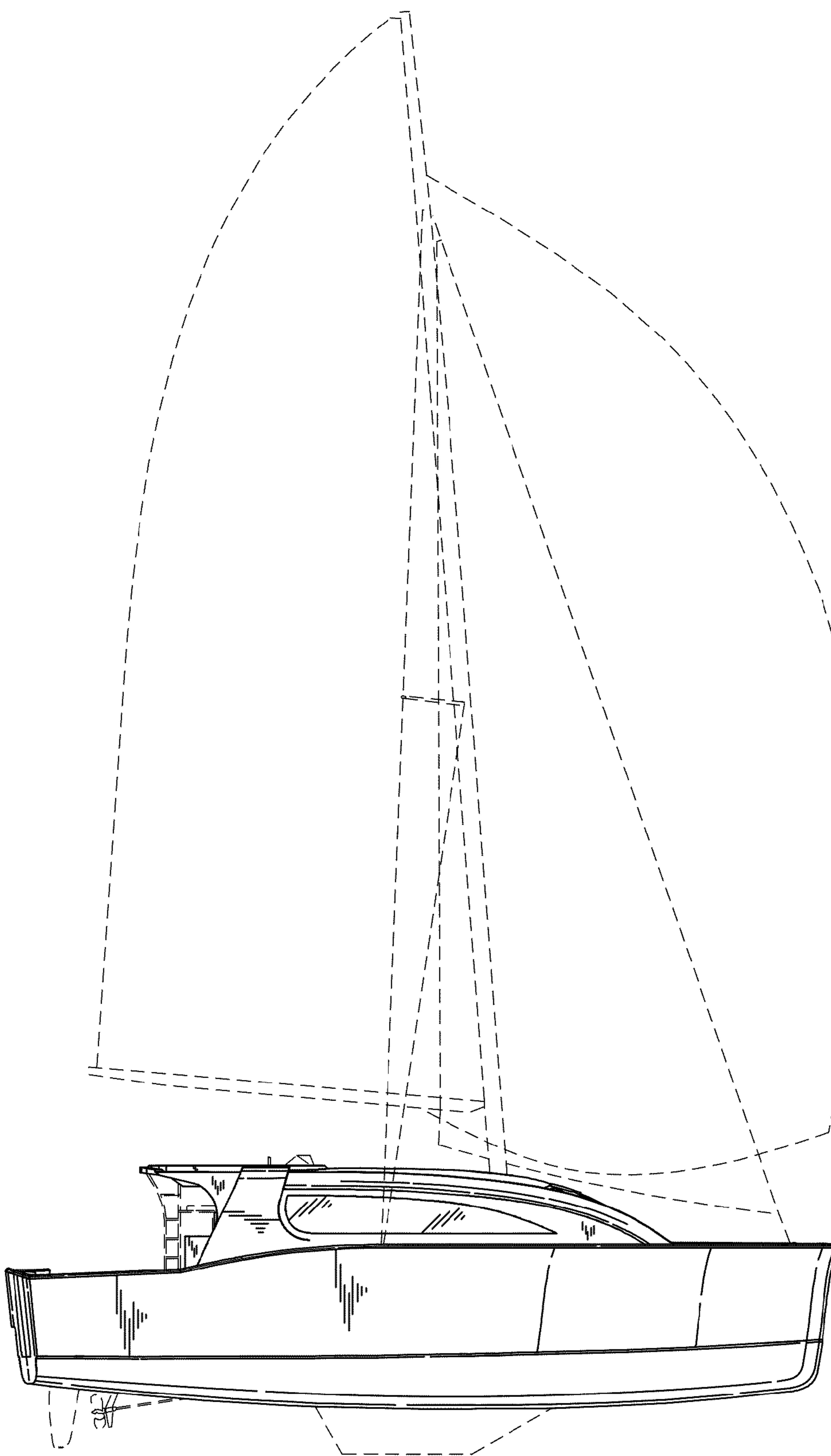


FIG. 1

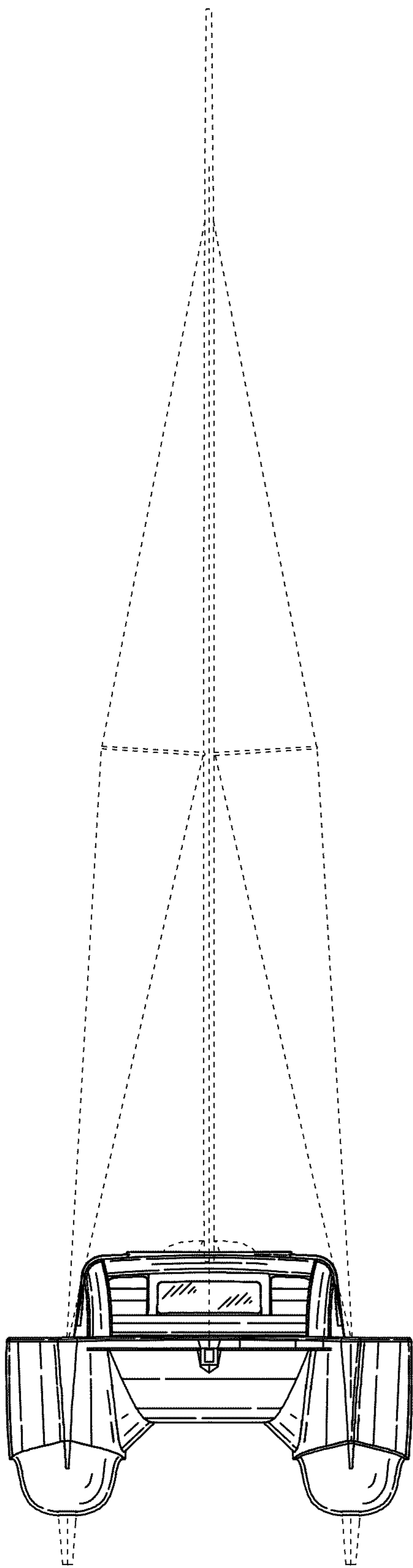


FIG. 2

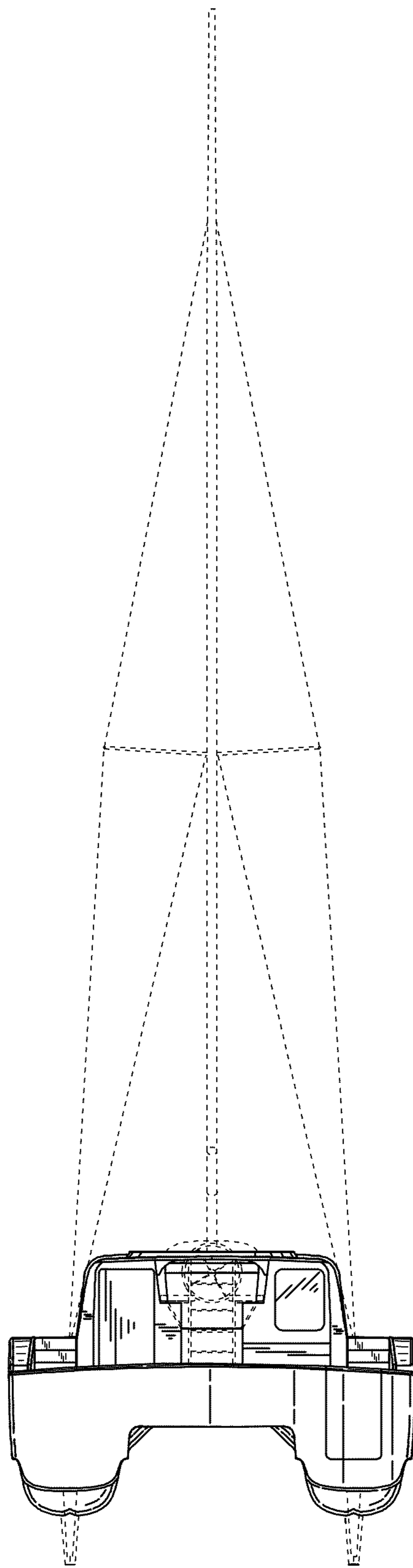


FIG. 3

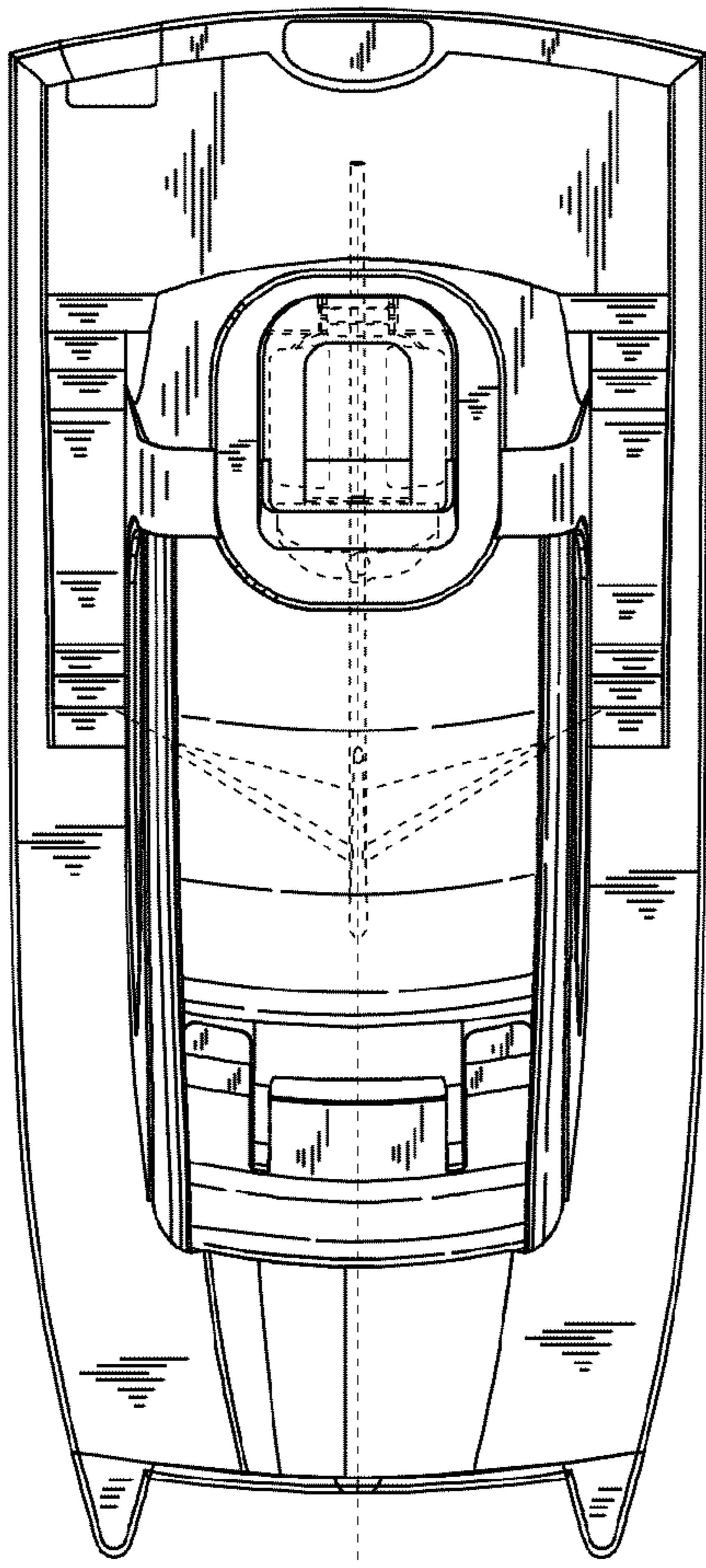


FIG. 4

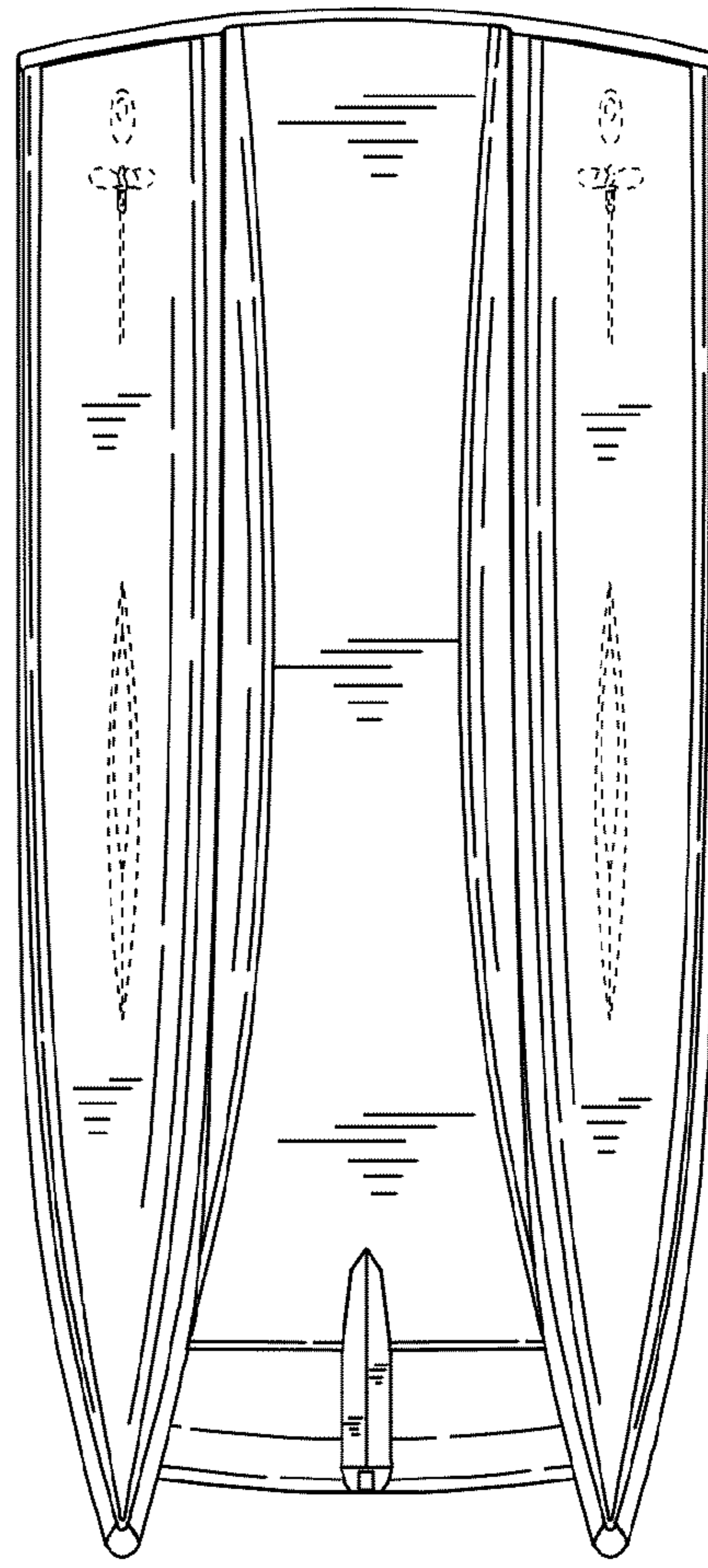


FIG. 5