



US00D588517S

(12) **United States Design Patent**
Aroney

(10) **Patent No.:** **US D588,517 S**
(45) **Date of Patent:** **** Mar. 17, 2009**

(54) **WHEEL**

(75) Inventor: **Michael Aroney**, New Buffalo, MI (US)

(73) Assignee: **Wheel Pros, LLC**, Lakewood, CO (US)

(**) Term: **14 Years**

(21) Appl. No.: **29/317,100**

(22) Filed: **Apr. 23, 2008**

(51) **LOC (9) Cl.** **12-16**

(52) **U.S. Cl.** **D12/211**

(58) **Field of Classification Search** D12/204–213;
301/37.101, 64.101, 65, 64.201

See application file for complete search history.

(56) **References Cited**

U.S. PATENT DOCUMENTS

D379,612 S *	6/1997	Honarkhah	D12/209
D431,514 S *	10/2000	Cullen	D12/209
D445,083 S *	7/2001	Chung	D12/211
D461,757 S *	8/2002	Taneoka	D12/211
D486,437 S *	2/2004	Hieke	D12/211
D569,322 S *	5/2008	Scheu	D12/211
D570,274 S *	6/2008	Scheu	D12/211

* cited by examiner

Primary Examiner—Stacia Cadmus

(74) *Attorney, Agent, or Firm*—Garcia-Zamor IP Law; Ruy M. Garcia-Zamor

(57) **CLAIM**

The ornamental design for a wheel, as shown and described.

DESCRIPTION

FIG. 1 is a perspective view of a wheel according to a first preferred embodiment of my new design;

FIG. 2 is a front elevational view of the wheel of FIG. 1;

FIG. 3 is a left side elevational view of the wheel of FIG. 1;

FIG. 4 is a right side elevational view of the wheel of FIG. 1;

FIG. 5 is a top plan view of the wheel of FIG. 1;

FIG. 6 is a bottom plan view of the wheel of FIG. 1;

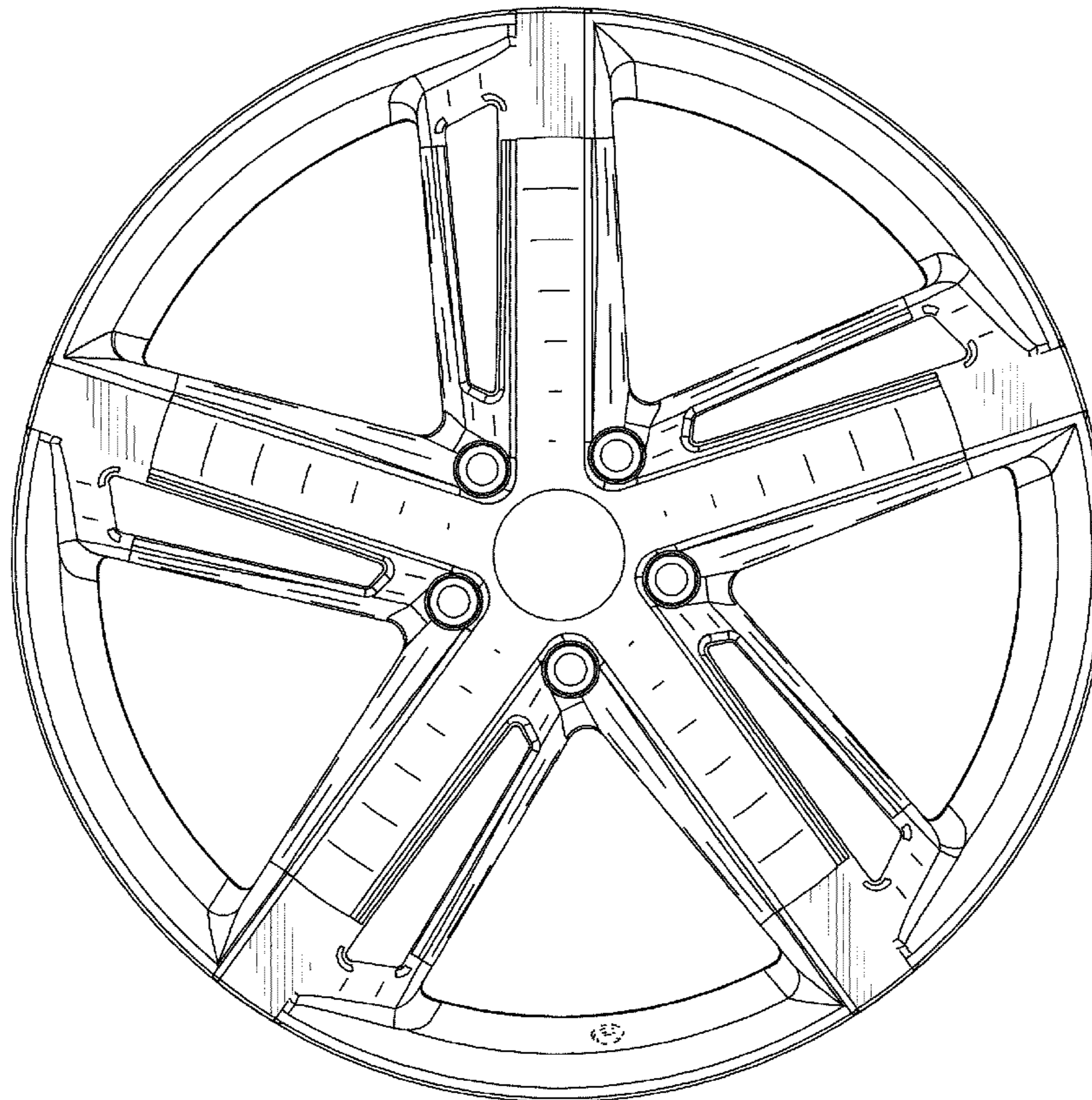
FIG. 7 is a rear elevational view of the wheel of FIG. 1;

FIG. 8 is a perspective view of a wheel according to a second preferred embodiment of my new design; and,

FIG. 9 is a front elevational view of the wheel of FIG. 8; Portions of the wheel not shown in FIGS. 8 and 9 are disclaimed as forming no part of the claimed design.

The broken lines in FIGS. 1–9 represent environment and are for illustrative purposes only and do not constitute part of the claimed design.

1 Claim, 9 Drawing Sheets



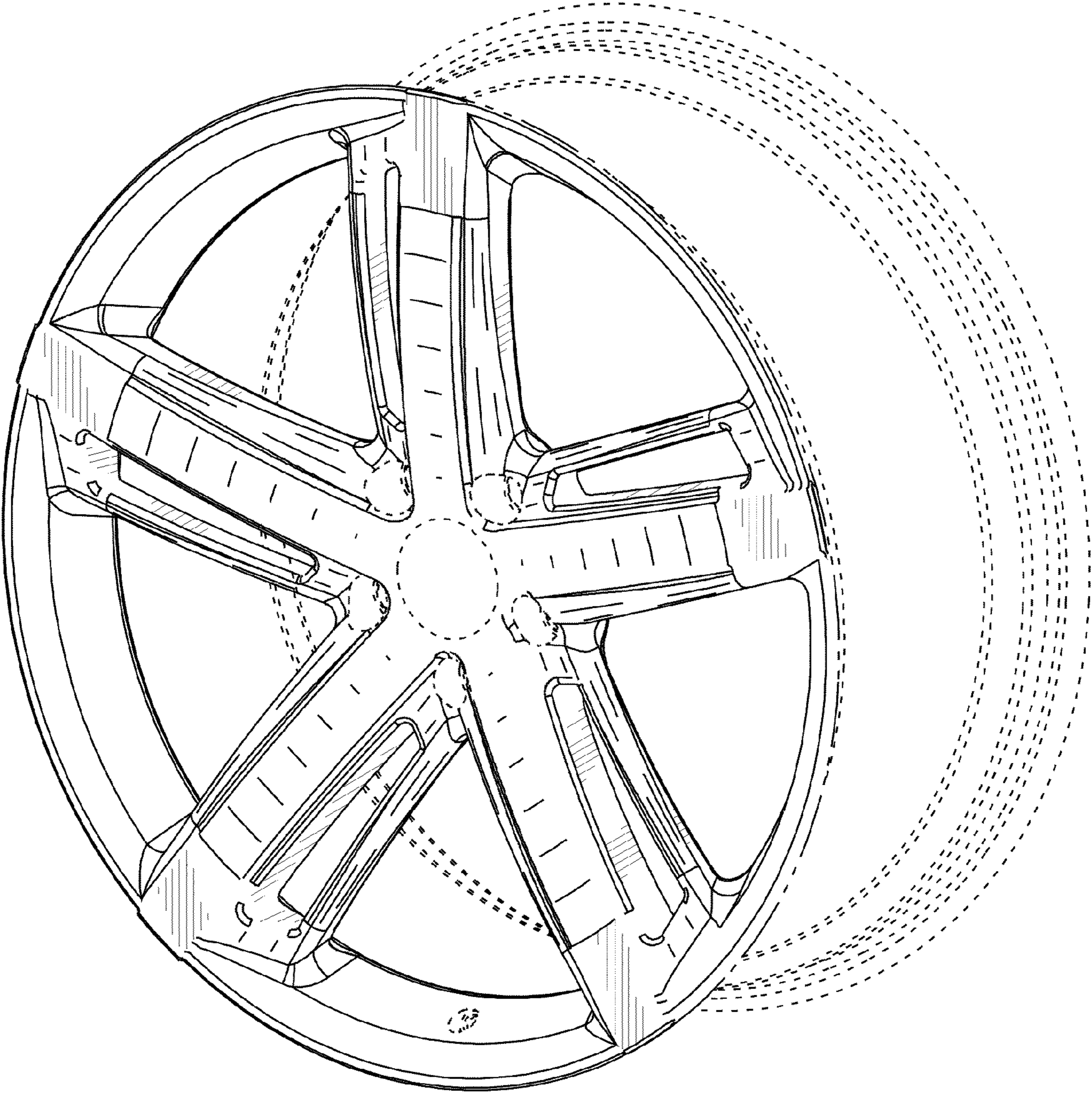


FIG. 1

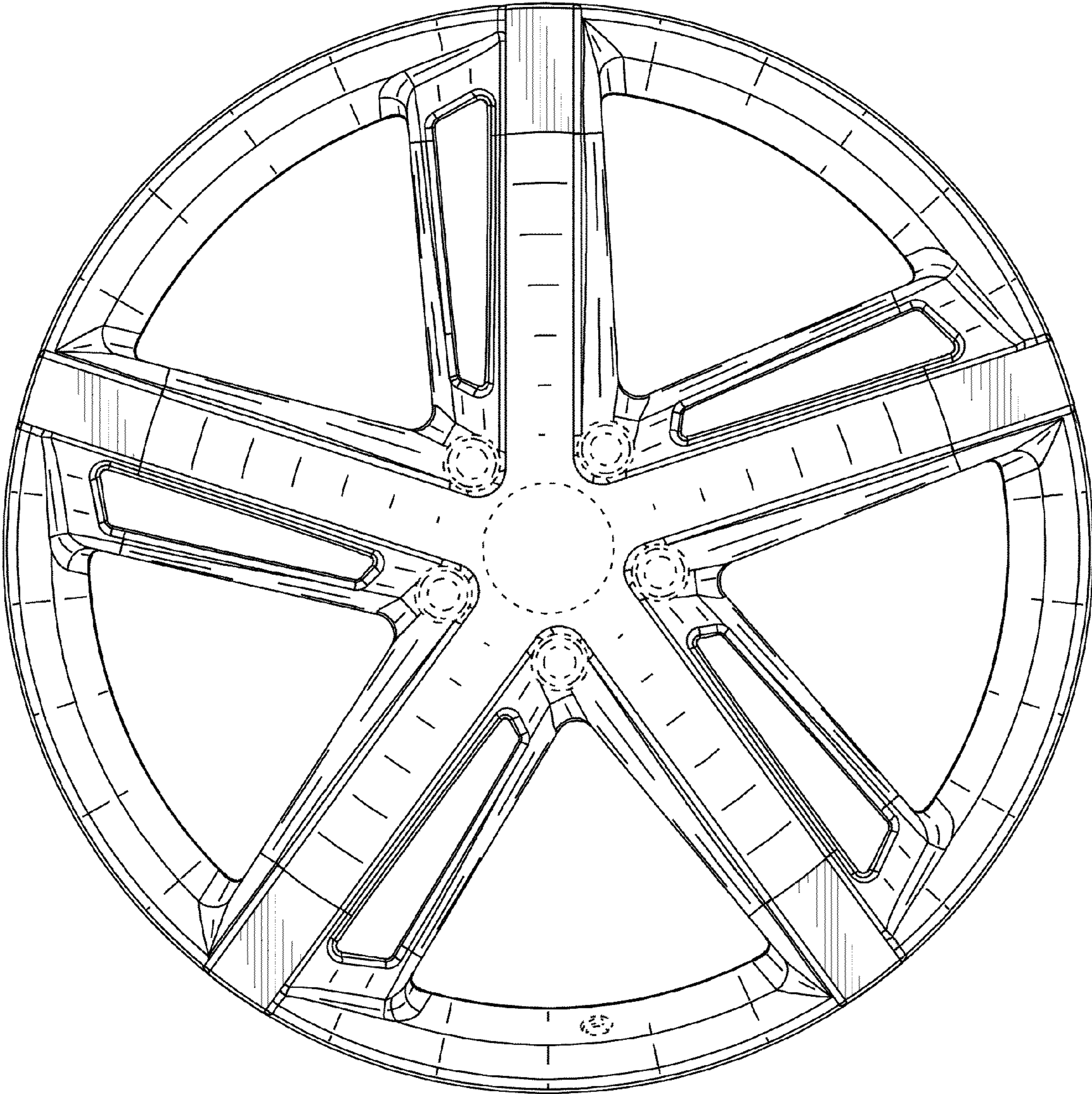


FIG. 2

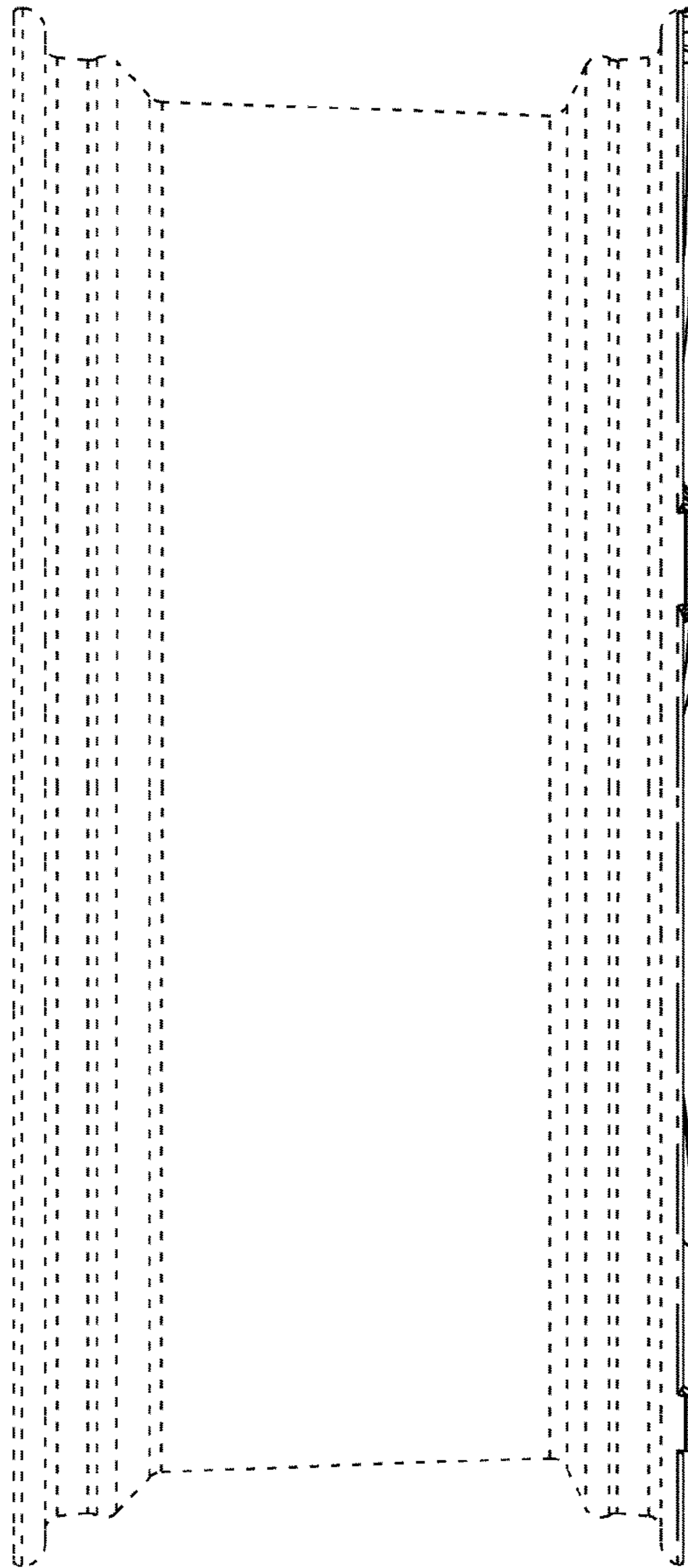


FIG. 3

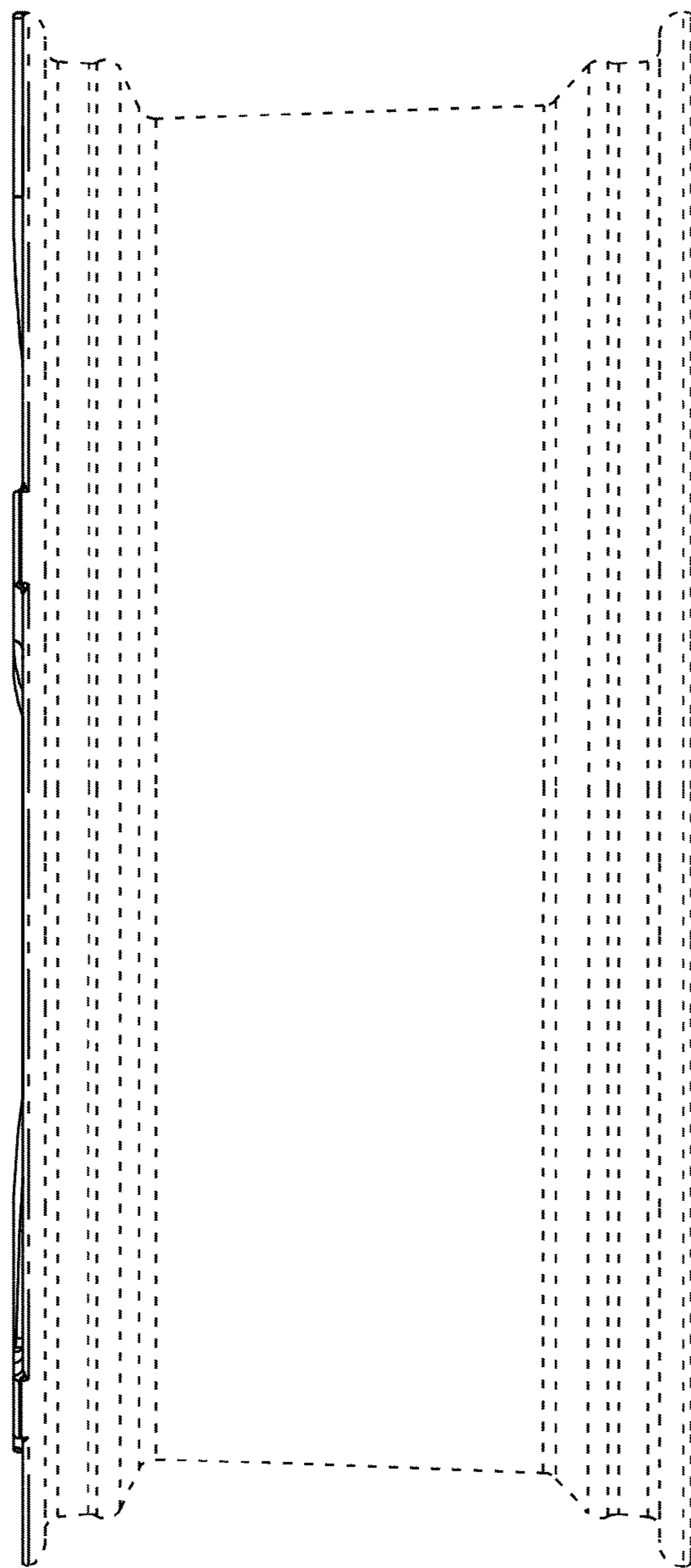


FIG. 4

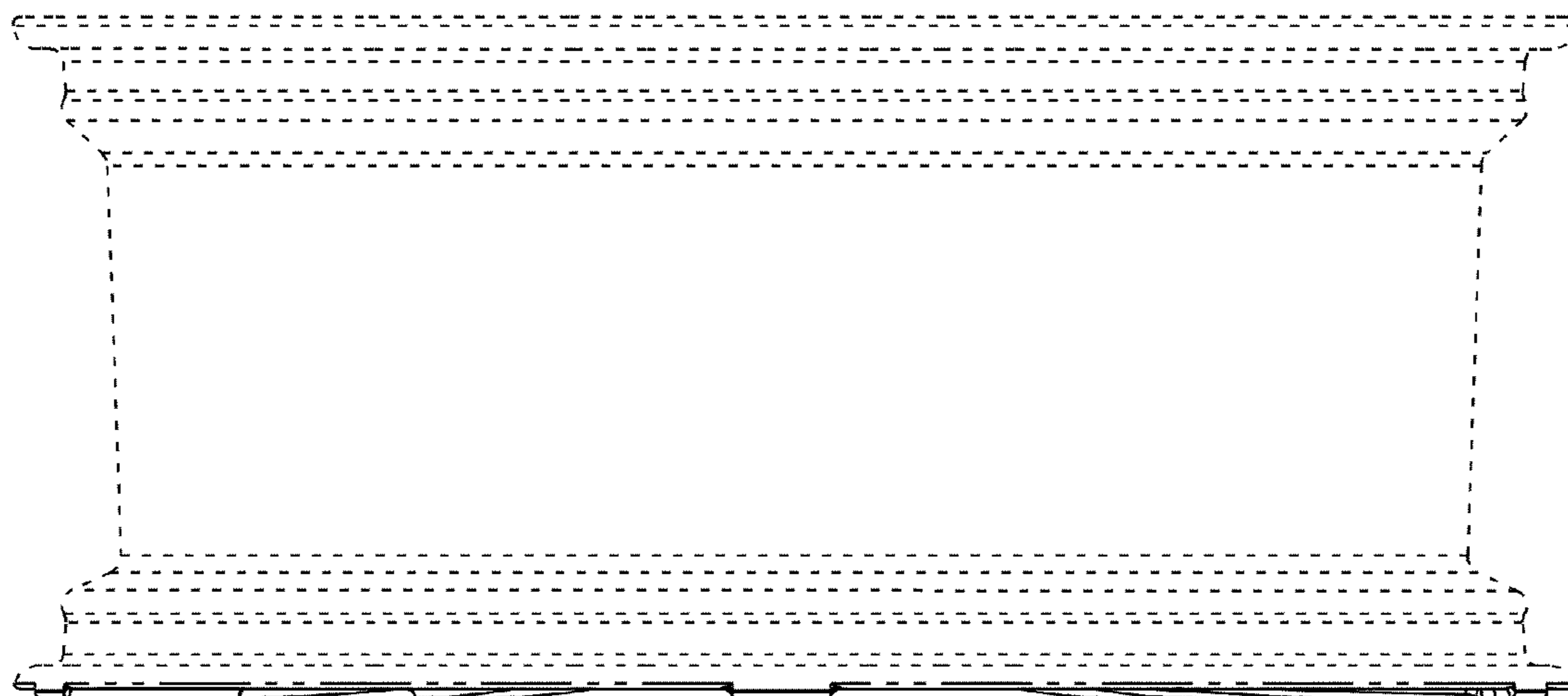


FIG. 5

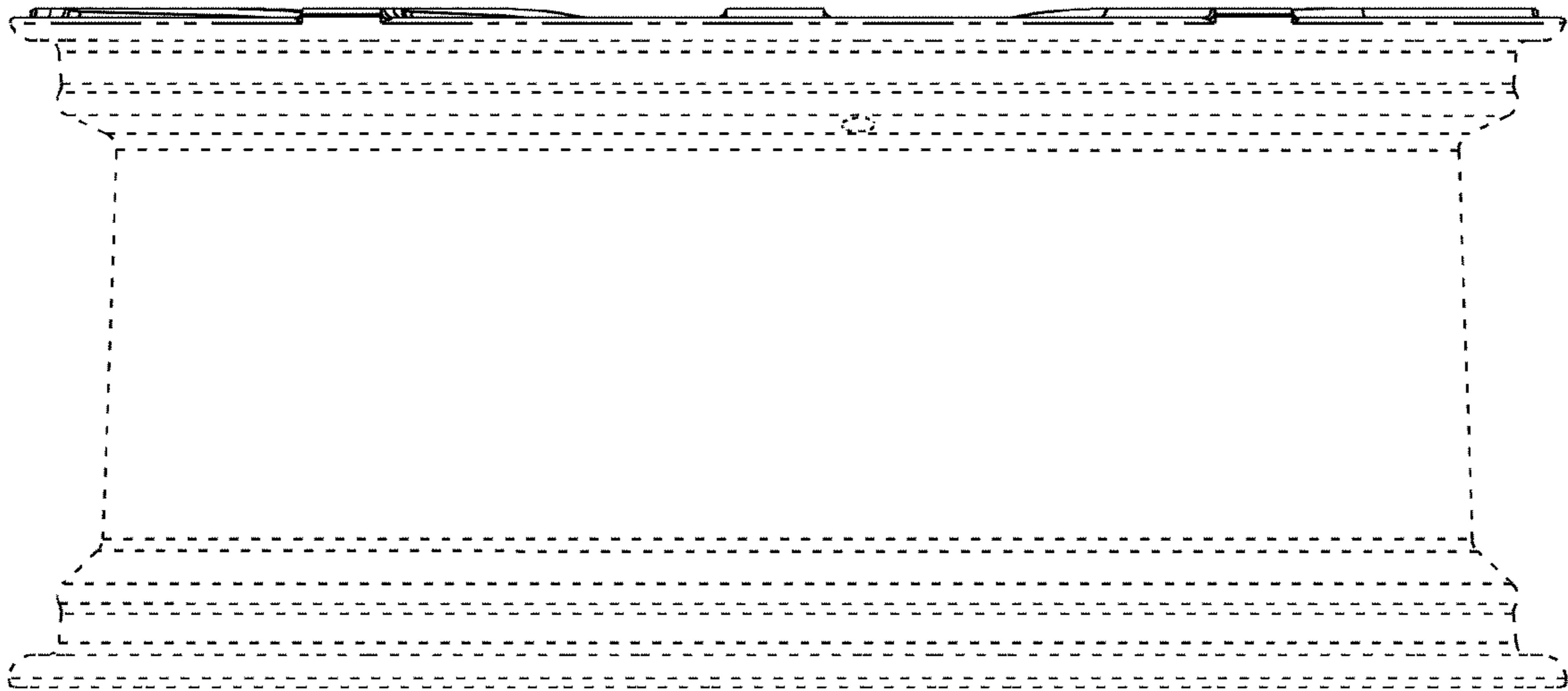


FIG. 6

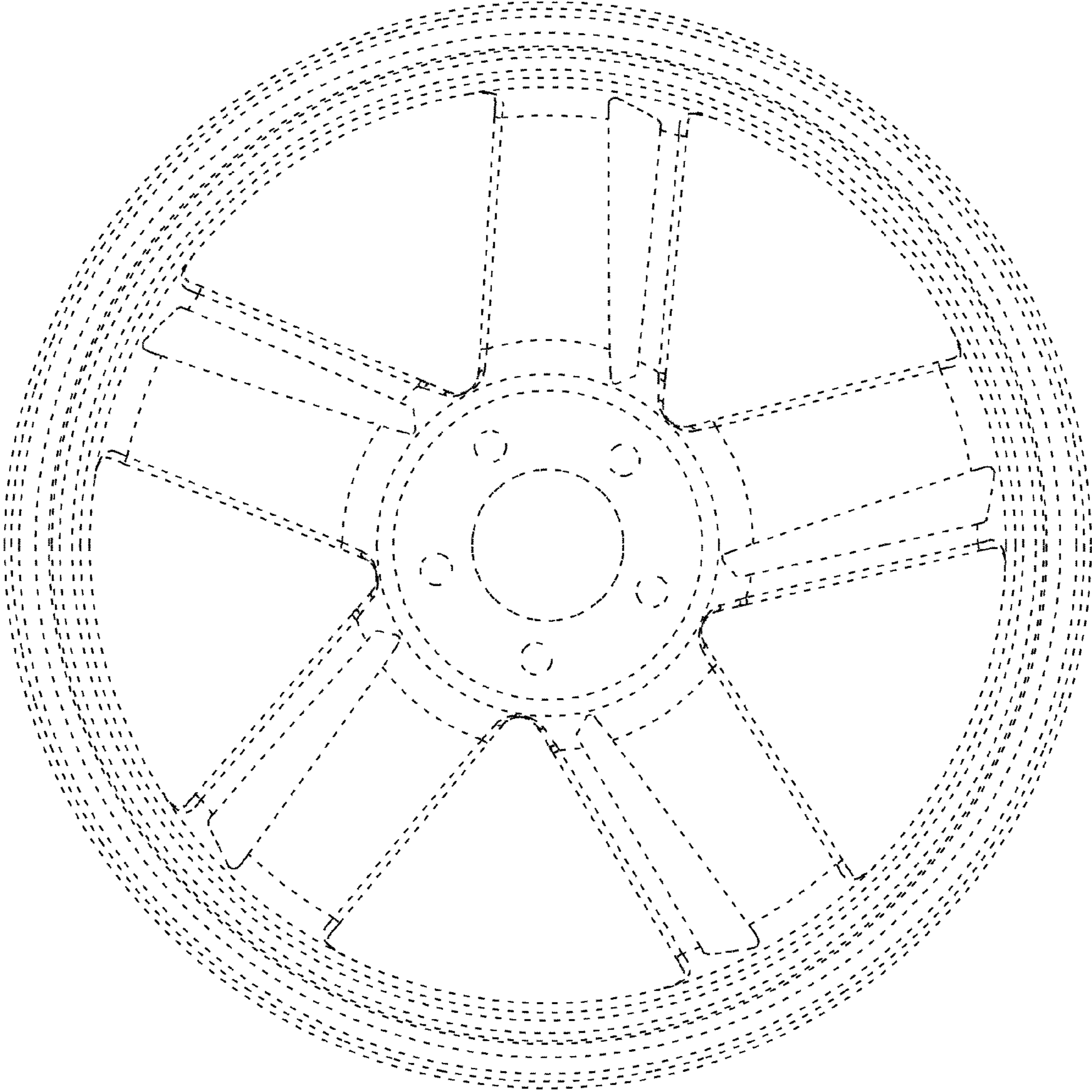


FIG. 7

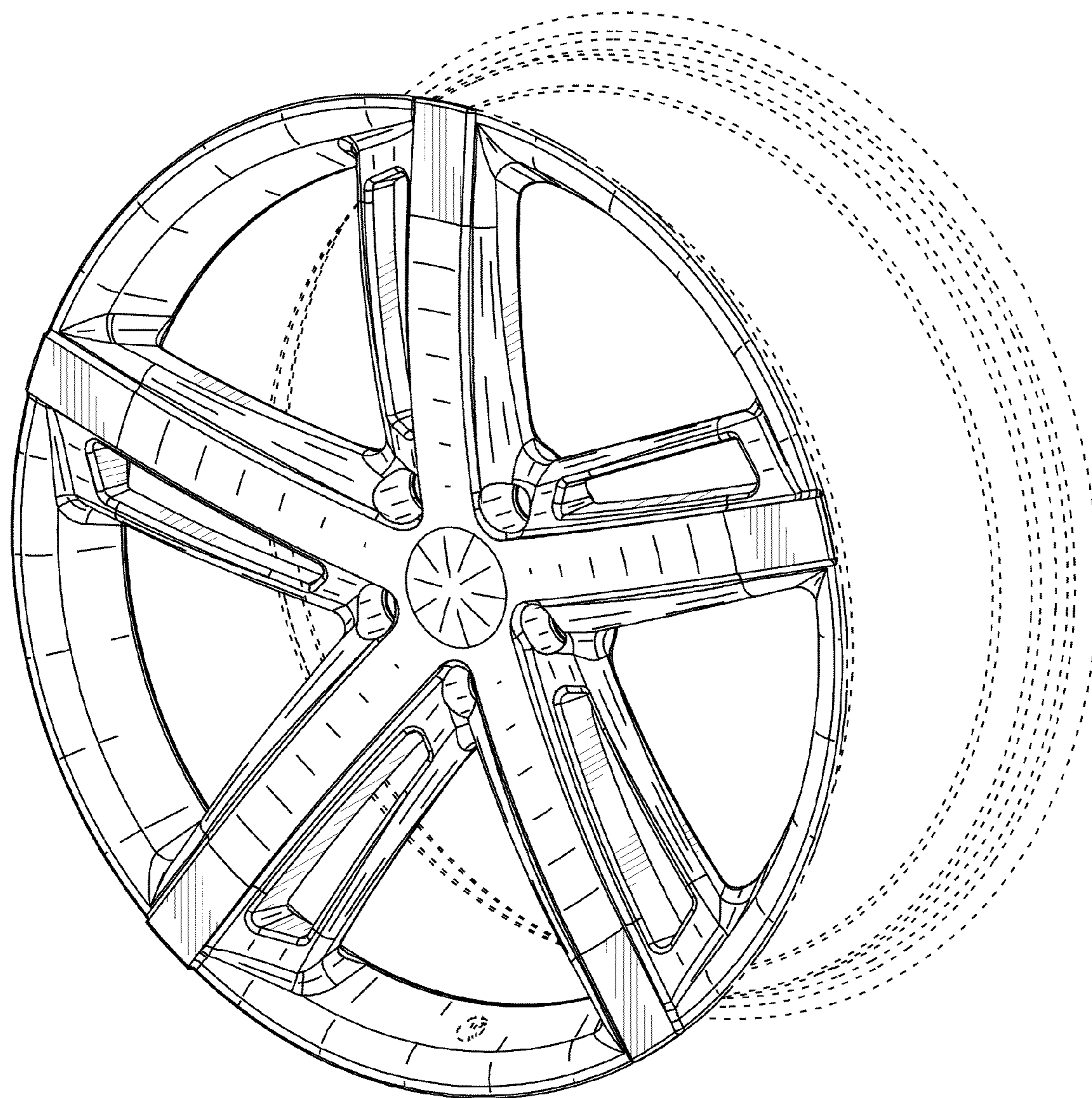


FIG. 8

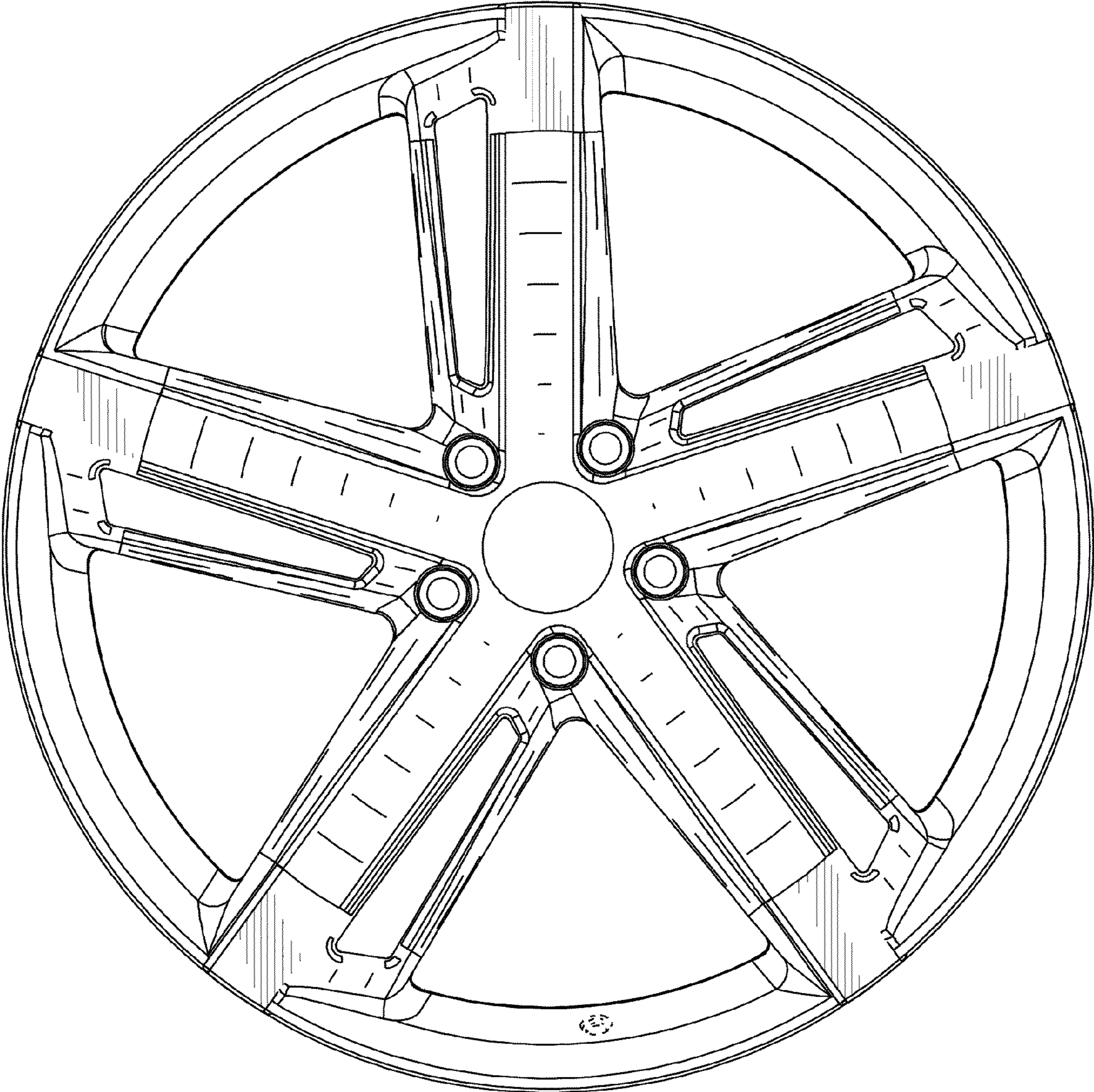


FIG. 9