



US00D588516S

(12) **United States Design Patent**  
**Nagashima**

(10) **Patent No.:** **US D588,516 S**  
(45) **Date of Patent:** **\*\* Mar. 17, 2009**

(54) **WHEEL OR WHEEL COVER**

(75) Inventor: **Joji Nagashima**, Munich (DE)

(73) Assignee: **Bayerische Motoren Werke  
Aktiengesellschaft**, Munich (DE)

(\*\*) Term: **14 Years**

(21) Appl. No.: **29/309,064**

(22) Filed: **Jun. 17, 2008**

(30) **Foreign Application Priority Data**

Dec. 18, 2007 (DE) ..... 40706335

(51) **LOC (9) Cl.** ..... **12-16**

(52) **U.S. Cl.** ..... **D12/211**

(58) **Field of Classification Search** ..... D12/204-213;  
301/37.101, 64.101, 65, 64.201  
See application file for complete search history.

(56) **References Cited**

**U.S. PATENT DOCUMENTS**

D504,651 S *	5/2005	Johnson	.....	D12/211
D505,903 S	6/2005	Nordmann		
D508,671 S	8/2005	Baum		
D513,726 S *	1/2006	Kamimura	.....	D12/211
D516,490 S *	3/2006	Baer	.....	D12/211
D523,387 S *	6/2006	Pfeiffer	.....	D12/211
D524,219 S *	7/2006	Scheu	.....	D12/211

D527,328 S *	8/2006	Pfeiffer	.....	D12/211
D530,251 S *	10/2006	Gabath	.....	D12/209
D538,729 S *	3/2007	Pfeiffer	.....	D12/209
D546,747 S *	7/2007	Pfeiffer	.....	D12/211
D554,573 S *	11/2007	Pfeiffer	.....	D12/211

**FOREIGN PATENT DOCUMENTS**

EM	000213335-0004	8/2004
WO	DM/047770	4/1999

\* cited by examiner

*Primary Examiner*—Stacia Cadmus

(74) *Attorney, Agent, or Firm*—Crowell & Moring LLP

(57) **CLAIM**

The ornamental design for a wheel or wheel cover, as shown and described.

**DESCRIPTION**

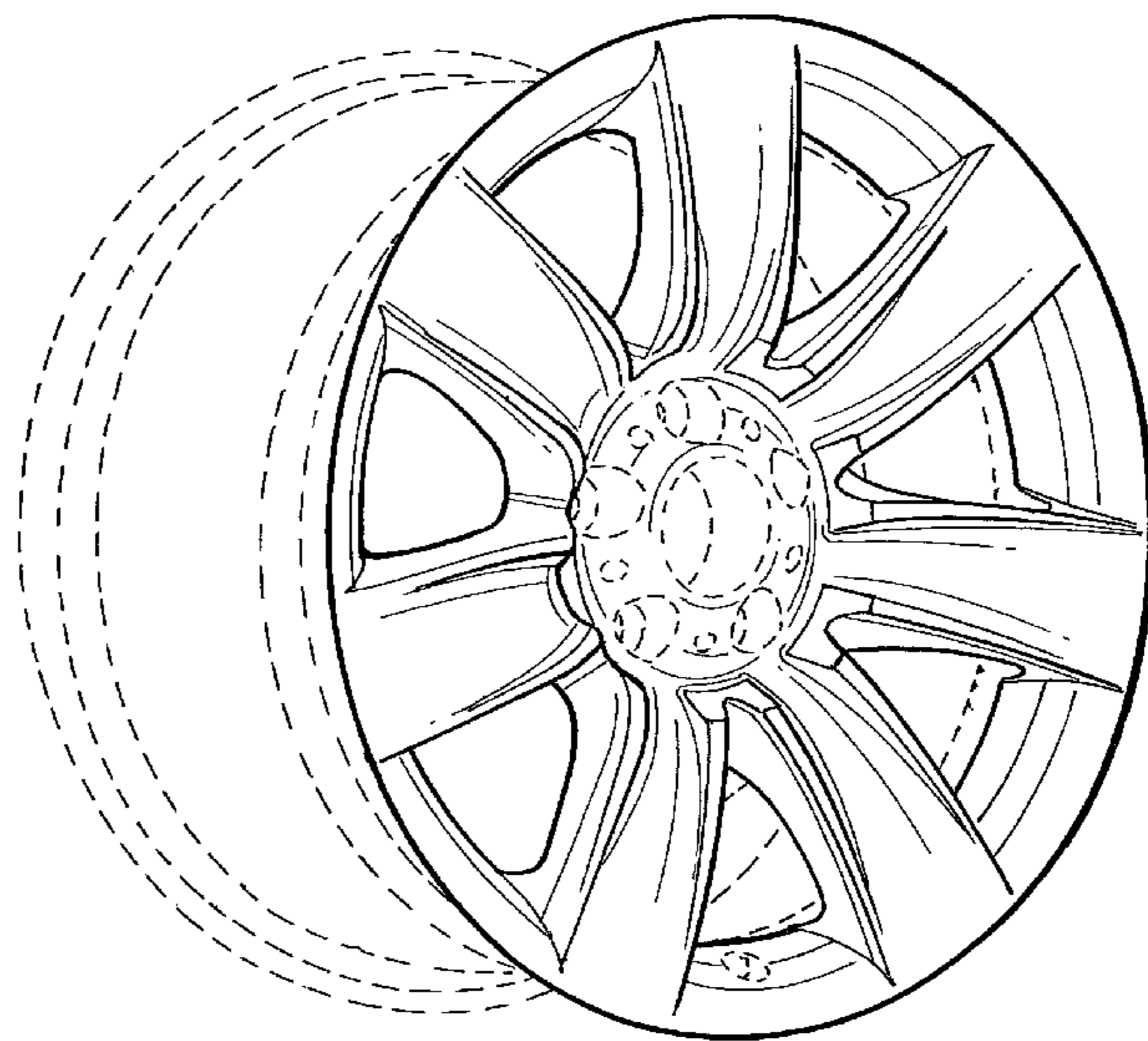
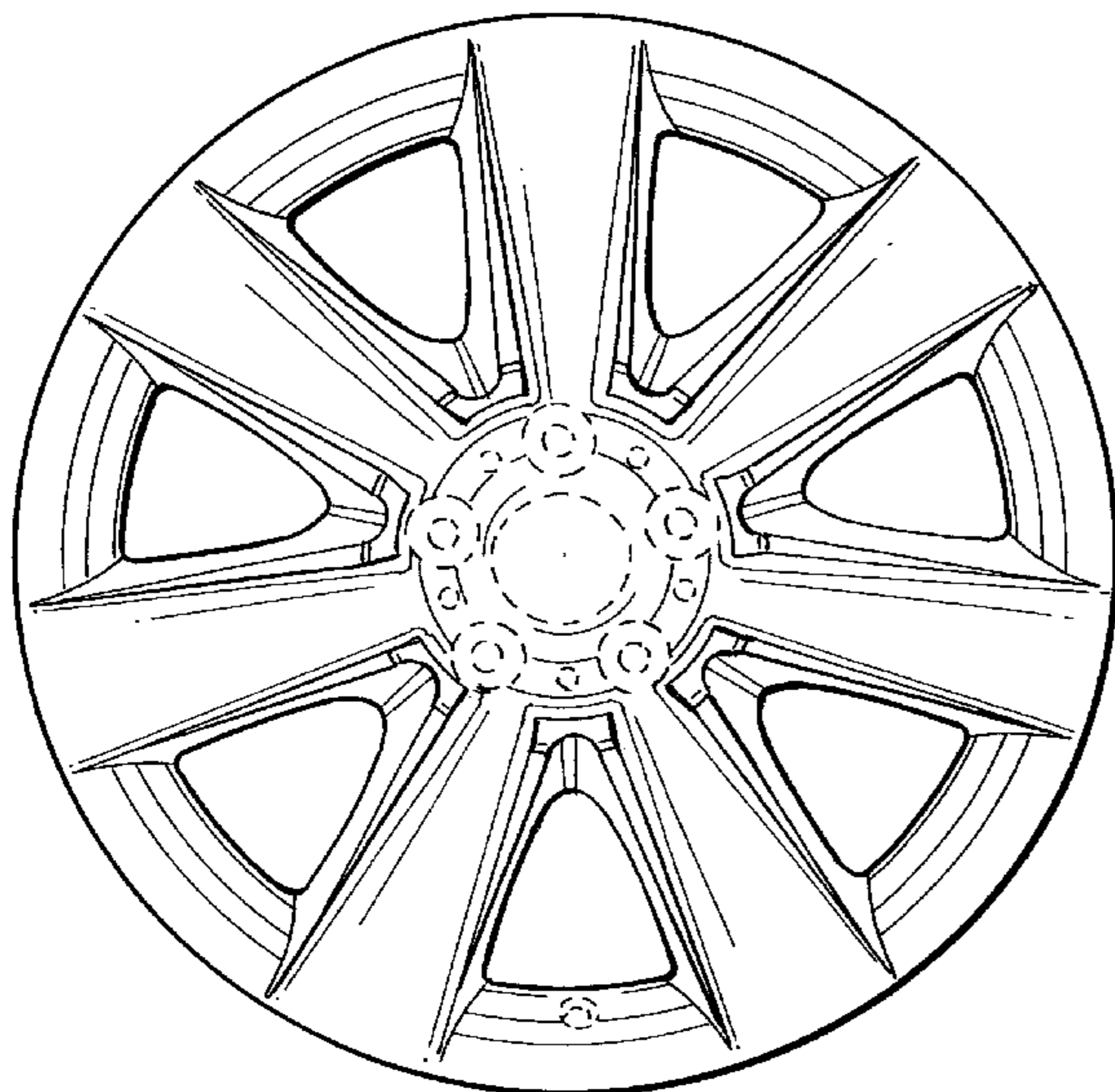
This application is related to the following co-pending applications: Ser. No. 29/268,410, filed Nov. 7, 2006; and Ser. No. 29/287,171, filed Jul. 6, 2007.

FIG. 1 is a front view of a wheel or wheel cover according to my novel design; and,

FIG. 2 is a perspective view thereof.

The broken line showing of the rear portion of the rim and the central hub area is included for the purpose of illustrating environment and forms no part of the claimed design.

**1 Claim, 1 Drawing Sheet**



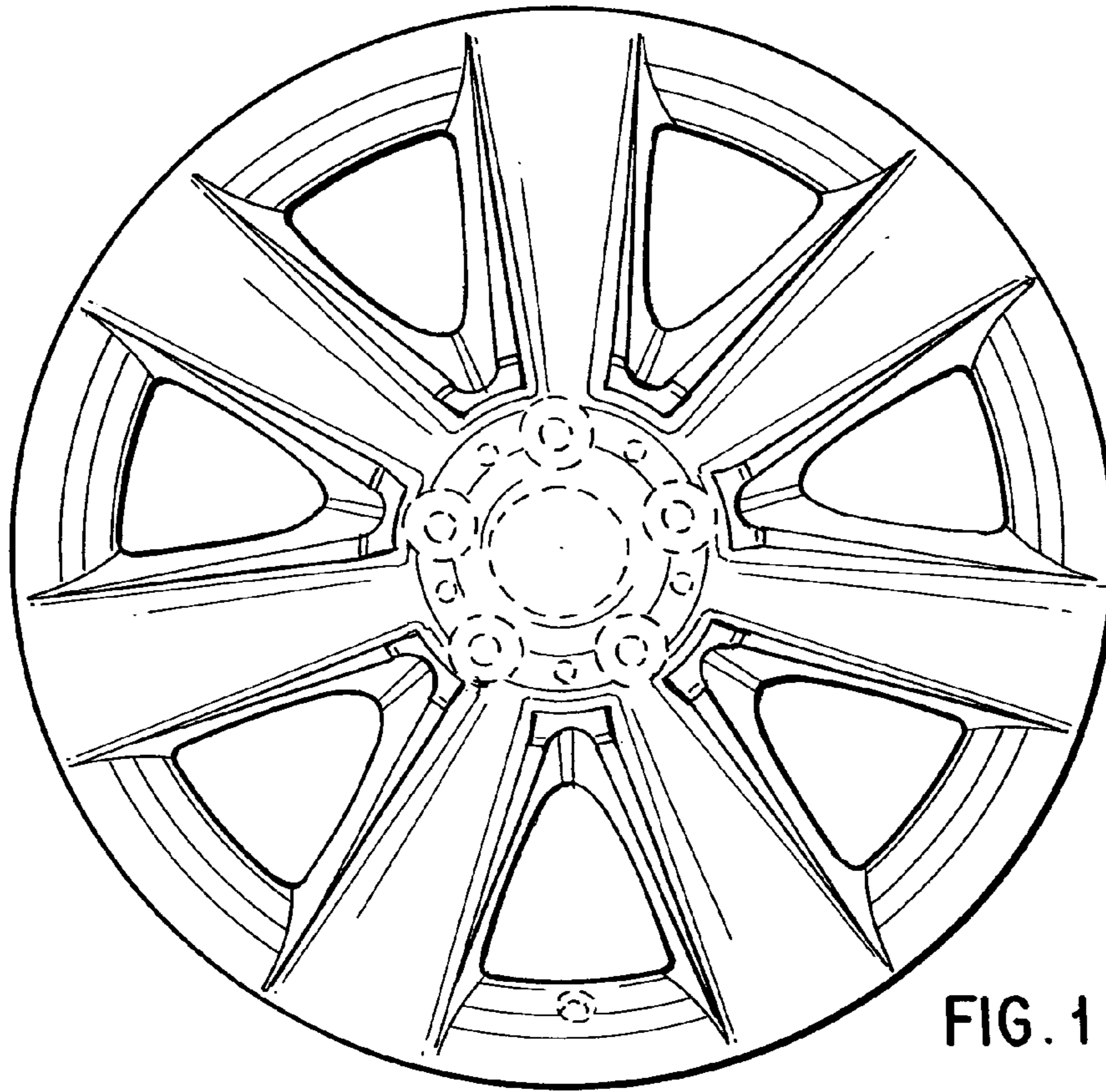


FIG. 1

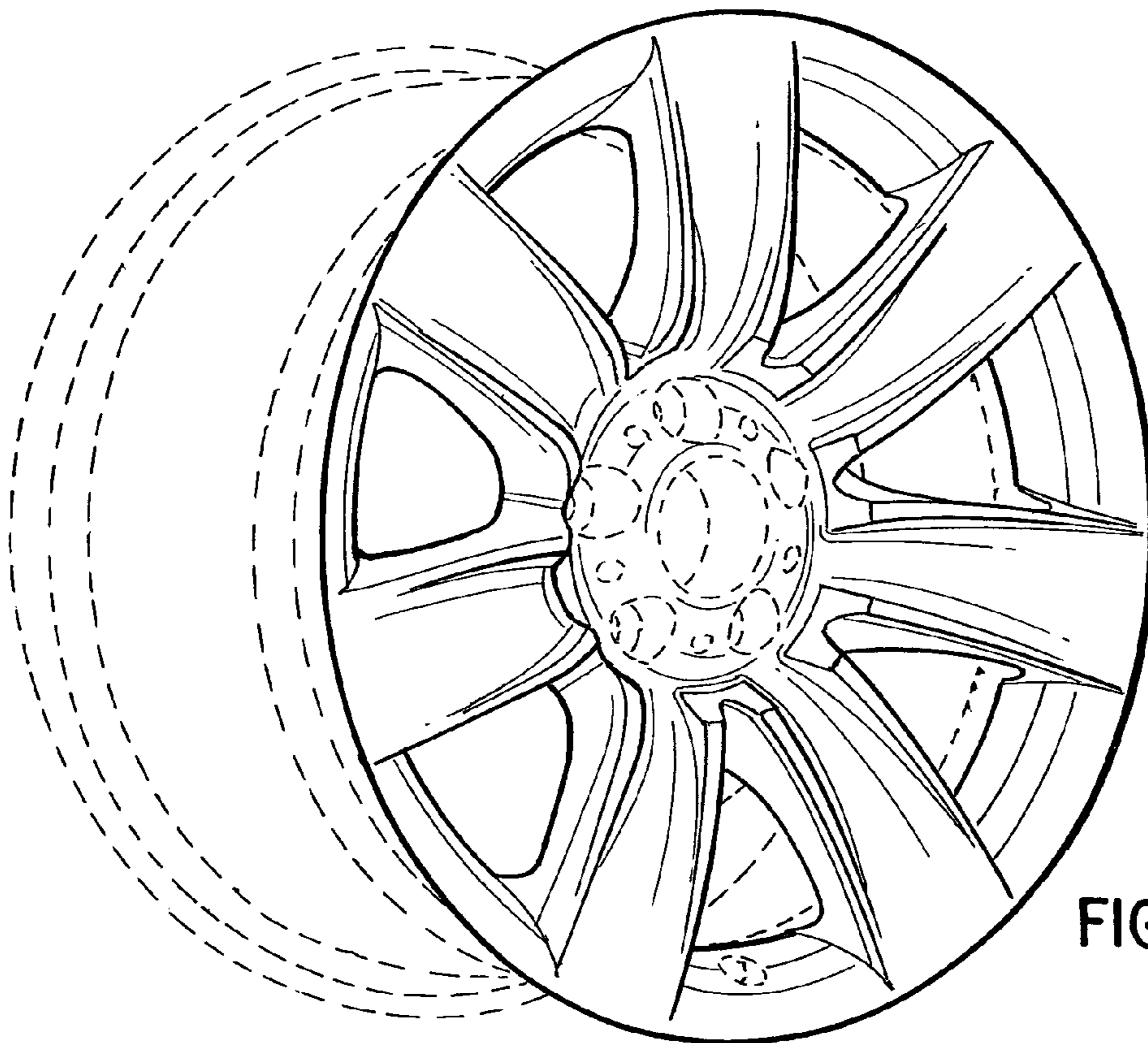


FIG. 2