



US00D588515S

(12) **United States Design Patent**  
**Lamm et al.**

(10) **Patent No.:** **US D588,515 S**  
(45) **Date of Patent:** **\*\* Mar. 17, 2009**

(54) **VEHICLE WHEEL COVER**

D516,488 S \* 3/2006 Truebsbach ..... D12/209  
D529,419 S 10/2006 Richards et al.  
D555,565 S \* 11/2007 Noonan et al. .... D12/209

(75) Inventors: **Stephan Lamm**, Köln (DE); **Todd Willing**, South Weald (GB)

(73) Assignee: **Ford Motor Company**, Dearborn, MI (US)

(\*\*) Term: **14 Years**

(21) Appl. No.: **29/302,098**

(22) Filed: **Jan. 10, 2008**

(51) **LOC (9) Cl.** ..... **12-16**

(52) **U.S. Cl.** ..... **D12/211**

(58) **Field of Classification Search** ..... D12/204–213;  
301/37.101, 64.101, 65, 64.201  
See application file for complete search history.

(56) **References Cited**

**U.S. PATENT DOCUMENTS**

D380,724 S *	7/1997	Brown et al. ....	D12/209
D401,206 S *	11/1998	Ivanova .....	D12/209
D446,762 S *	8/2001	Hussaini et al. ....	D12/209
D460,733 S *	7/2002	Bintoro .....	D12/211
D481,346 S *	10/2003	Vian .....	D12/211
D482,309 S *	11/2003	Sulahian .....	D12/211
D500,278 S *	12/2004	Huet .....	D12/211
D504,379 S *	4/2005	Kern .....	D12/209

**OTHER PUBLICATIONS**

Thomas, David, "Kicking Tires: 2007 Detroit Auto Show: 2008 Ford Focus Coupe," article found at website: [http://blogs/cars.com/kickingtires/2007/01/2007\\_detroit\\_au-2.html](http://blogs/cars.com/kickingtires/2007/01/2007_detroit_au-2.html), 5 pages; Jan. 7, 2007.

\* cited by examiner

*Primary Examiner*—Stacia Cadmus

(74) *Attorney, Agent, or Firm*—Frank A. MacKenzie; Brooks Kushman P.C.

(57) **CLAIM**

The ornamental design for a vehicle wheel cover, as shown and described.

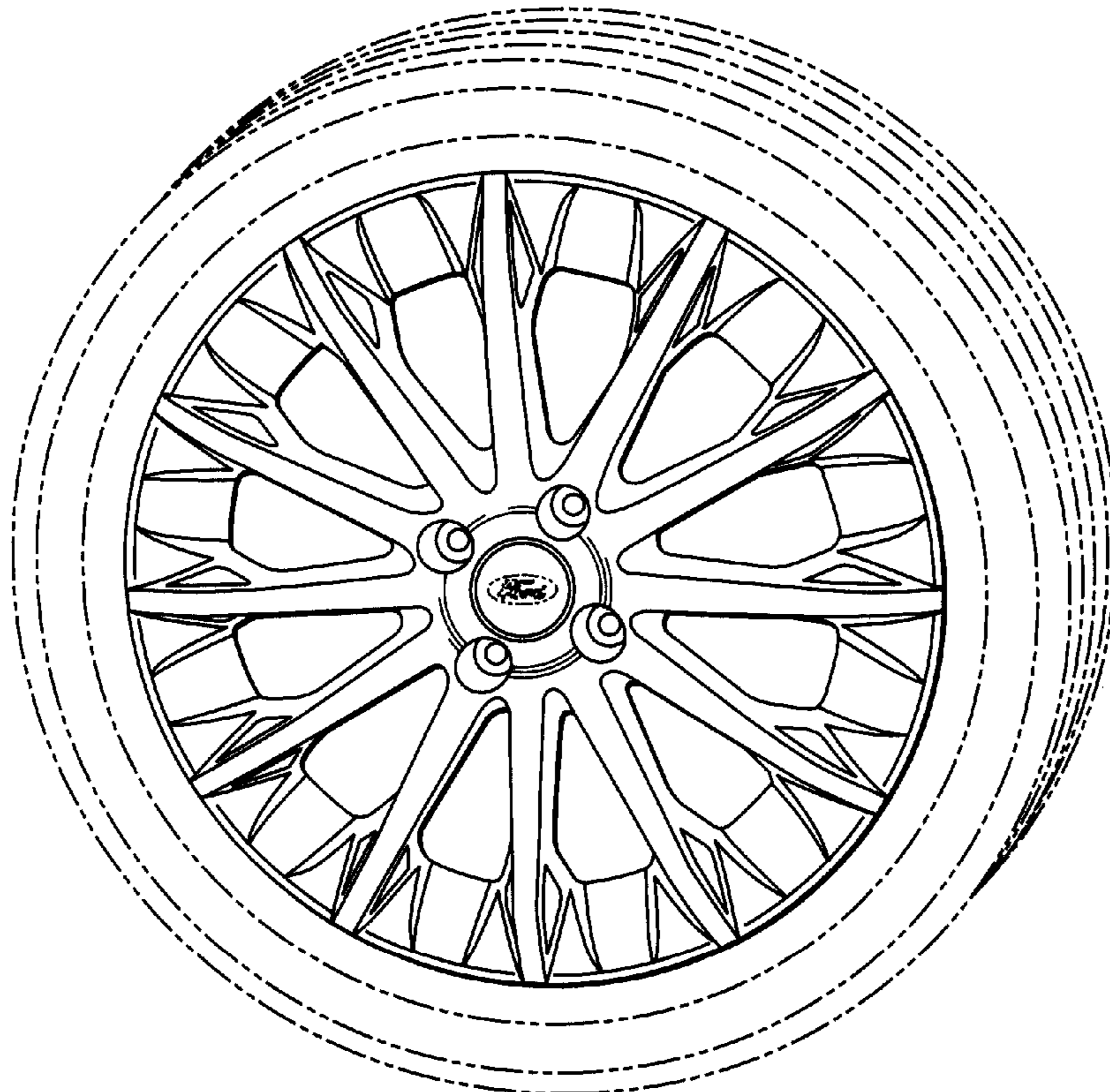
**DESCRIPTION**

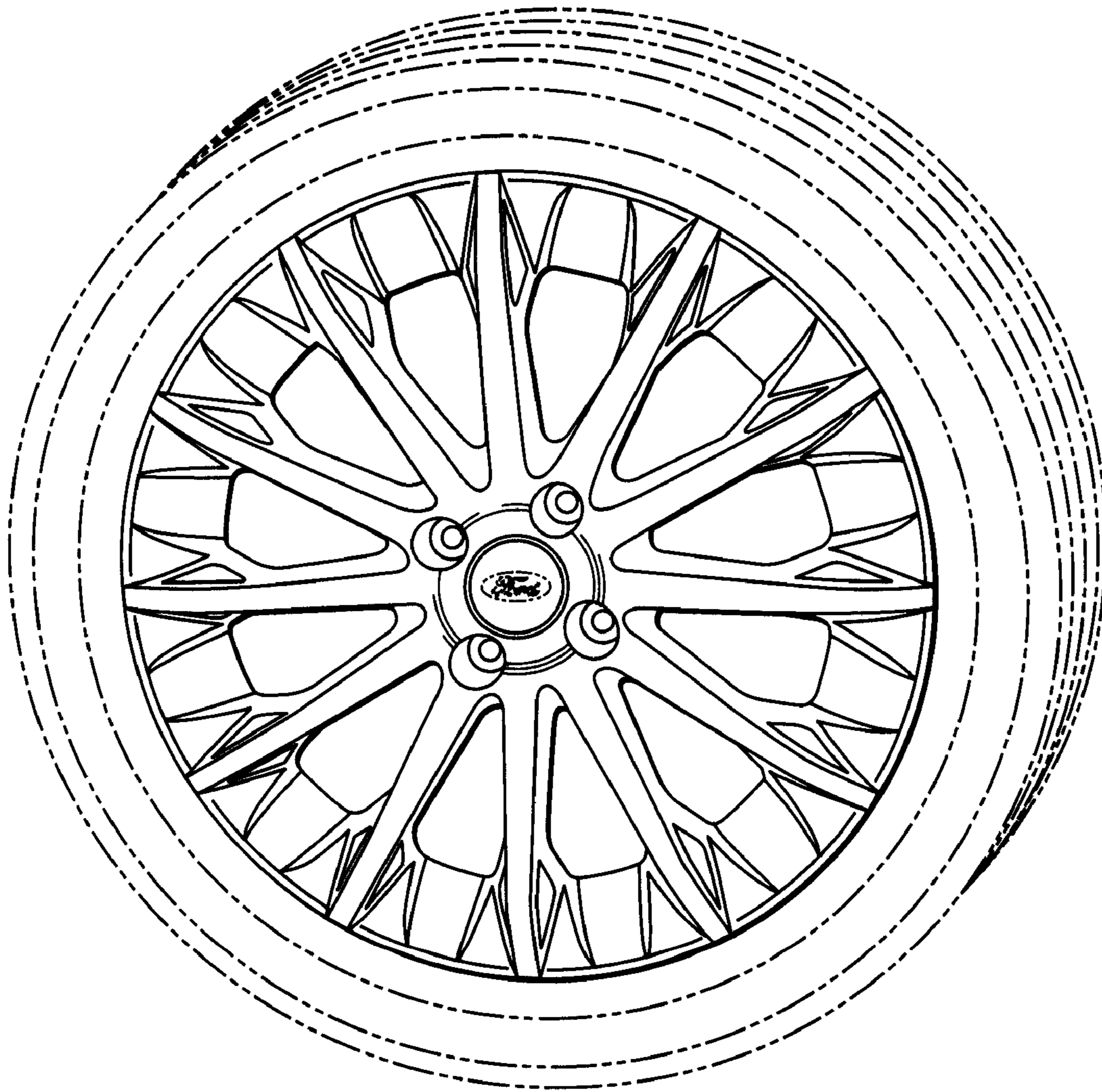
FIG. 1 is a front perspective view of a vehicle wheel cover in accordance with an embodiment of the present invention; and,

FIG. 2 is a front/side perspective view of the vehicle wheel cover of FIG. 1.

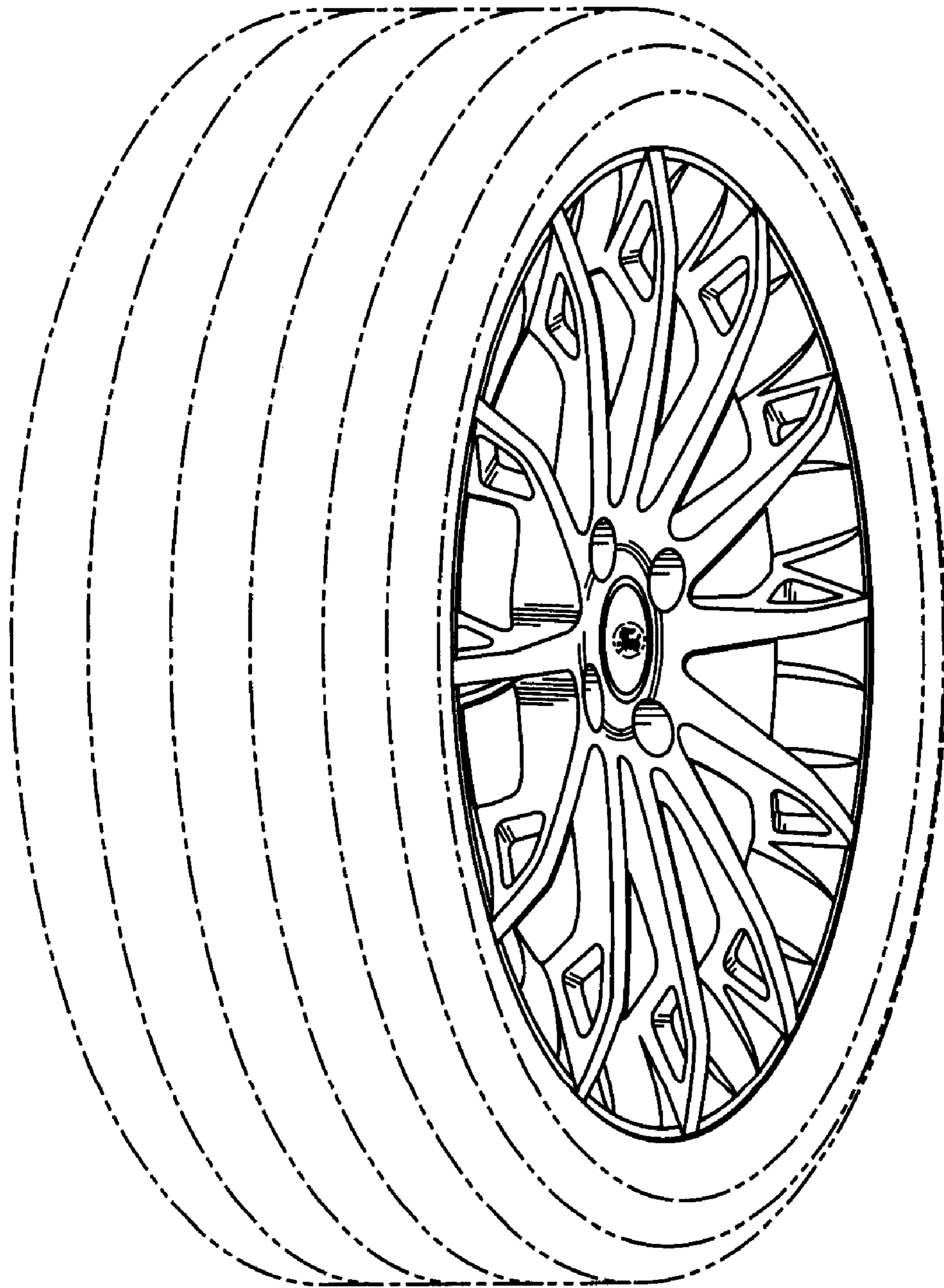
The broken lines are for illustrative purposes only and form no part of the claimed design.

**1 Claim, 2 Drawing Sheets**





*Fig. 1*



*Fig. 2*