



US00D588511S

(12) **United States Design Patent**  
**Song et al.**

(10) **Patent No.:** **US D588,511 S**

(45) **Date of Patent:** **\*\* Mar. 17, 2009**

(54) **VEHICLE HOOD**

(75) Inventors: **Solomon H Song**, Farmington Hills, MI (US); **Darrell Paul Behmer**, Novi, MI (US); **Moray Stuart Callum**, Ann Arbor, MI (US)

(73) Assignee: **Ford Motor Company**, Dearborn, MI (US)

(\*\*) Term: **14 Years**

(21) Appl. No.: **29/295,955**

(22) Filed: **Oct. 11, 2007**

(51) **LOC (9) Cl.** ..... **12-16**

(52) **U.S. Cl.** ..... **D12/173**

(58) **Field of Classification Search** ..... D12/173, D12/196, 86, 90-92; 180/69.21, 69.2, 69.22  
See application file for complete search history.

(56) **References Cited**

**U.S. PATENT DOCUMENTS**

D480,339 S	*	10/2003	Boyer	.....	D12/173
D514,484 S	*	2/2006	Nagashima	.....	D12/173
D545,735 S	*	7/2007	Angelo et al.	.....	D12/173
D548,651 S	*	8/2007	Chiang	.....	D12/173
D563,292 S	*	3/2008	Platto et al.	.....	D12/173

**OTHER PUBLICATIONS**

Detroit Auto Show: A conversation with Peter Horbury, Detroit 2007, <http://www.autoblog.com> (18 pages).

Lincoln Concept MKR, Detroit 2007 (4 pages).

Popular Mechanics, Lincoln MKS, Town Car Successor, May 21, 2007 <http://www.popularmechanics.com> (1 page).

Winding Road, Spied: Lincoln MKS Sedan, Apr. 18, 2007 <http://news.windingroad.com> (2 pages).

Lincoln Concept Zephyr, Detroit 2005 (4 pages).

Lincoln Concept MKS, Detroit 2006 (4 pages).

Lincoln MKZ AWD (P) 4dr Sedan, New York 2007 (4 pages).

\* cited by examiner

*Primary Examiner*—Melody N Brown

(74) *Attorney, Agent, or Firm*—Damian Porcari

(57) **CLAIM**

The ornamental design for a vehicle hood, as shown and described.

**DESCRIPTION**

FIG. 1 is left side perspective view of a vehicle hood;

FIG. 2 is right side perspective view of the vehicle hood;

FIG. 3 is a front elevational view of the vehicle hood;

FIG. 4 is a left side elevational view of the vehicle hood;

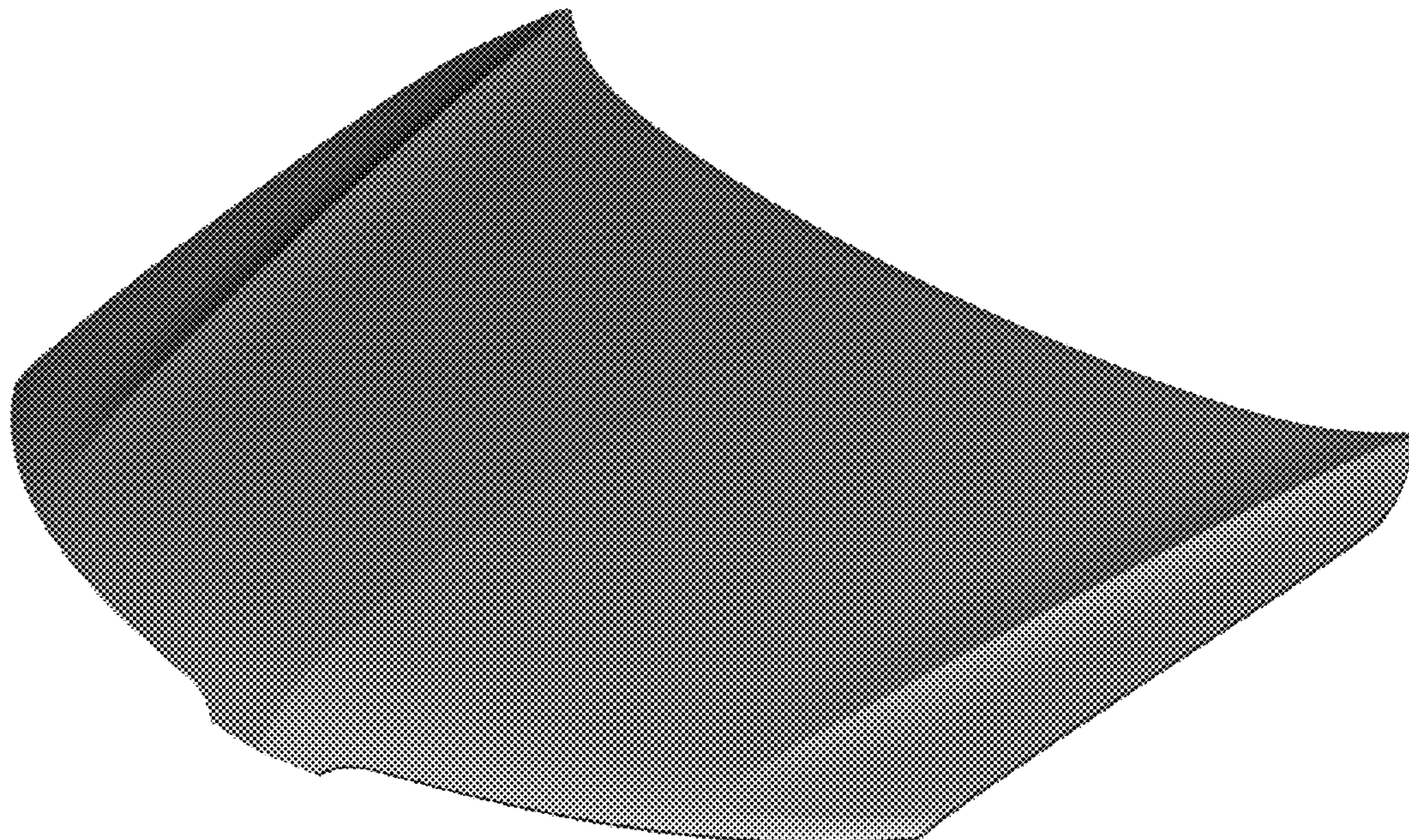
FIG. 5 is a right side elevational view of the vehicle hood;

FIG. 6 is a top plan view of the vehicle hood; and,

FIG. 7 is a bottom plan view of the vehicle hood.

The vehicle hood is styled independently of adjacent vehicle panels. To the extent that any feature lines are illustrated, they are intended to illustrate the crest and valley of the feature and are not necessarily sharp bends in the part. Shading is used to illustrate the curvature of the part and not color. Areas shown in or bounded by broken lines are not claimed. Any functional features of the vehicle hood are not claimed. Views are orthogonal projections unless otherwise noted. The various views are not necessarily to scale in order to better illustrate the design.

**1 Claim, 6 Drawing Sheets**



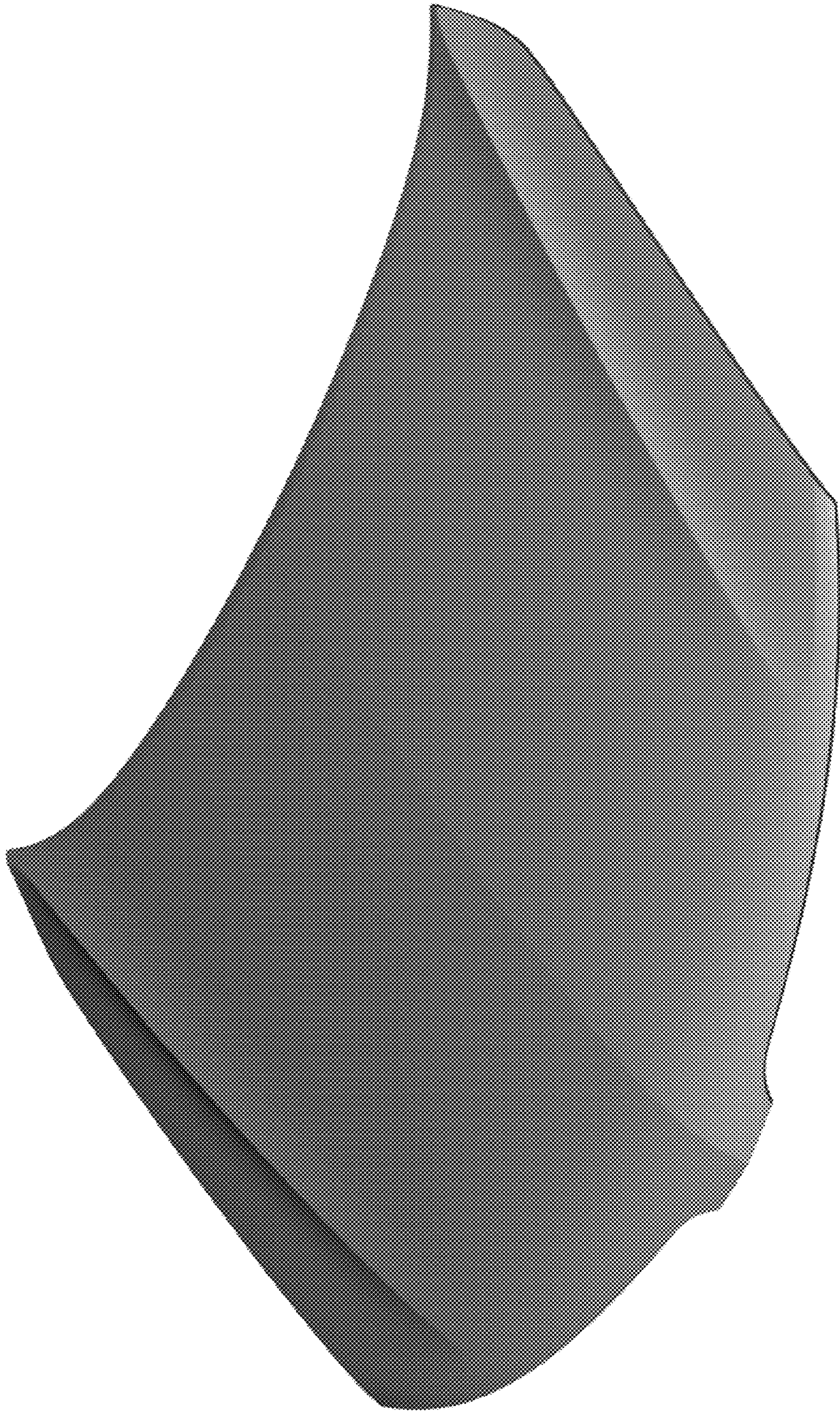


Figure 1



Figure 2

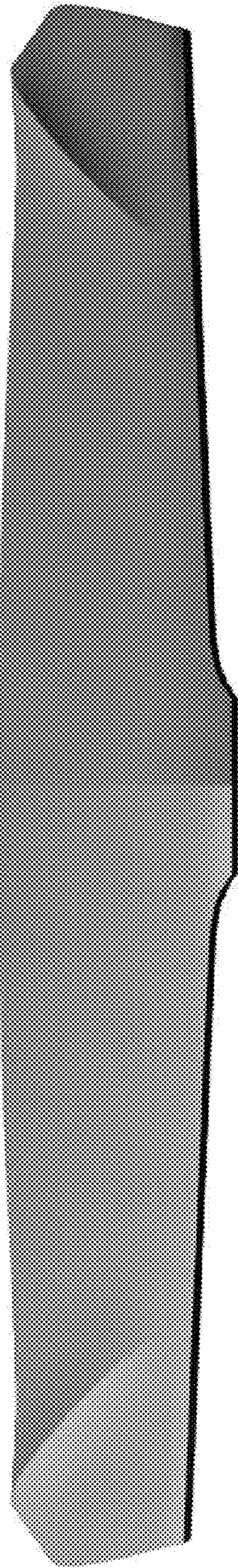


Figure 3

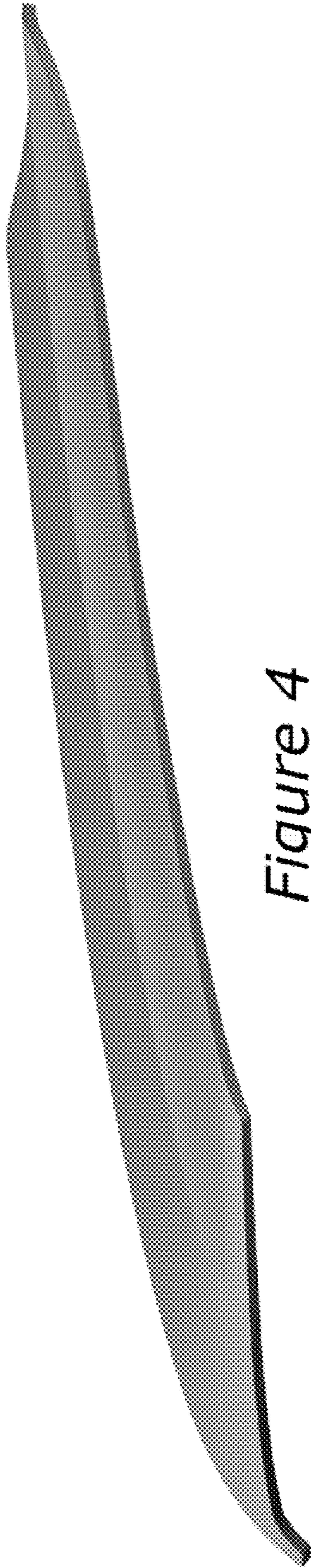


Figure 4

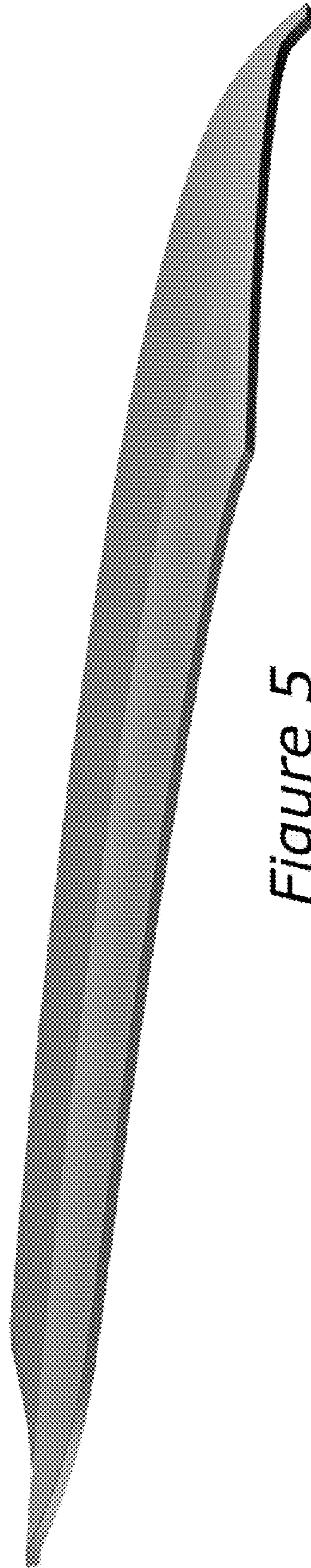


Figure 5

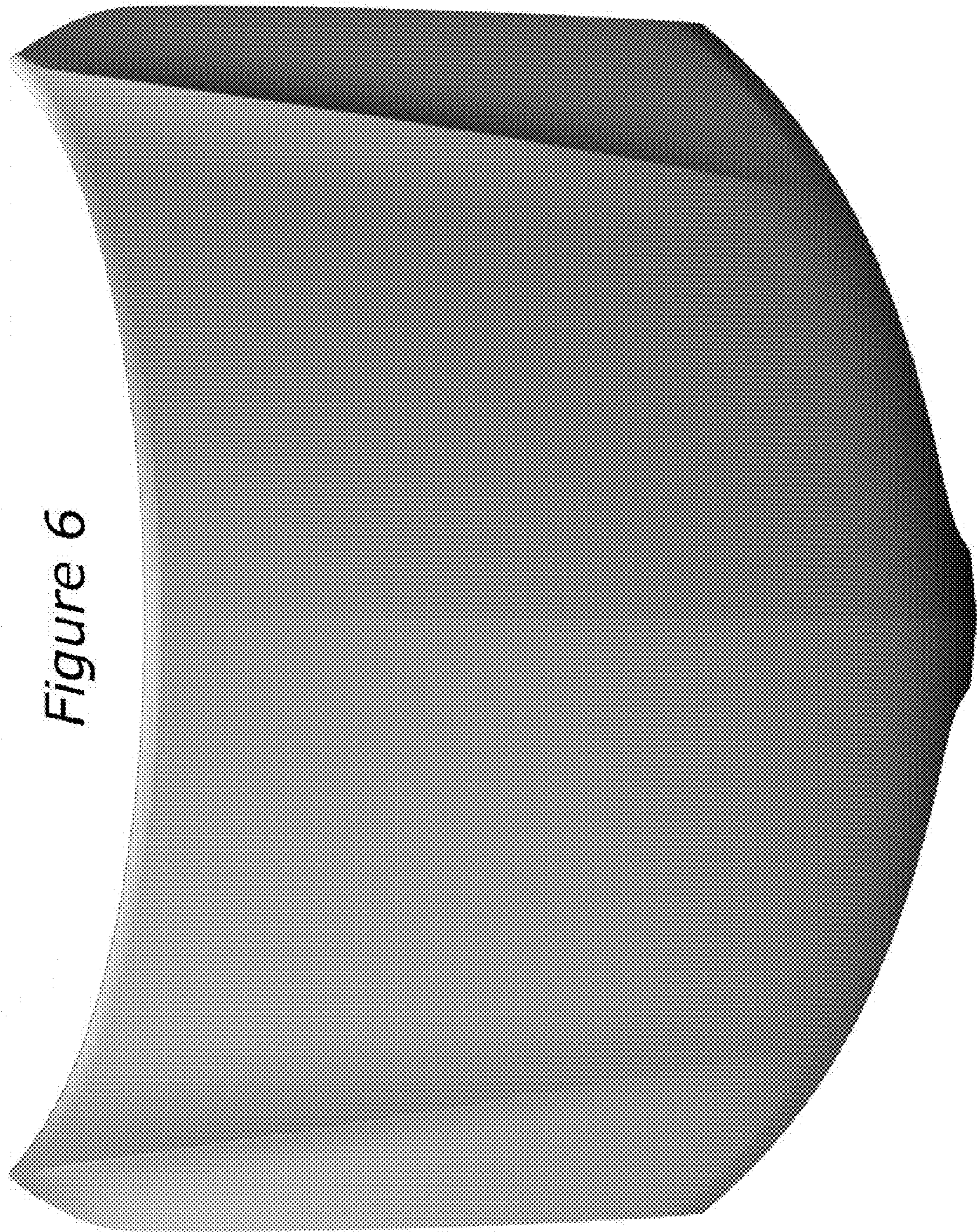


Figure 6



Figure 7