



US00D588505S

(12) **United States Design Patent**  
**Couturet**

(10) **Patent No.:** **US D588,505 S**  
(45) **Date of Patent:** **\*\* Mar. 17, 2009**

(54) **FRAME FOR BICYCLES**

D523,380 S \* 6/2006 Auger et al. .... D12/111

(75) Inventor: **Jean-Pierre Couturet**, Nevers (FR)

\* cited by examiner

(73) Assignee: **Look Cycle International**, Nevers (FR)

*Primary Examiner*—Cathron C Brooks

*Assistant Examiner*—Linda Brooks

(\*\*) Term: **14 Years**

(74) *Attorney, Agent, or Firm*—Young & Thompson

(21) Appl. No.: **29/287,665**

(57) **CLAIM**

(22) Filed: **Sep. 5, 2007**

The ornamental design for a frame for bicycles, as shown and described.

(30) **Foreign Application Priority Data**

**DESCRIPTION**

Mar. 5, 2007 (EM) ..... 000682372

(51) **LOC (9) Cl.** ..... **12-11**

(52) **U.S. Cl.** ..... **D12/111**

(58) **Field of Classification Search** ..... D12/110–114,  
D12/117, 118; 280/274–280, 281.1, 288.1–288.4,  
280/284–288

FIG. 1 is a front and side perspective view of a frame for bicycles, showing my new design;

FIG. 2 is a side elevational view thereof;

FIG. 3 is a side elevational view thereof from the side opposite that shown in FIG. 2;

See application file for complete search history.

FIG. 4 is a front elevational view thereof;

FIG. 5 is a rear elevational view thereof;

(56) **References Cited**

**U.S. PATENT DOCUMENTS**

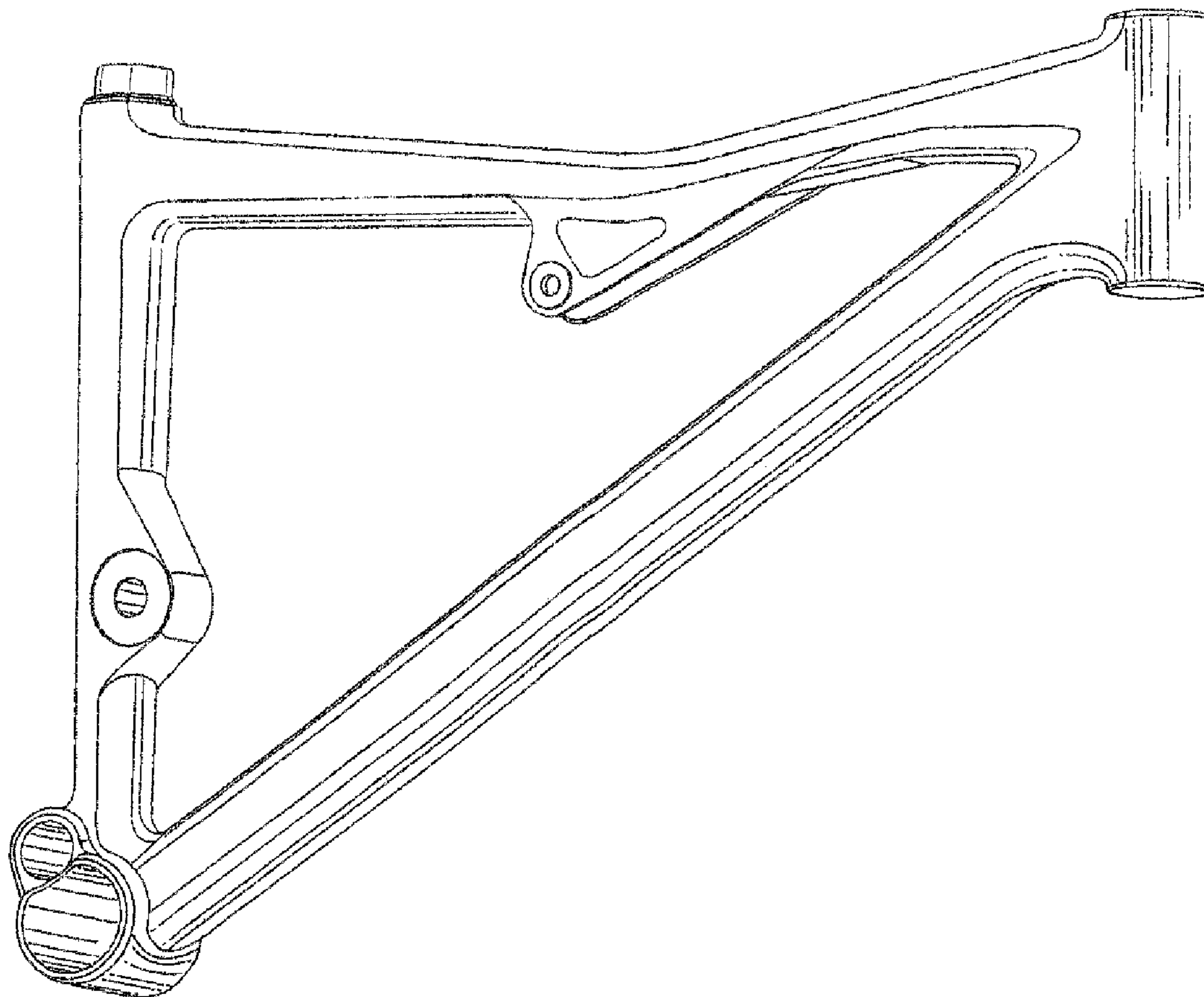
D372,002 S \* 7/1996 Busby et al. .... D12/111

D486,424 S \* 2/2004 Sagan ..... D12/111

FIG. 6 is a top plan view thereof; and,

FIG. 7 is a bottom plan view thereof.

**1 Claim, 3 Drawing Sheets**



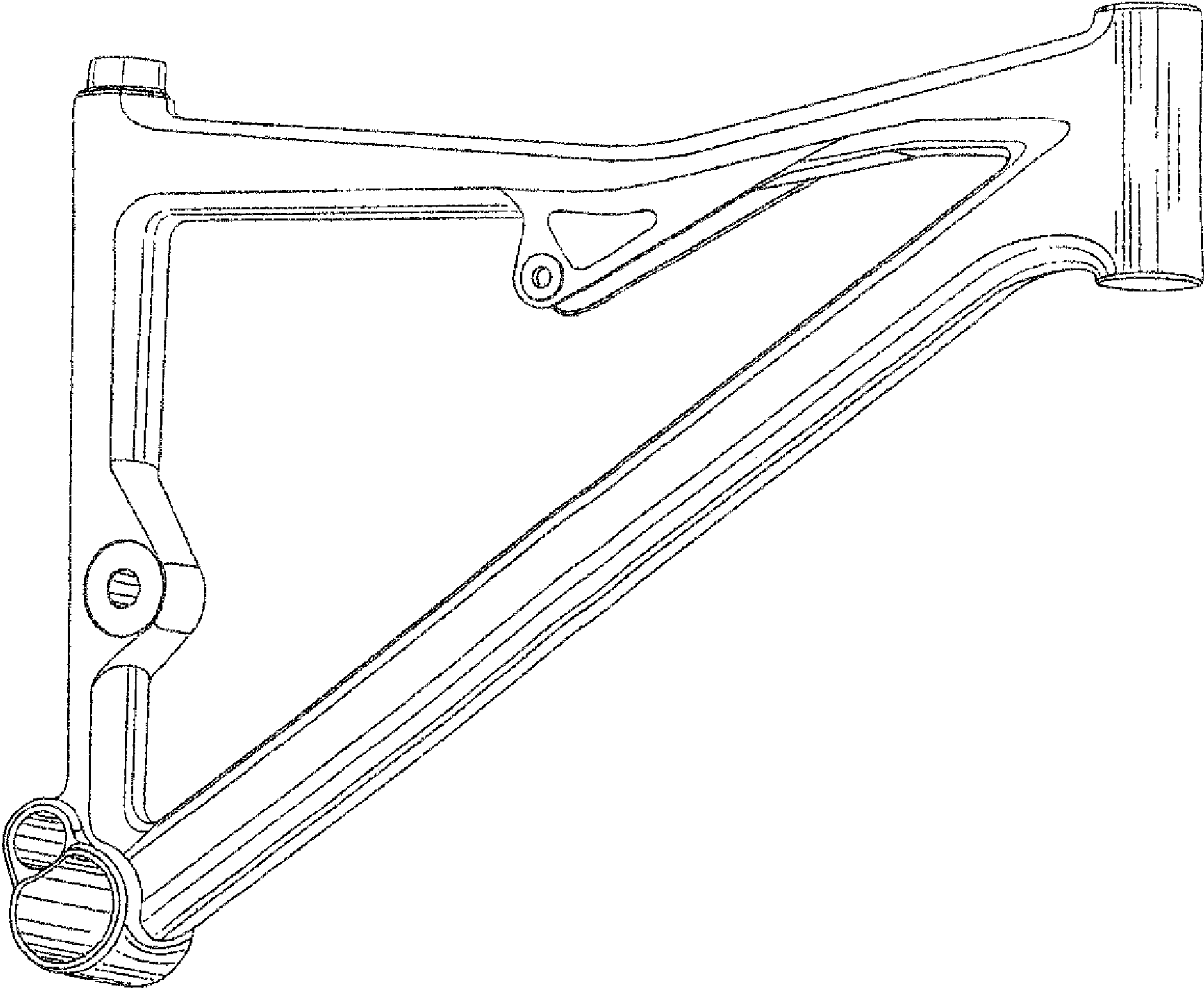


FIG. 1

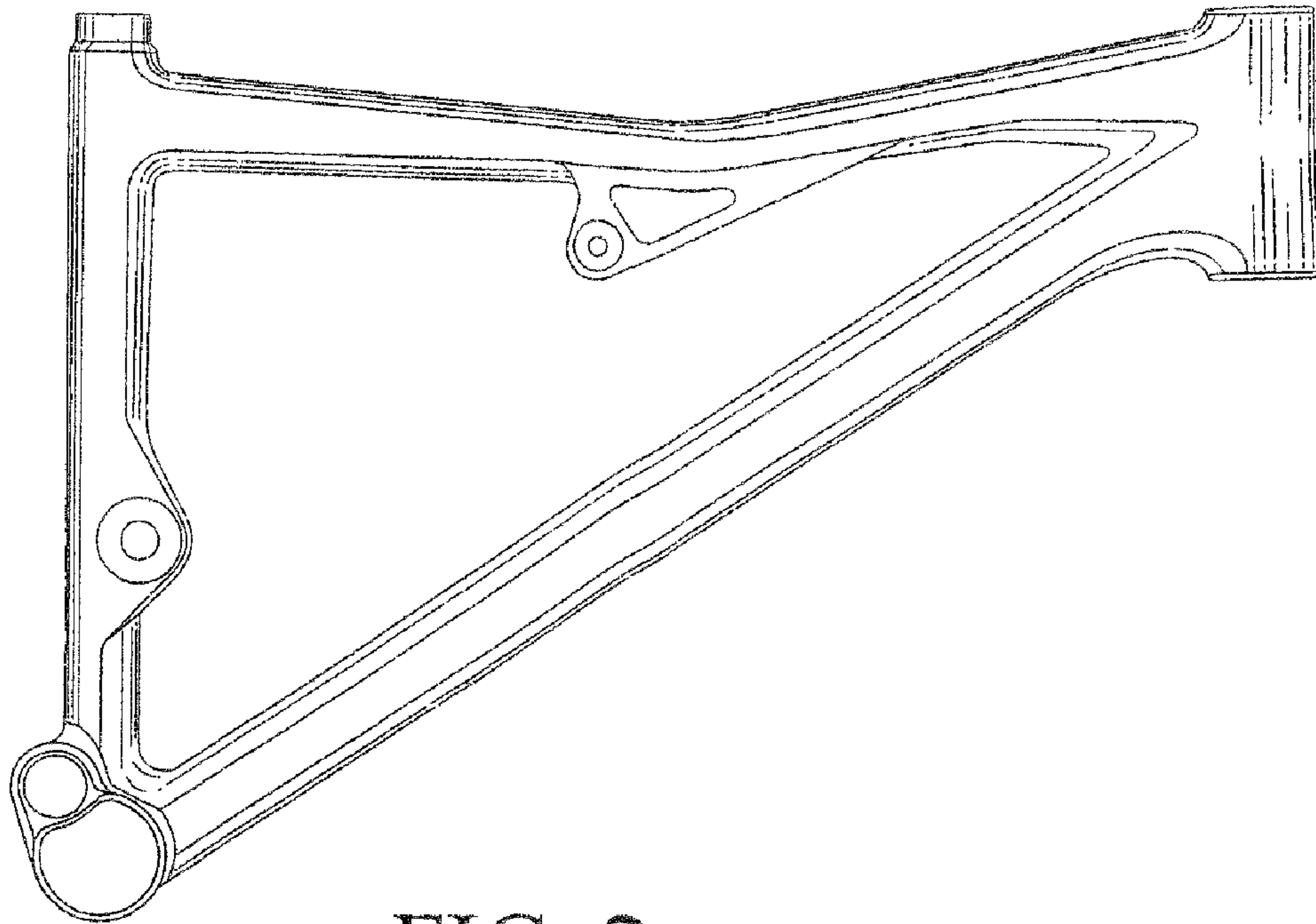


FIG. 2

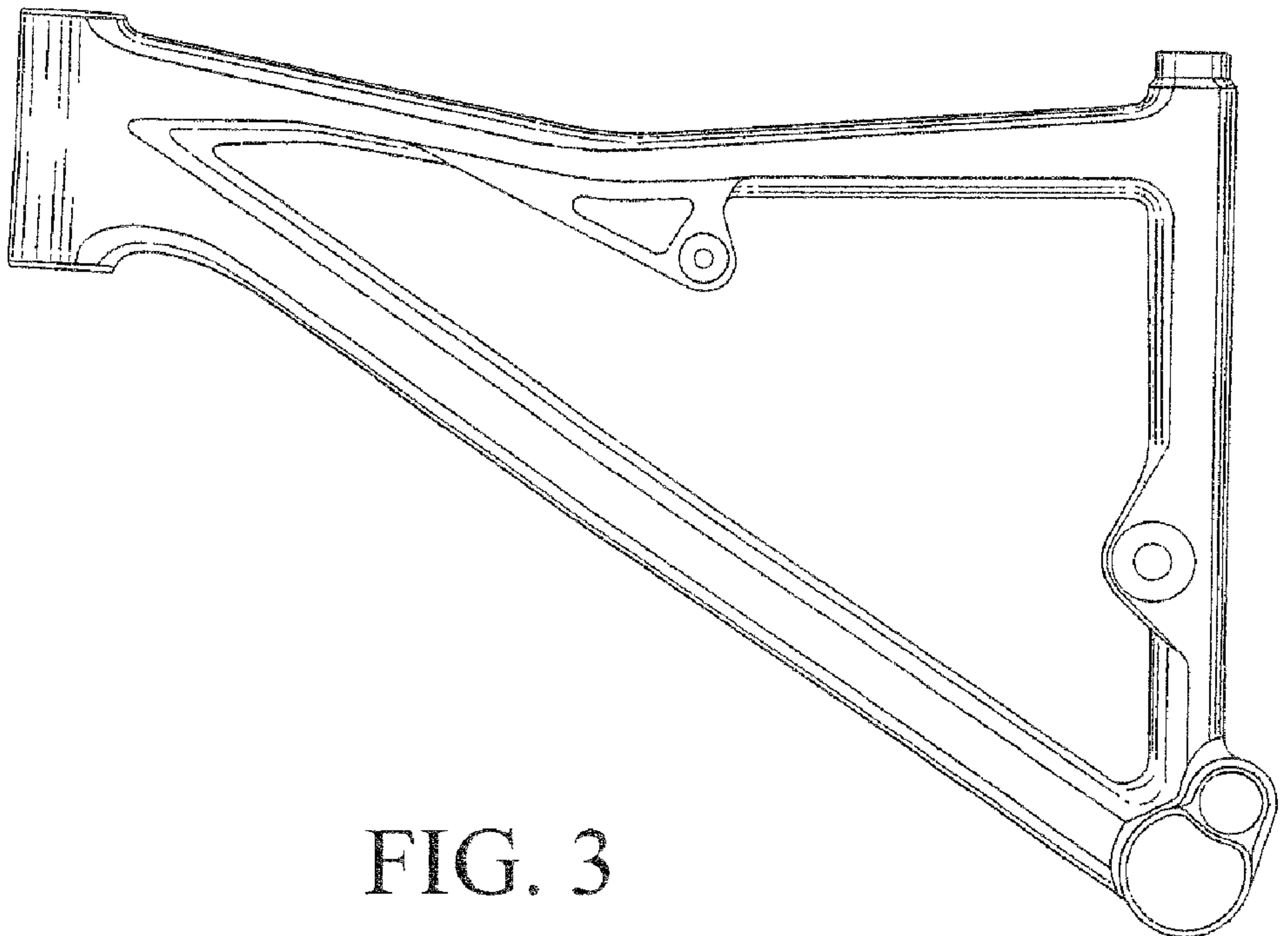


FIG. 3

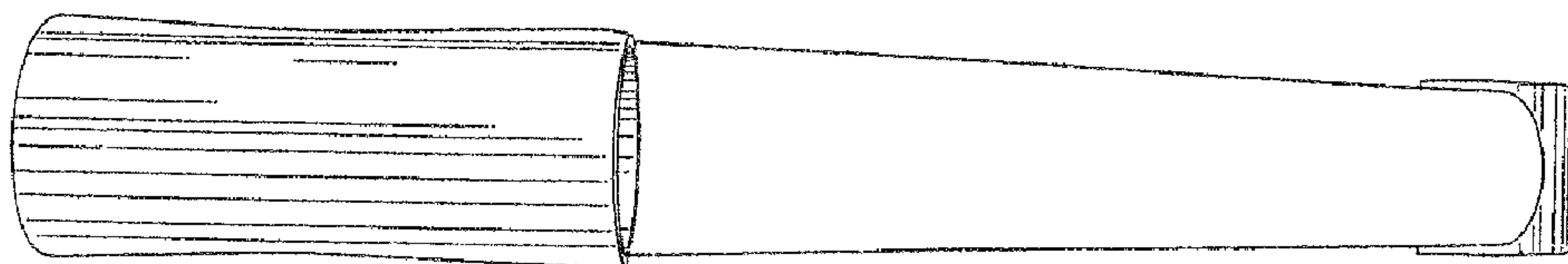


FIG. 4

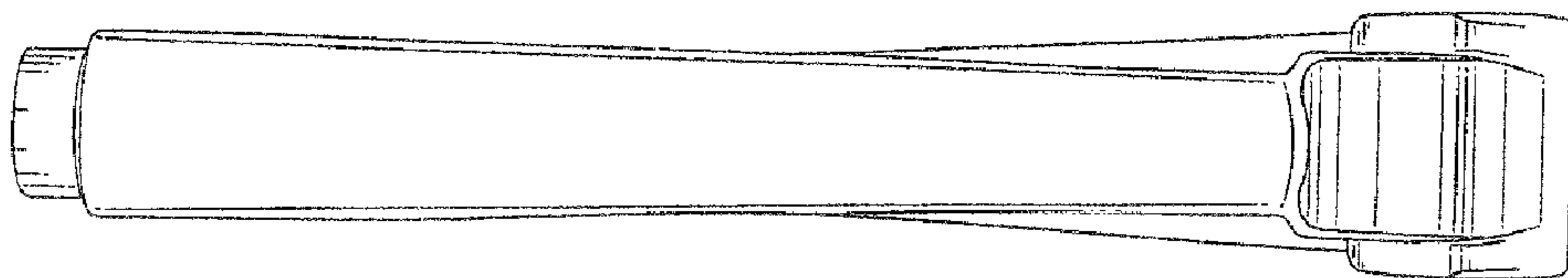


FIG. 5

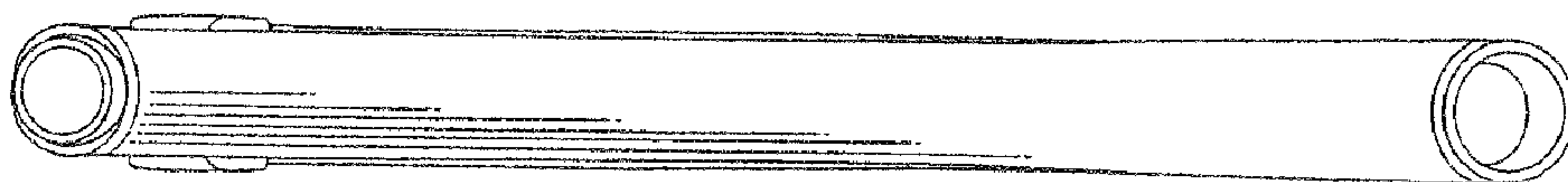


FIG. 6

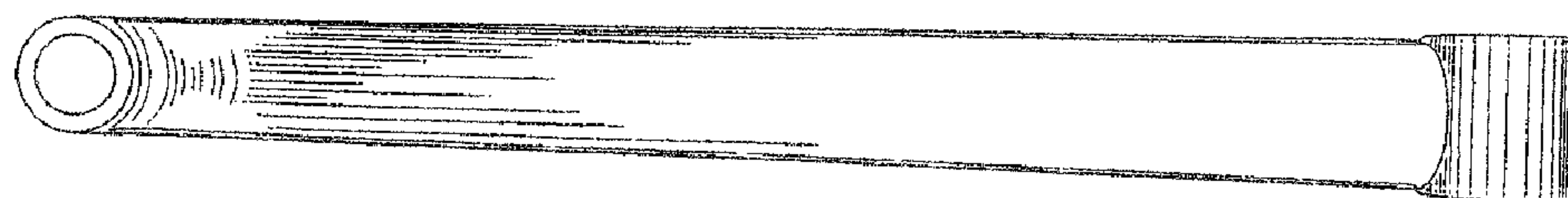


FIG. 7