



US00D588503S

(12) **United States Design Patent**
Idei et al.

(10) **Patent No.:** **US D588,503 S**
(45) **Date of Patent:** **** Mar. 17, 2009**

(54) **MOTORCYCLE**

D506,163 S * 6/2005 Uemoto D12/110

(75) Inventors: **Shoji Idei**, Kakogawa (JP); **Seichi Ino**,
Kakogawa (JP); **Shunji Tanaka**, Kobe
(JP)

FOREIGN PATENT DOCUMENTS

JP D1142695 4/2002

* cited by examiner

(73) Assignee: **Kawasaki Jukogyo Kabushiki Kaisha**,
Hyogo (JP)

Primary Examiner—Cathron C Brooks
Assistant Examiner—Linda Brooks

(**) Term: **14 Years**

(57) **CLAIM**

(21) Appl. No.: **29/273,806**

The ornamental design for a motorcycle, as shown and described.

(22) Filed: **Mar. 13, 2007**

(30) **Foreign Application Priority Data**

DESCRIPTION

Sep. 19, 2006 (JP) 2006-024957

FIG. 1 is a front elevational view of a motorcycle showing our new design;

(51) **LOC (9) Cl.** **12-11**

FIG. 2 is a rear elevational view thereof;

(52) **U.S. Cl.** **D12/110**

FIG. 3 is a left side elevational view thereof;

(58) **Field of Classification Search** D12/110;
180/219

FIG. 4 is a right side elevational view thereof;

See application file for complete search history.

FIG. 5 is a top plan view thereof;

FIG. 6 is a bottom plan view thereof,

(56) **References Cited**

FIG. 7 is a front perspective view thereof; and,

FIG. 8 is a rear perspective view thereof.

U.S. PATENT DOCUMENTS

D401,892 S * 12/1998 Sugimoto D12/110

D407,047 S * 3/1999 Otsubo et al. D12/110

1 Claim, 8 Drawing Sheets

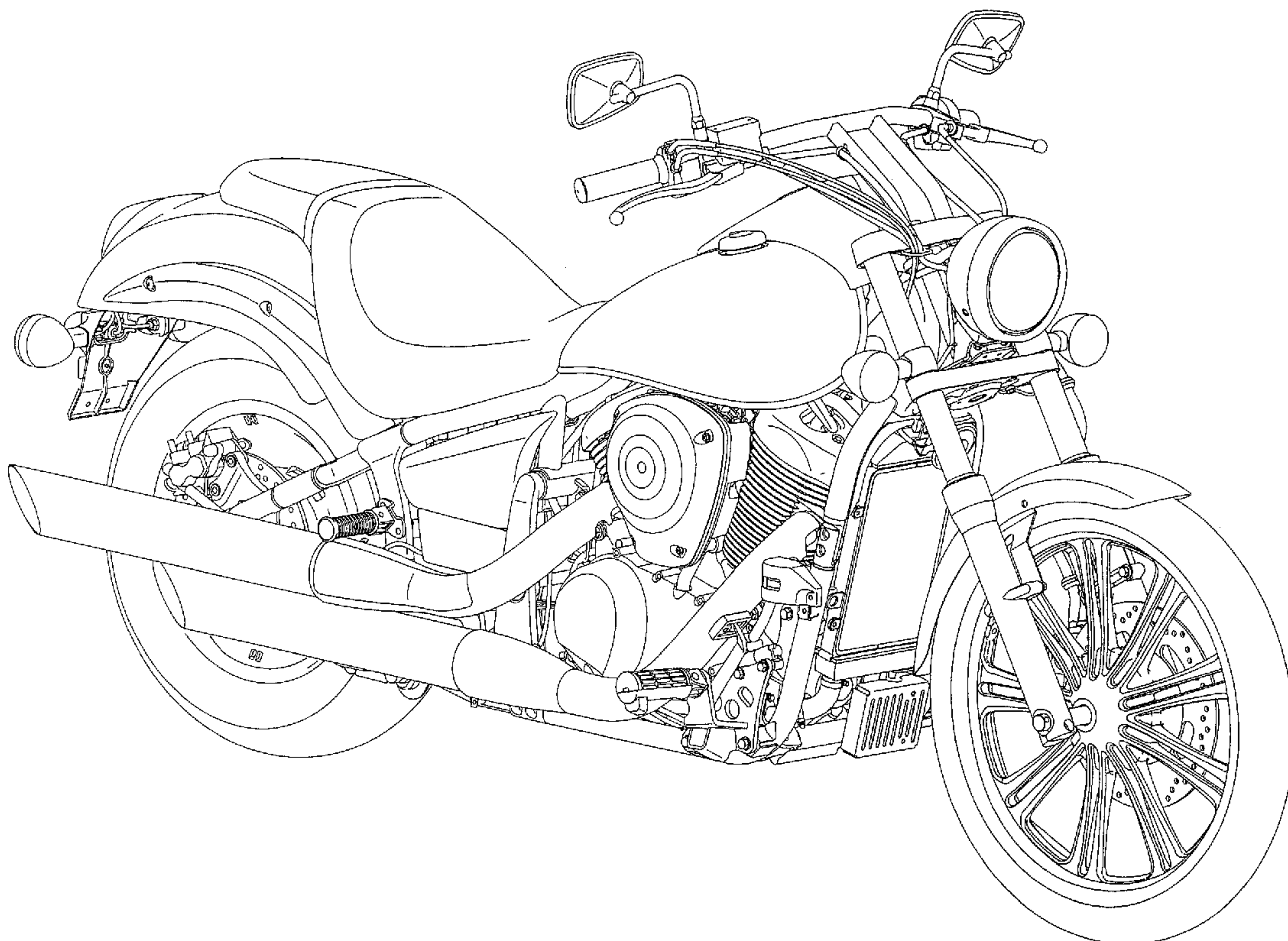


Fig.1

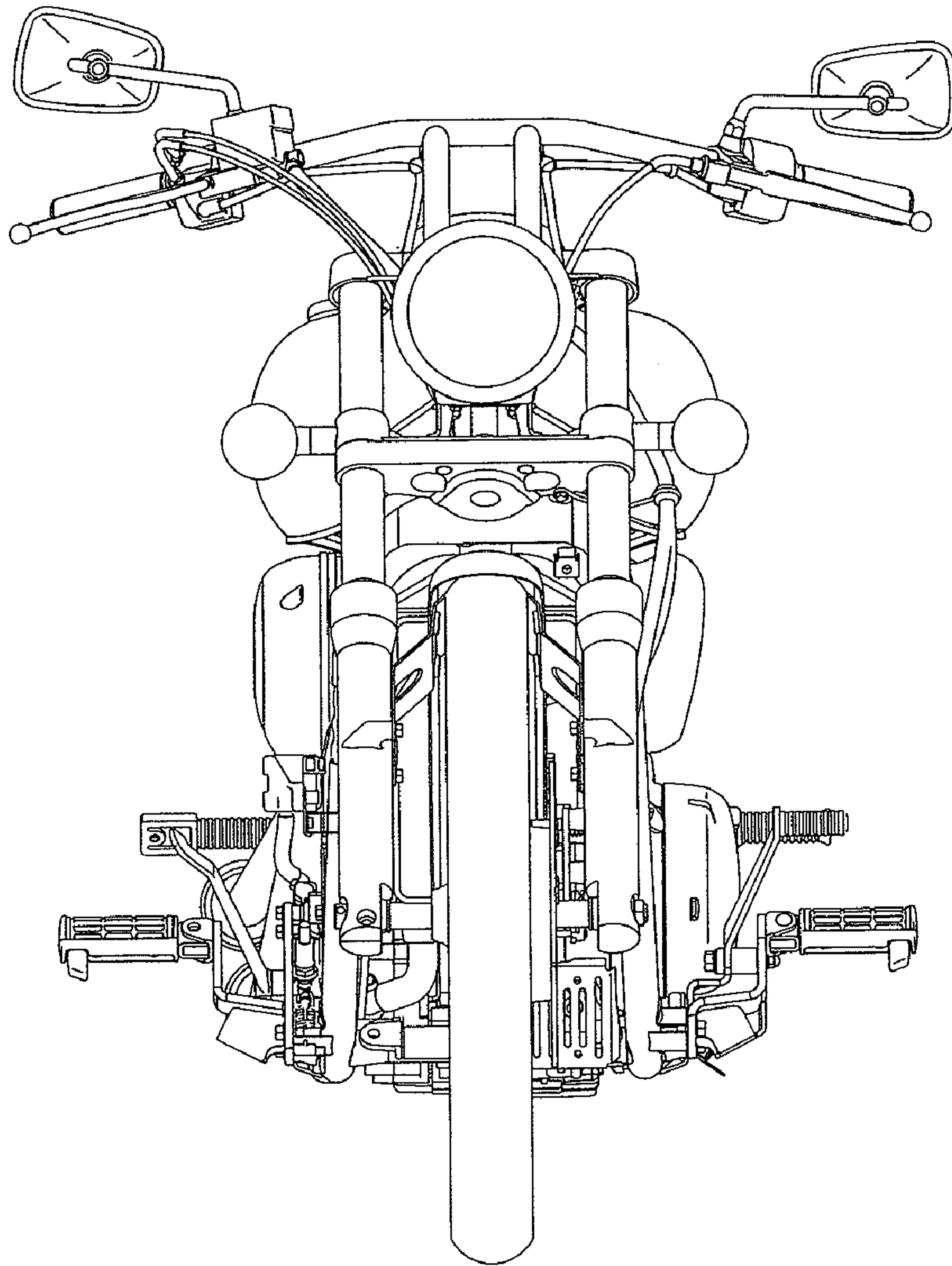
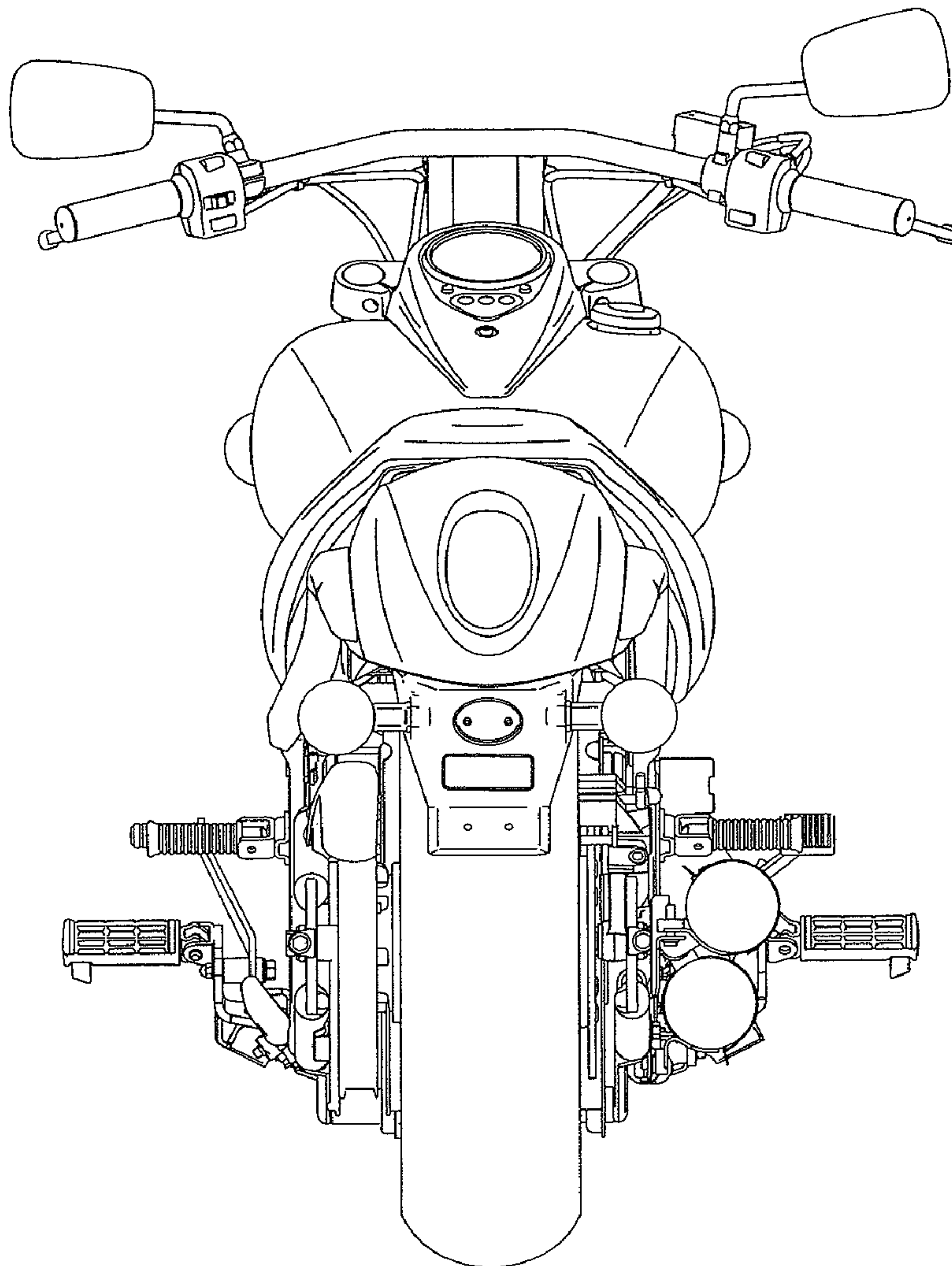


Fig.2



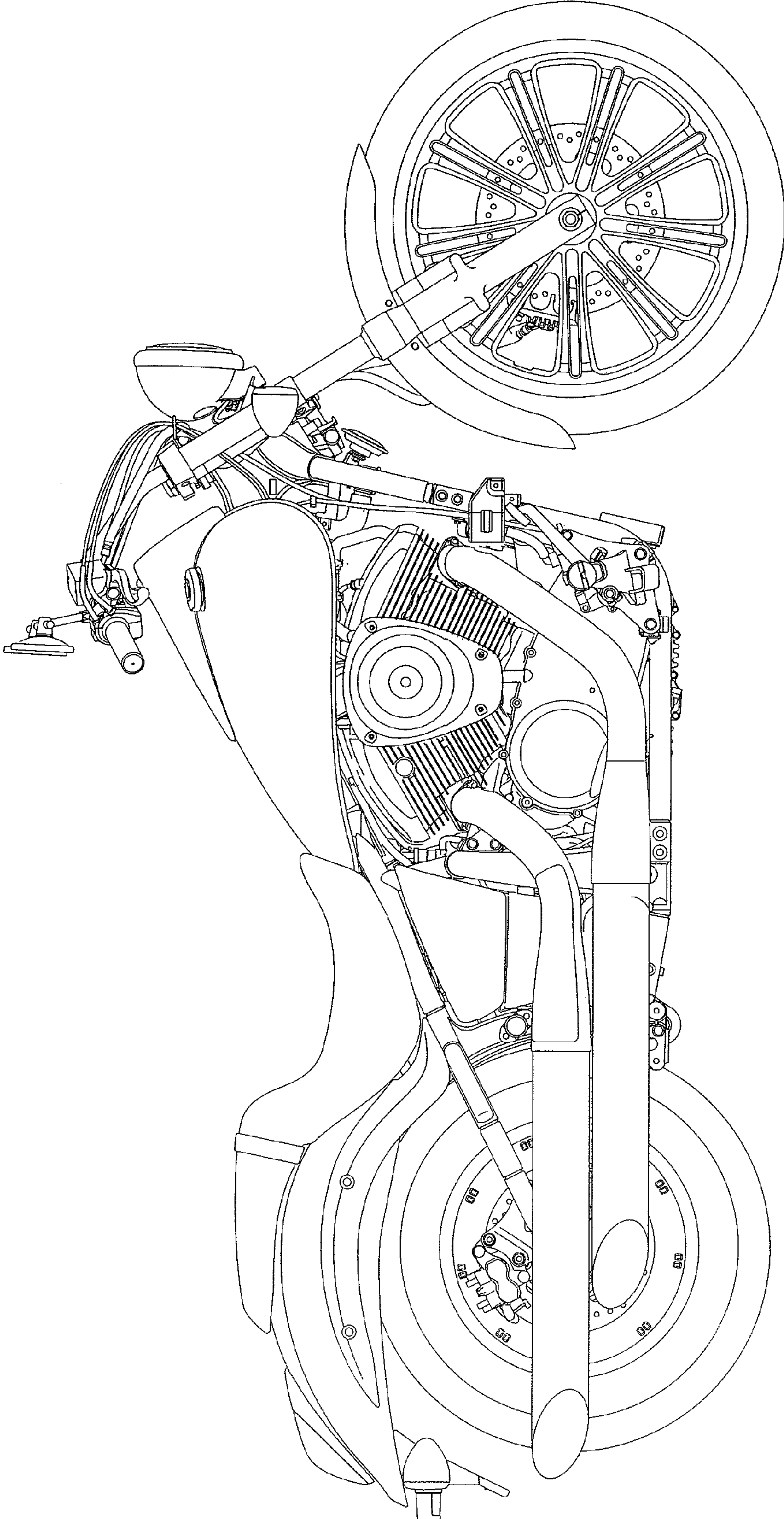


Fig. 3

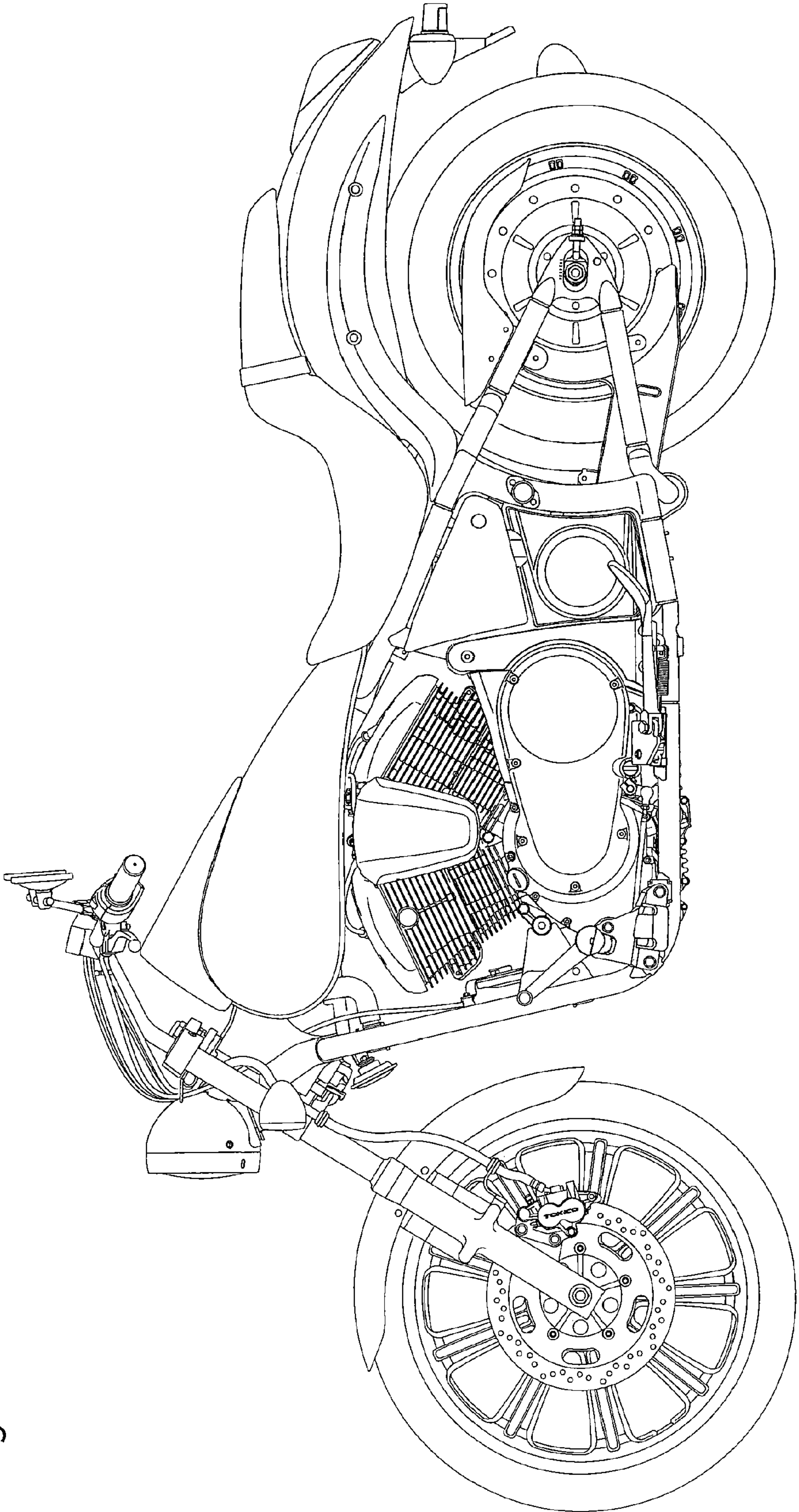


Fig. 4

Fig. 5

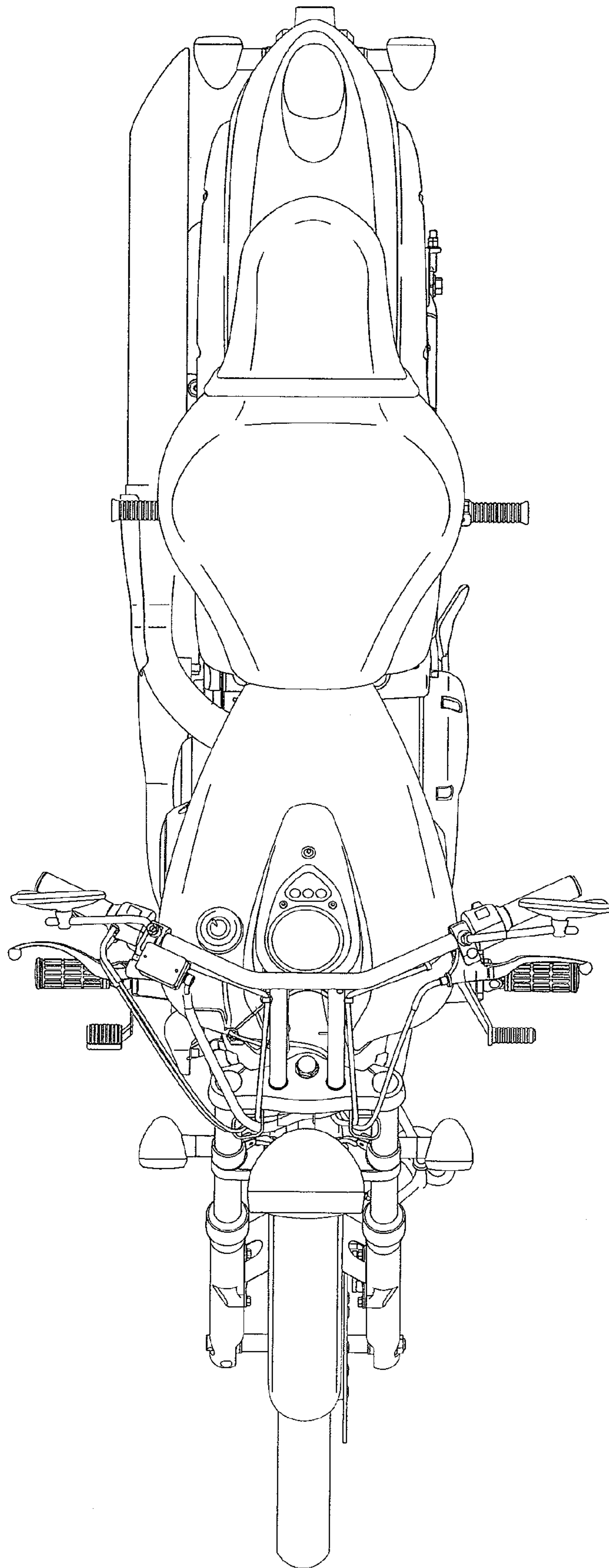
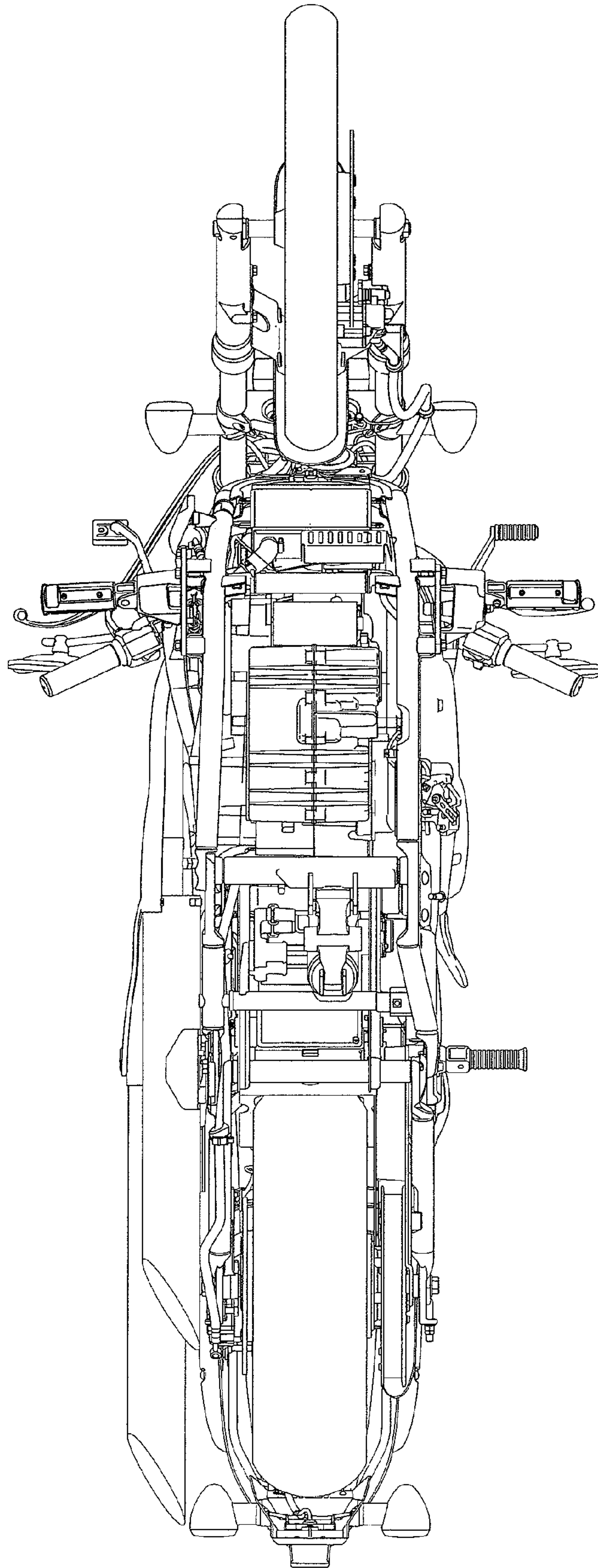


Fig. 6



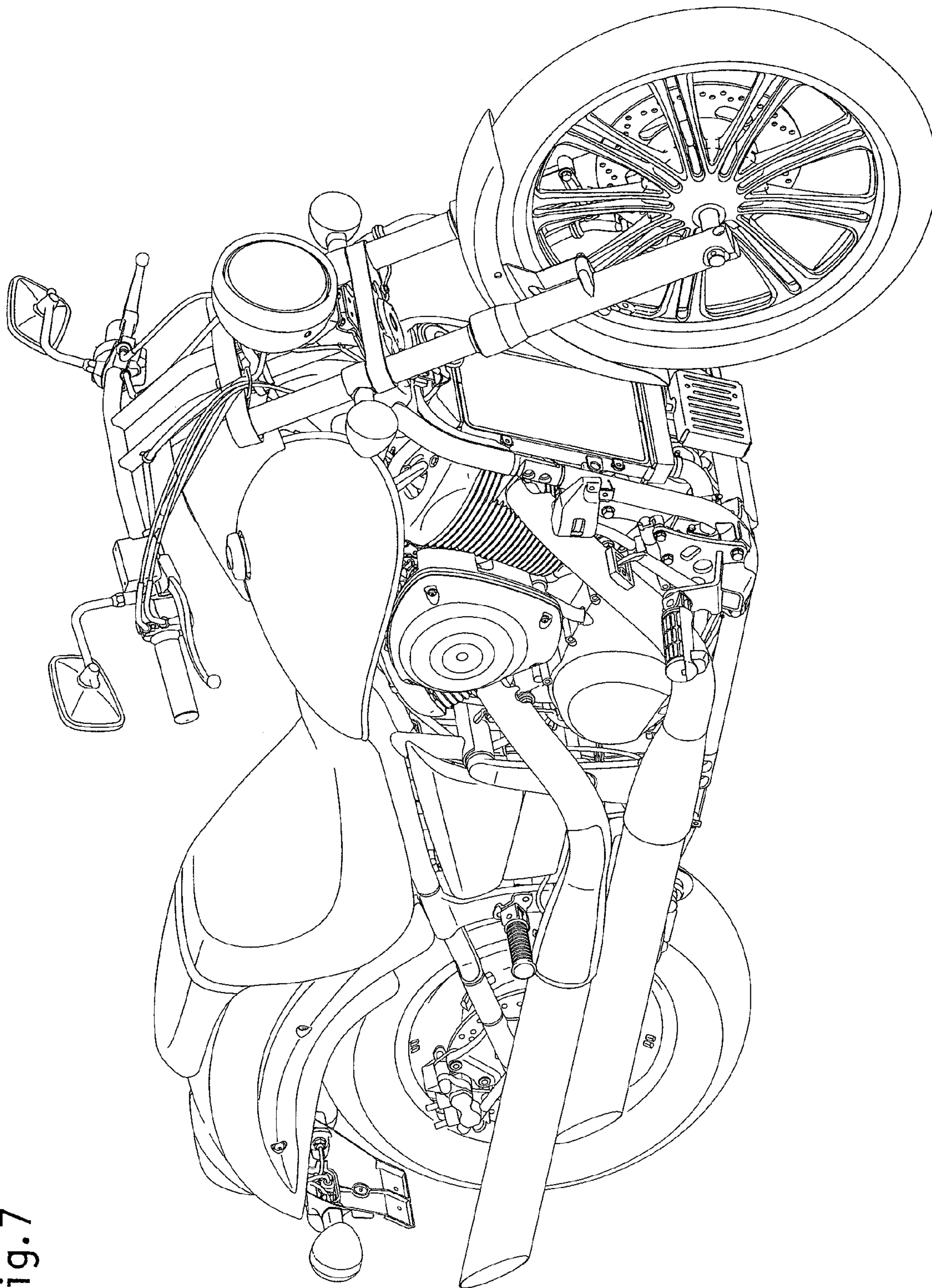


Fig. 7

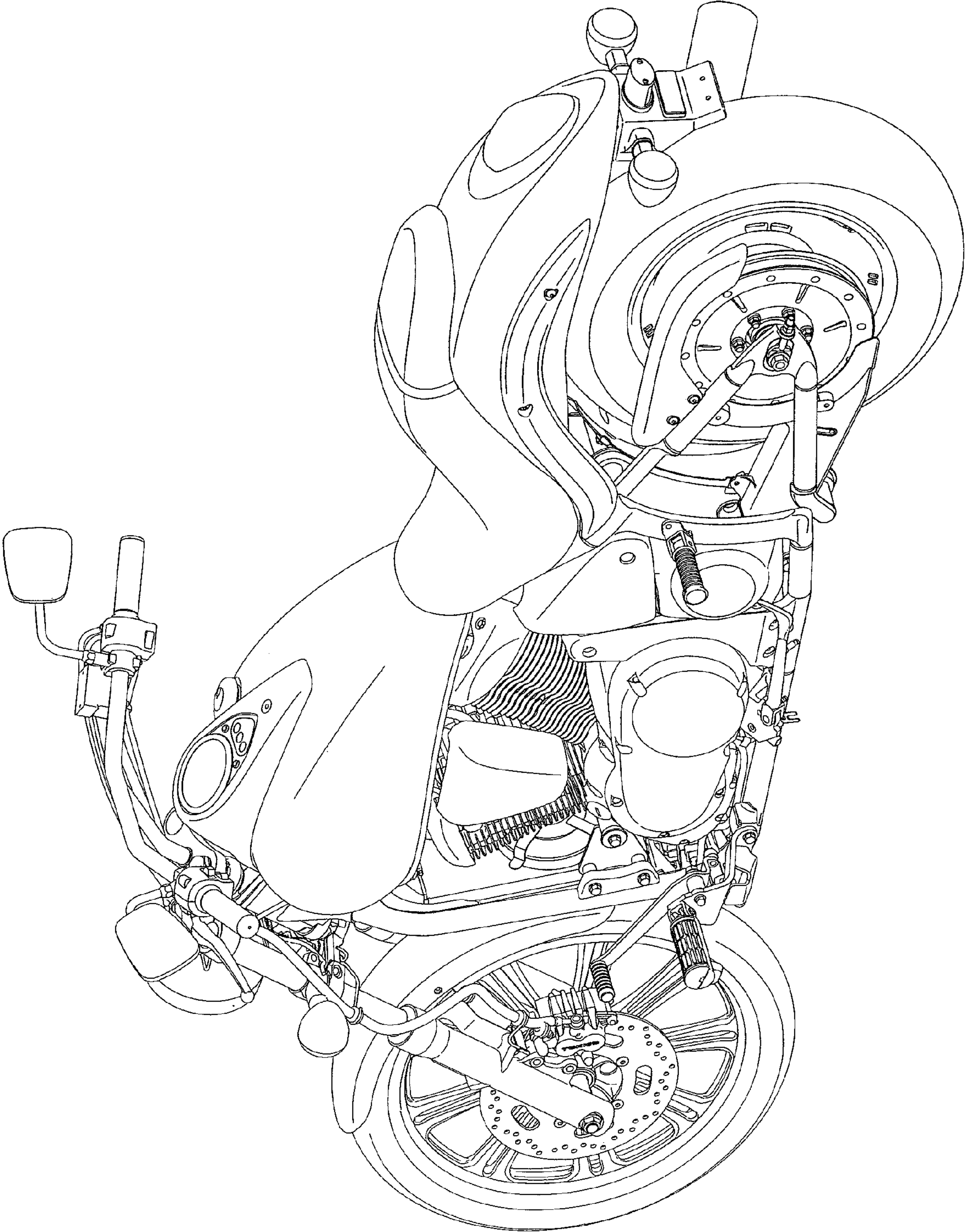


Fig.8