



US00D588502S

(12) **United States Design Patent**
Kume et al.

(10) **Patent No.:** **US D588,502 S**
(45) **Date of Patent:** **** Mar. 17, 2009**

(54) **MOTOR SCOOTER**

(75) Inventors: **Yasuo Kume**, Wako (JP); **Yuji Watanuki**, Wako (JP); **Yasushi Tateishi**, Wako (JP)

(73) Assignee: **Honda Motor Co., Ltd.**, Tokyo (JP)

(**) Term: **14 Years**

(21) Appl. No.: **29/253,251**

(22) Filed: **Feb. 3, 2006**

(30) **Foreign Application Priority Data**

Aug. 3, 2005 (JP) 2005-022513

(51) **LOC (9) Cl.** **12-11**

(52) **U.S. Cl.** **D12/110**

(58) **Field of Classification Search** D12/110;
180/219, 220, 225, 229

See application file for complete search history.

(56) **References Cited**

U.S. PATENT DOCUMENTS

D287,834 S * 1/1987 Ito et al. D12/110
D458,191 S 6/2002 Tateishi
6,644,693 B2 * 11/2003 Michisaka et al. 280/835
D490,750 S * 6/2004 Hoshino D12/110

D514,987 S * 2/2006 Hsiao D12/110

* cited by examiner

Primary Examiner—Cathron Brooks

Assistant Examiner—Linda Brooks

(74) *Attorney, Agent, or Firm*—Birch, Stewart, Kolasch & Birch, LLP

(57) **CLAIM**

The ornamental design for a motor scooter, as shown and described.

DESCRIPTION

FIG. 1 is a perspective view of the front and right side of a motor scooter showing our new design;

FIG. 2 is a perspective view of the rear and left side thereof;

FIG. 3 is a right side elevational view thereof;

FIG. 4 is a left side elevational view thereof;

FIG. 5 is a front elevational view thereof;

FIG. 6 is a rear elevational view thereof;

FIG. 7 is a top plan view thereof; and,

FIG. 8 is a bottom plan view thereof.

The portions shown in broken lines form no part of the claimed design.

1 Claim, 8 Drawing Sheets

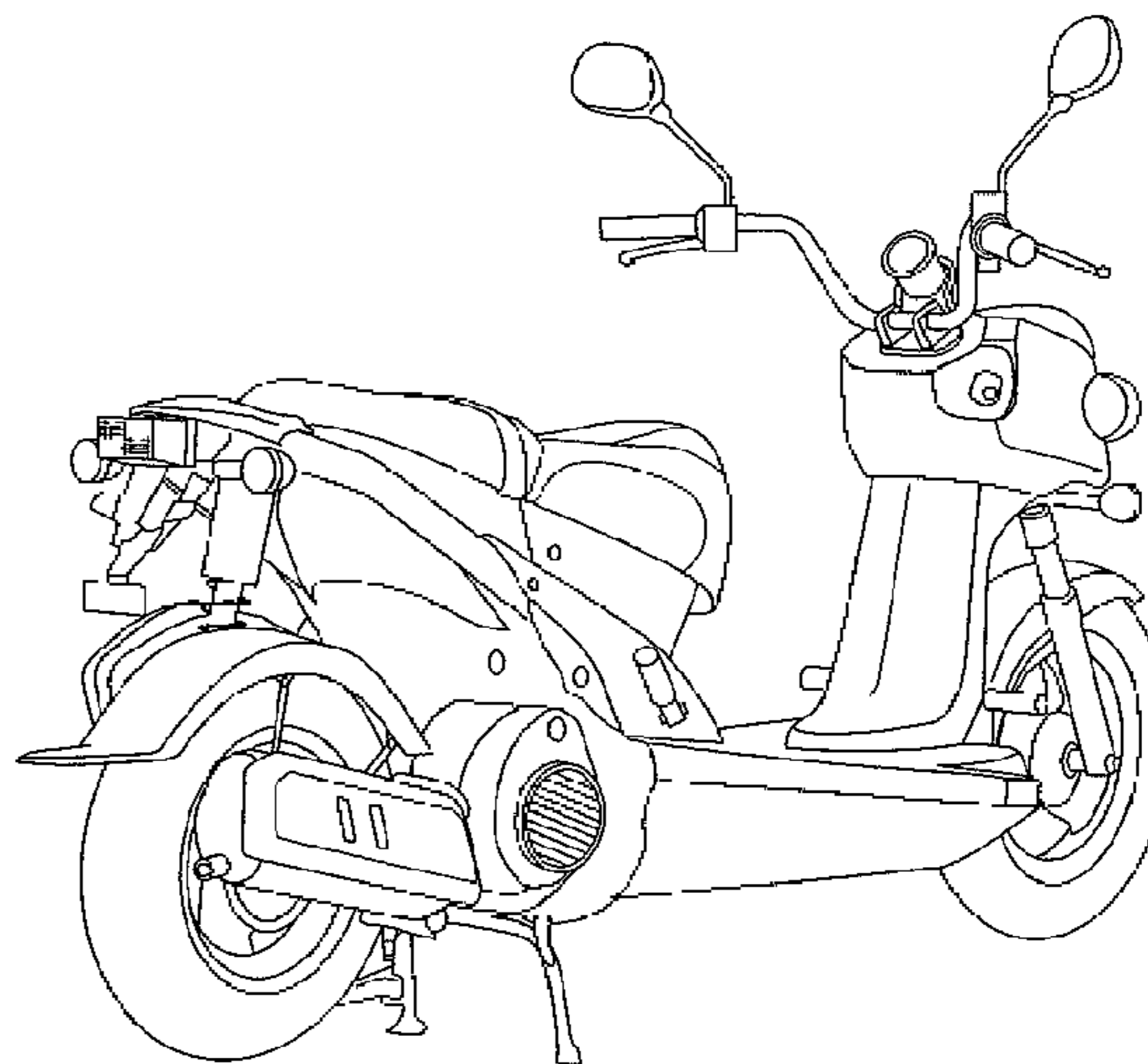
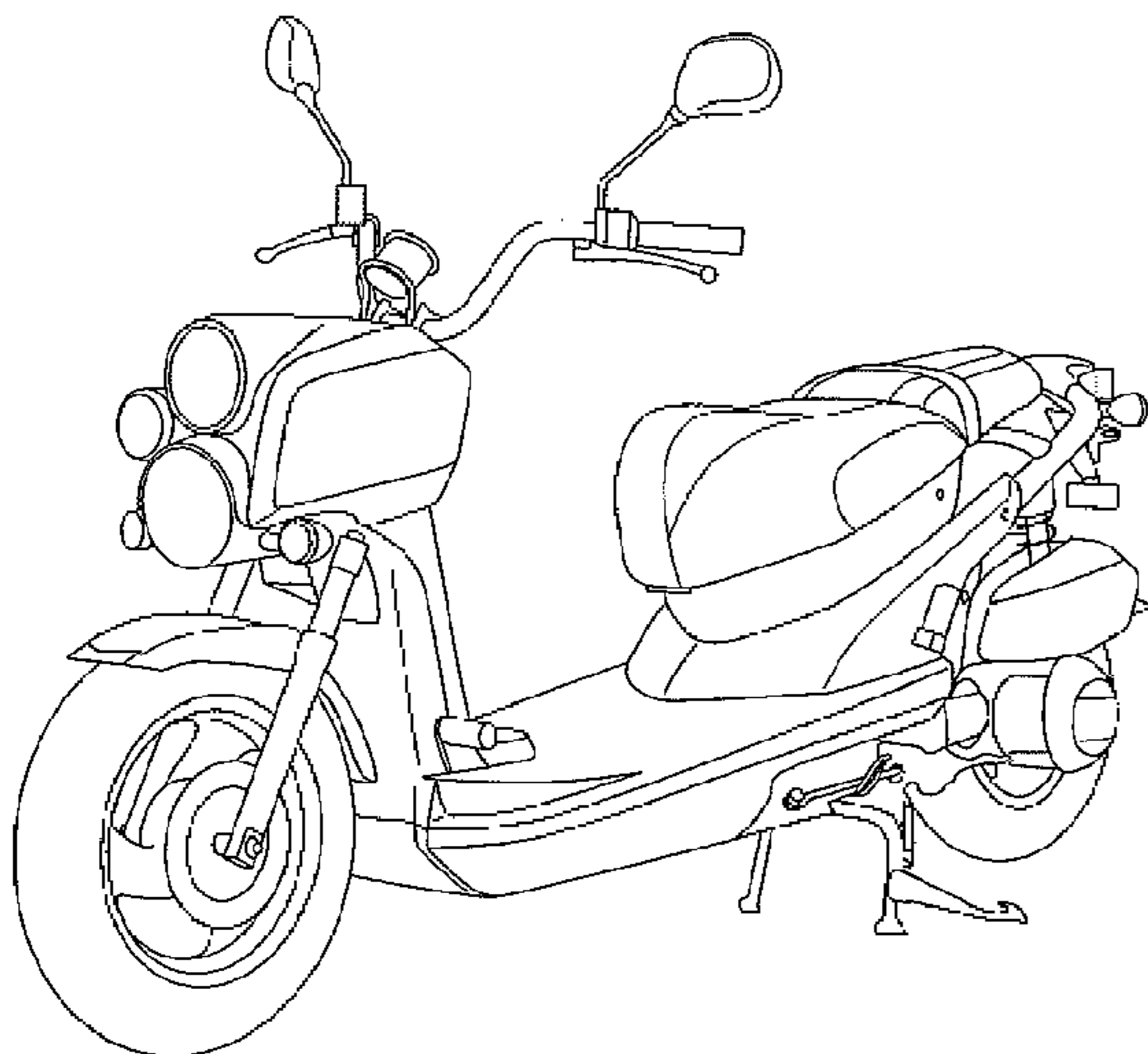


FIG. 1

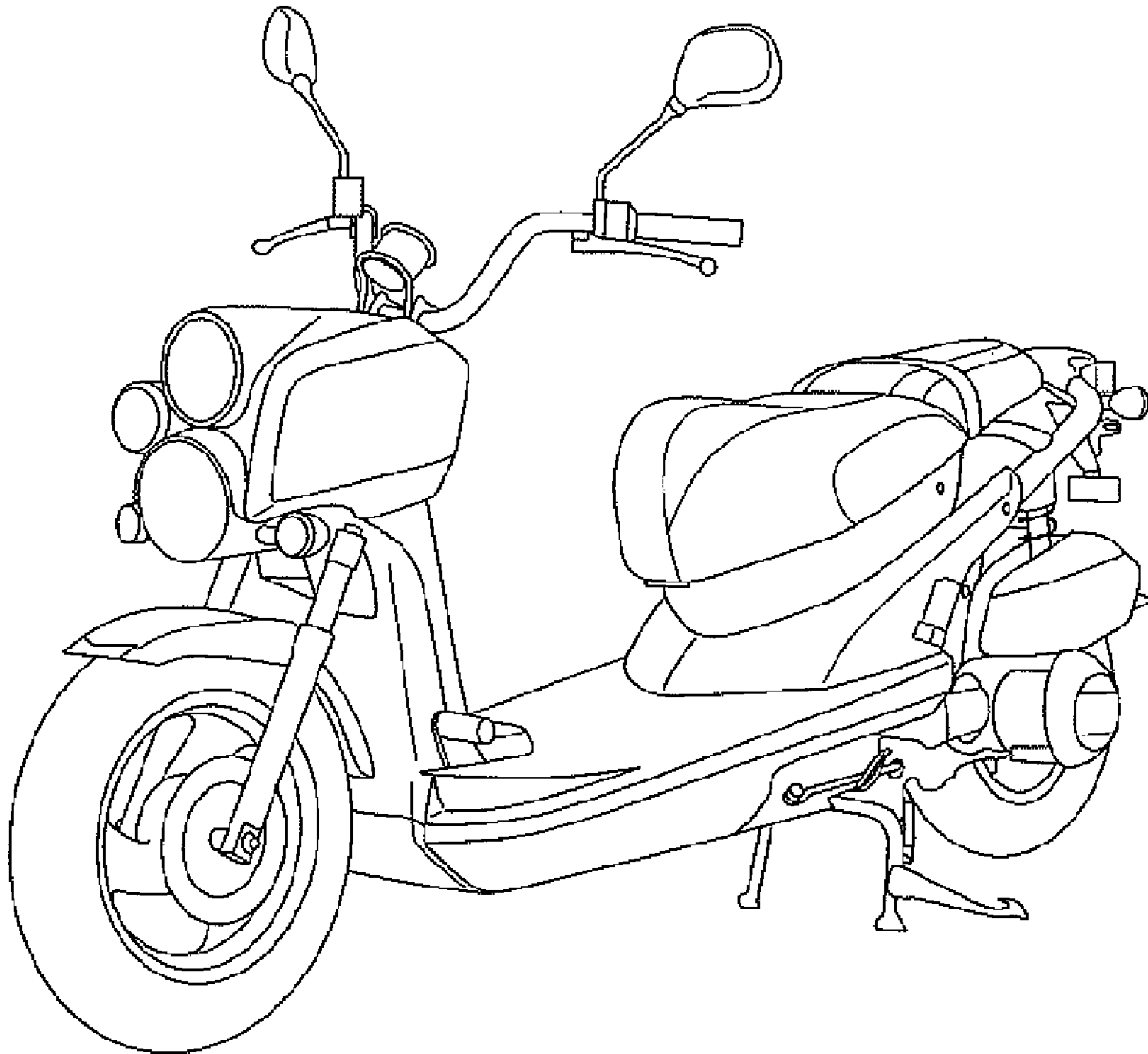


FIG. 2

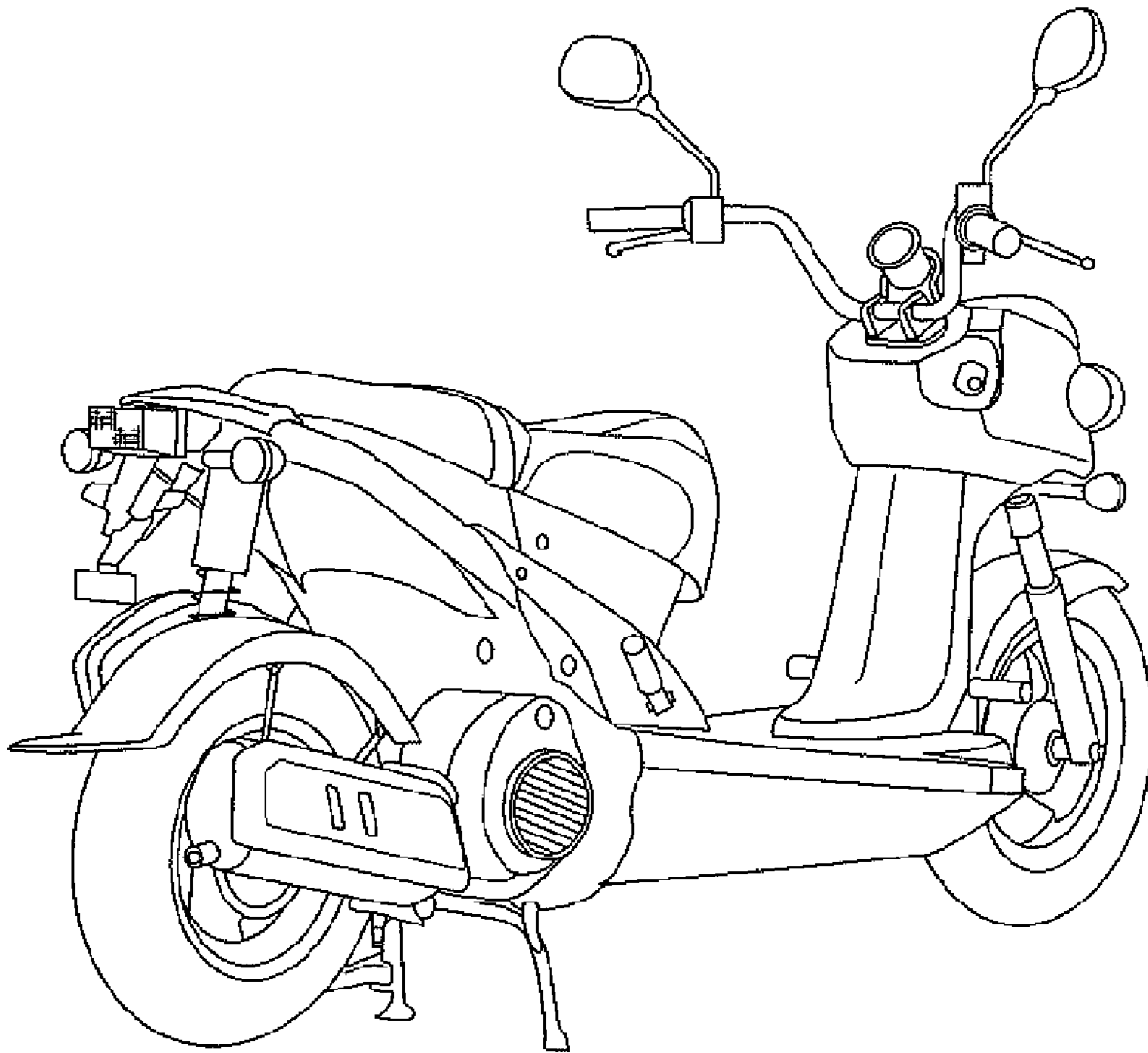


FIG. 3

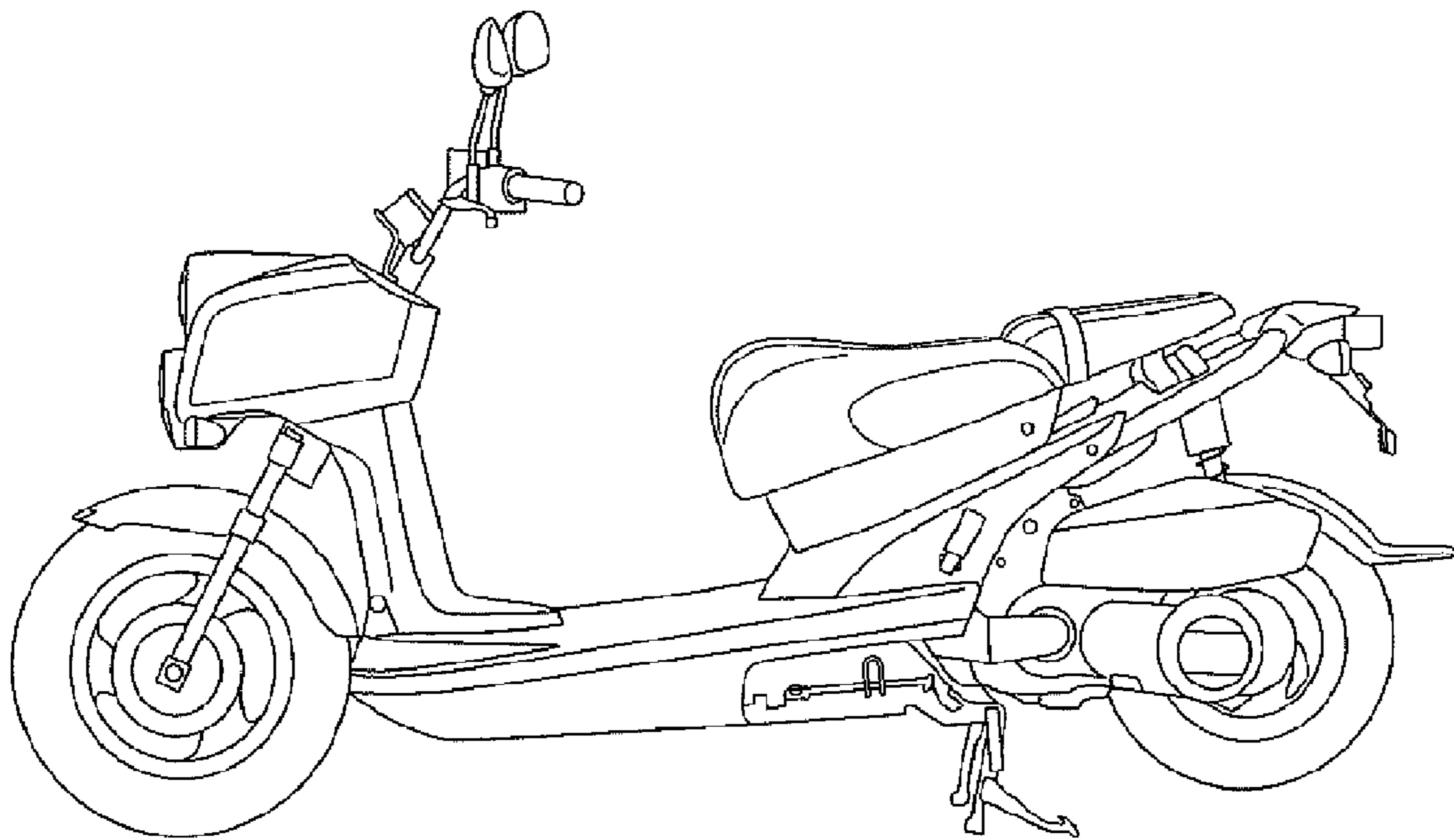


FIG. 4

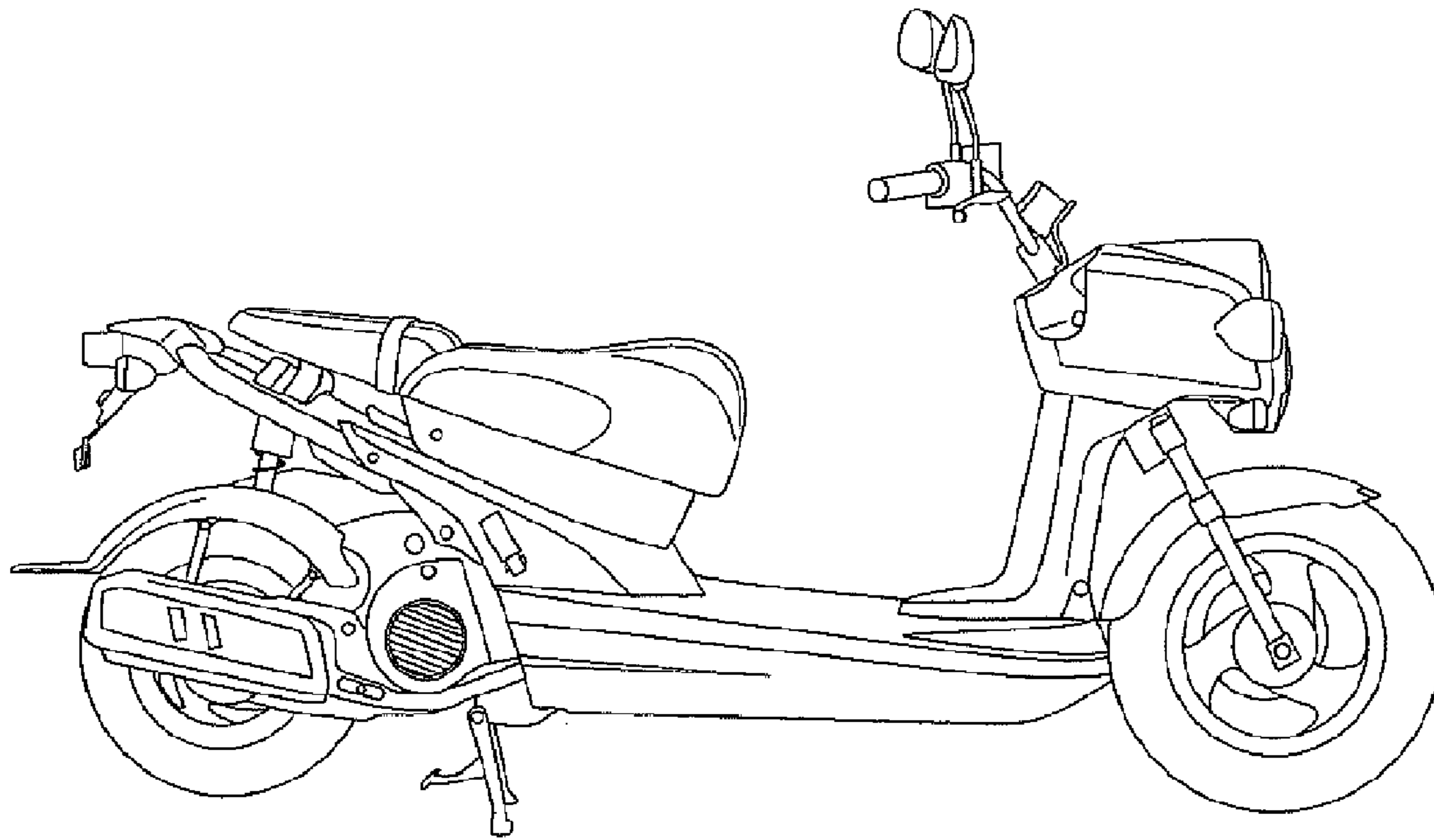


FIG. 5

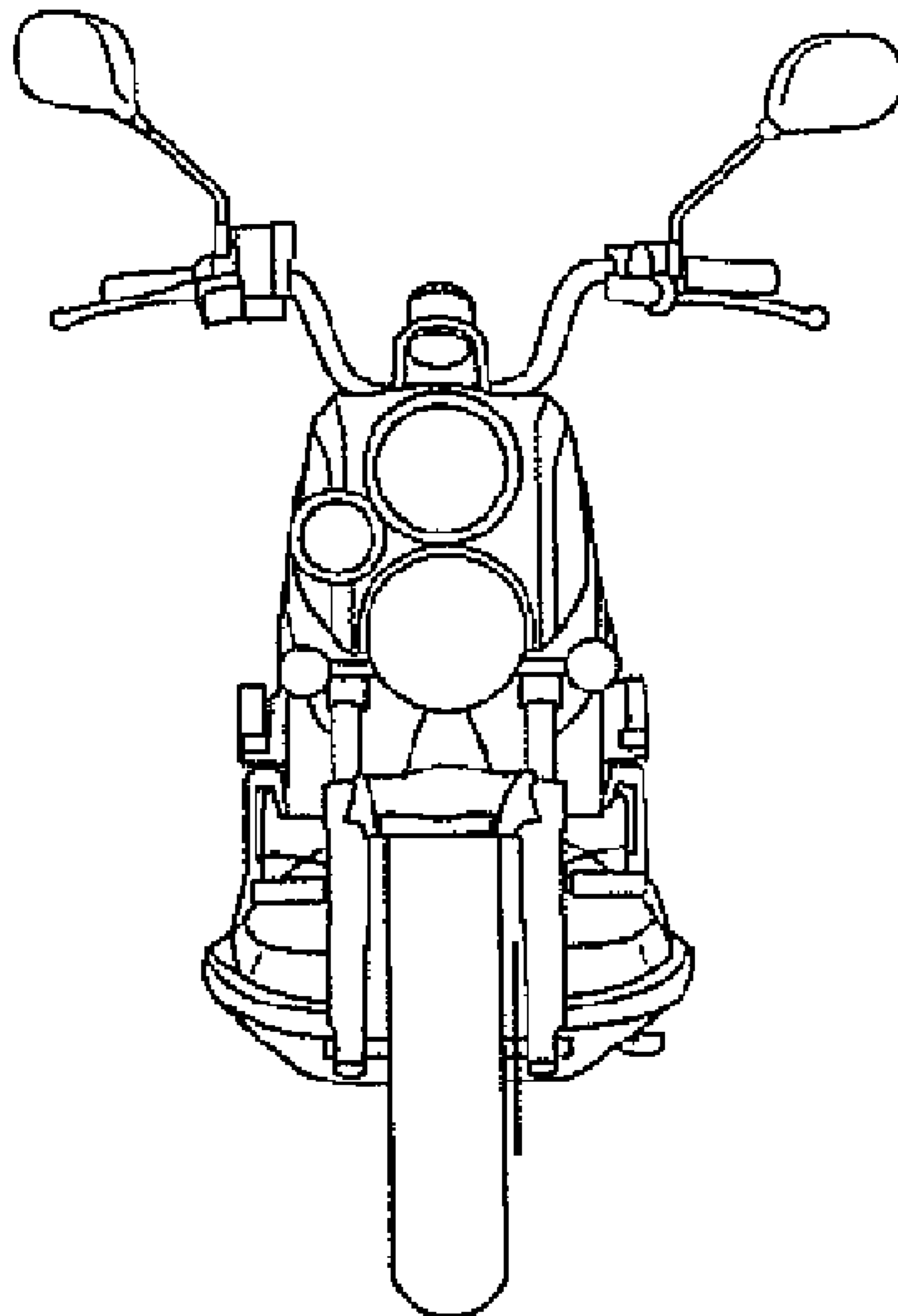


FIG. 6

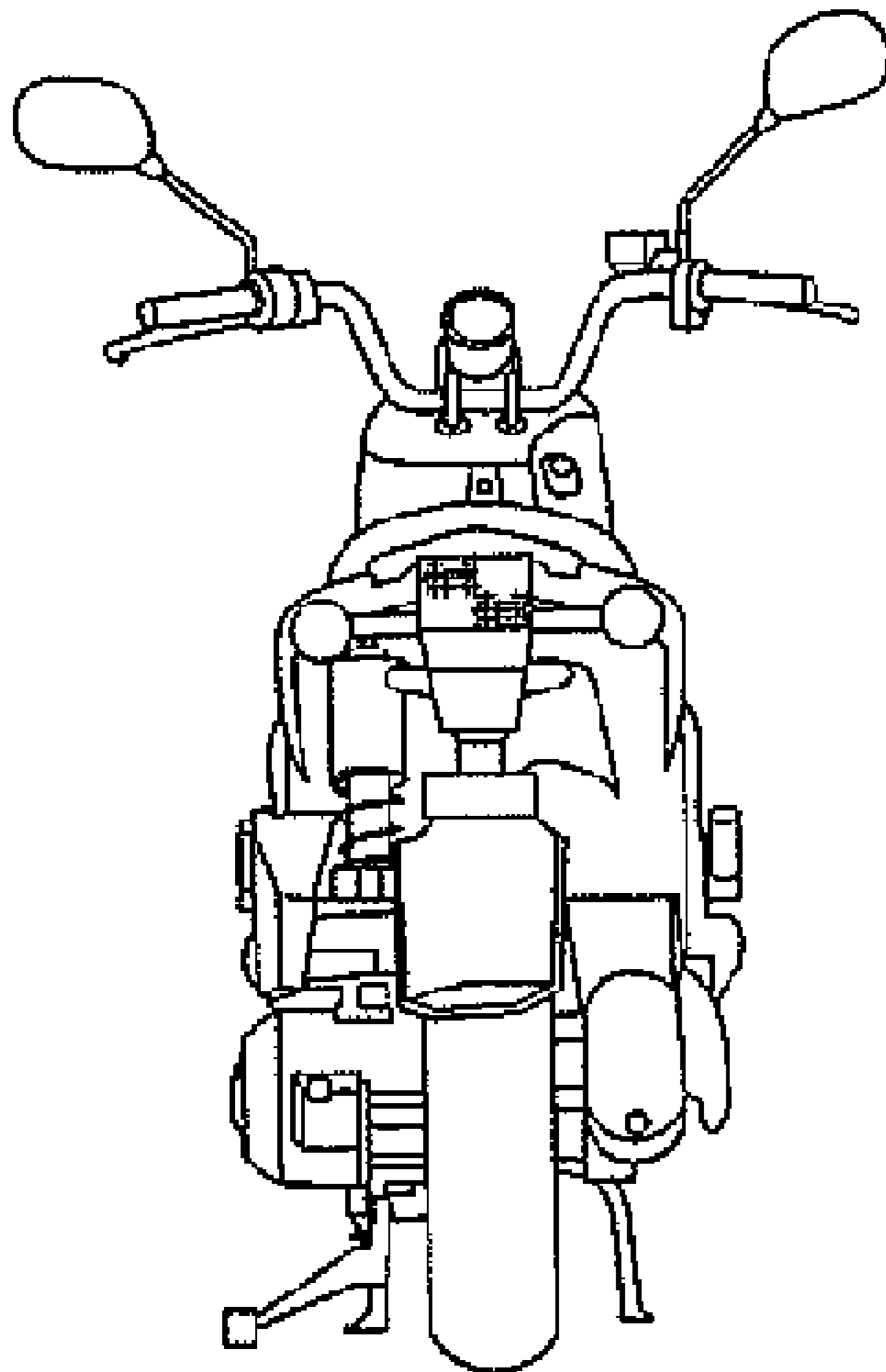


FIG. 7

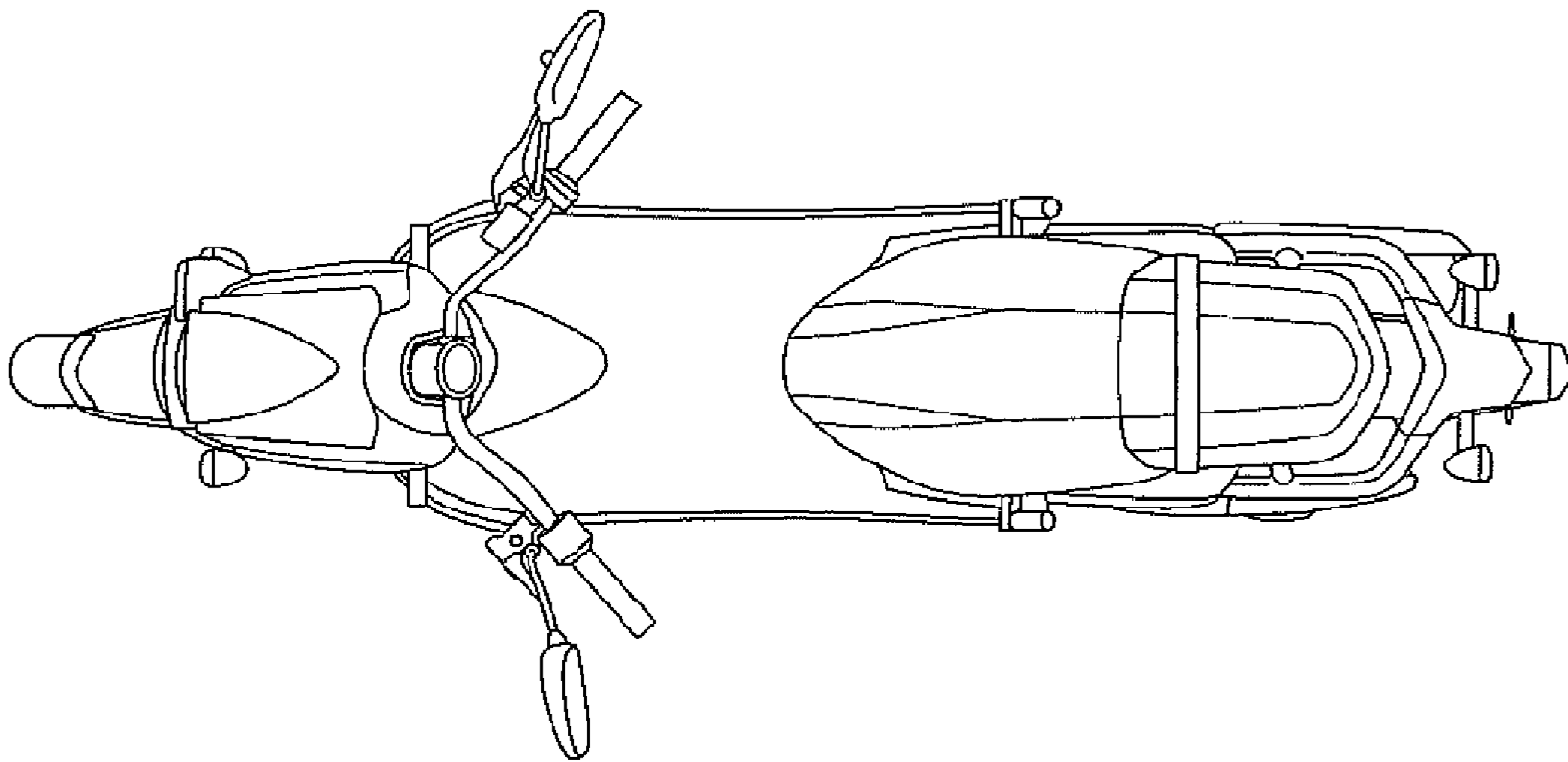


FIG. 8

