



US00D588498S

(12) **United States Design Patent**
Davidson

(10) **Patent No.:** **US D588,498 S**
(45) **Date of Patent:** **** Mar. 17, 2009**

(54) **PORTION OF A CLIP FOR A RESPIRATORY MASK**

(75) Inventor: **Aaron Samuel Davidson**, Newport (AU)

(73) Assignee: **ResMed Limited**, Bella Vista (AU)

(**) Term: **14 Years**

(21) Appl. No.: **29/272,801**

(22) Filed: **Feb. 20, 2007**

Related U.S. Application Data

(63) Continuation of application No. 29/251,711, filed on Jan. 12, 2006, now Pat. No. Des. 558,334.

(51) **LOC (9) Cl.** **02-07**

(52) **U.S. Cl.** **D11/216; D24/110.1**

(58) **Field of Classification Search** D24/110.1,
D24/129; D11/216, 218; 128/207.11, 206.27;
24/625, 424, 415, 416, 417, 418, 419, 420;
2/421, 422, 424

See application file for complete search history.

(56) **References Cited**

U.S. PATENT DOCUMENTS

4,712,280	A *	12/1987	Fildan	24/625
5,546,642	A *	8/1996	Anscher	24/625
5,987,652	A *	11/1999	Fowler	2/424
D430,663	S	9/2000	Smart		
D464,427	S	10/2002	Smart		
D464,728	S	10/2002	Paul		
D471,131	S *	3/2003	Kawamura	D11/216
D471,486	S *	3/2003	Uehara et al.	D11/216
D490,343	S *	5/2004	Guney et al.	D11/216
D493,885	S	8/2004	Raje		

D500,706	S *	1/2005	Guney et al.	D11/216
6,860,269	B2	3/2005	Kwok et al.		
D515,204	S *	2/2006	Guney et al.	D24/110.1
D519,207	S	4/2006	Raje et al.		
D562,729	S *	2/2008	Hitchcock et al.	D11/218
2004/0118406	A1	6/2004	Lithgow et al.		
2005/0172969	A1	8/2005	Ging		

FOREIGN PATENT DOCUMENTS

WO WO 2005/021075 A1 3/2005

OTHER PUBLICATIONS

Parent U.S. Appl. No. 29/251,711, filed Jan. 12, 2006.

* cited by examiner

Primary Examiner—Ian Simmons

Assistant Examiner—Christopher Lee

(74) *Attorney, Agent, or Firm*—Nixon & Vanderhye P.C.

(57) **CLAIM**

The ornamental design for a portion of a clip for a respiratory mask, as shown and described.

DESCRIPTION

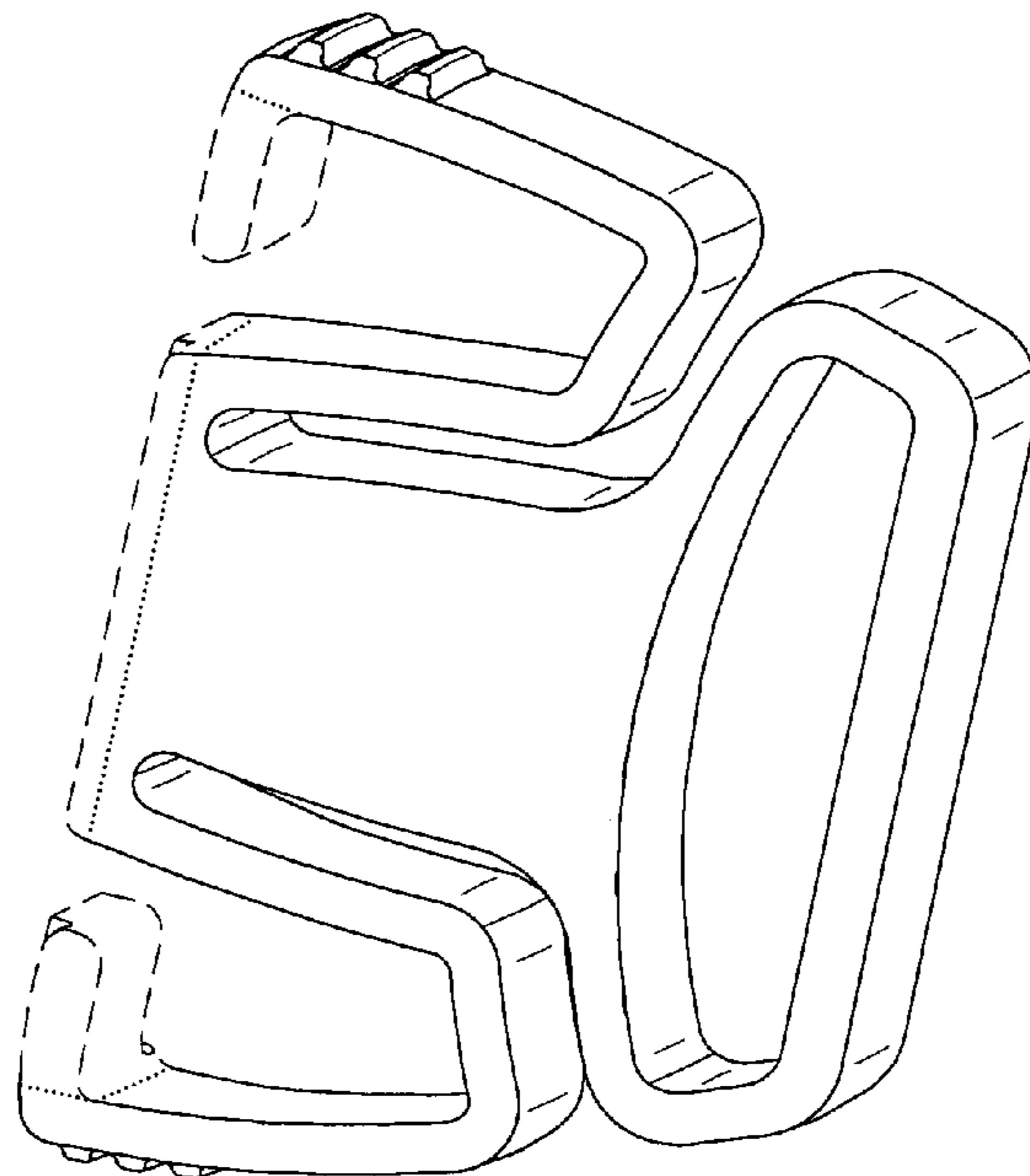
FIG. 1 is a front perspective view of a portion of a clip for a respiratory mask according to our design;

FIG. 2 is a front view thereof; and,

FIG. 3 is a right side view thereof.

Where included, broken lines showing environment or structure are for illustrative purposes only and form no part of the claimed design. Where included, dotted lines represent the border between claimed and non-claimed subject matter and form no part of the claimed design.

1 Claim, 2 Drawing Sheets



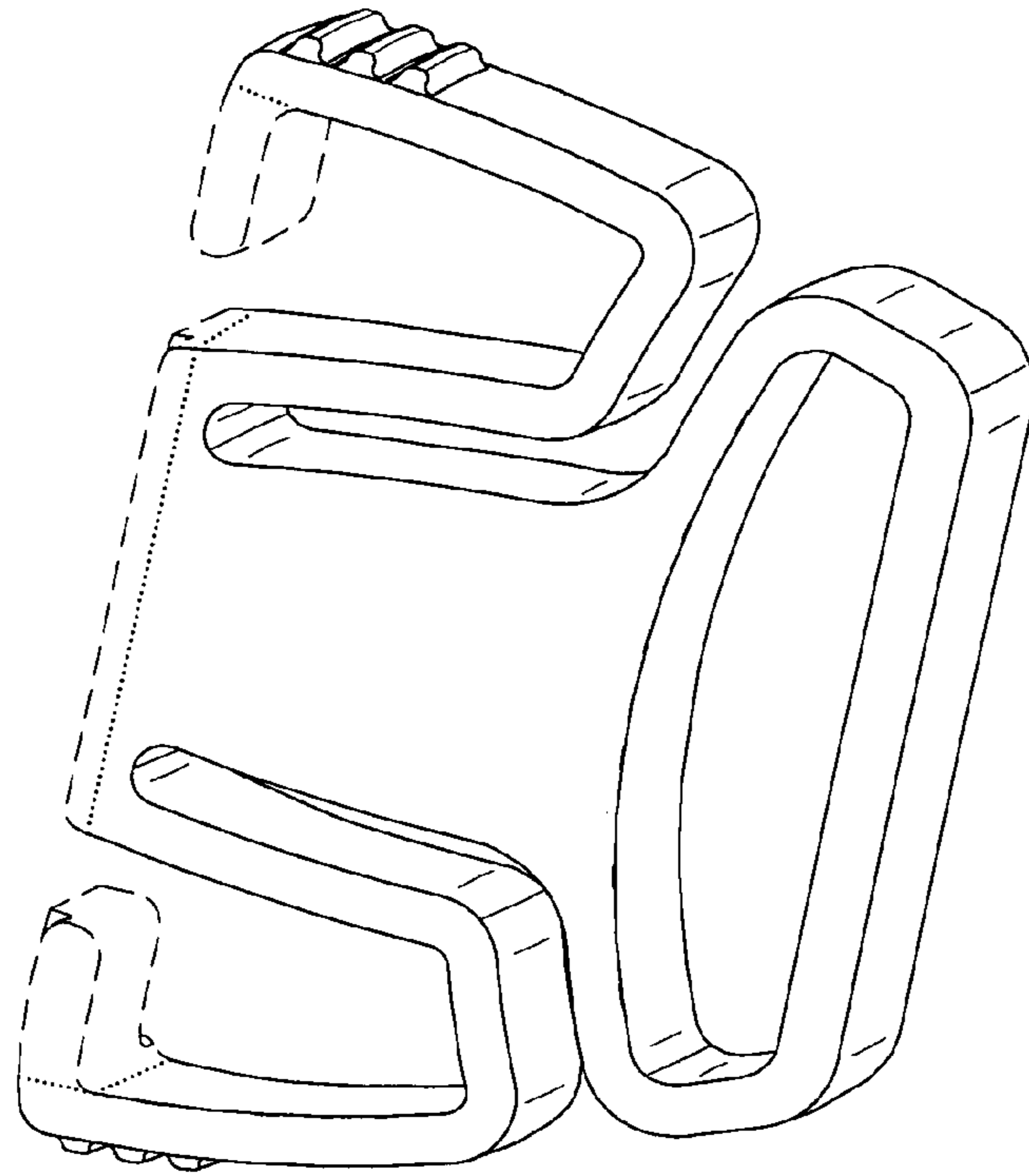


Fig. 1

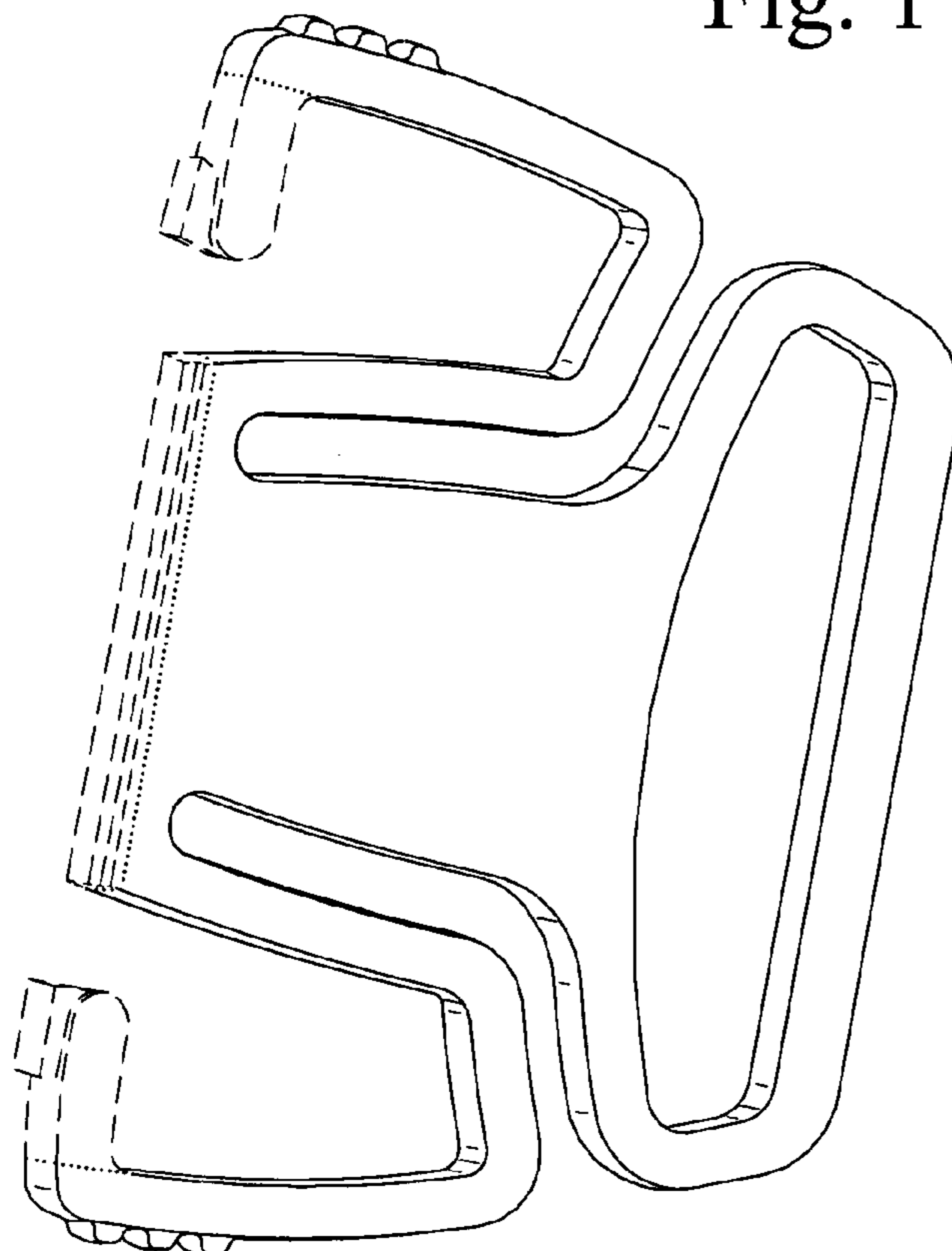


Fig. 2

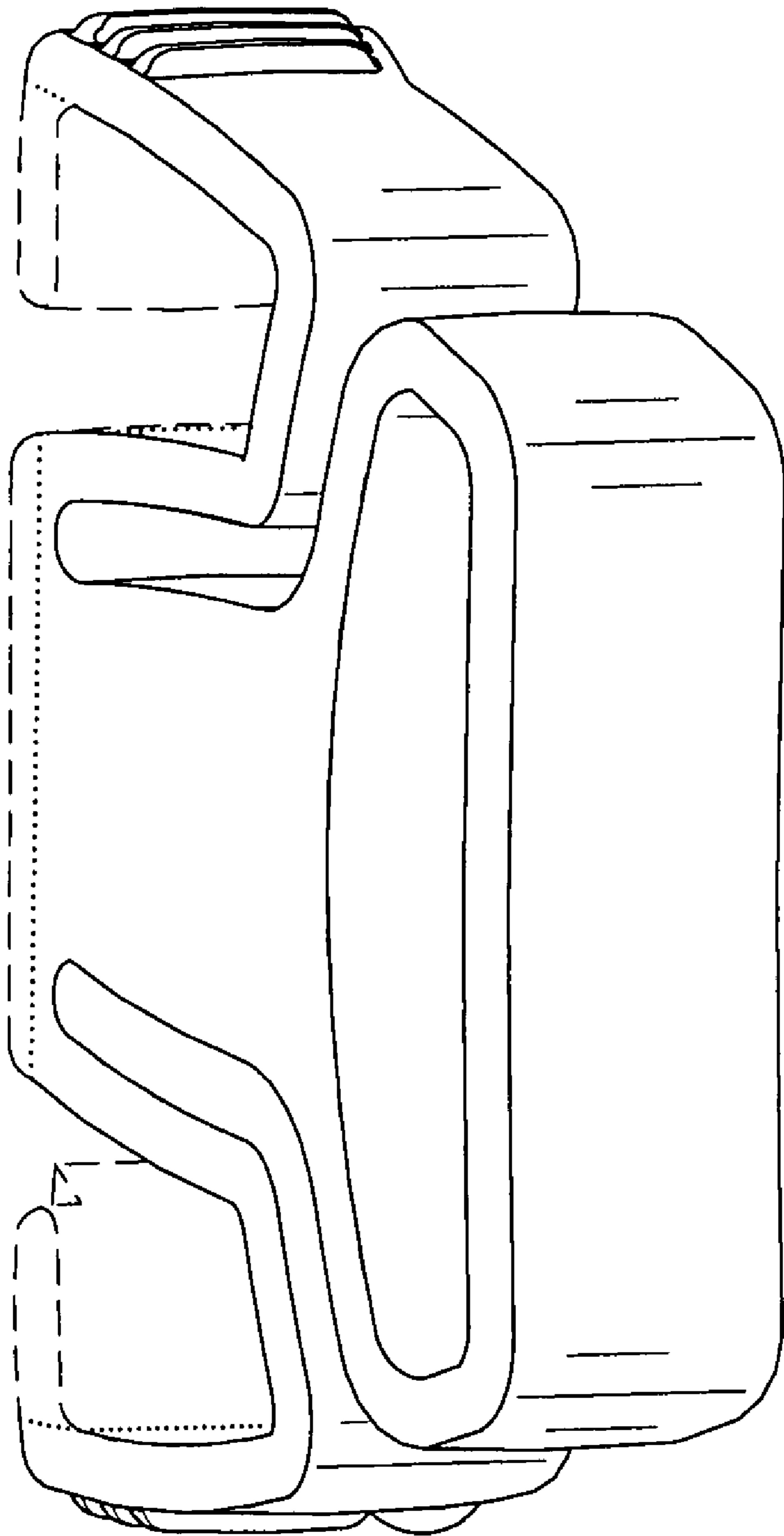


Fig. 3